



US00D758037S

(12) **United States Design Patent**  
**Madrid**

(10) **Patent No.:** **US D758,037 S**

(45) **Date of Patent:** **\*\* May 31, 2016**

(54) **DECORATIVE WASTEBASKET WITH  
INTERNAL SPACES**

*Primary Examiner* — Cynthia Ramirez

(74) *Attorney, Agent, or Firm* — Wayne J. Colton, Inc.

(71) Applicant: **James Madrid**, El Paso, TX (US)

(57) **CLAIM**

The ornamental design for a decorative wastebasket with internal spaces, as shown and described.

(72) Inventor: **James Madrid**, El Paso, TX (US)

(\*\*) Term: **14 Years**

**DESCRIPTION**

(21) Appl. No.: **29/516,400**

(22) Filed: **Feb. 2, 2015**

**Related U.S. Application Data**

(62) Division of application No. 13/919,661, filed on Jun. 17, 2013, now Pat. No. 8,944,274.

(51) **LOC (10) Cl.** ..... **09-09**

(52) **U.S. Cl.**  
USPC ..... **D34/8**

(58) **Field of Classification Search**  
USPC ..... D34/1–11; 220/908–913  
CPC ..... B65F 1/106; B65F 1/1615; B65F 1/1607;  
B65F 1/163; B65F 1/16; B65F 1/062  
See application file for complete search history.

FIG. 1 is a perspective view of a decorative wastebasket with internal spaces, showing my new design in a first, lid open configuration of the decorative wastebasket;  
FIG. 2 is a perspective view thereof, showing my new design in a second, lid closed configuration of the decorative wastebasket;  
FIG. 3 is a top plan view thereof, in the configuration of FIG. 1;  
FIG. 4 is a cross-sectional view taken through cut line 4-4 of FIG. 3, showing the shapes of the exterior surfaces and internal spaces of the decorative wastebasket as form part of my design;  
FIG. 5 is a cross-sectional view taken through cut line 5-5 of FIG. 3, showing the shapes of the exterior surfaces and internal spaces of the decorative wastebasket as form part of my design;  
FIG. 6 is a top plan view thereof, in the configuration of FIG. 2;  
FIG. 7 is a cross-sectional view taken through cut line 7-7 of FIG. 6, showing the shapes of the exterior surfaces and internal spaces of the decorative wastebasket as form part of my design; and,  
FIG. 8 is a cross-sectional view taken through cut line 8-8 of FIG. 6, showing the shapes of the exterior surfaces and internal spaces of the decorative wastebasket as form part of my design.

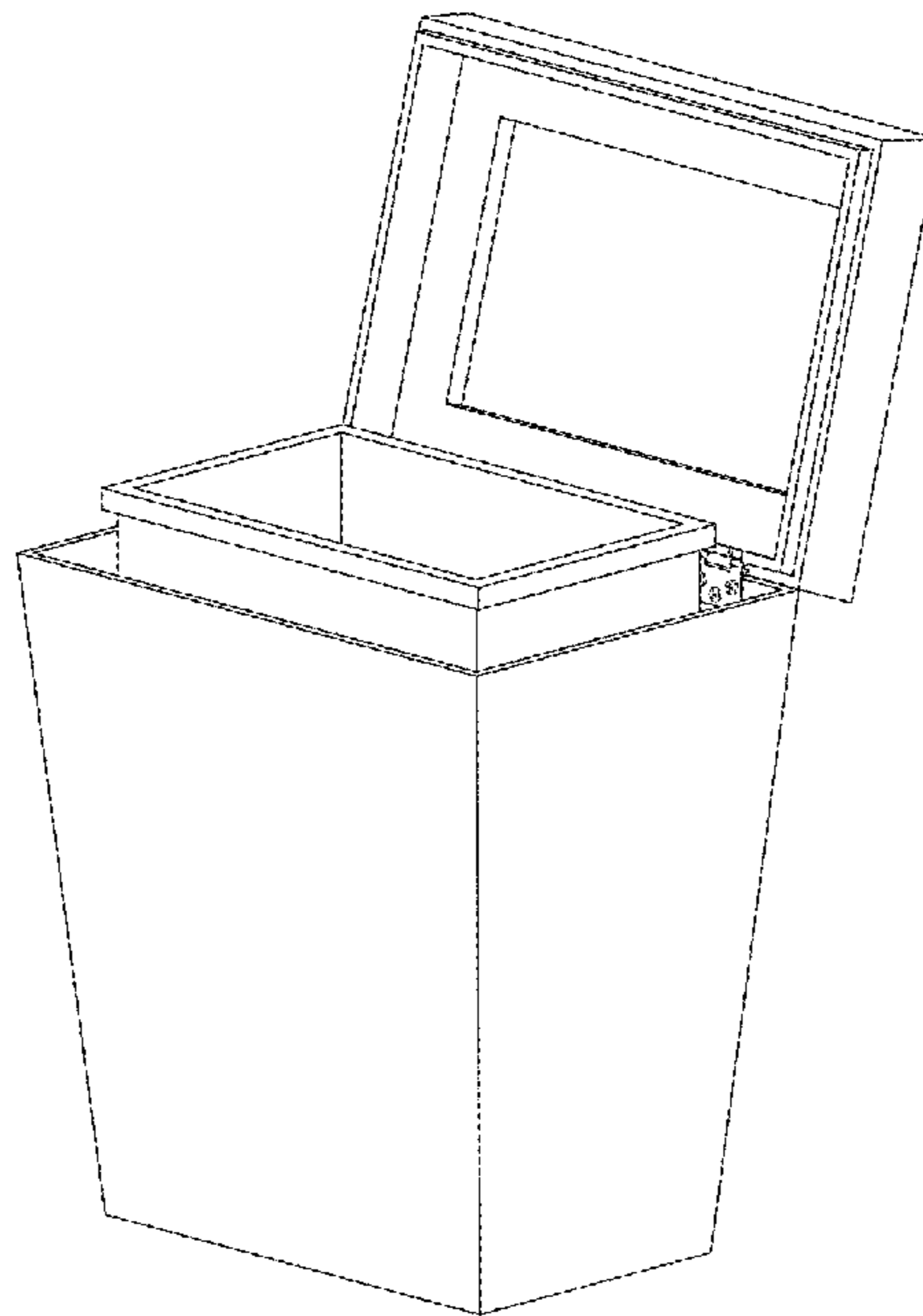
(56) **References Cited**

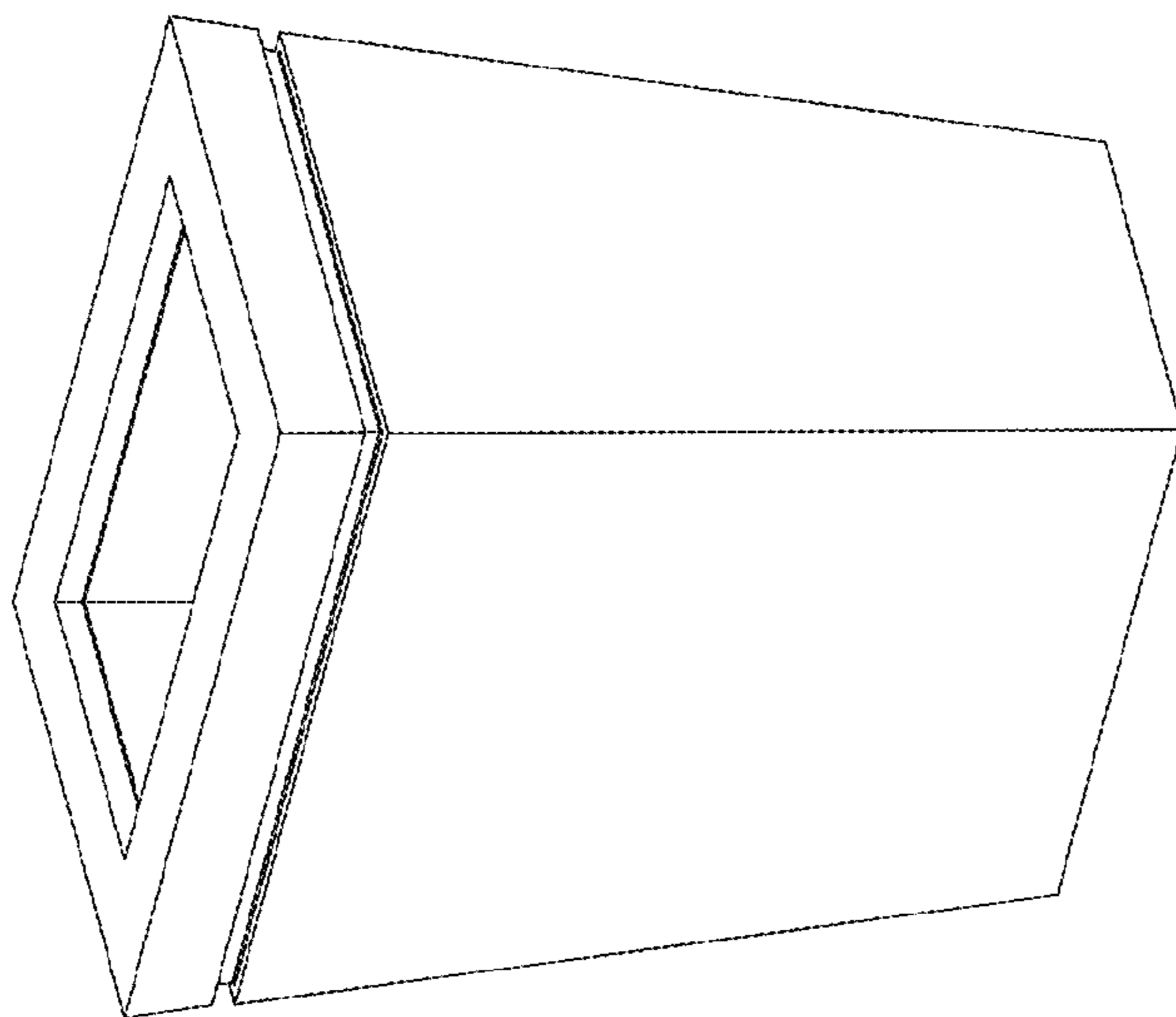
**U.S. PATENT DOCUMENTS**

D332,334 S *	1/1993	Jones	.....	D34/1
D333,369 S *	2/1993	Breen	.....	D34/1
D336,701 S *	6/1993	Waterston	.....	D34/1
D369,450 S *	4/1996	Hsiu	.....	D34/1
D384,460 S *	9/1997	Wright	.....	D34/1
D463,084 S *	9/2002	Forest	.....	D34/1
D574,118 S *	7/2008	Gusdorf	.....	D34/1

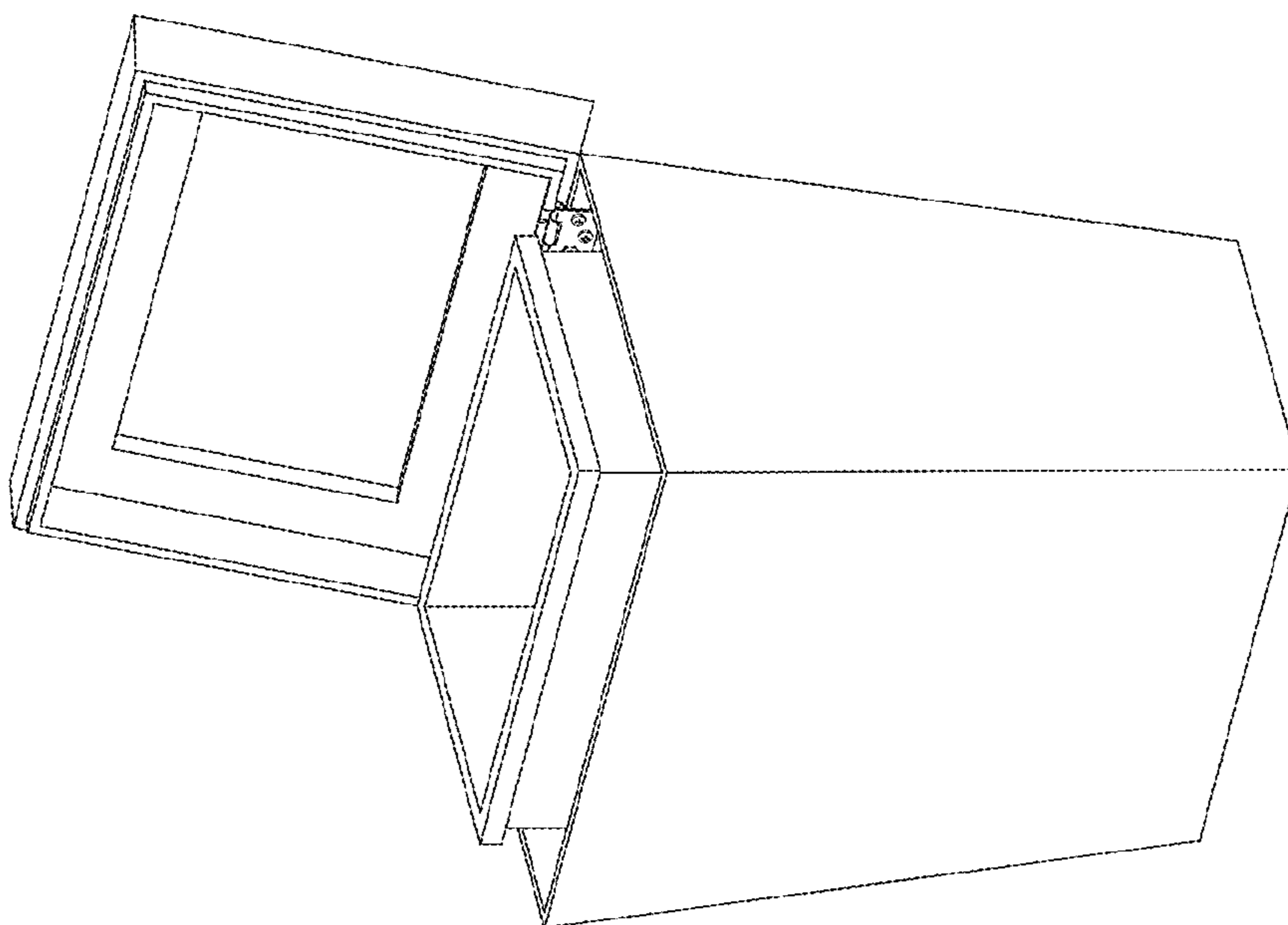
\* cited by examiner

**1 Claim, 4 Drawing Sheets**





*Figure 2*



*Figure 1*

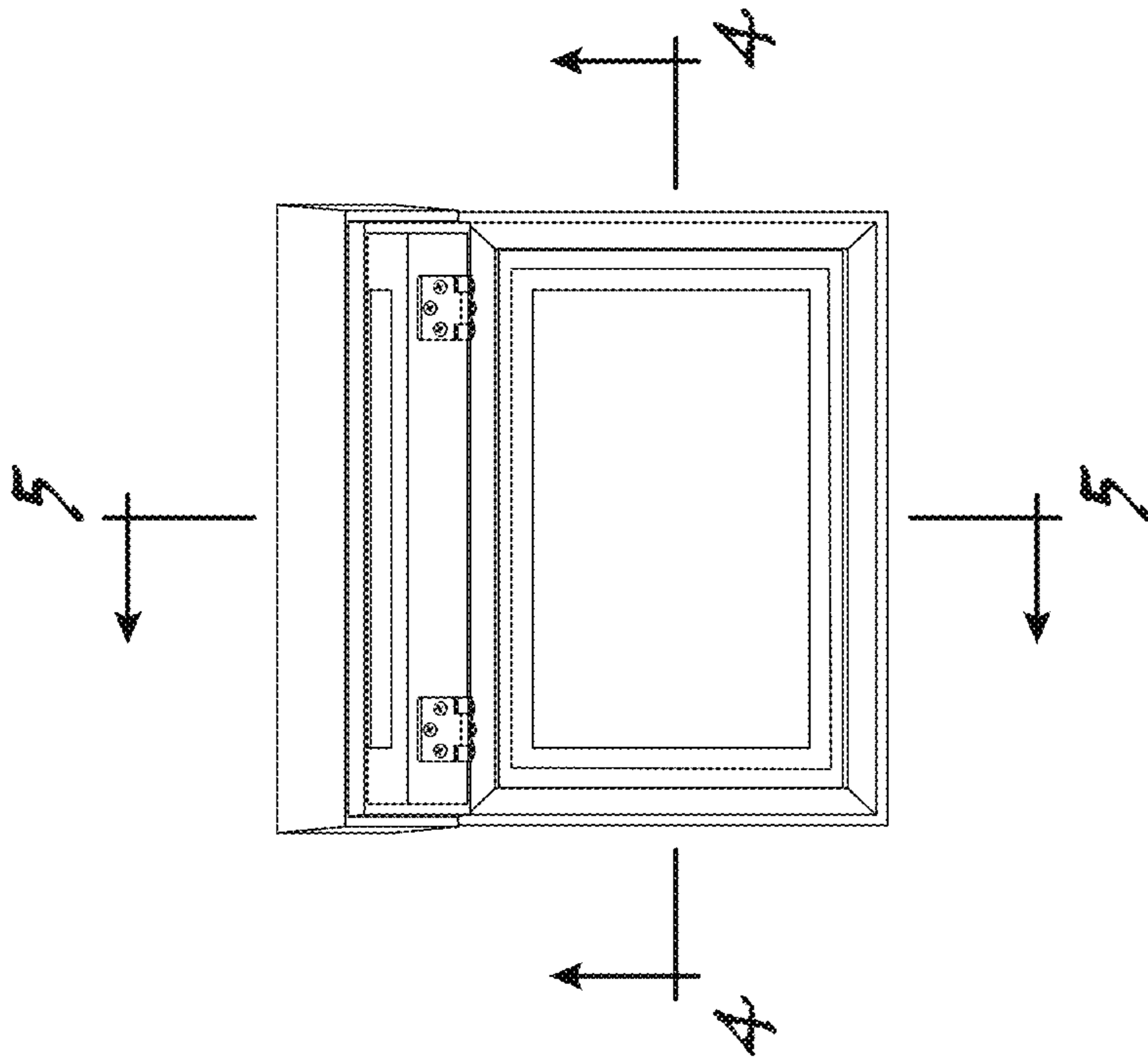


Figure 3

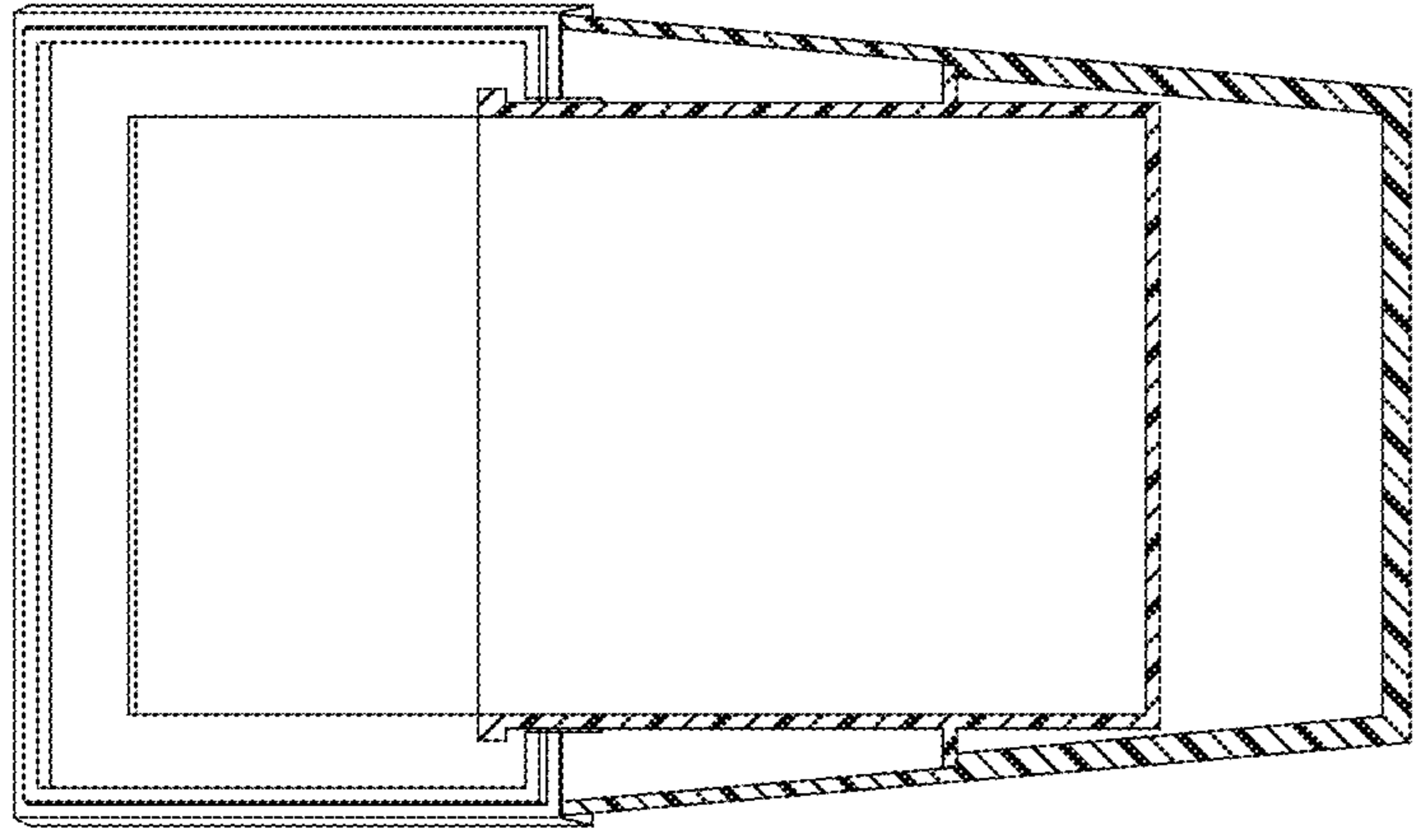


Figure 4

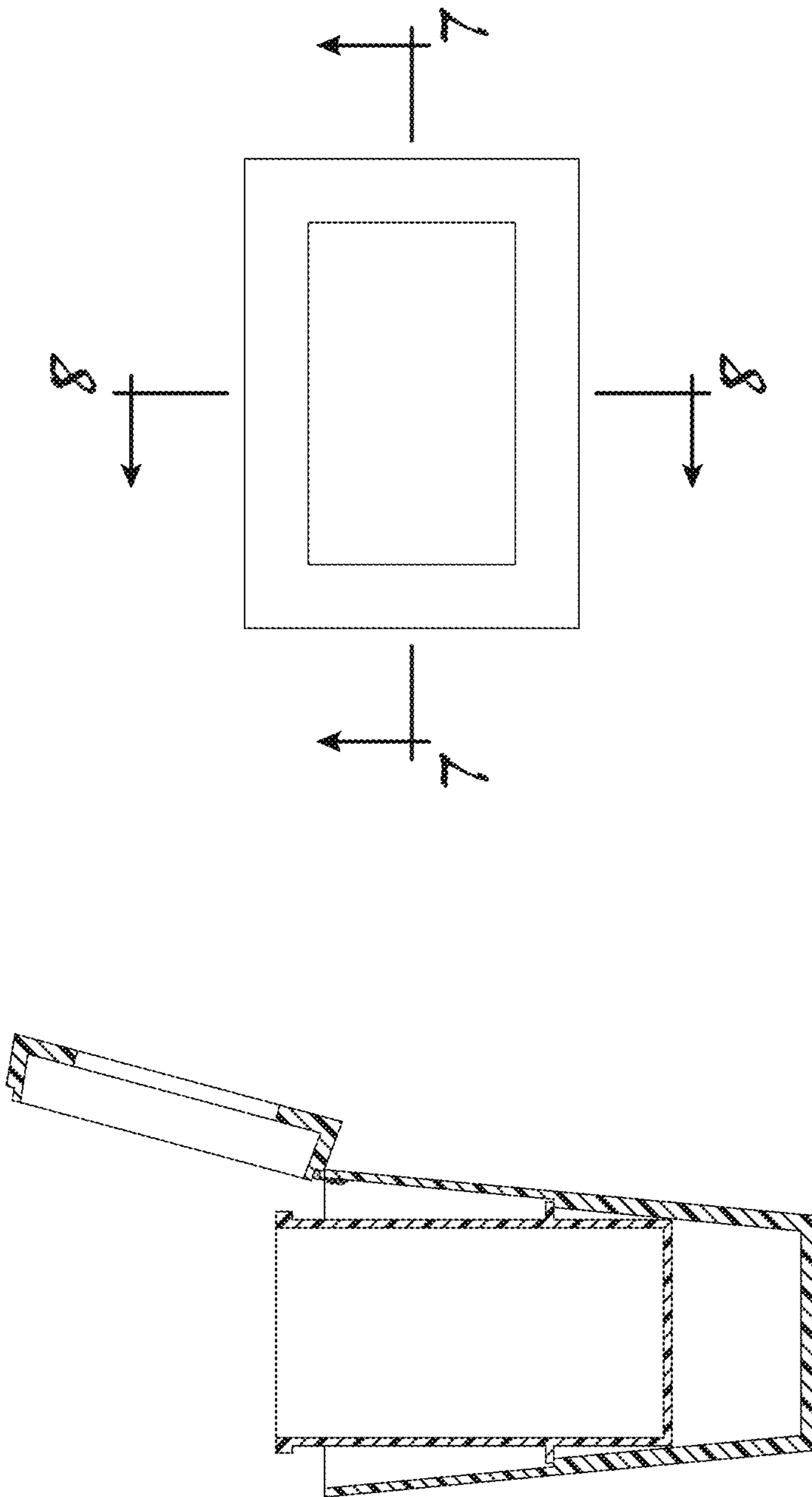
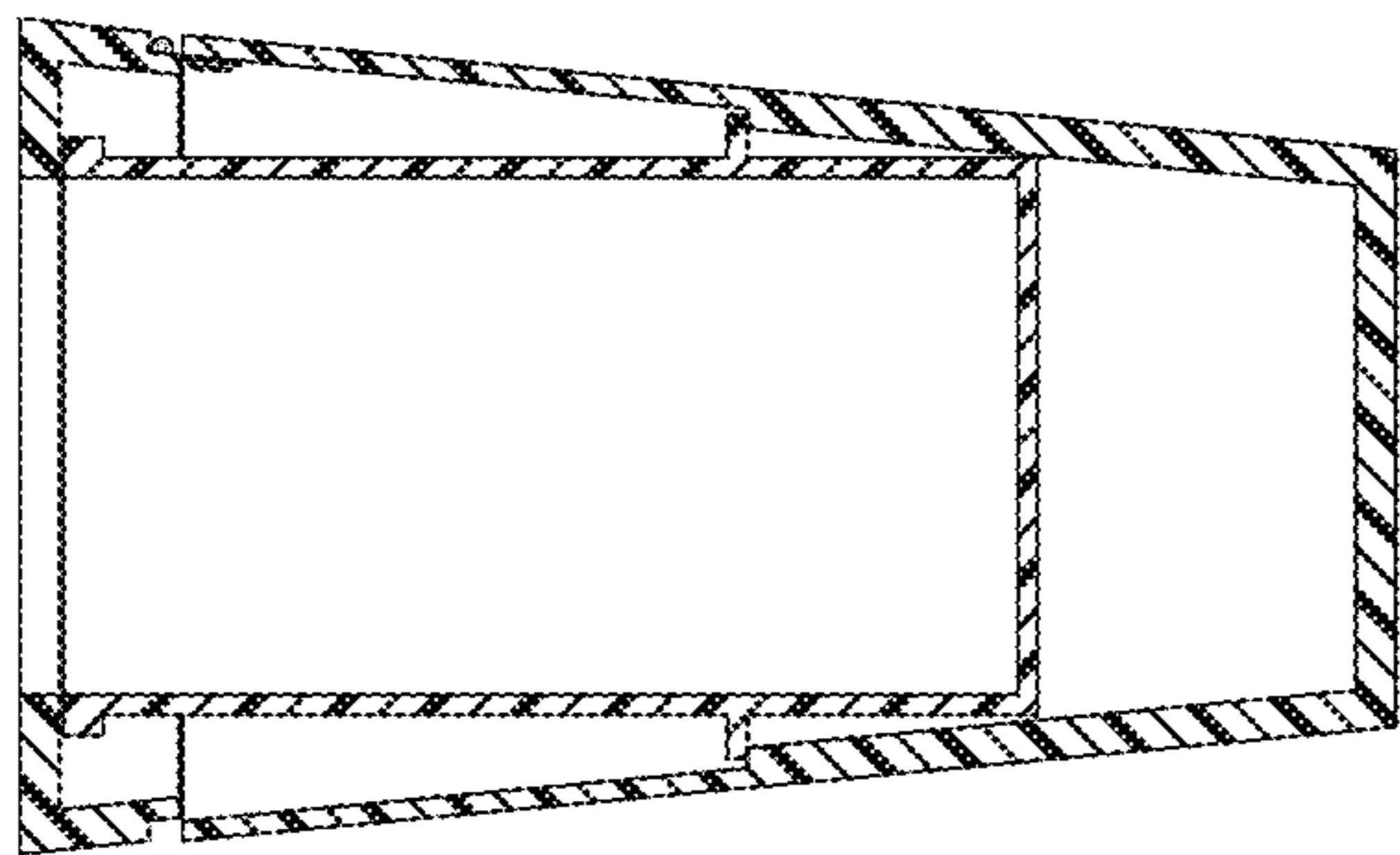
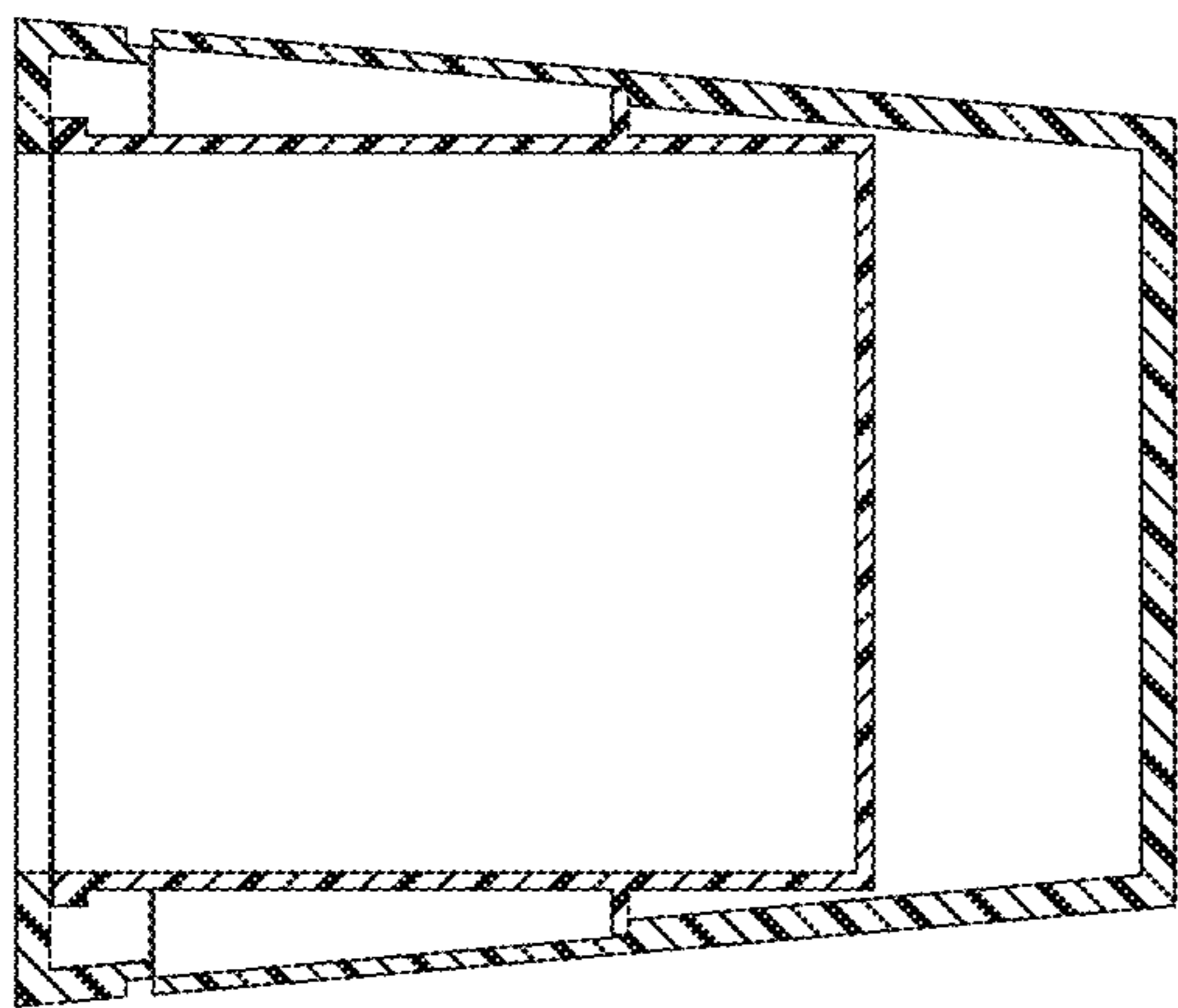


Figure 6

Figure 5



*Figure 8*



*Figure 7*