



US00D758036S

(12) **United States Design Patent**
Hudson

(10) **Patent No.:** **US D758,036 S**

(45) **Date of Patent:** **** May 31, 2016**

(54) **WASHING LINE WITH WASHING LINE COVER**

(71) Applicant: **Cearna Sheree Ann Hudson**, Hamilton (NZ)

(72) Inventor: **Cearna Sheree Ann Hudson**, Hamilton (NZ)

(**) Term: **14 Years**

(21) Appl. No.: **29/493,957**

(22) Filed: **Jun. 16, 2014**

(30) **Foreign Application Priority Data**

Dec. 16, 2013 (NZ) 418359

(51) **LOC (10) Cl.** **07-05**

(52) **U.S. Cl.**
USPC **D32/60**

(58) **Field of Classification Search**
USPC D32/58, 59, 60, 61, 62, 63, 64, 65;
D13/102
CPC D06F 57/00; D06F 57/02; D06F 57/04;
D06F 57/06; D06F 57/08; D06F 57/12
See application file for complete search history.

(56) **References Cited**

U.S. PATENT DOCUMENTS

- 357,057 A * 2/1887 Altman et al. A47K 1/09
211/181.1
- 679,606 A * 7/1901 Davis A47F 5/02
211/165
- 1,046,319 A * 12/1912 Mohney A47G 25/0685
211/100
- 1,713,673 A * 5/1929 Nelson D06F 57/04
248/170
- 3,857,493 A * 12/1974 Bourne D06F 57/04
211/197
- D266,456 S * 10/1982 Strickler D3/5
- D339,667 S * 9/1993 Fitzpatrick D32/58
- D401,025 S * 11/1998 Williams D32/58
- D545,021 S * 6/2007 Verbeek D32/58
- D600,439 S * 9/2009 Zonsius D3/5

- D657,104 S * 4/2012 Levin D32/59
- D701,829 S * 4/2014 Garrett-Schesch D13/102
- D703,939 S * 5/2014 Akin D13/102
- D706,026 S * 6/2014 Akin D13/102
- D724,524 S * 3/2015 Garrett-Schesch D13/102
- D728,466 S * 5/2015 Ehram D13/102
- 2005/0247836 A1 * 11/2005 Park F16B 12/32
248/214
- 2007/0215567 A1 * 9/2007 Cavell A47B 49/00
211/113

* cited by examiner

Primary Examiner — George D Kirschbaum

Assistant Examiner — Natasha Vujcic

(74) *Attorney, Agent, or Firm* — Greer, Burns & Crain, Ltd.

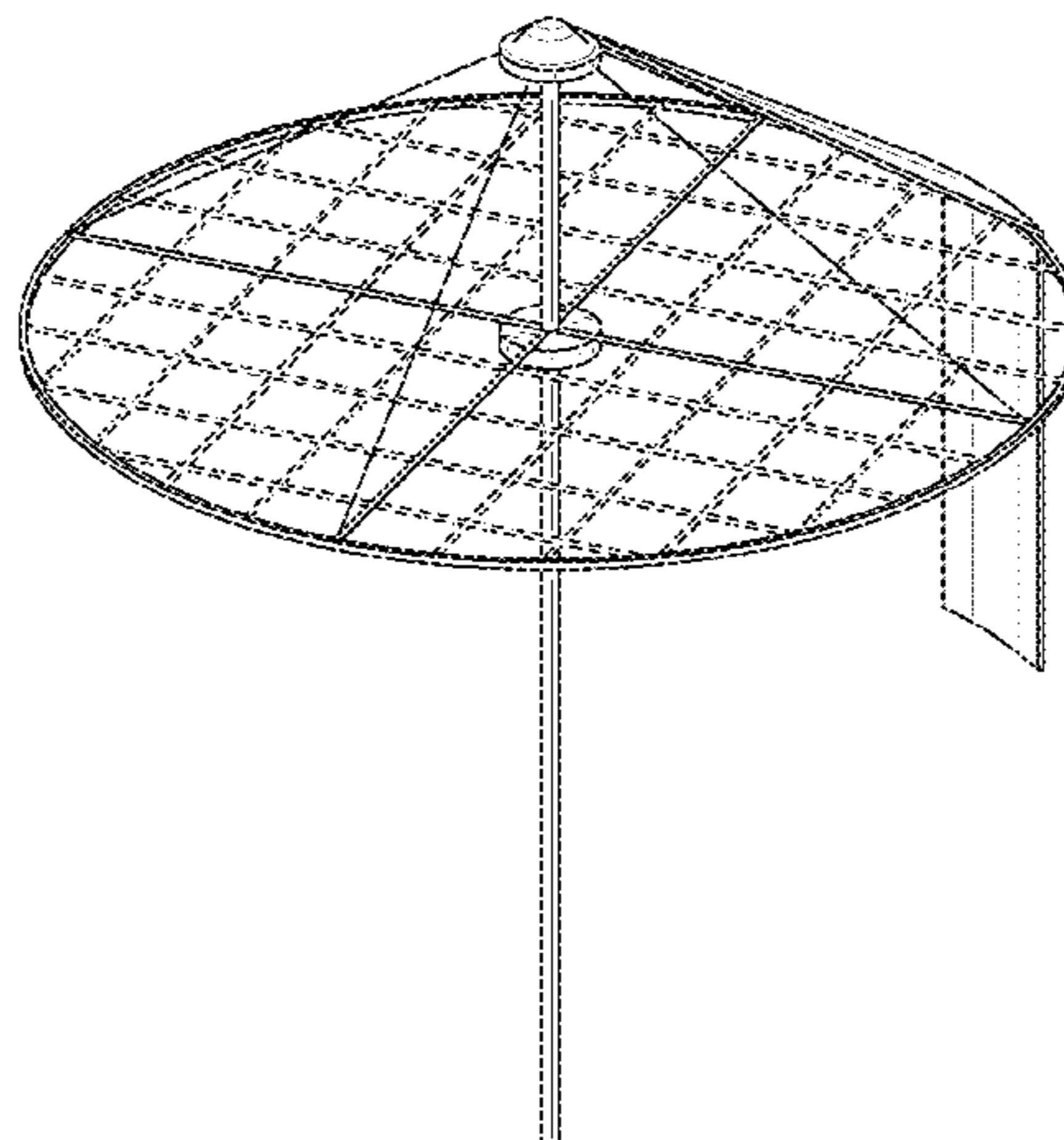
(57) **CLAIM**

The ornamental design for a washing line with washing line cover, as shown and described.

DESCRIPTION

FIG. 1 is a top right perspective view of the present washing line and washing line cover in a first position;
 FIG. 2 is a right side view of same;
 FIG. 3 is a left side view of same;
 FIG. 4 is a front end view of the washing line and washing line cover of FIG. 1;
 FIG. 5 is a rear end view of same;
 FIG. 6 is a top view of same;
 FIG. 7 is a bottom view of the present washing line and washing line cover;
 FIG. 8 is a top perspective view of the present washing line and cover in a second position;
 FIG. 9 is a right side view of same;
 FIG. 10 is a left side view of same;
 FIG. 11 is a front end view of same;
 FIG. 12 is a rear end view of same;
 FIG. 13 is a top view of the present washing line and cover of FIG. 8; and,
 FIG. 14 is a bottom view of same.
 The structure shown in broken lines is for environment purposes only and does not form part of the claimed invention.

1 Claim, 14 Drawing Sheets



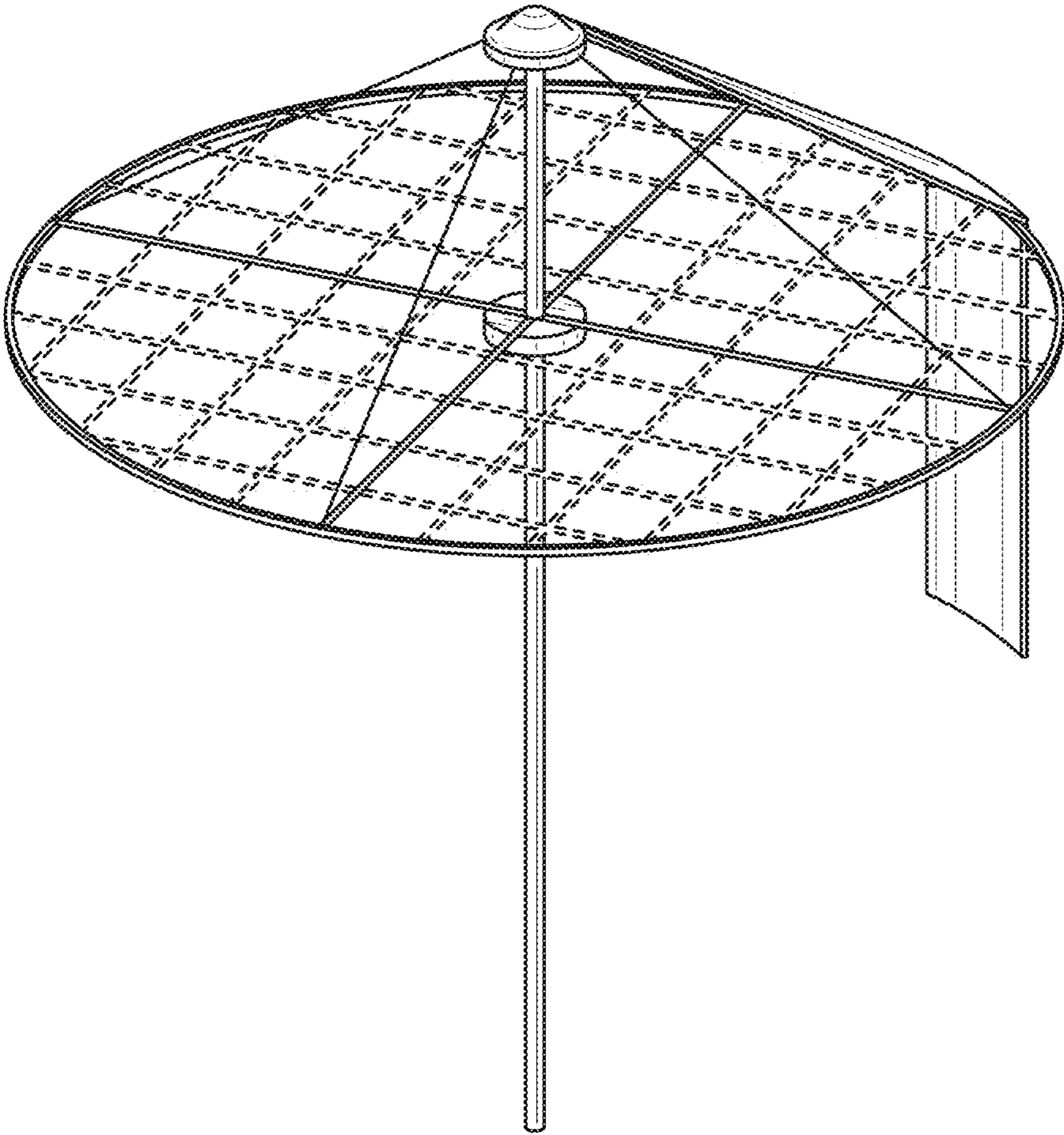


FIG. 1

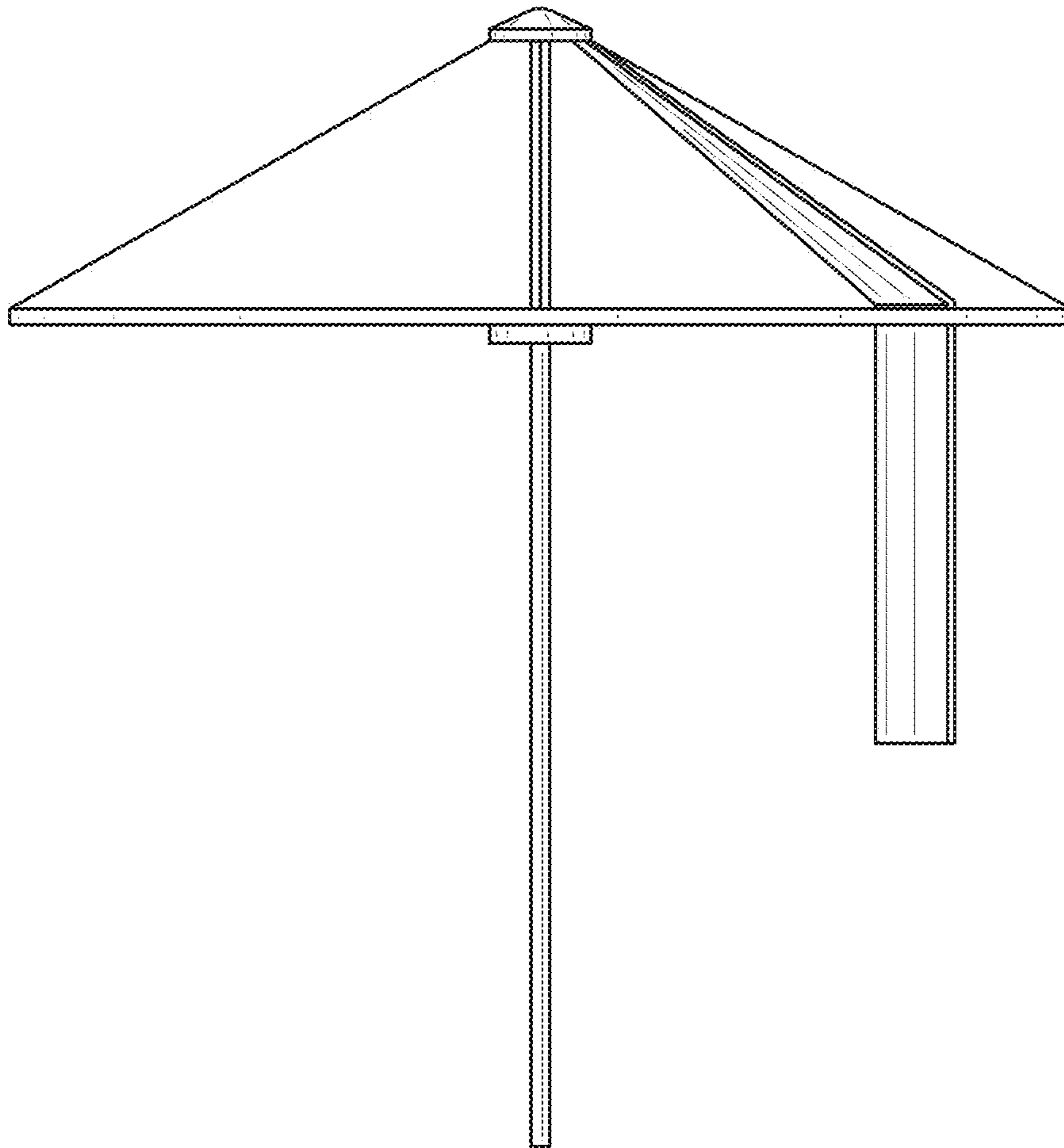


FIG. 2

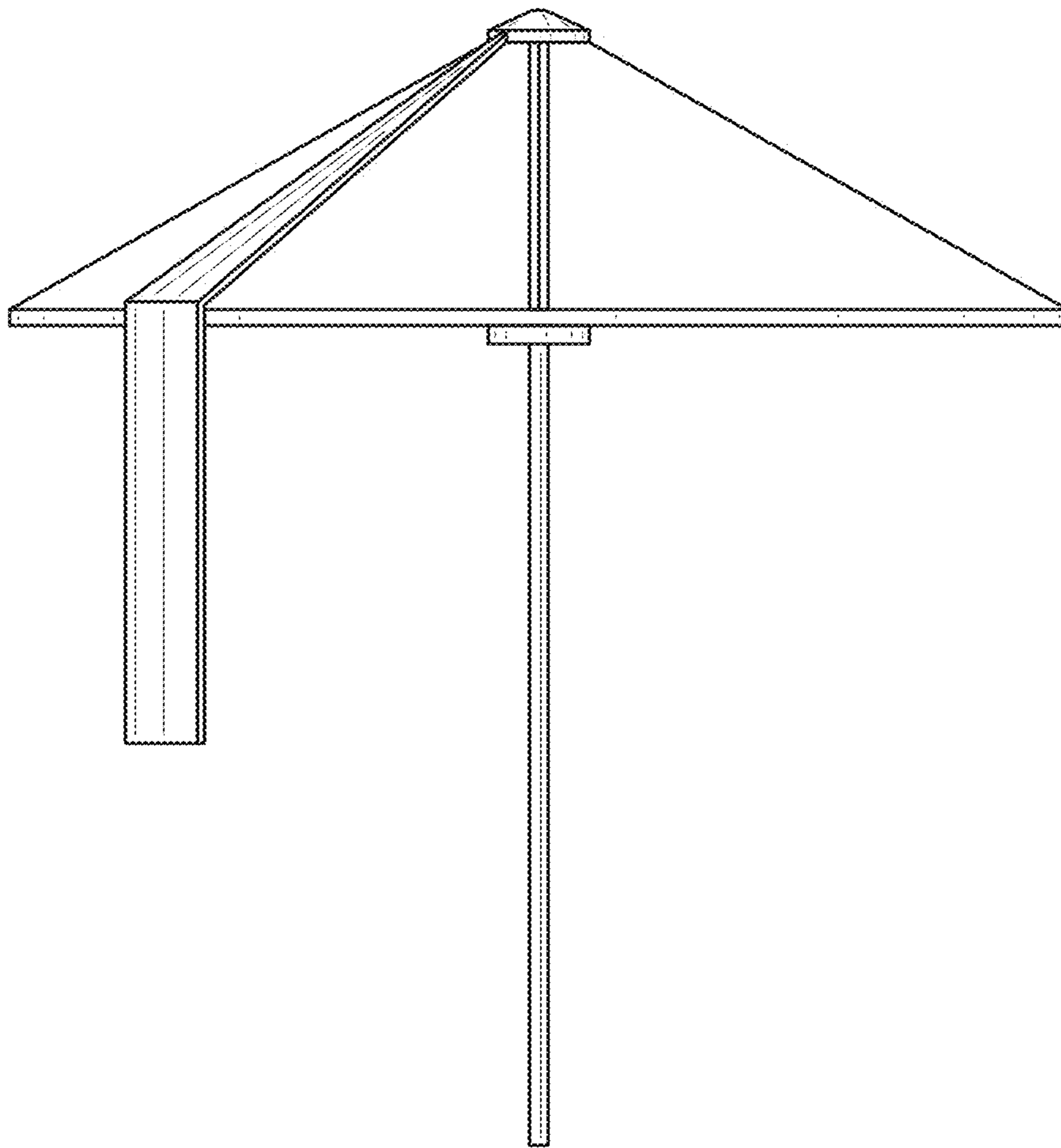


FIG. 3

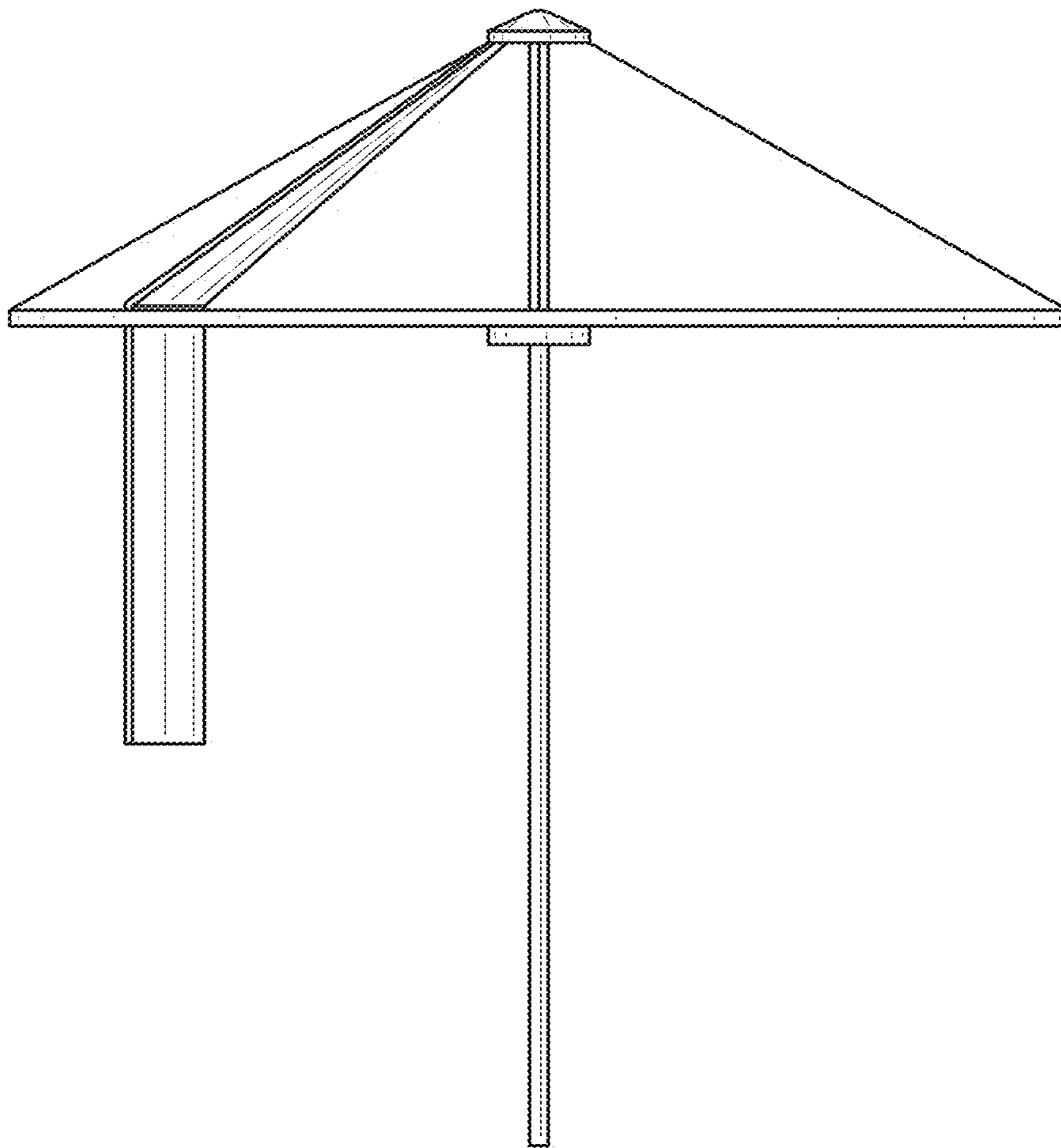


FIG. 4

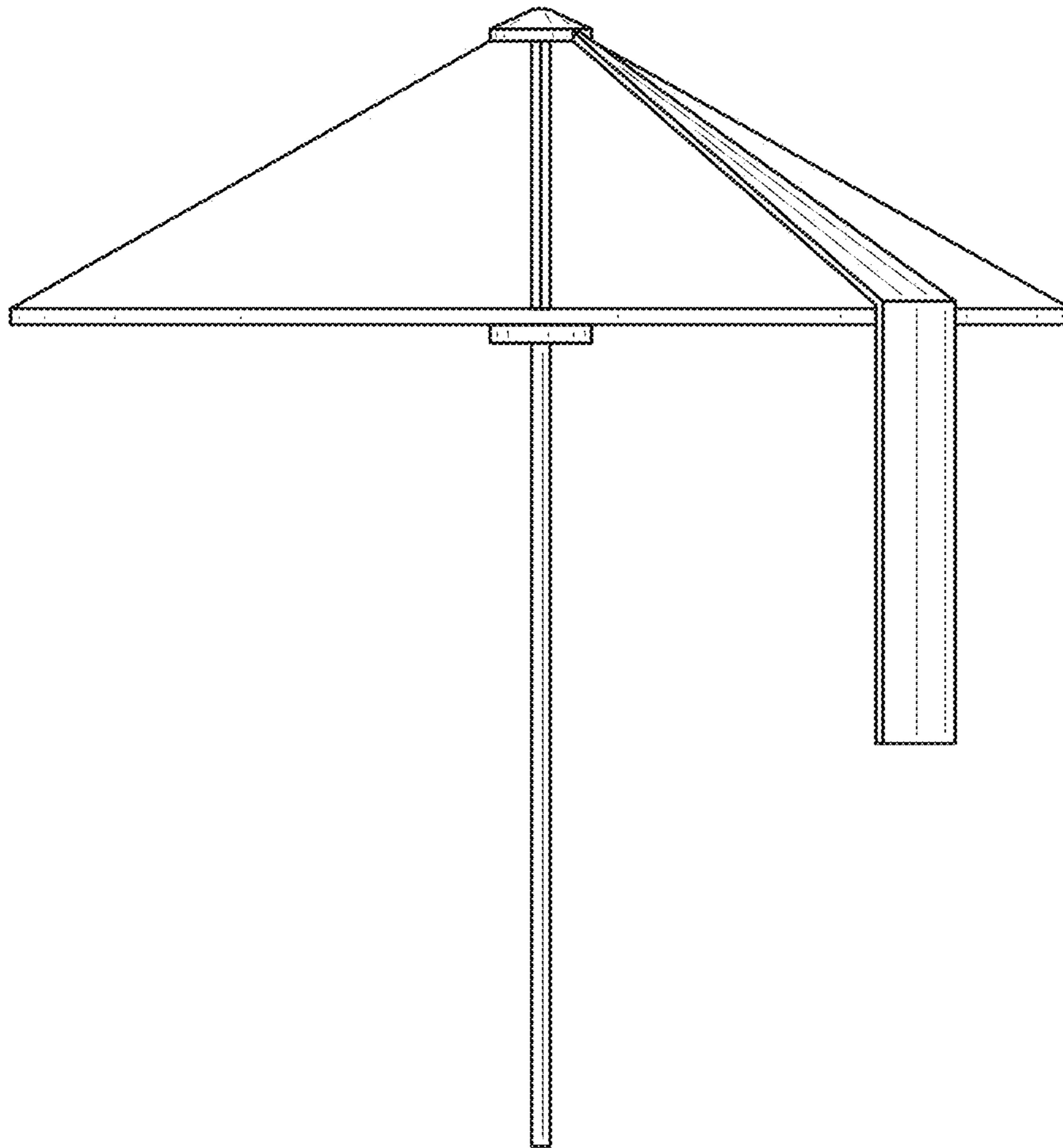


FIG. 5

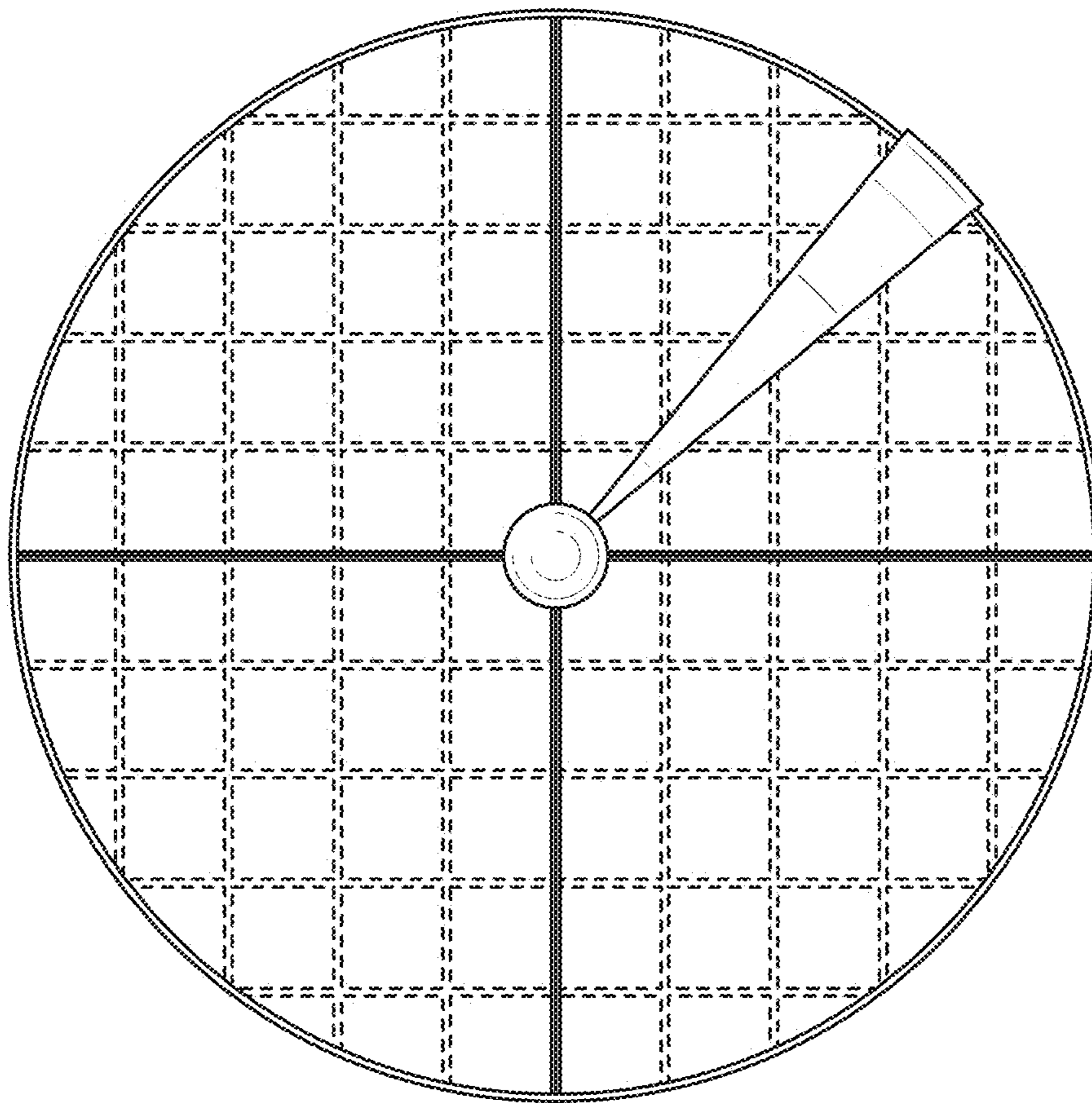


FIG. 6

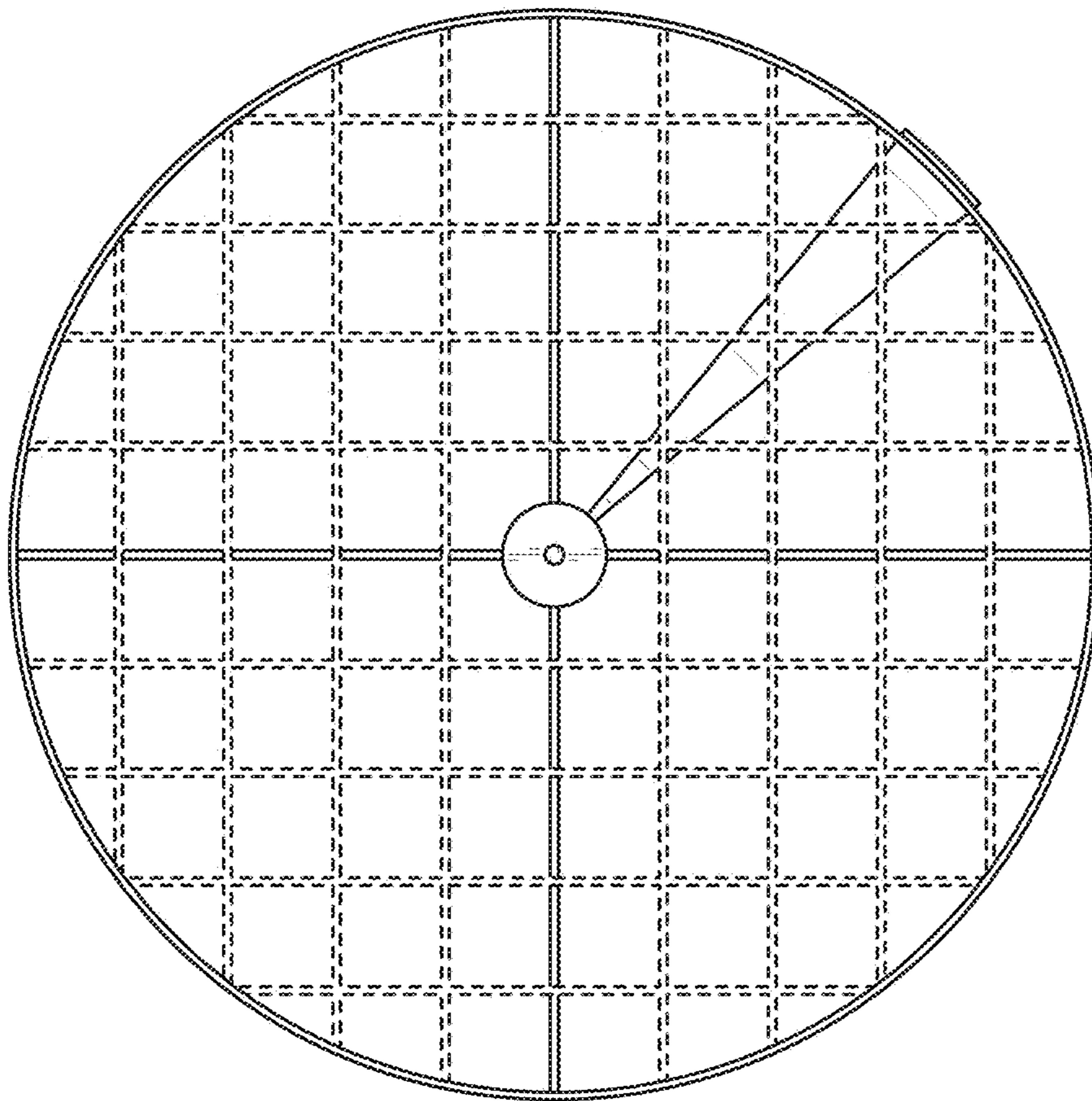


FIG. 7

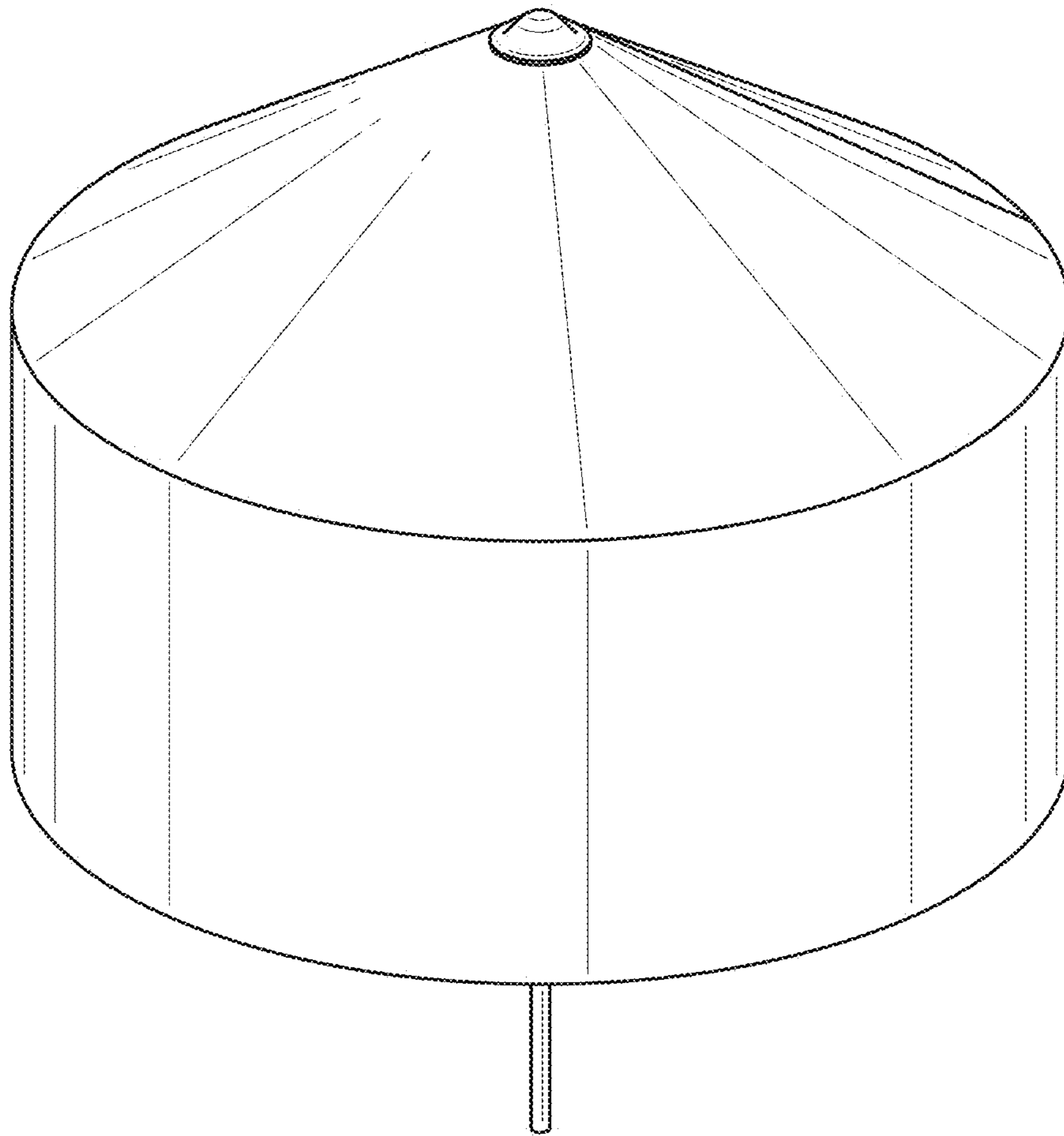


FIG. 8

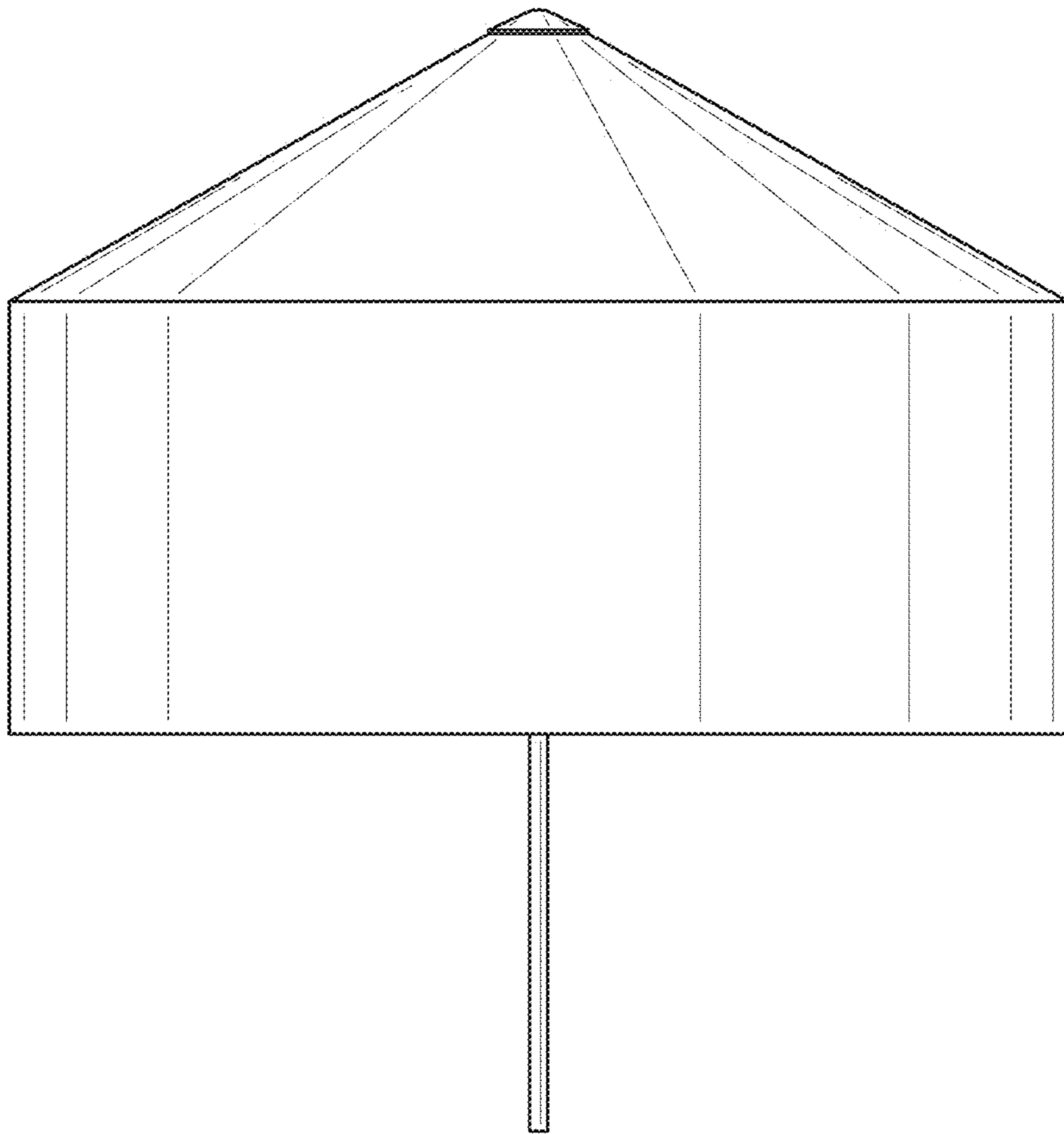


FIG. 9

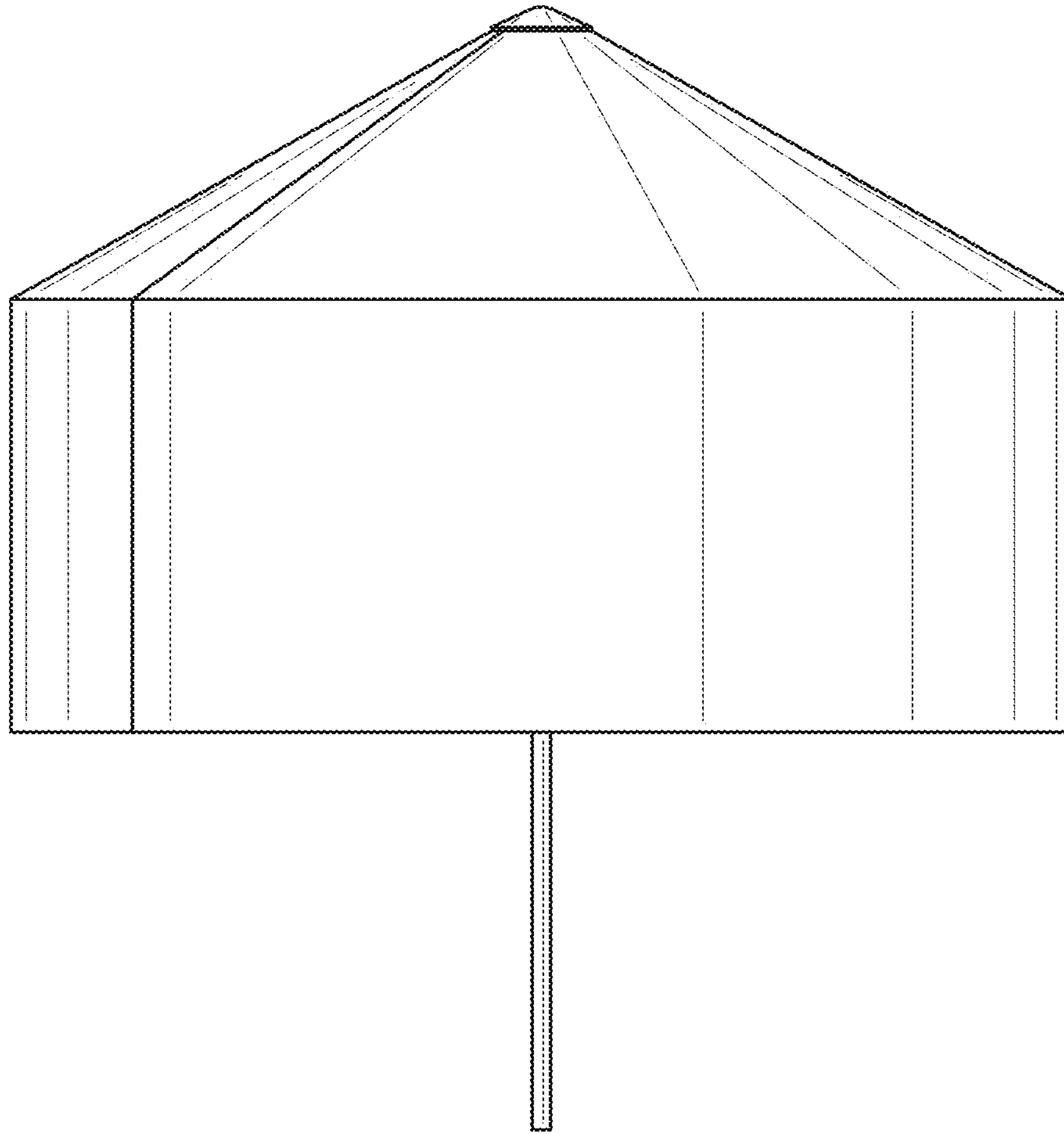


FIG. 10

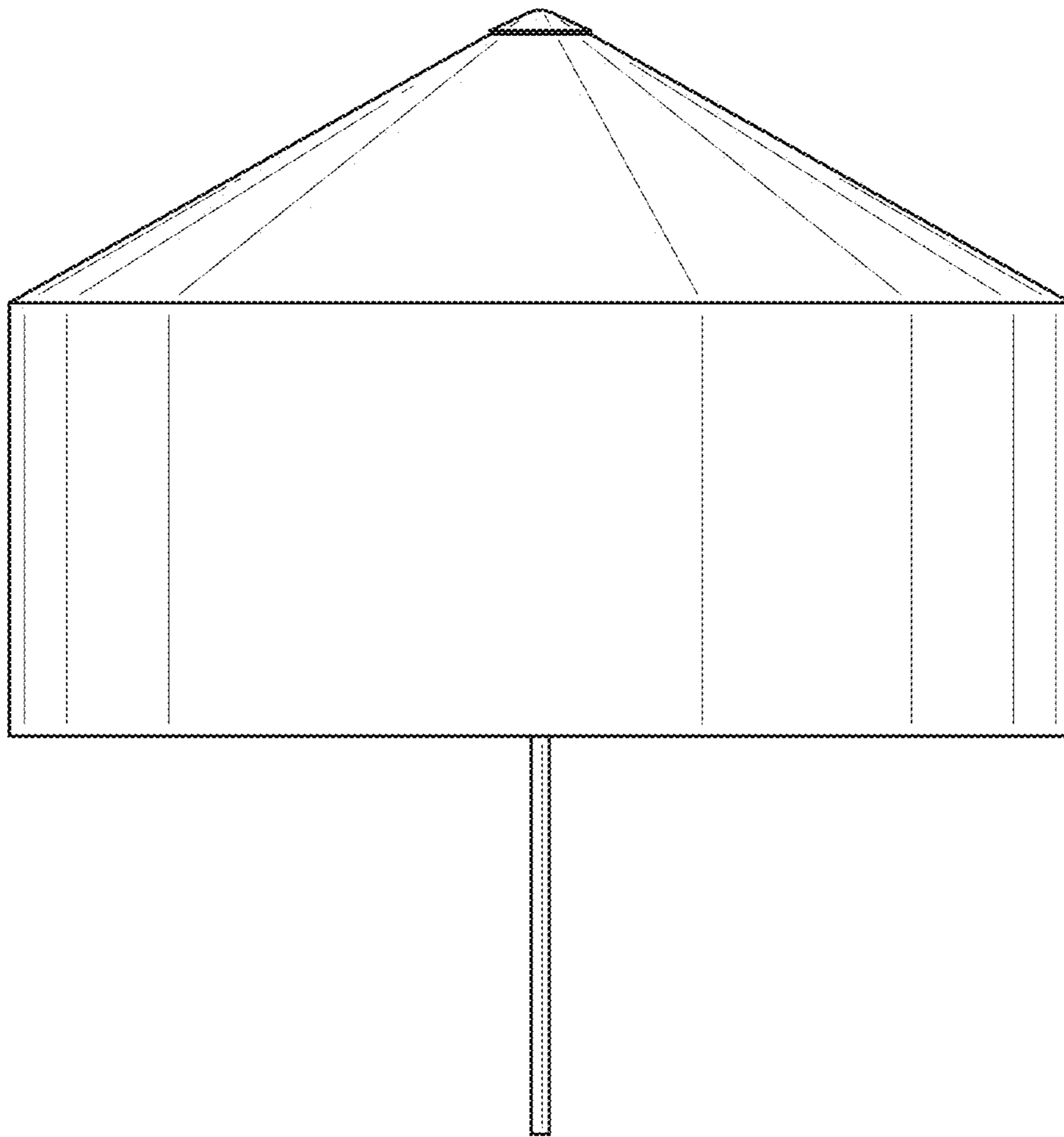


FIG. 11

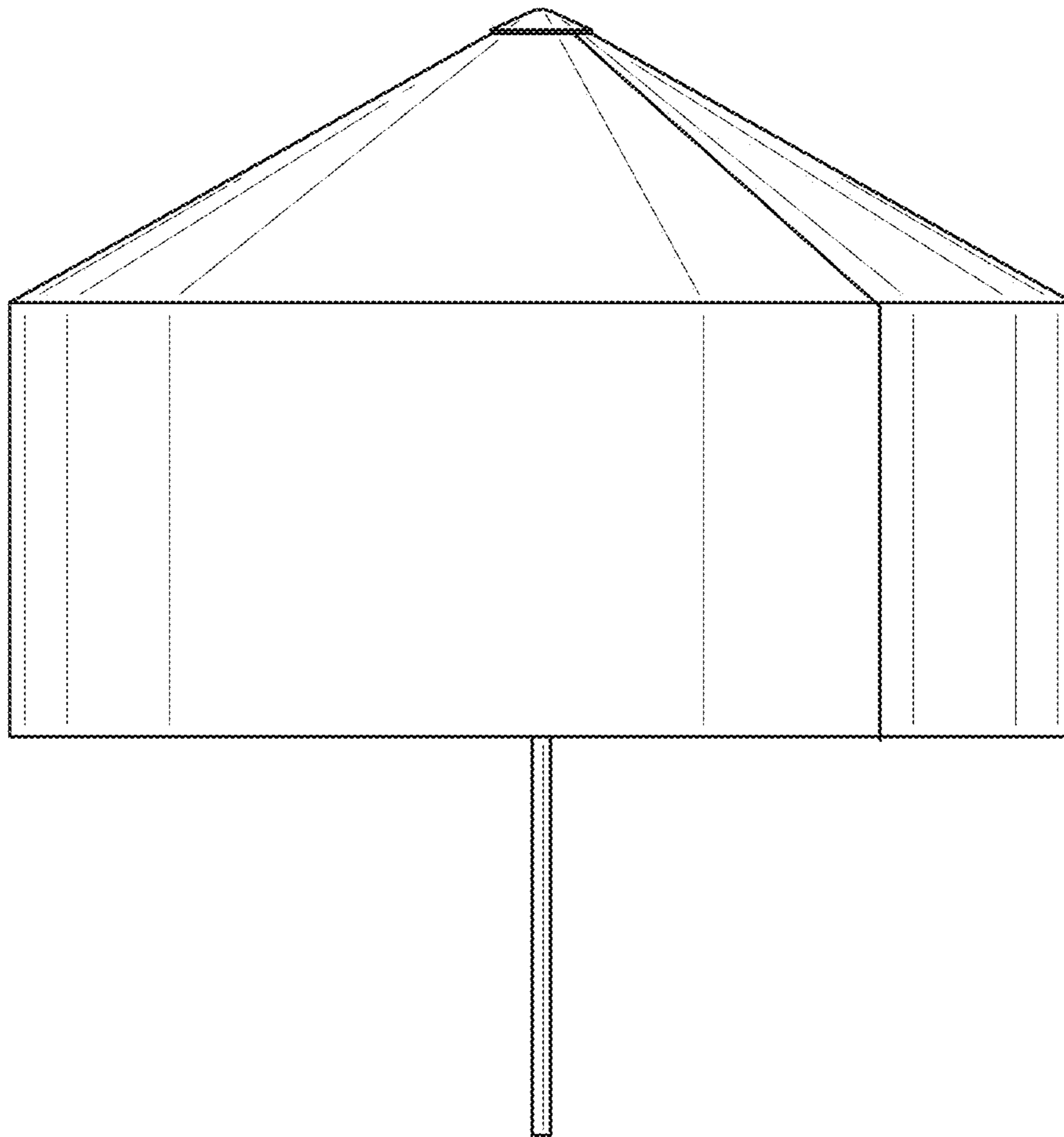


FIG. 12

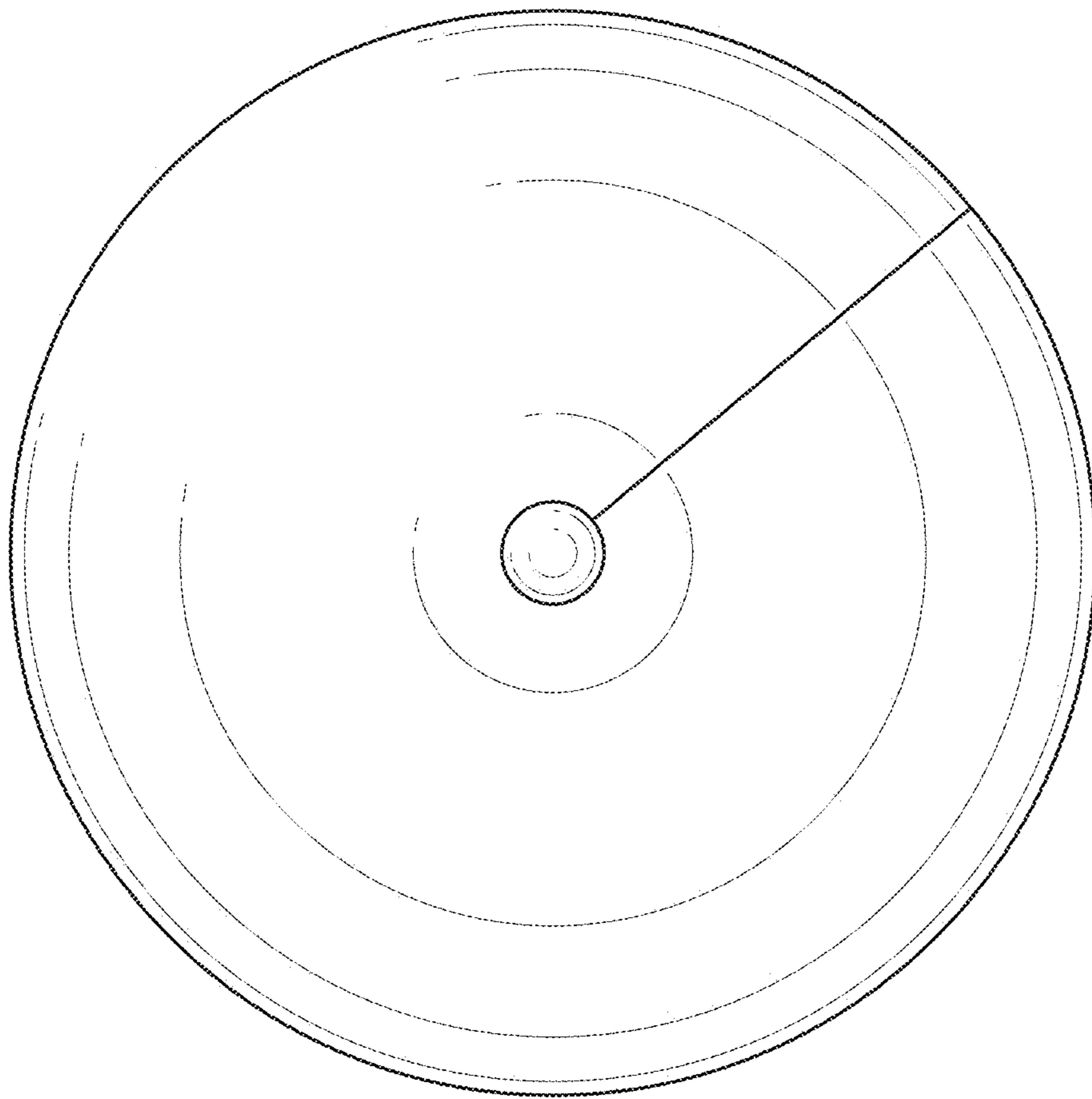


FIG. 13

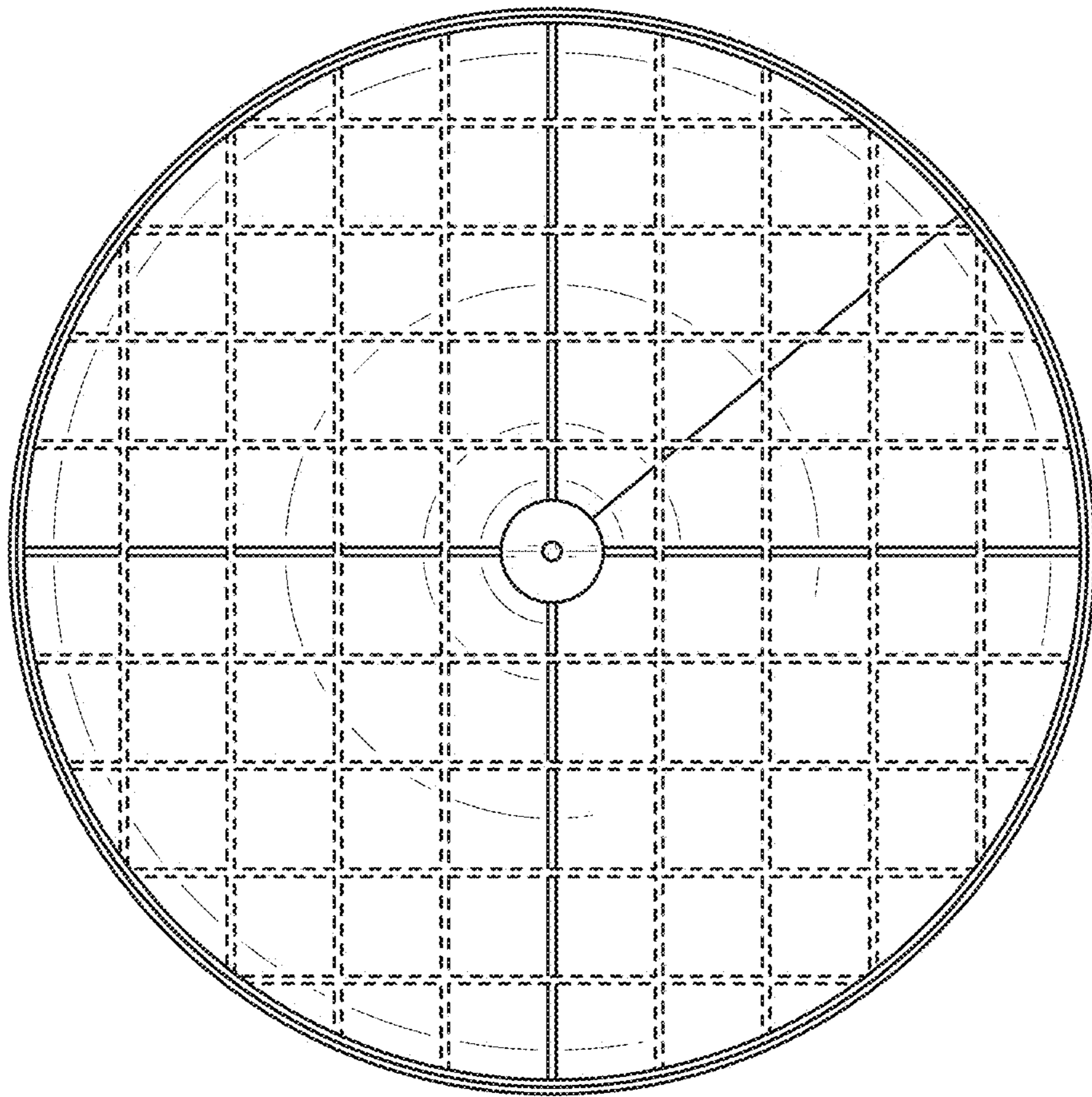


FIG. 14