



US00D758032S

(12) **United States Design Patent**  
**Bixby et al.**

(10) **Patent No.:** **US D758,032 S**  
(45) **Date of Patent:** **\*\* May 31, 2016**

- (54) **FRONTLOAD DRYING APPLIANCE**
- (71) Applicant: **Whirlpool Corporation**, Benton Harbor, MI (US)
- (72) Inventors: **Seth E. Bixby**, Stevensville, MI (US); **Richard K. Gresens**, Saint Joseph, MI (US); **John W. McConnell**, Saint Joseph, MI (US); **Patrick J. Schiavone**, Benton Harbor, MI (US); **Samuel B. Breneman**, Saint Joseph, MI (US)
- (73) Assignee: **Whirlpool Corporation**, Benton Harbor, MI (US)
- (\*\*) Term: **14 Years**
- (21) Appl. No.: **29/499,770**
- (22) Filed: **Aug. 19, 2014**
- (51) **LOC (10) Cl.** ..... **15-05**
- (52) **U.S. Cl.**  
USPC ..... **D32/25**
- (58) **Field of Classification Search**  
USPC ..... D32/1-6, 8, 10, 24, 25, 28; 34/58, 108, 34/109, 110, 242, 595-597; 312/228  
CPC ..... D06F 58/00; D06F 58/02; D06F 58/04; D06F 58/10; D06F 58/28  
See application file for complete search history.

(56) **References Cited**

U.S. PATENT DOCUMENTS

D484,652 S *	12/2003	Clark	.....	D32/28
D496,507 S *	9/2004	Johnson	.....	D32/28
D521,197 S *	5/2006	Kim	.....	D32/8
D575,464 S *	8/2008	Rossetto	.....	D32/8
D619,314 S *	7/2010	Bixby	.....	D32/25
D661,852 S *	6/2012	Song	.....	D32/8
D699,906 S *	2/2014	Choi	.....	D32/25
D700,410 S *	2/2014	Hwang	.....	D32/25
D701,659 S *	3/2014	Choi	.....	D32/8
D703,887 S *	4/2014	Lee	.....	D32/8
8,820,861 B2 *	9/2014	Kim	.....	D06F 39/14 16/330

8,936,330 B2 *	1/2015	Kim	.....	D06F 33/02 126/190
D729,467 S *	5/2015	Jee	.....	D32/6
D729,998 S *	5/2015	Jeon	.....	D32/6
9,049,929 B2 *	6/2015	Kilgore		
9,200,842 B2 *	12/2015	Hopkins	.....	D06F 58/28
2009/0193678 A1 *	8/2009	Latack	.....	D06F 58/08 34/139
2013/0193823 A1 *	8/2013	Cho	.....	D06F 39/14 312/319.2

\* cited by examiner

*Primary Examiner* — Rosemary K Tarcza

*Assistant Examiner* — Yolanda Robinson

(57) **CLAIM**

We claim the ornamental design for a frontload drying appliance, as shown and described.

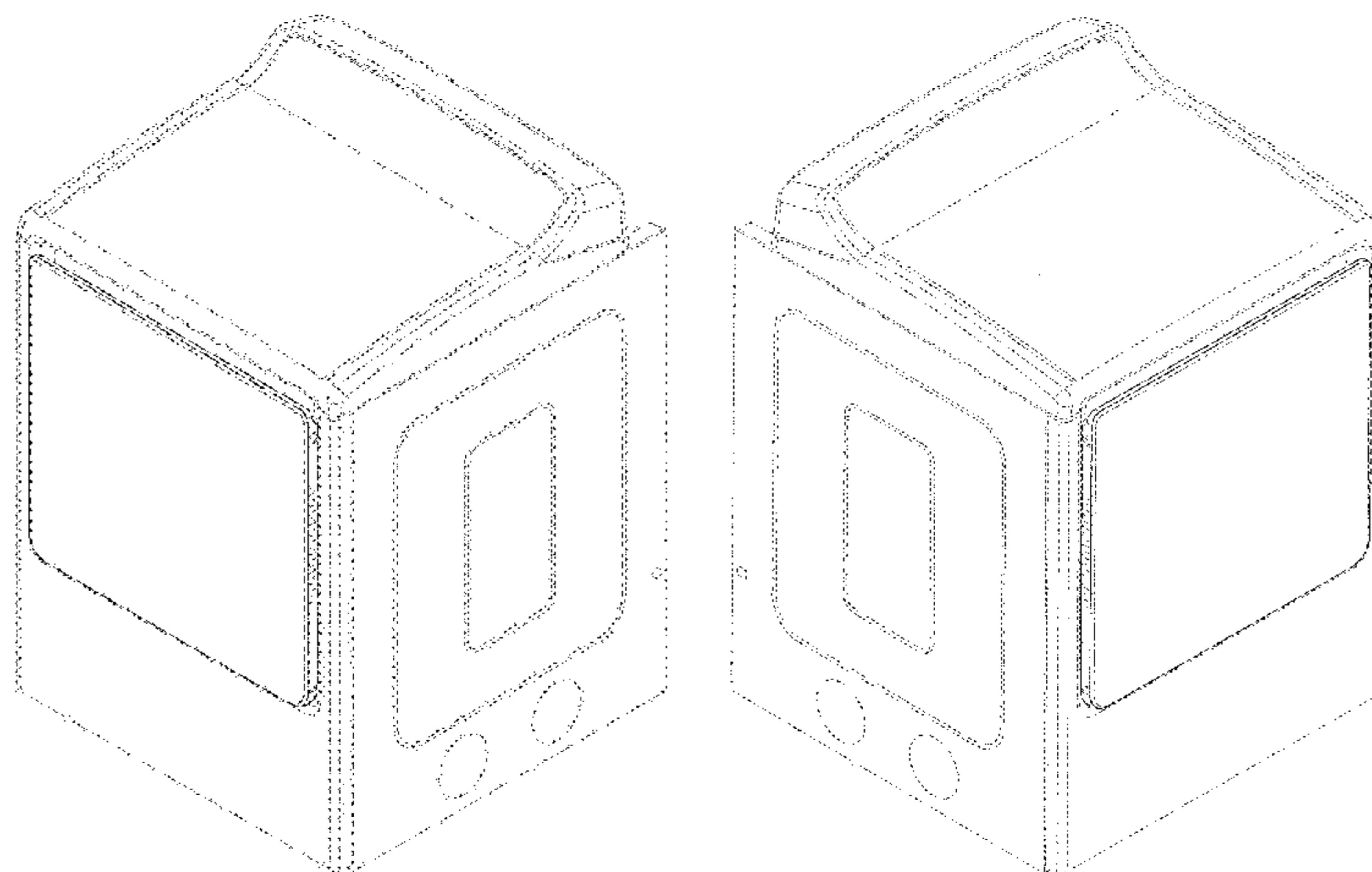
**DESCRIPTION**

FIG. 1 is a first top perspective view of the frontload drying appliance of the present invention;  
 FIG. 2 is a second top perspective view of the frontload drying appliance of the present invention;  
 FIG. 3 is a top plan view of the frontload drying appliance of the present invention;  
 FIG. 4 is a bottom plan view of the frontload drying appliance of the present invention;  
 FIG. 5 is a first side elevation view of the frontload drying appliance of the present invention;  
 FIG. 6 is a second side elevation view of the frontload drying appliance of the present invention;  
 FIG. 7 is a third side elevation view of the frontload drying appliance of the present invention; and,  
 FIG. 8 is a fourth side elevation view of the frontload drying appliance of the present invention.

The broken lines shown in the figures are for the purpose of illustrating unclaimed portions of the frontload drying appliance, and form no part of the claimed design.

The dash-dot broken line(s) define the bounds of the claimed design and form no part thereof.

**1 Claim, 8 Drawing Sheets**



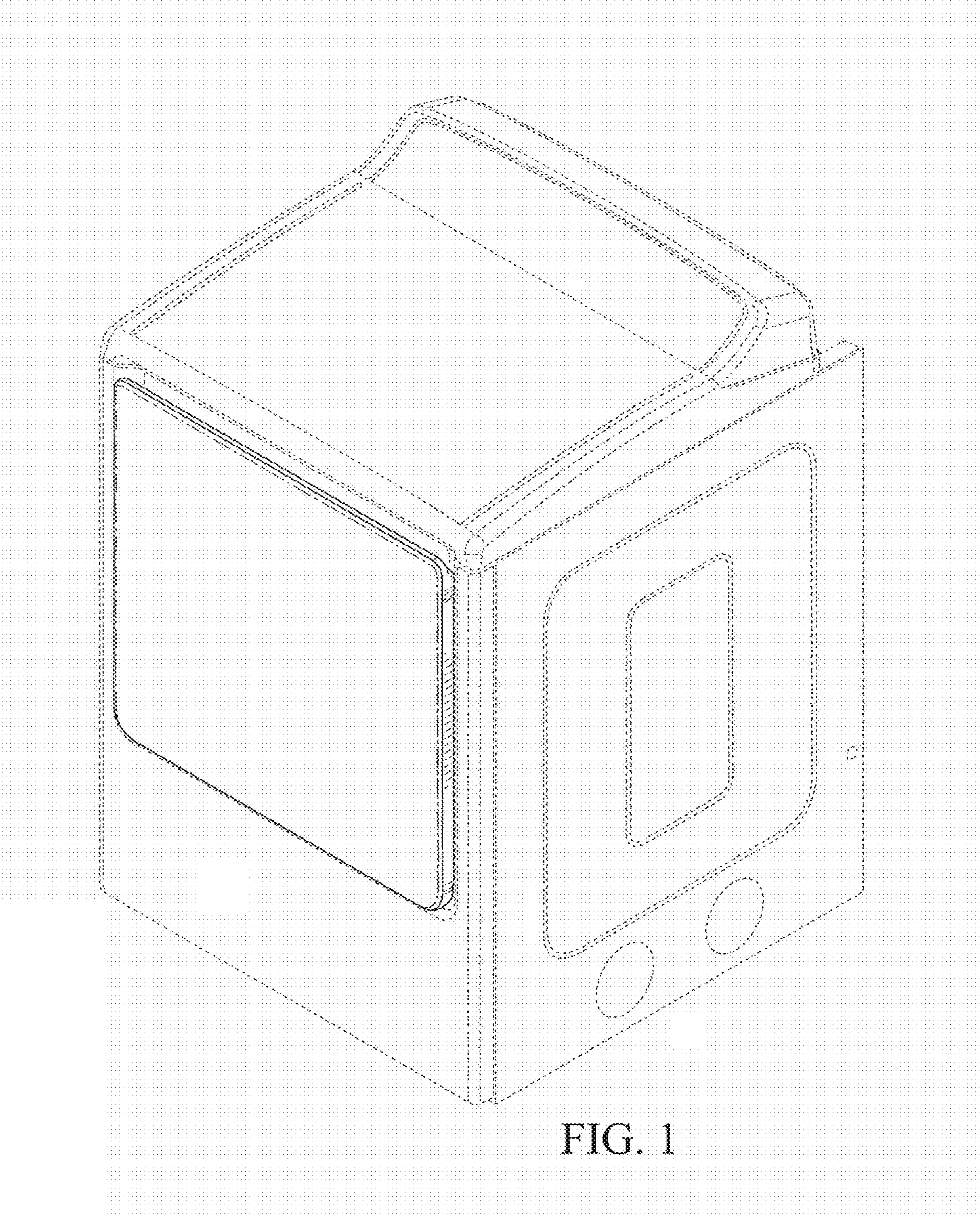


FIG. 1

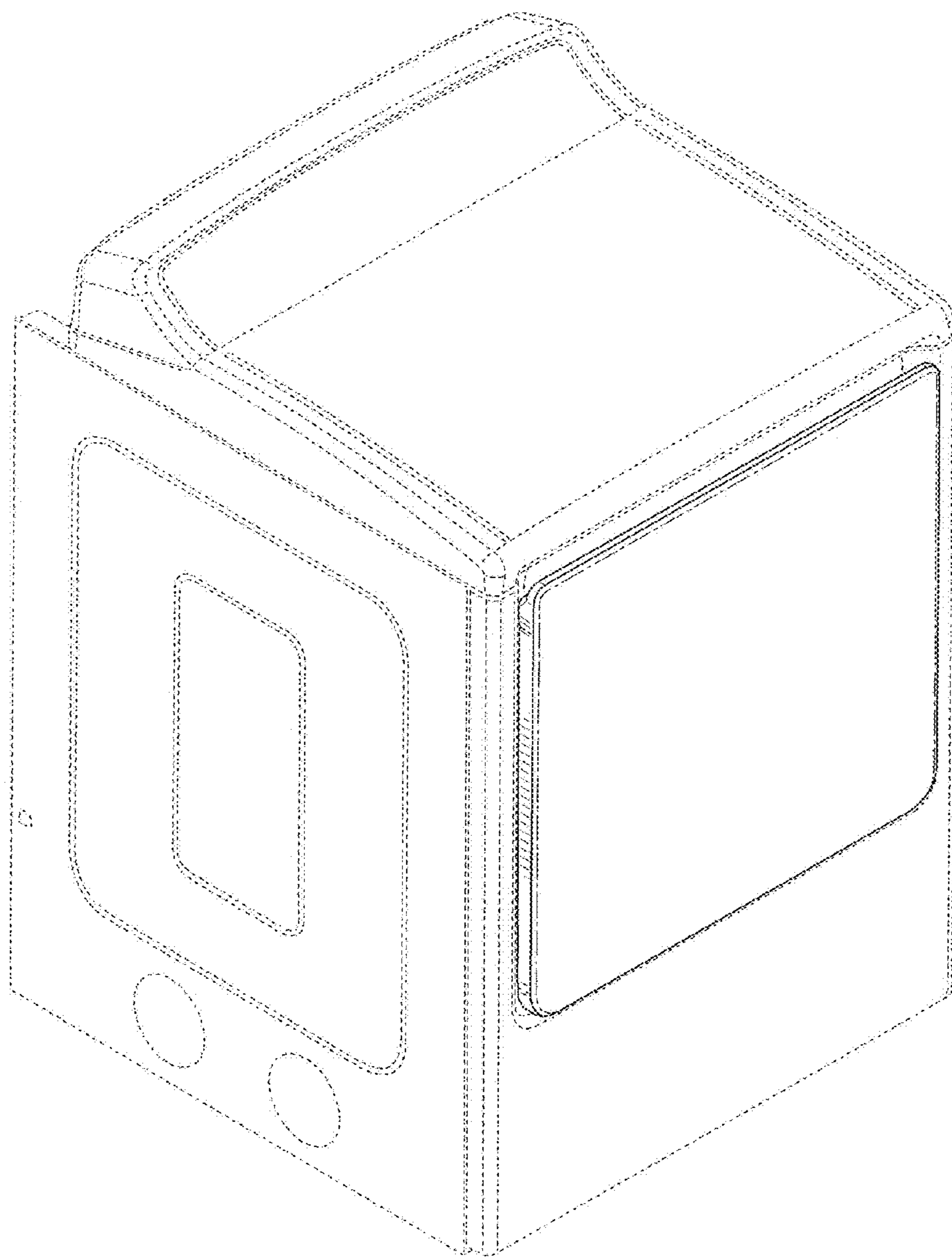


FIG. 2

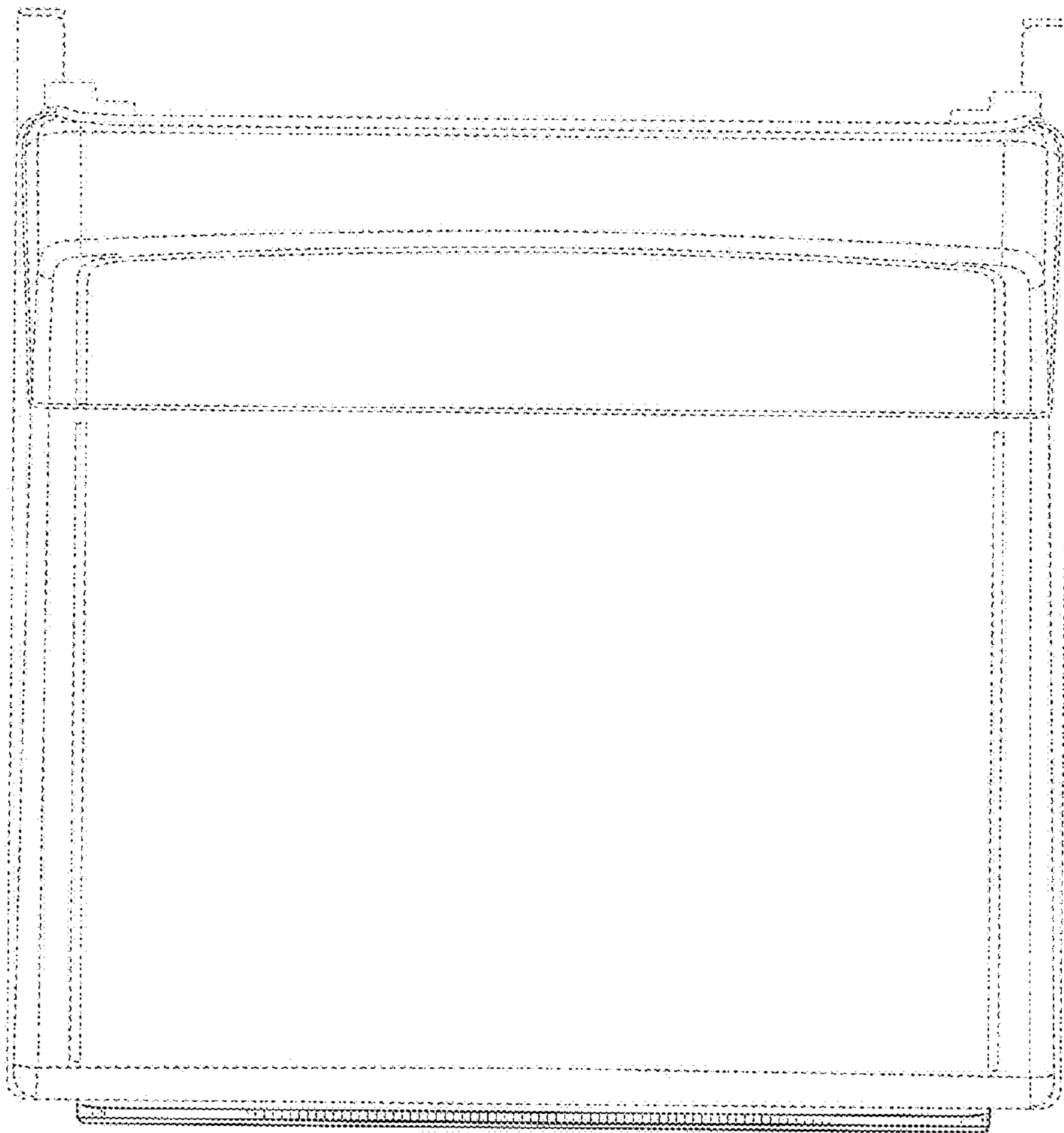


FIG. 3

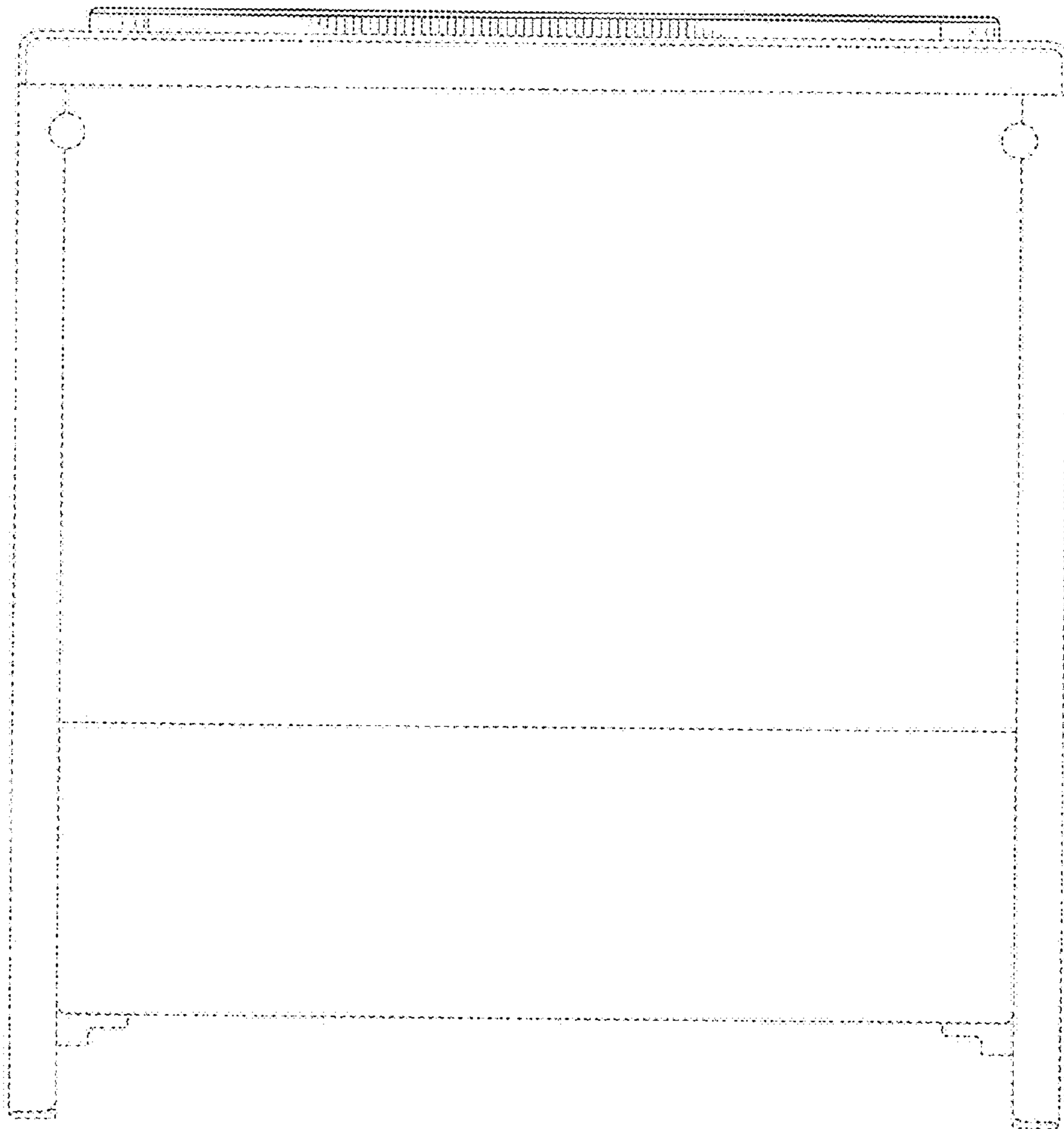


FIG. 4

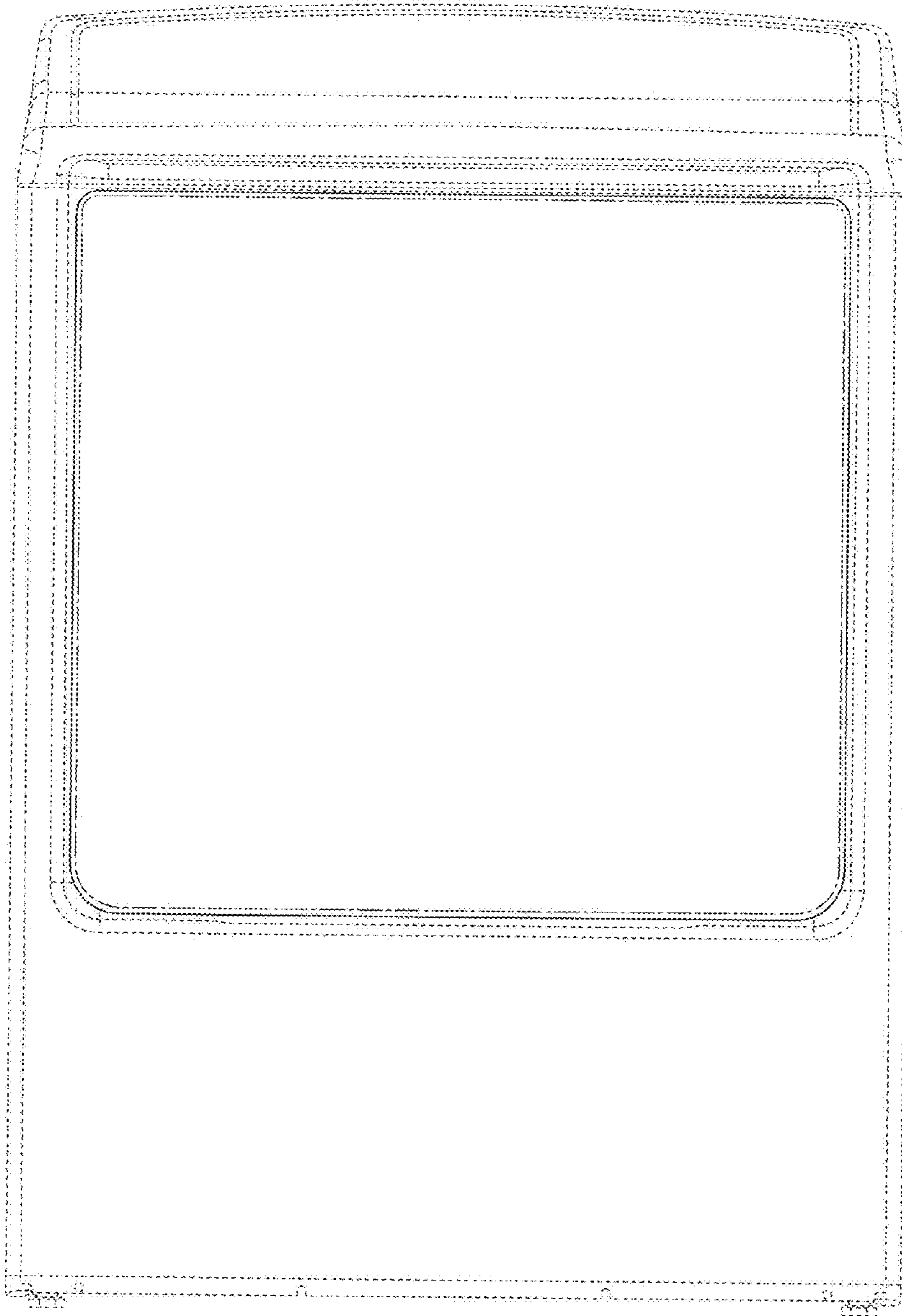


FIG. 5

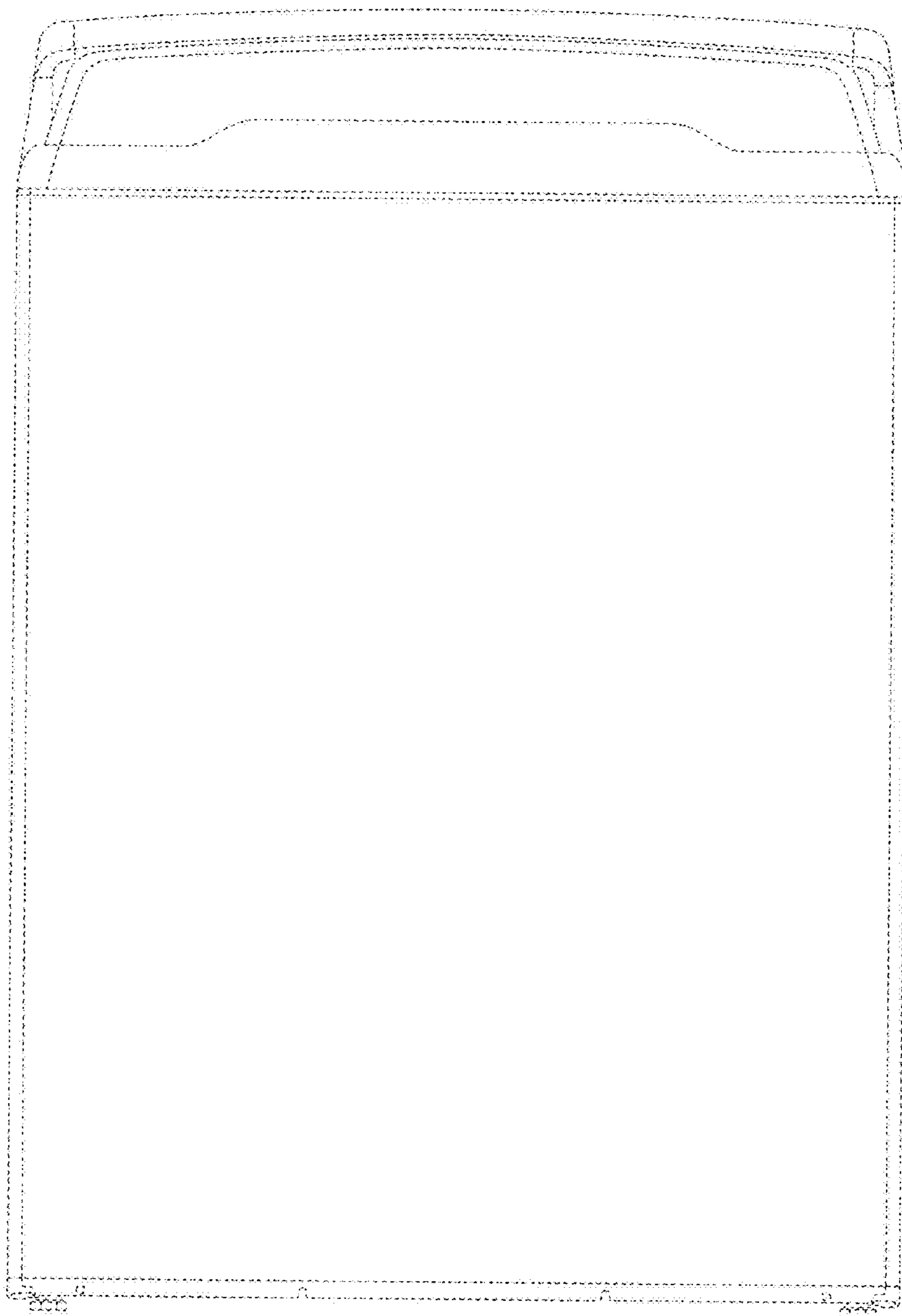


FIG. 6

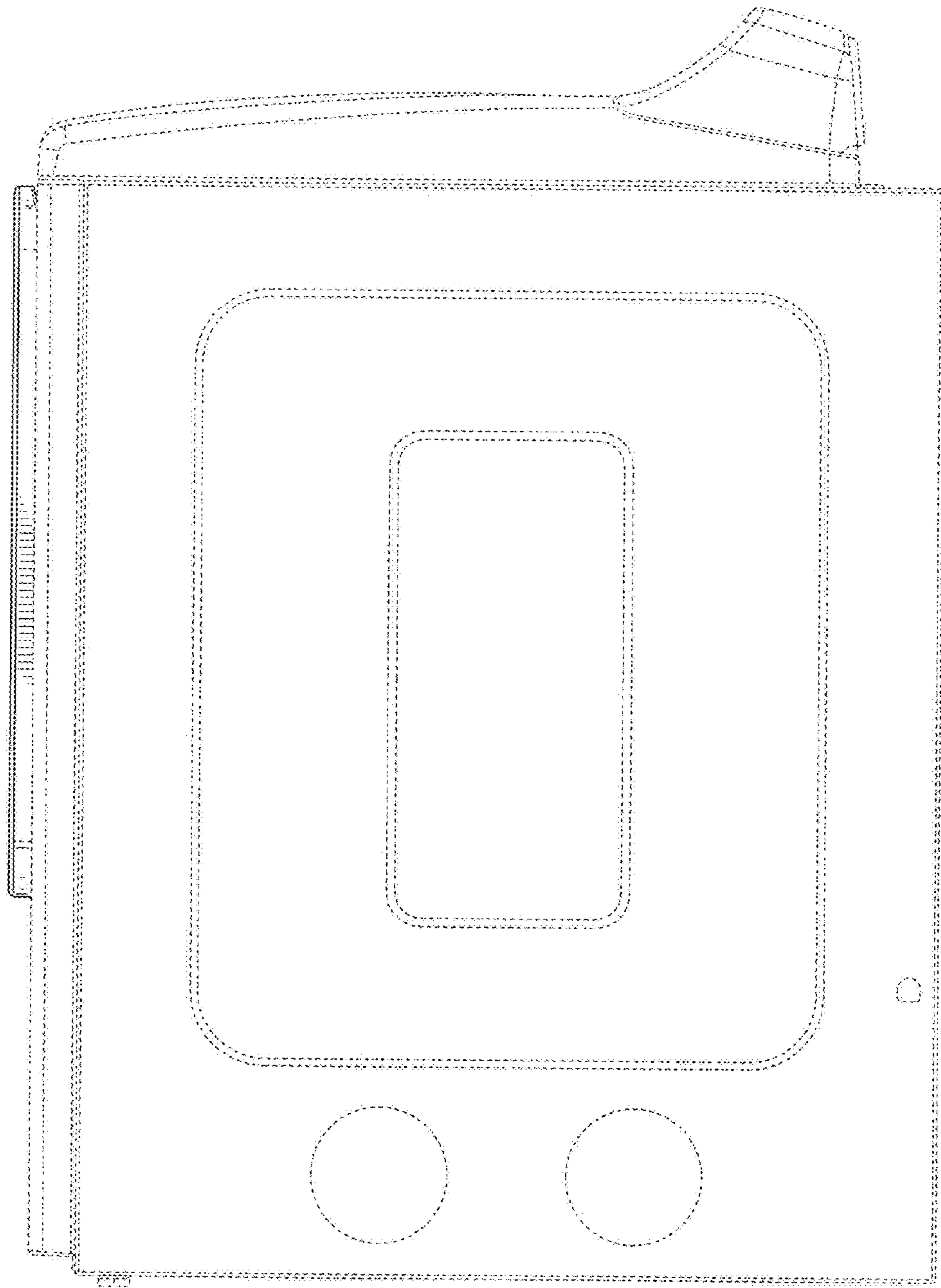


FIG. 7



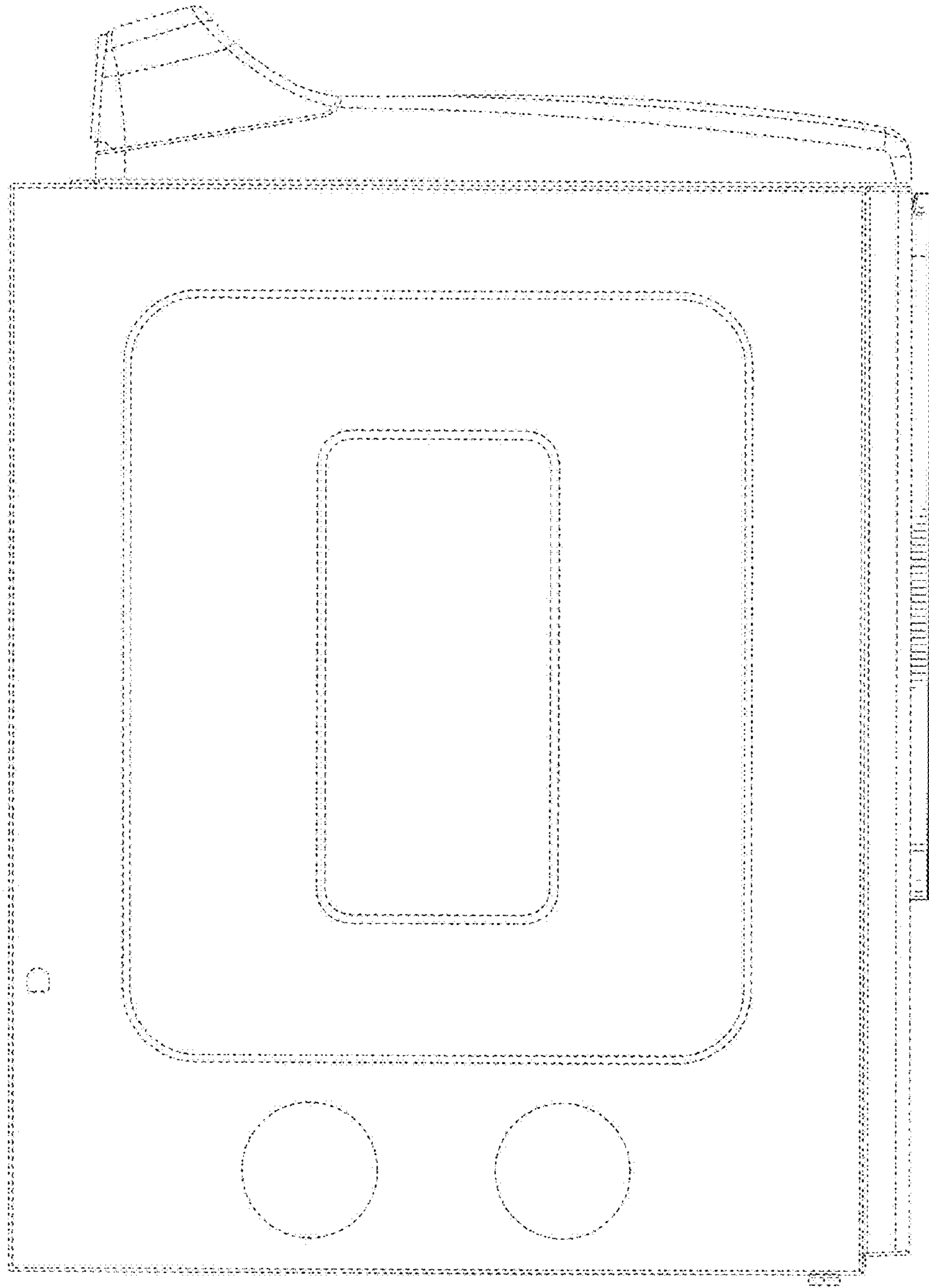


FIG. 8