



US00D758031S

(12) **United States Design Patent**
Bixby et al.

(10) **Patent No.:** **US D758,031 S**
(45) **Date of Patent:** **** May 31, 2016**

- (54) **FRONTLOAD DRYING APPLIANCE**
- (71) Applicant: **Whirlpool Corporation**, Benton Harbor, MI (US)
- (72) Inventors: **Seth E. Bixby**, Stevensville, MI (US); **Richard K. Gresens**, Saint Joseph, MI (US); **John W. McConnell**, Saint Joseph, MI (US); **Patrick J. Schiavone**, Benton Harbor, MI (US); **Samuel B. Breneman**, Saint Joseph, MI (US)
- (73) Assignee: **Whirlpool Corporation**, Benton Harbor, MI (US)
- (**) Term: **14 Years**
- (21) Appl. No.: **29/499,766**
- (22) Filed: **Aug. 19, 2014**
- (51) **LOC (10) Cl.** **15-05**
- (52) **U.S. Cl.**
USPC **D32/25**
- (58) **Field of Classification Search**
USPC D32/1-6, 8, 10, 24, 25, 28; 34/58, 108, 34/242, 595-597; 312/228
CPC D06F 58/00; D06F 58/04; D06F 58/10; D06F 58/28
See application file for complete search history.

(56) **References Cited**

U.S. PATENT DOCUMENTS

D484,652 S *	12/2003	Clark	D32/28
D496,507 S *	9/2004	Johnson	D32/28
D521,197 S *	5/2006	Kim	D32/8
D575,464 S *	8/2008	Rossetto	D32/8
D619,314 S *	7/2010	Bixby	D32/25
D661,852 S *	6/2012	Song	D32/8
D699,906 S *	2/2014	Choi	D32/25
D700,410 S *	2/2014	Hwang	D32/25
D701,659 S *	3/2014	Choi	D32/8
D703,887 S *	4/2014	Lee	D32/8

8,820,861 B2 *	9/2014	Kim	D06F 39/14 16/330
8,936,330 B2 *	1/2015	Kim	D06F 33/02 126/190
D729,467 S *	5/2015	Jee	D32/6
9,049,929 B2 *	6/2015	Kilgore	
2009/0193678 A1 *	8/2009	Latack	D06F 58/08 34/139
2013/0193823 A1 *	8/2013	Cho	D06F 39/14 312/319.2

* cited by examiner

Primary Examiner — Rosemary K Tarcza

Assistant Examiner — Yolanda Robinson

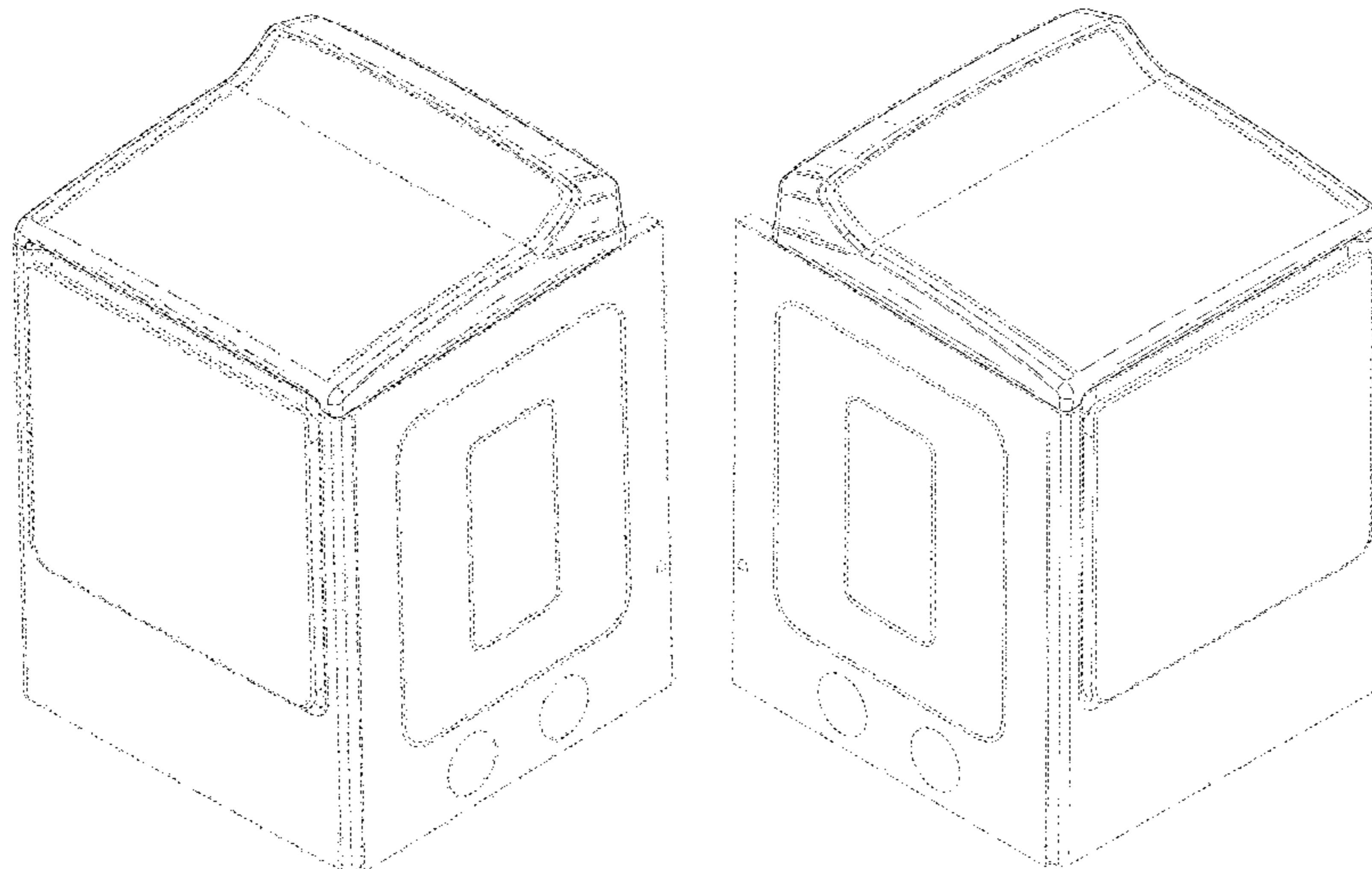
(57) **CLAIM**

We claim the ornamental design for a frontload drying appliance, as shown and described.

DESCRIPTION

FIG. 1 is a first top perspective view of the frontload drying appliance of the present invention;
 FIG. 2 is a second top perspective view of the frontload drying appliance the present invention;
 FIG. 3 is a top plan view of the frontload drying appliance the present invention;
 FIG. 4 is a bottom plan view of the frontload drying appliance of the present invention;
 FIG. 5 is a first side elevation view of the frontload drying appliance of the present invention;
 FIG. 6 is a second side elevation view of the frontload drying appliance of the present invention;
 FIG. 7 is a third side elevation view of the frontload drying appliance of the present invention; and,
 FIG. 8 is a fourth side elevation view of the frontload drying appliance of the present invention.
 The broken lines shown in the figures are for the purpose of illustrating unclaimed portions of the frontload drying appliance, and form no part of the claimed design.
 The dash-dot broken line(s) define the bounds of the claimed design and form no part thereof.

1 Claim, 8 Drawing Sheets



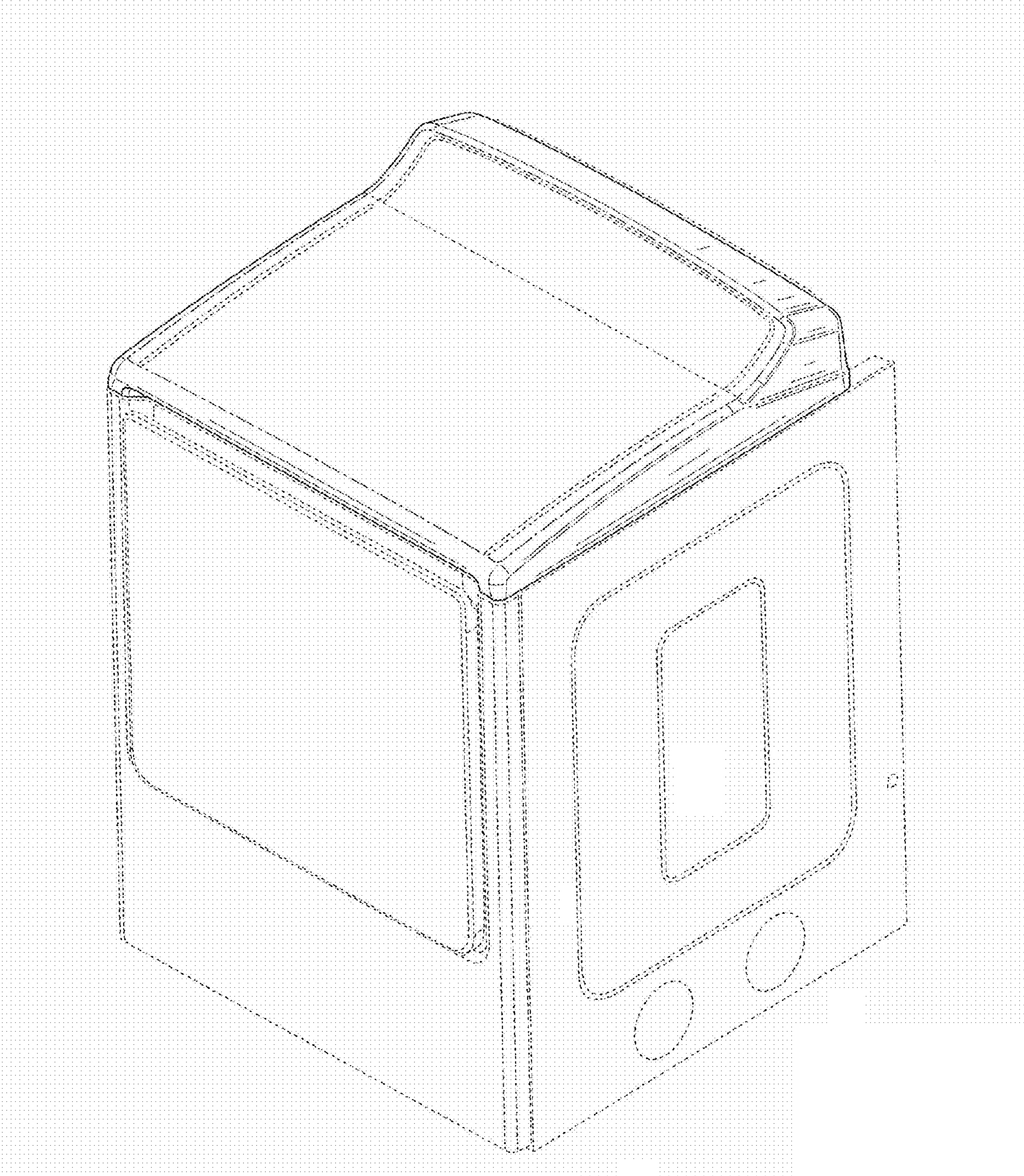


FIG. 1

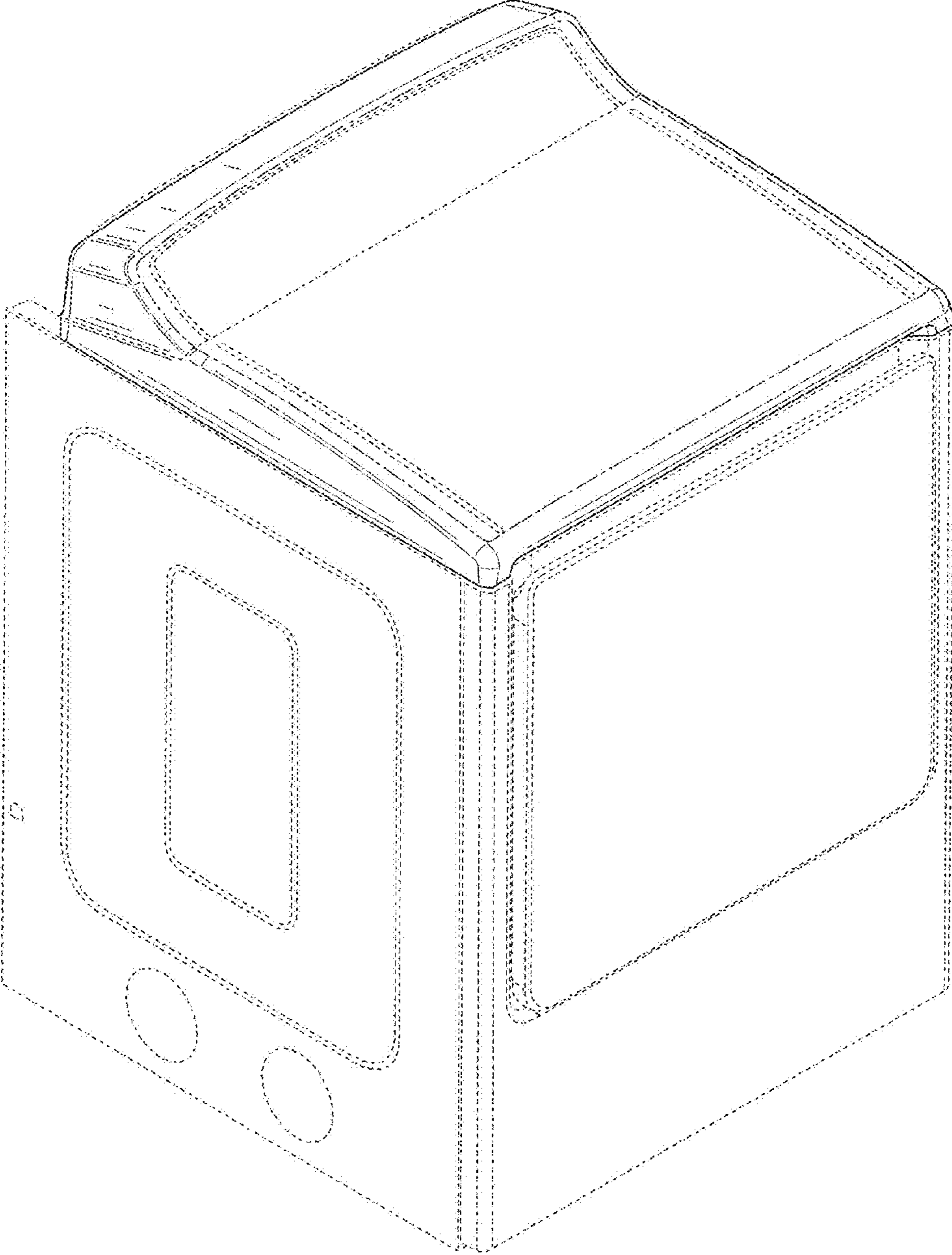


FIG. 2

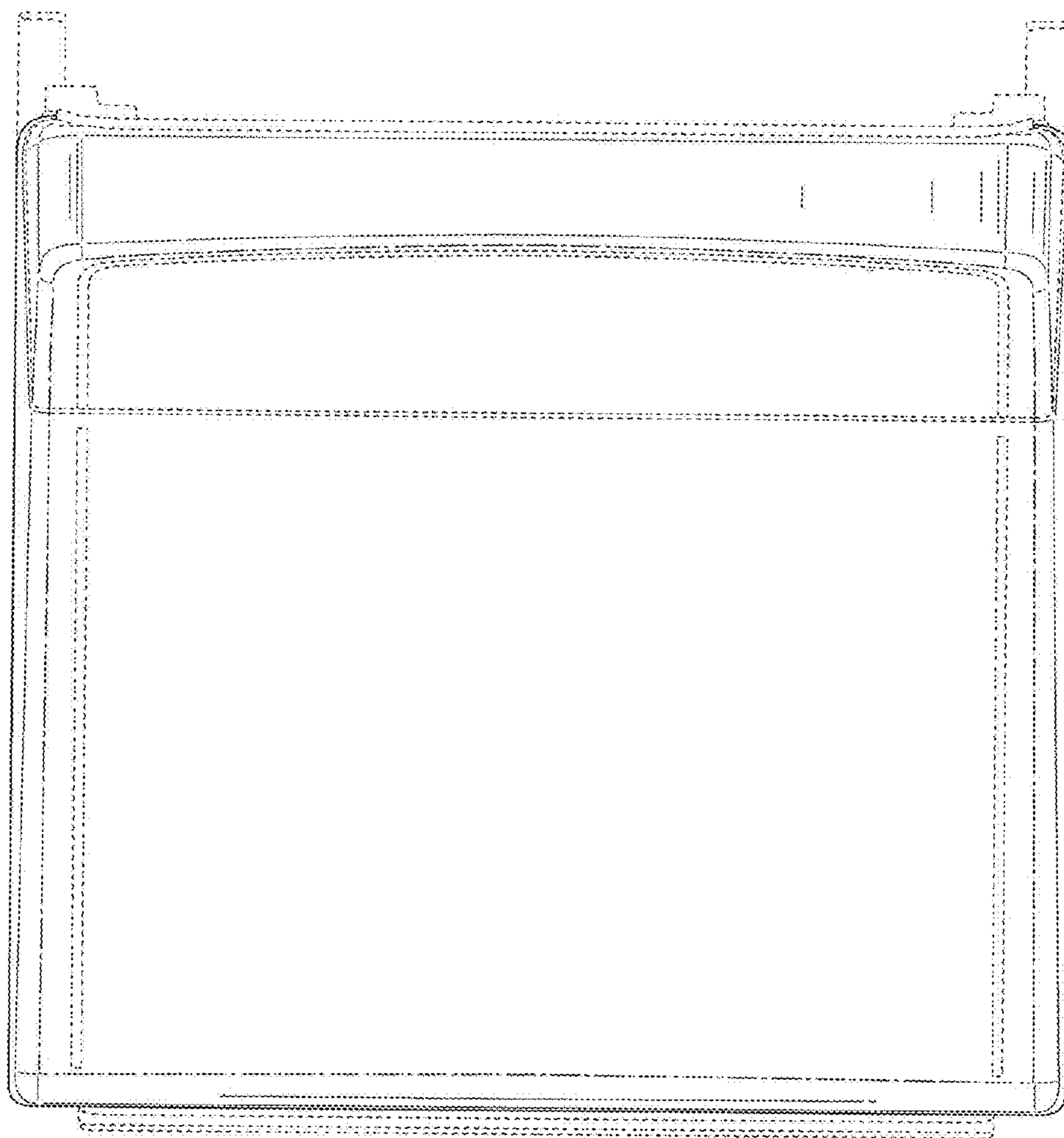


FIG. 3

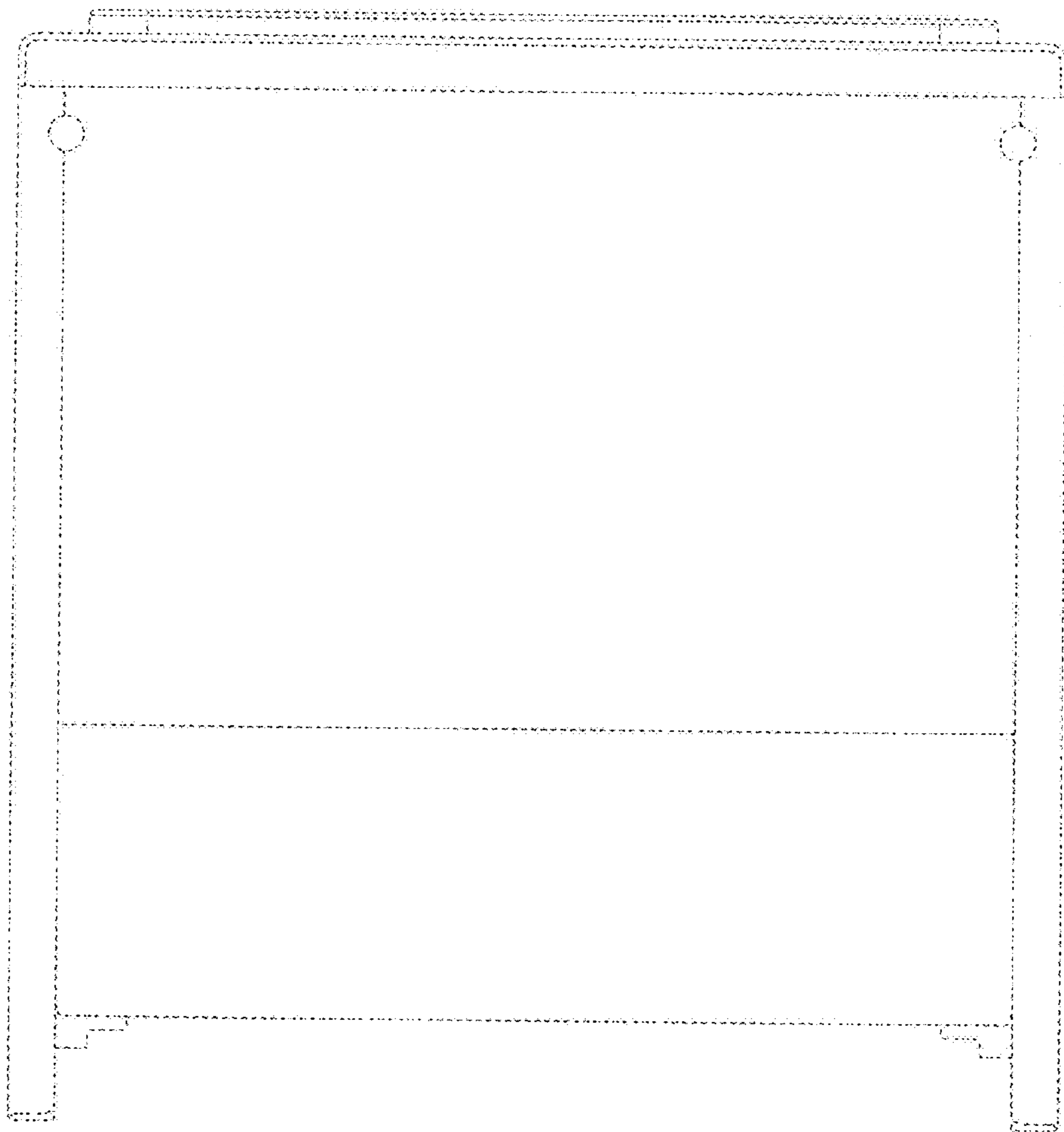


FIG. 4

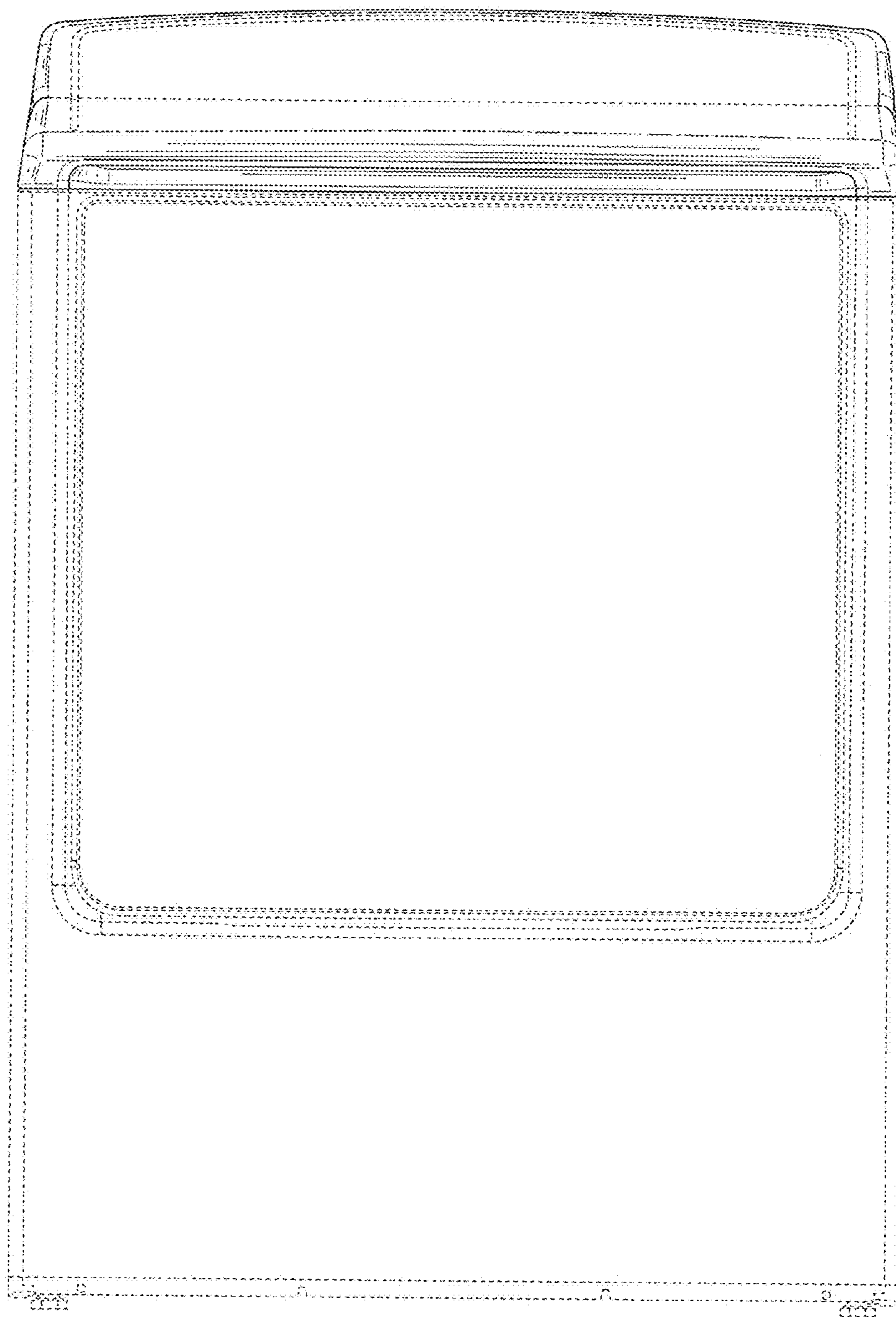


FIG. 5

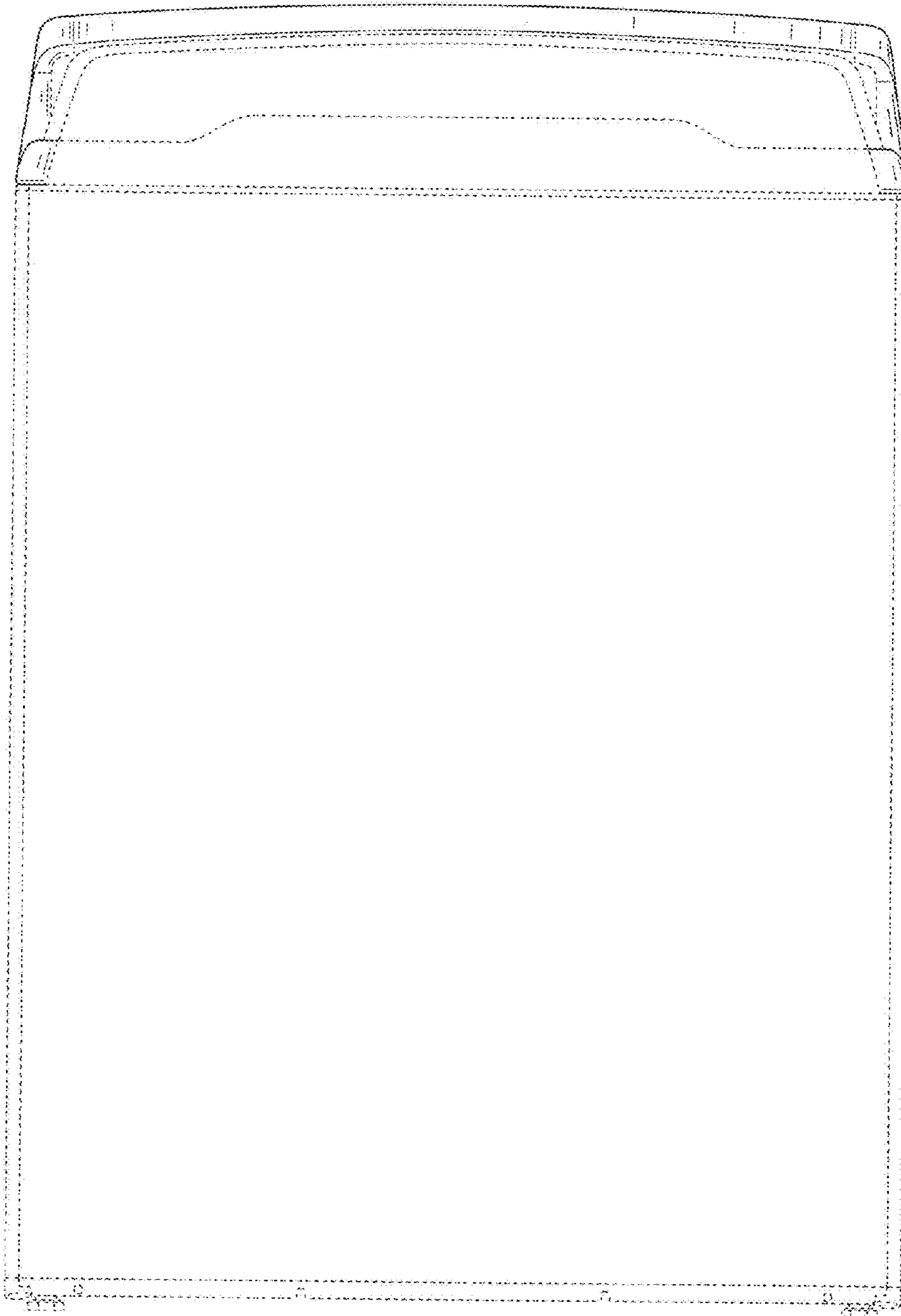


FIG. 6

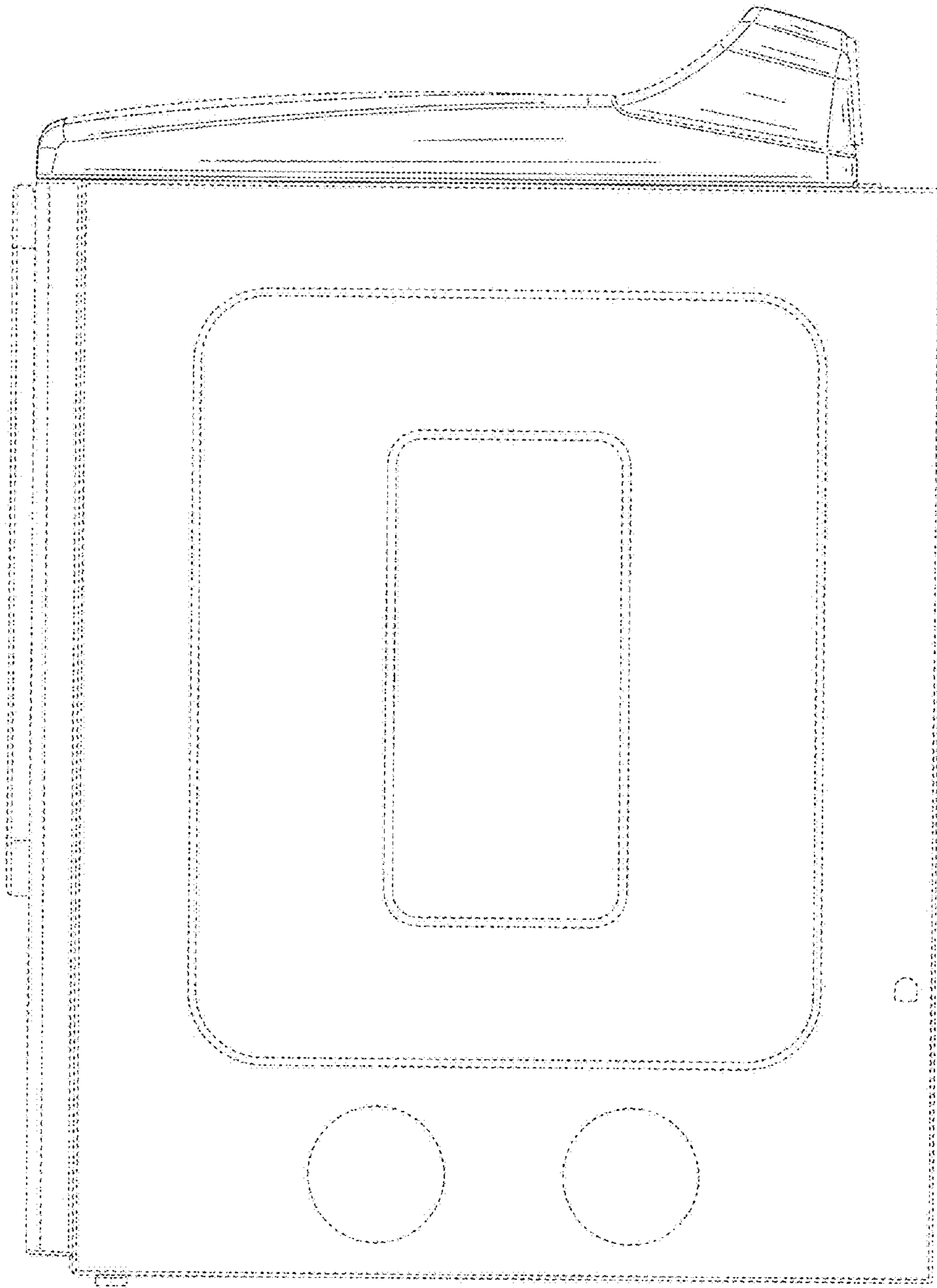


FIG. 7

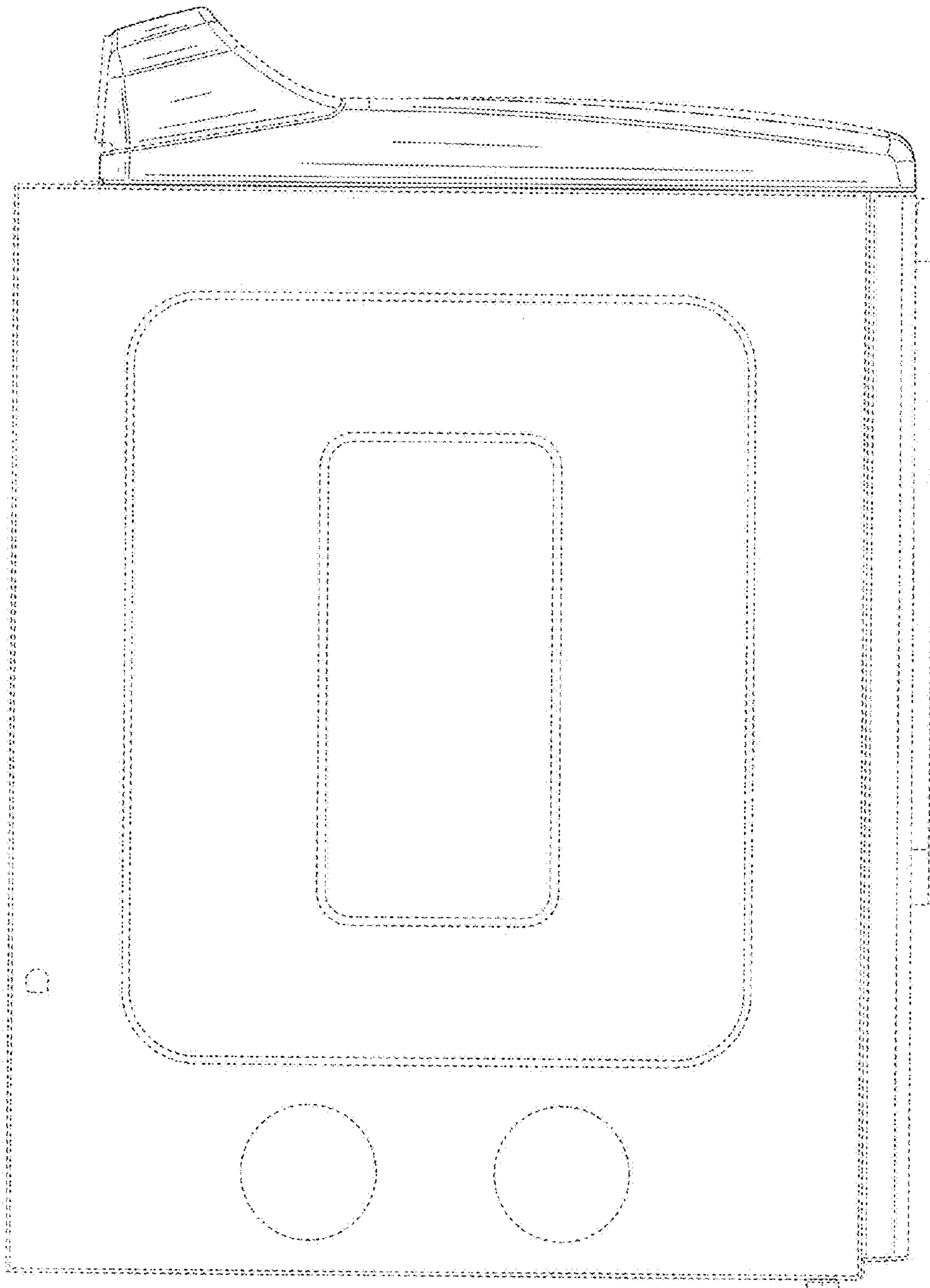


FIG. 8