



US00D758030S

(12) **United States Design Patent**
Bixby et al.

(10) **Patent No.:** **US D758,030 S**
(45) **Date of Patent:** **** May 31, 2016**

- (54) **FRONTLOAD DRYING APPLIANCE**
- (71) Applicant: **Whirlpool Corporation**, Benton Harbor, MI (US)
- (72) Inventors: **Seth E. Bixby**, Stevensville, MI (US); **Richard K. Gresens**, Saint Joseph, MI (US); **John W. McConnell**, Saint Joseph, MI (US); **Patrick J. Schiavone**, Benton Harbor, MI (US); **Samuel B. Breneman**, Saint Joseph, MI (US)
- (73) Assignee: **Whirlpool Corporation**, Benton Harbor, MI (US)
- (**) Term: **14 Years**
- (21) Appl. No.: **29/499,761**
- (22) Filed: **Aug. 19, 2014**
- (51) **LOC (10) Cl.** **15-05**
- (52) **U.S. Cl.**
USPC **D32/25**
- (58) **Field of Classification Search**
USPC D32/1, 6, 8, 10, 24, 25, 28; 34/58, 108, 34/242, 595-597; 312/228
CPC D06F 58/00; D06F 58/02; D06F 58/04; D06F 58/10; D06F 58/28
See application file for complete search history.

- 8,936,330 B2 * 1/2015 Kim D06F 33/02 126/190
- D729,467 S * 5/2015 Jee D32/6
- 9,200,842 B2 * 12/2015 Hopkins D06F 58/28
- 2009/0193678 A1 * 8/2009 Latack D06F 58/08 34/139
- 2013/0193823 A1 * 8/2013 Cho D06F 39/14 312/319.2

* cited by examiner

Primary Examiner — Rosemary K Tarcza
Assistant Examiner — Yolanda Robinson

(57) **CLAIM**

We claim the ornamental design for a frontload drying appliance, as shown and described.

DESCRIPTION

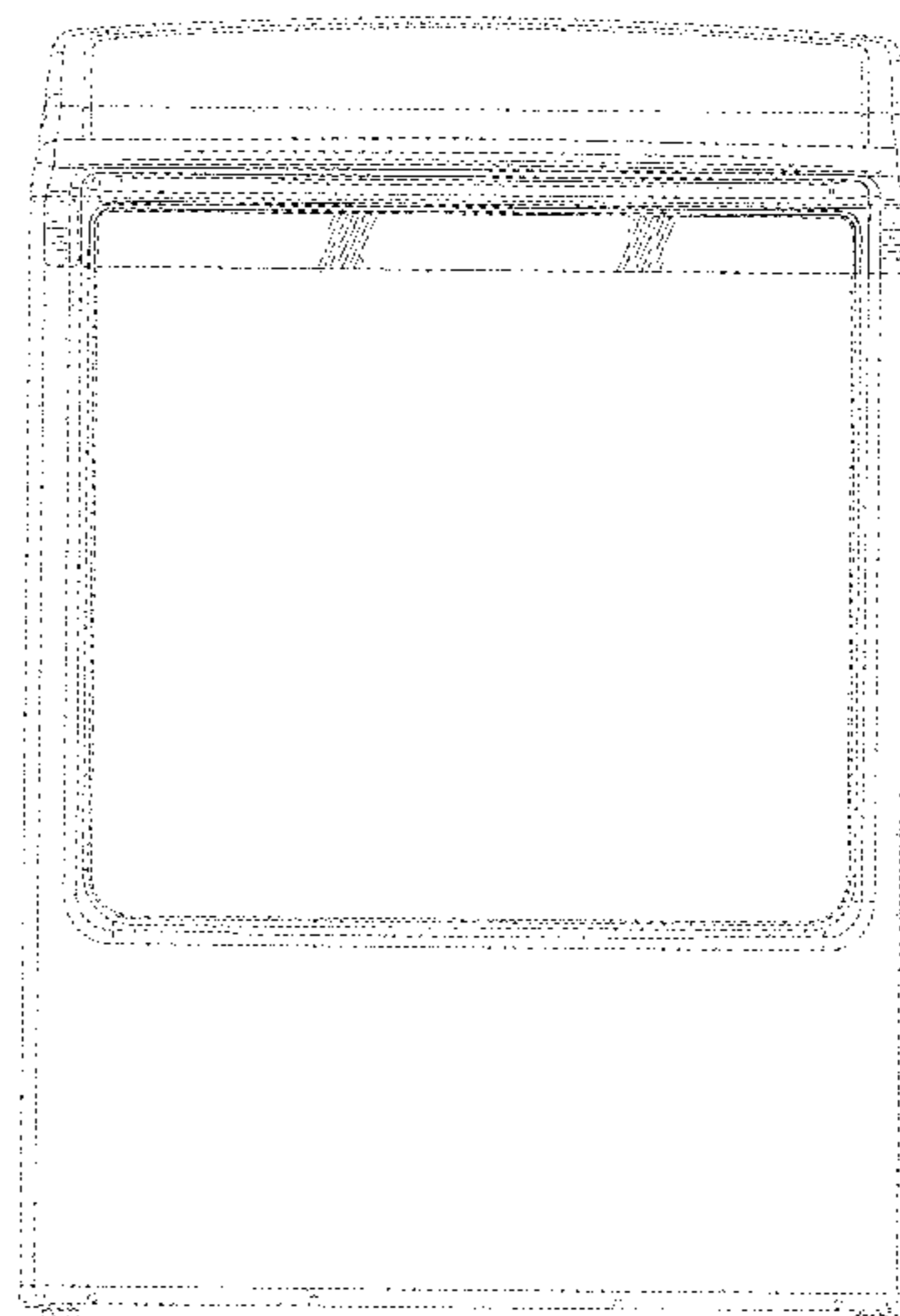
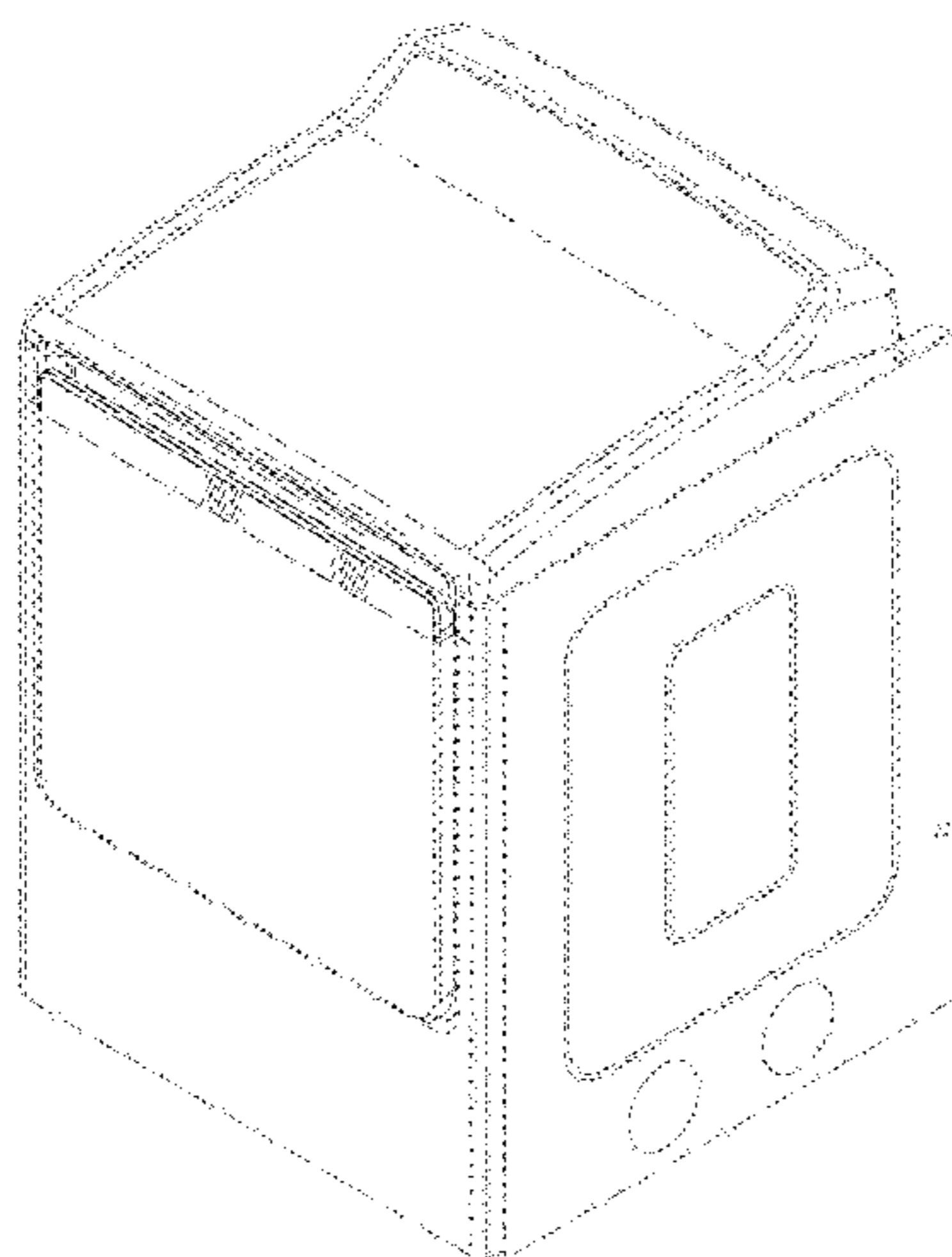
FIG. 1 is a first top perspective view of the frontload drying appliance of the present invention;
 FIG. 2 is a second top perspective view of the frontload drying appliance of the present invention;
 FIG. 3 is a top plan view of the frontload drying appliance of the present invention;
 FIG. 4 is a bottom plan view of the frontload drying appliance of the present invention;
 FIG. 5 is a first side elevation view of the frontload drying appliance of the present invention;
 FIG. 6 is a second side elevation view of the frontload drying appliance of the present invention;
 FIG. 7 is a third side elevation view of the frontload drying appliance of the present invention; and,
 FIG. 8 is a fourth side elevation view of the frontload drying appliance of the present invention.
 The broken lines shown in the figures are for the purpose of illustrating unclaimed portions of the frontload drying appliance, and form no part of the claimed design.
 The dash-dot broken line(s) define the bounds of the claimed design and form no part thereof.

1 Claim, 8 Drawing Sheets

(56) **References Cited**

U.S. PATENT DOCUMENTS

- D521,197 S * 5/2006 Kim D32/8
- D575,464 S * 8/2008 Rossetto D32/8
- D619,314 S * 7/2010 Bixby D32/25
- D661,852 S * 6/2012 Song D32/8
- D699,906 S * 2/2014 Choi D32/25
- D700,410 S * 2/2014 Hwang D32/25
- D701,659 S * 3/2014 Choi D32/8
- D703,887 S * 4/2014 Lee D32/8
- 8,820,861 B2 * 9/2014 Kim D06F 39/14 16/330



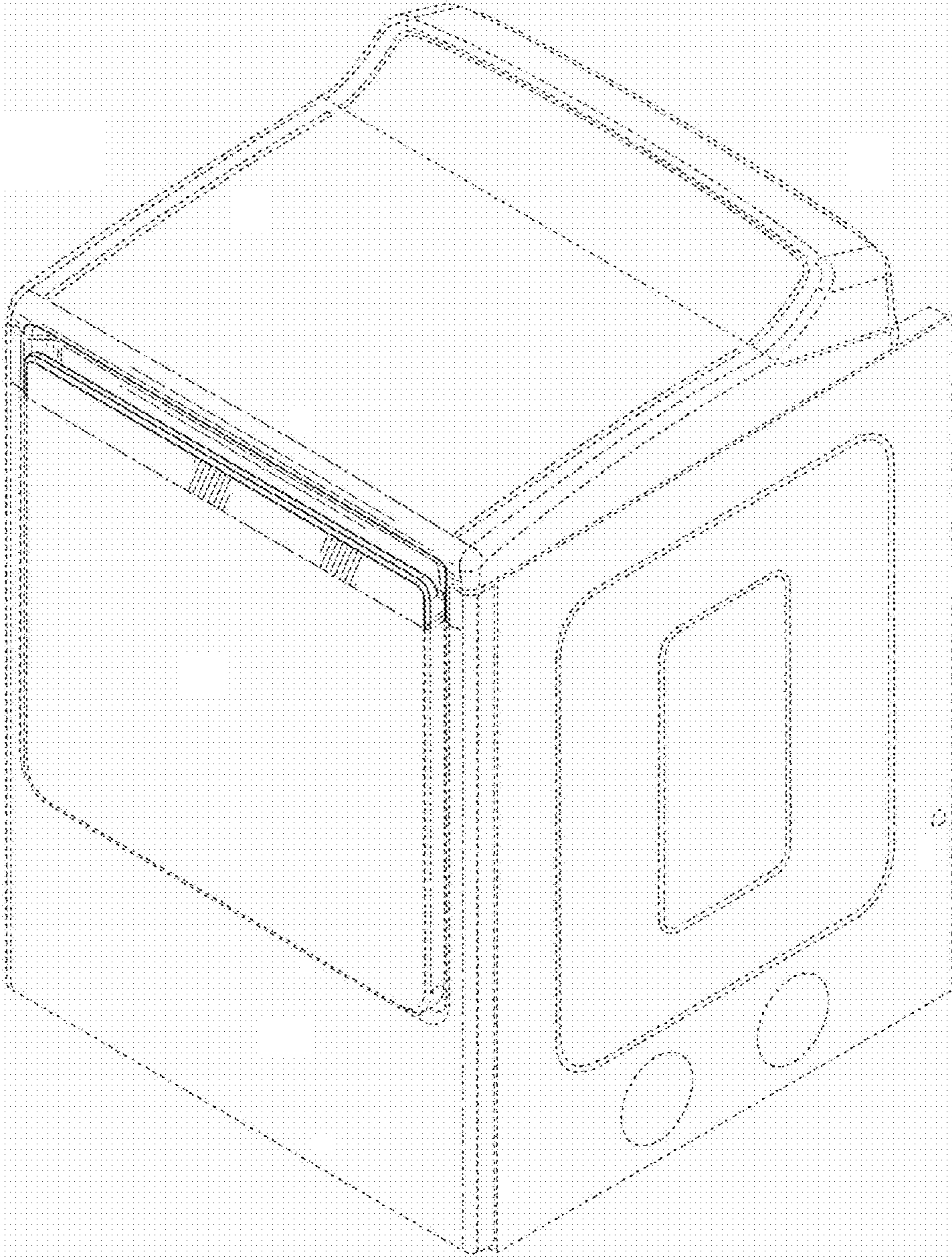


FIG. 1

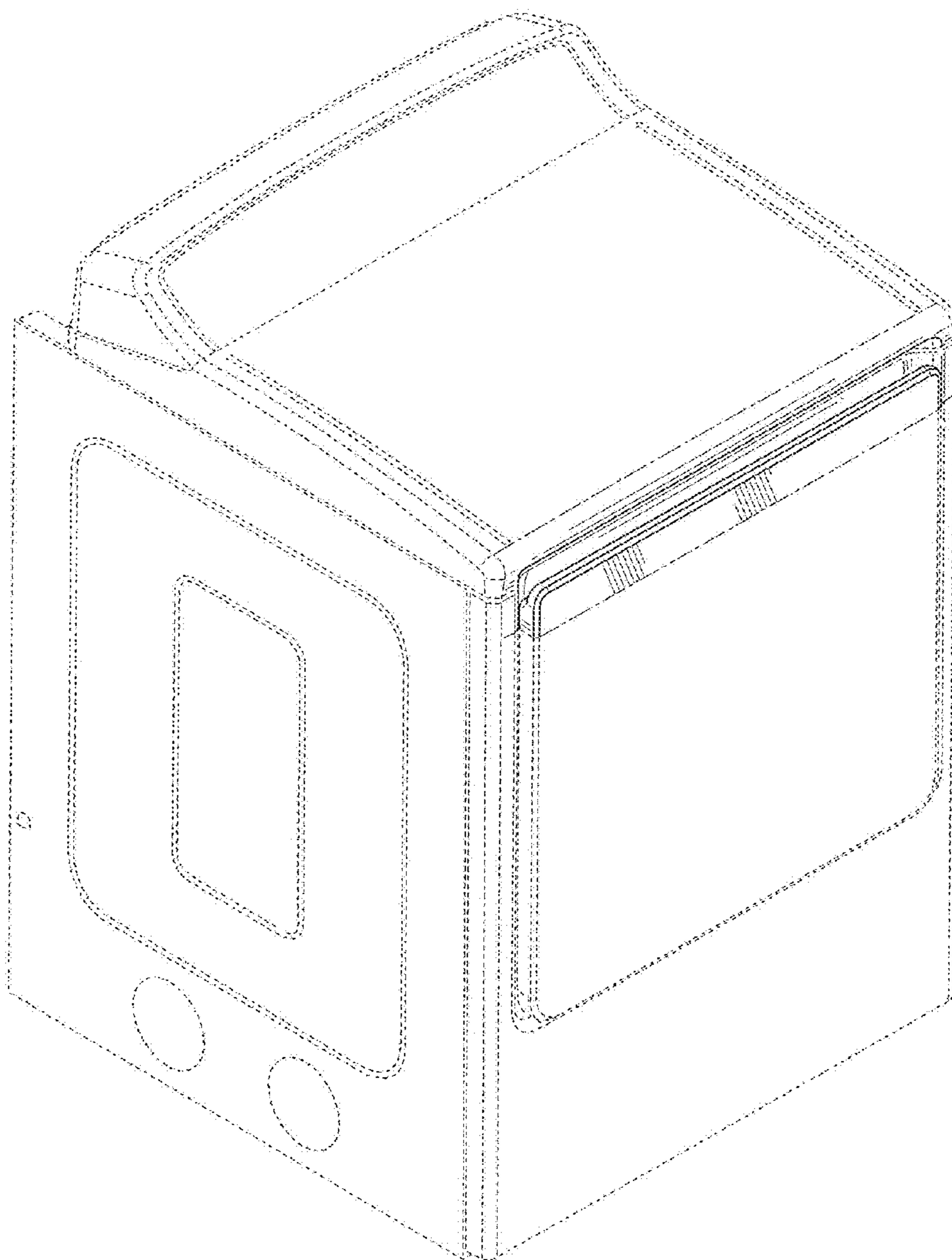


FIG. 2

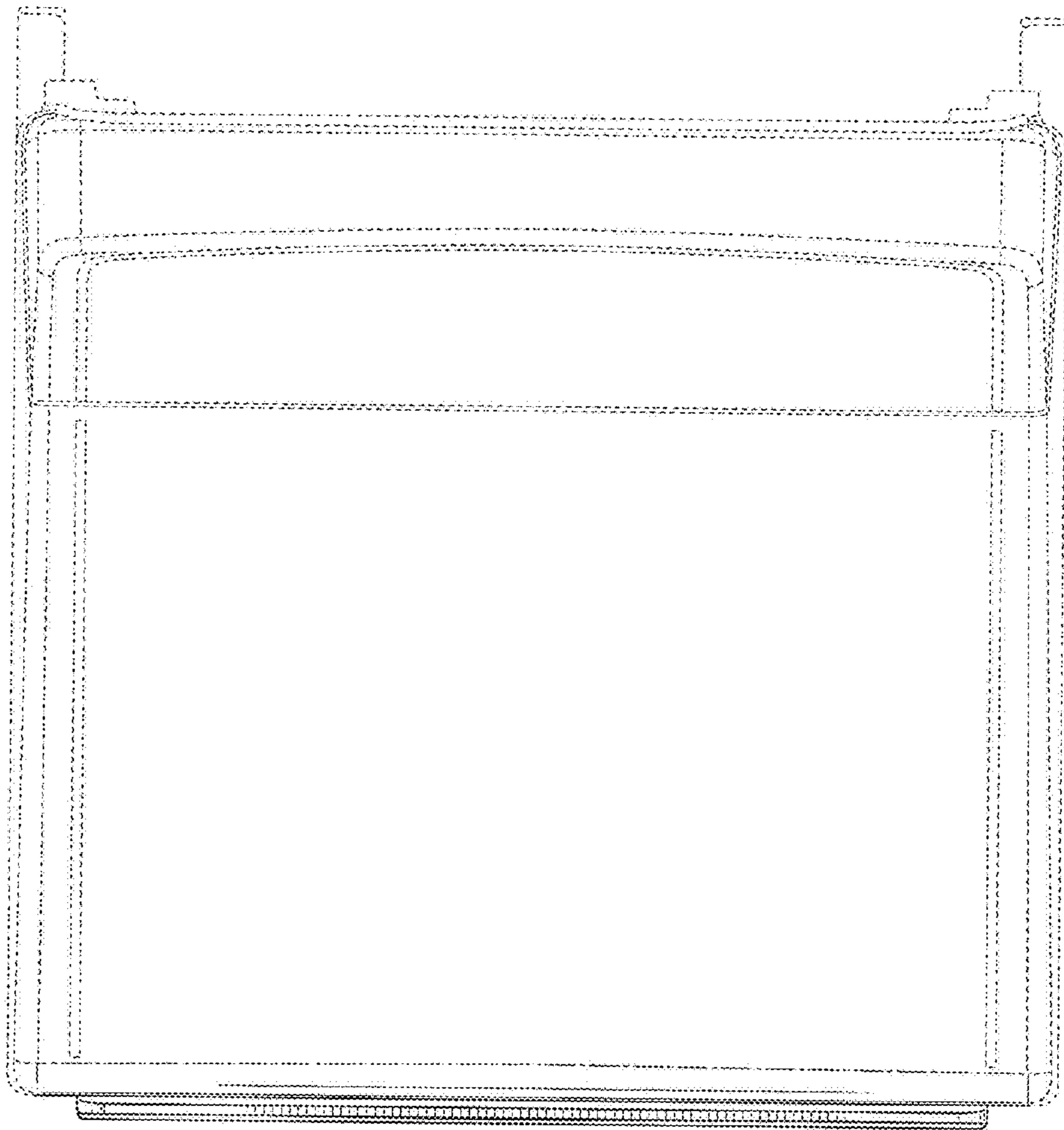


FIG. 3

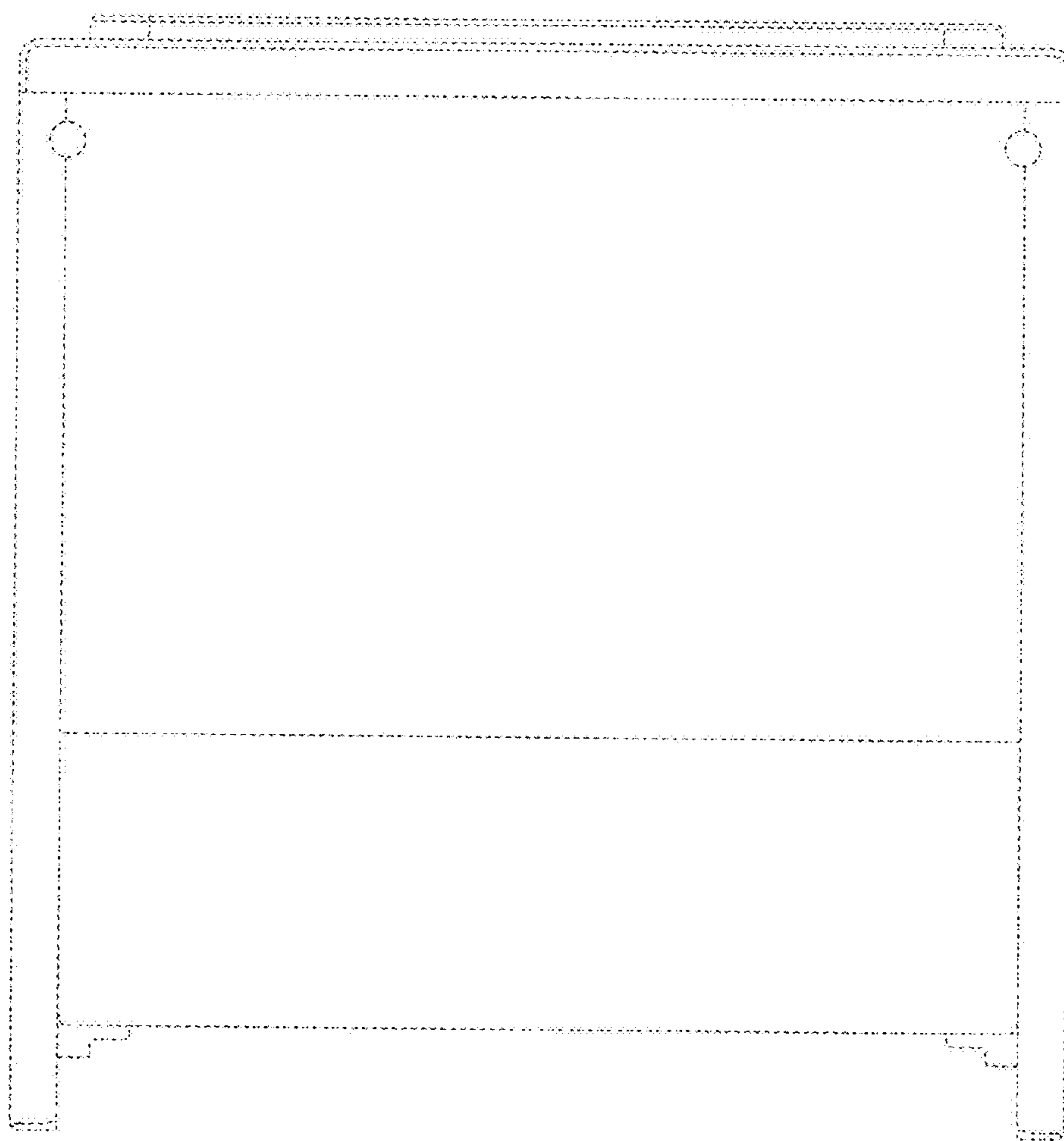


FIG. 4

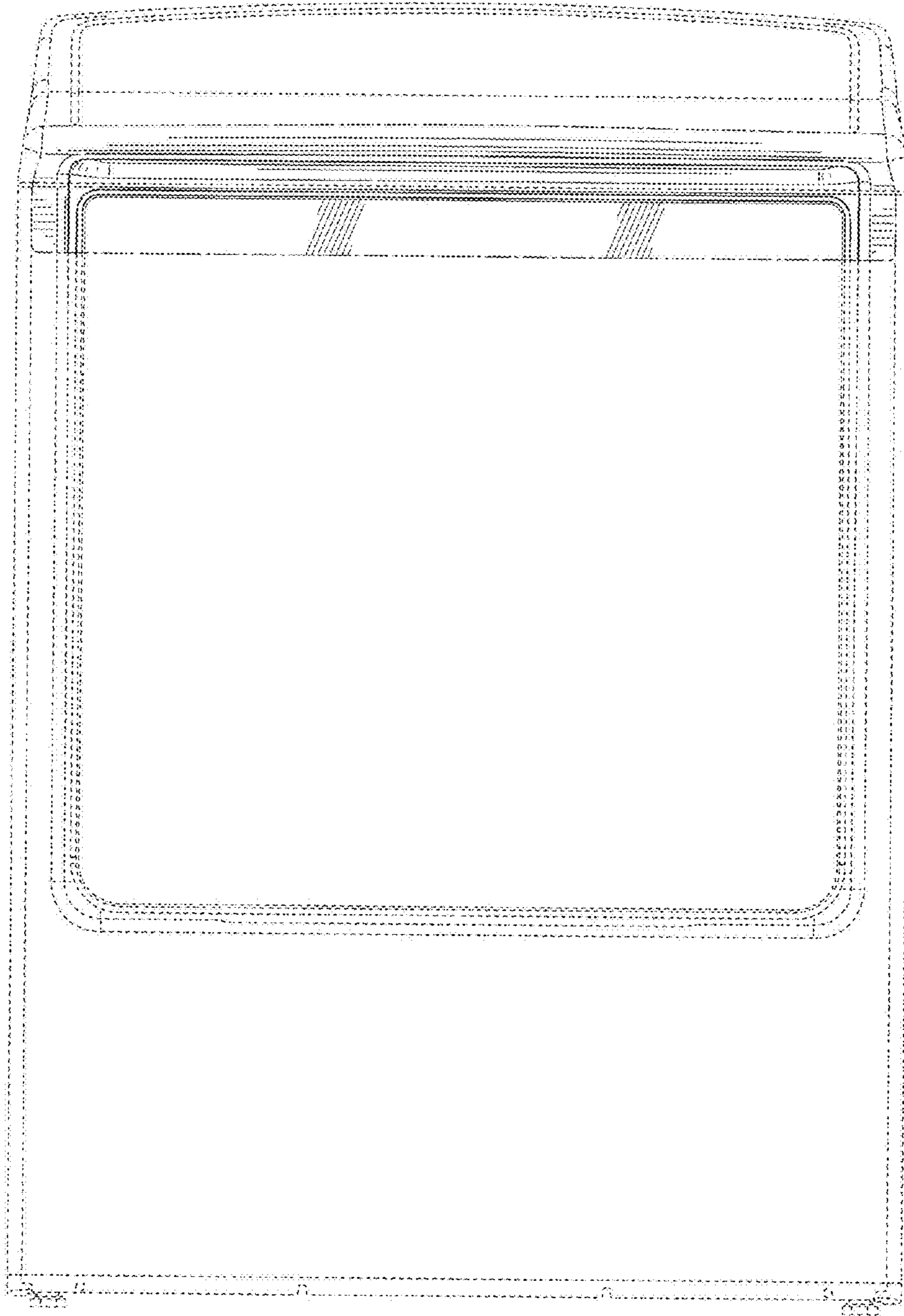


FIG. 5

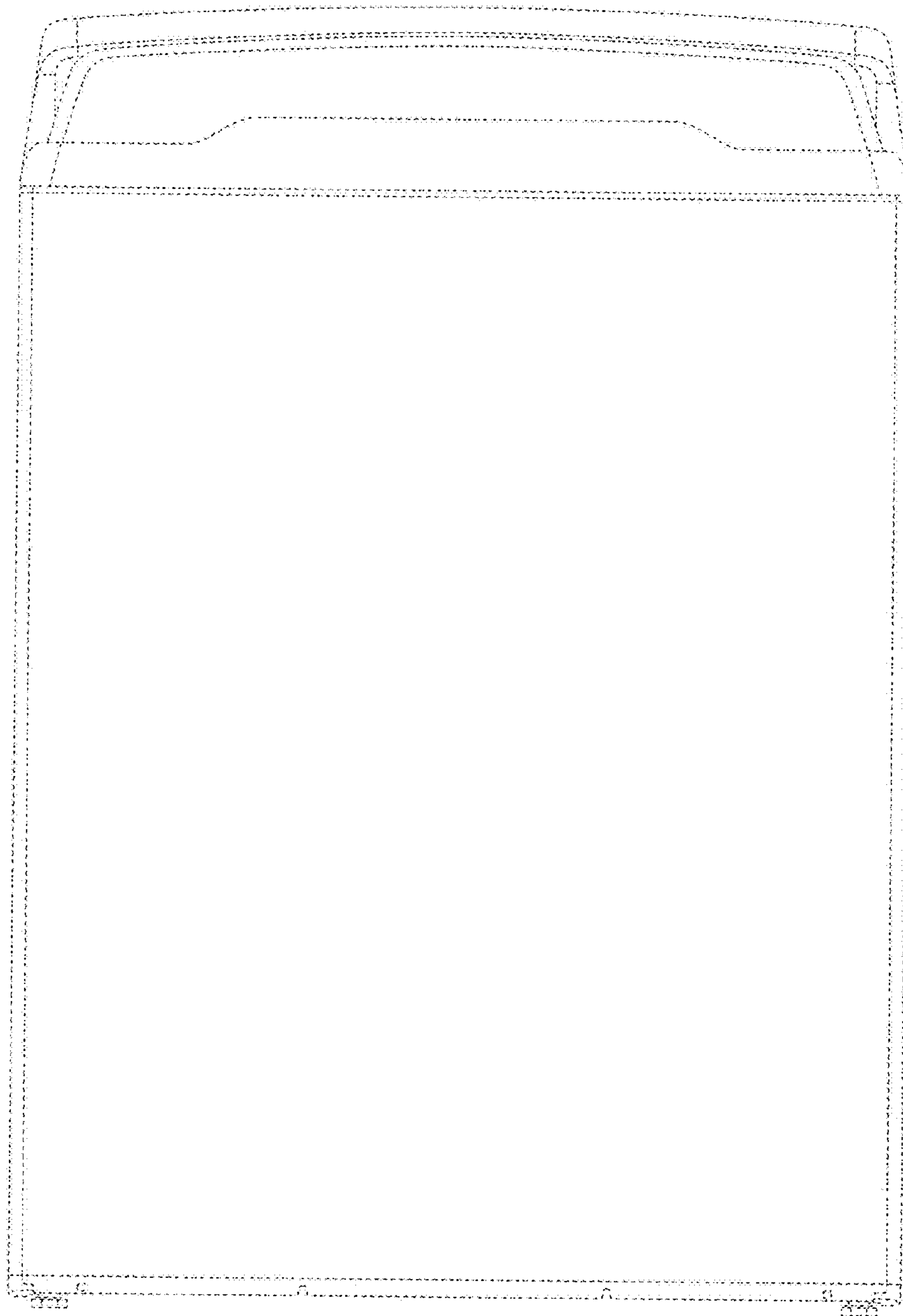


FIG. 6

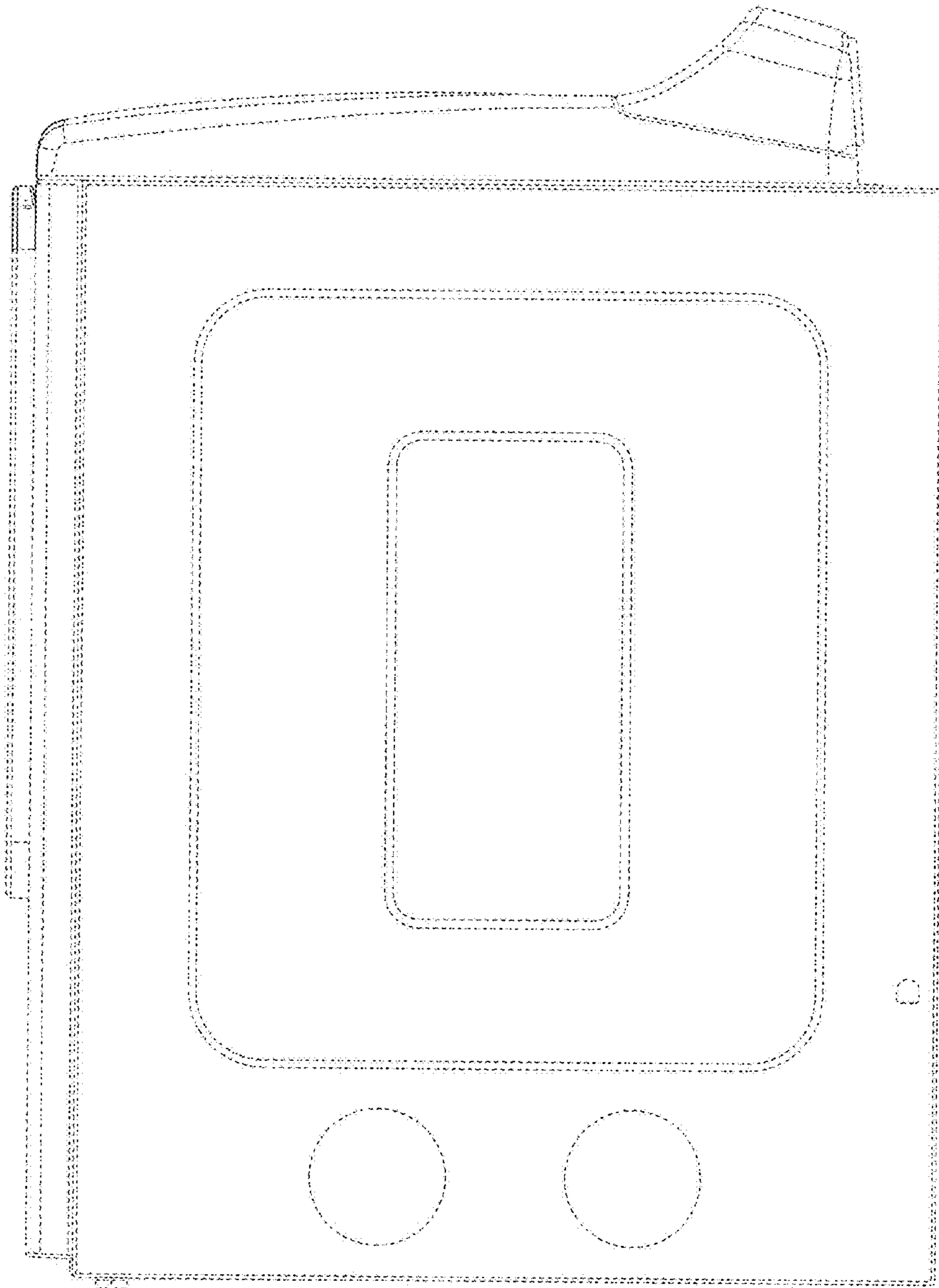


FIG. 7

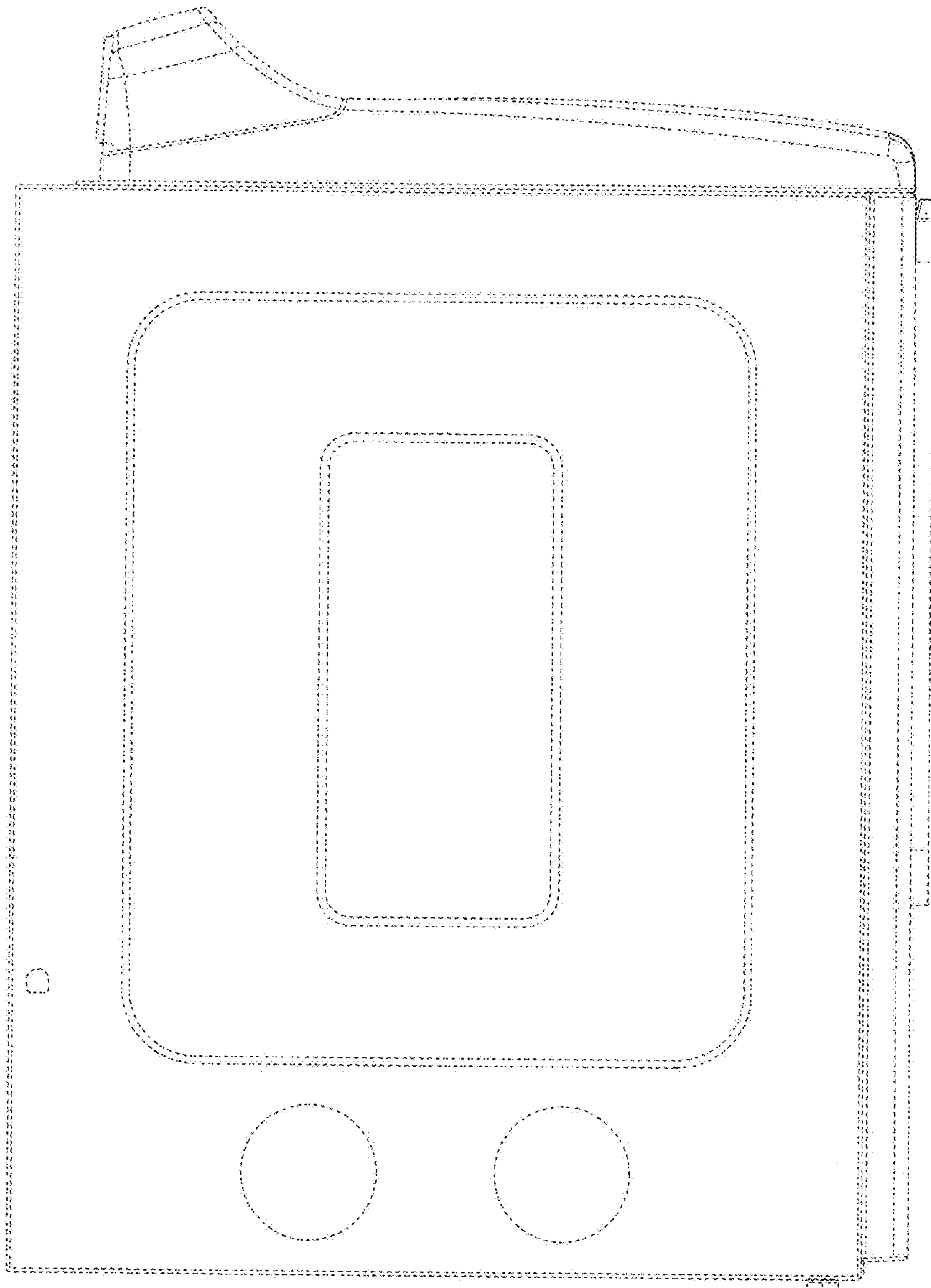


FIG. 8