



US00D758029S

(12) **United States Design Patent**
Bixby et al.

(10) **Patent No.:** **US D758,029 S**
(45) **Date of Patent:** **** May 31, 2016**

(54) **TOPLOAD WASHING APPLIANCE**

(71) Applicant: **Whirlpool Corporation**, Benton Harbor, MI (US)

(72) Inventors: **Seth E. Bixby**, Stevensville, MI (US); **Richard K. Gresens**, Saint Joseph, MI (US); **John W. McConnell**, Saint Joseph, MI (US); **Patrick J. Schiavone**, Benton Harbor, MI (US); **Samuel B. Breneman**, Saint Joseph, MI (US)

(73) Assignee: **Whirlpool Corporation**, Benton Harbor, MI (US)

(**) Term: **14 Years**

(21) Appl. No.: **29/499,746**

(22) Filed: **Aug. 19, 2014**

(51) **LOC (10) Cl.** **15-05**

(52) **U.S. Cl.**
USPC **D32/25**

(58) **Field of Classification Search**

USPC D32/1-6, 8, 10, 24, 25, 28; 312/228, 312/228.1, 294, 326, 236; 8/137; 34/108, 34/595-597

CPC A47B 77/08; D06F 39/022; D06F 39/28; D06F 58/00; B29C 45/0053

See application file for complete search history.

(56) **References Cited**

U.S. PATENT DOCUMENTS

D484,652 S * 12/2003 Clark D32/28
D538,488 S * 3/2007 Carey D32/6

(Continued)

Primary Examiner — Rosemary K Tarcza

Assistant Examiner — Yolanda Robinson

(57) **CLAIM**

We claim the ornamental design for a topload washing appliance, as shown and described.

DESCRIPTION

FIG. 1 is a first top perspective view of the topload washing appliance of the present invention;

FIG. 2 is a second top perspective view of the topload washing appliance the present invention;

FIG. 3 is a top plan view of the topload washing appliance the present invention;

FIG. 4 is a bottom plan view of the topload washing appliance of the present invention;

FIG. 5 is a first side elevation view of the topload washing appliance of the present invention;

FIG. 6 is a second side elevation view of the topload washing appliance of the present invention;

FIG. 7 is a third side elevation view of the topload washing appliance of the present invention; and

FIG. 8 is a fourth side elevation view of the topload washing appliance of the present invention.

FIG. 9 is another first side elevation view of the topload washing appliance of the present invention with the door in an open position to view the underside of the washing appliance door

FIG. 10 is a first top perspective view of the topload washing appliance of the present invention;

FIG. 11 is a second top perspective view of the topload washing appliance of the present invention;

FIG. 12 is a top plan view of the topload washing appliance of the present invention;

FIG. 13 is a bottom plan view of the topload washing appliance of the present invention;

FIG. 14 is a first side elevation view of the topload washing appliance of the present invention;

FIG. 15 is a second side elevation view of the topload washing appliance of the present invention;

FIG. 16 is a third elevation view of the topload washing appliance of the present invention;

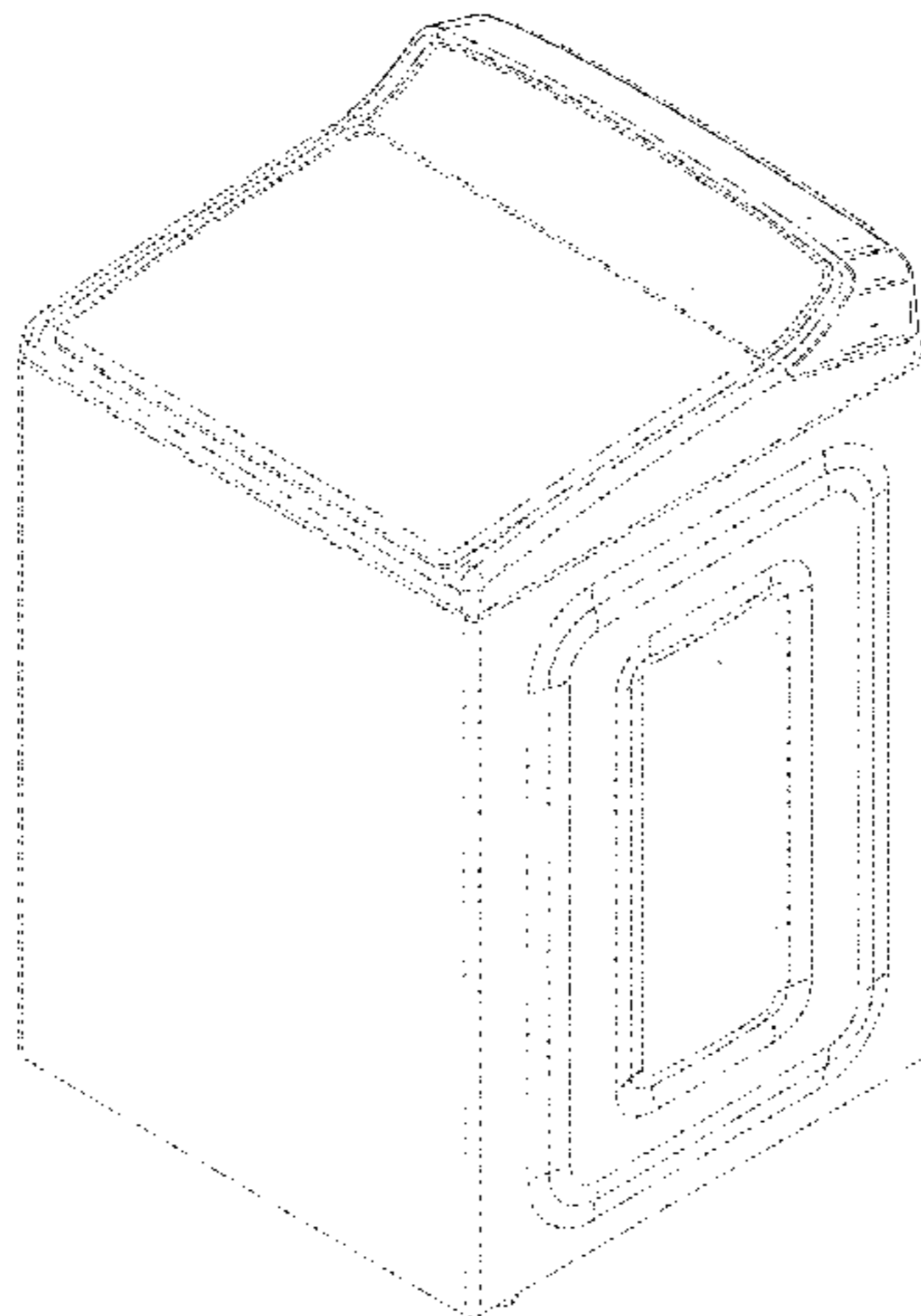
FIG. 17 is a fourth side elevation view of the topload washing appliance of the present invention; and,

FIG. 18 is another first side elevation view of the topload washing appliance of the present invention with the door in an open position to view the underside of the washing appliance door.

The broken lines shown in the figures are for the purpose of illustrating unclaimed portions of the topload washing appliance, and form no part of the claimed design.

The dash-dot broken line(s) define the bounds of the claimed design and form no part thereof.

1 Claim, 18 Drawing Sheets



(56)

References Cited

U.S. PATENT DOCUMENTS

D620,656 S * 7/2010 Bixby D32/25
D648,084 S * 11/2011 Browne D32/28
D648,085 S * 11/2011 Miller D32/28
D648,497 S * 11/2011 Bhattacharya D32/28
D695,474 S * 12/2013 Calmeise D32/28
D697,680 S * 1/2014 Hwang D32/25
D699,907 S * 2/2014 Choi D32/28

D701,656 S * 3/2014 Choi D32/6
D705,508 S * 5/2014 Calmeise D32/28
D709,657 S * 7/2014 Shin D32/25
D711,605 S * 8/2014 Jo D32/25
D729,998 S * 5/2015 Jeon D32/6
D733,372 S * 6/2015 Song D32/6
D733,375 S * 6/2015 Uk D32/28
2009/0193678 A1* 8/2009 Latack D06F 58/08
34/139

* cited by examiner

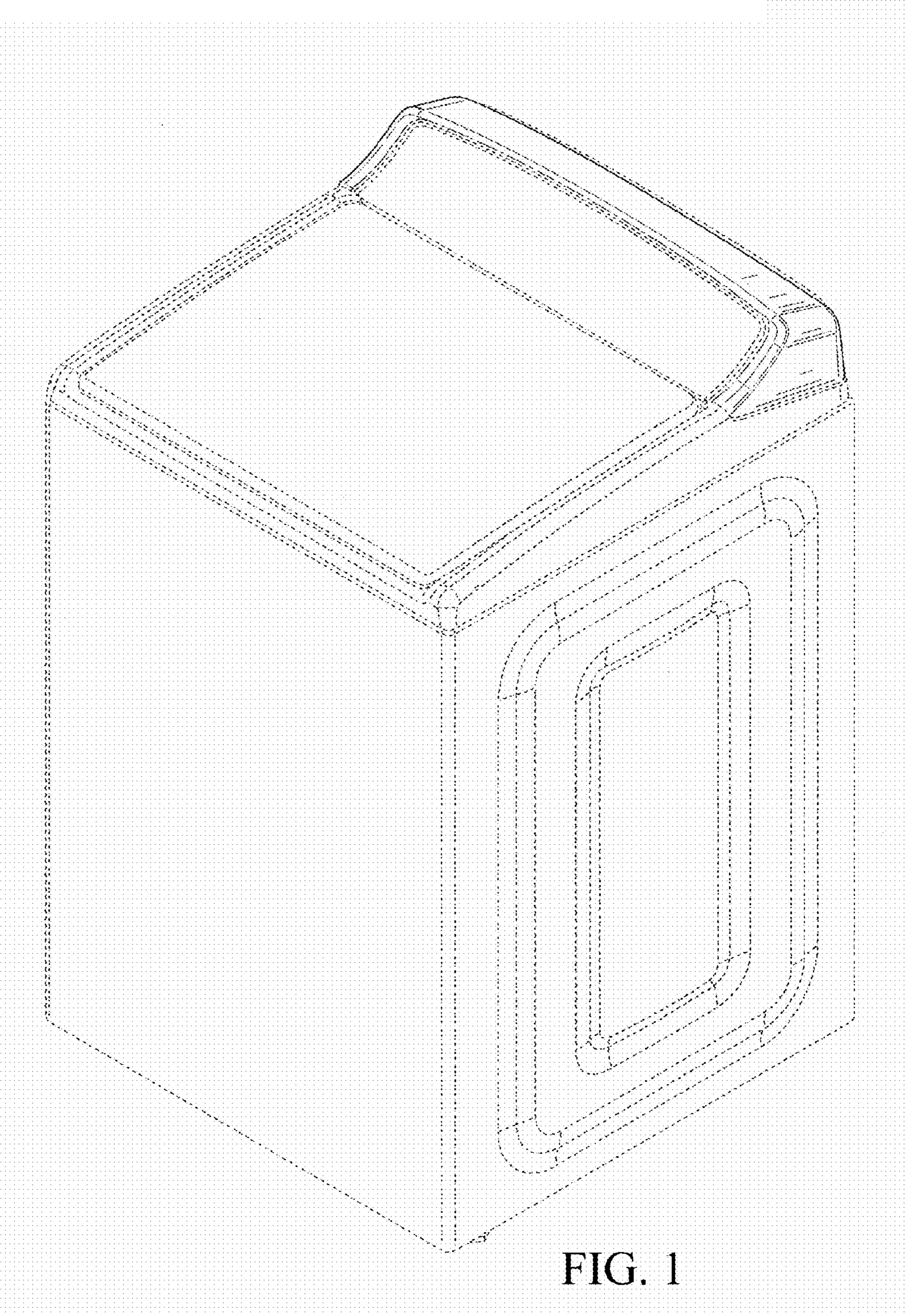


FIG. 1

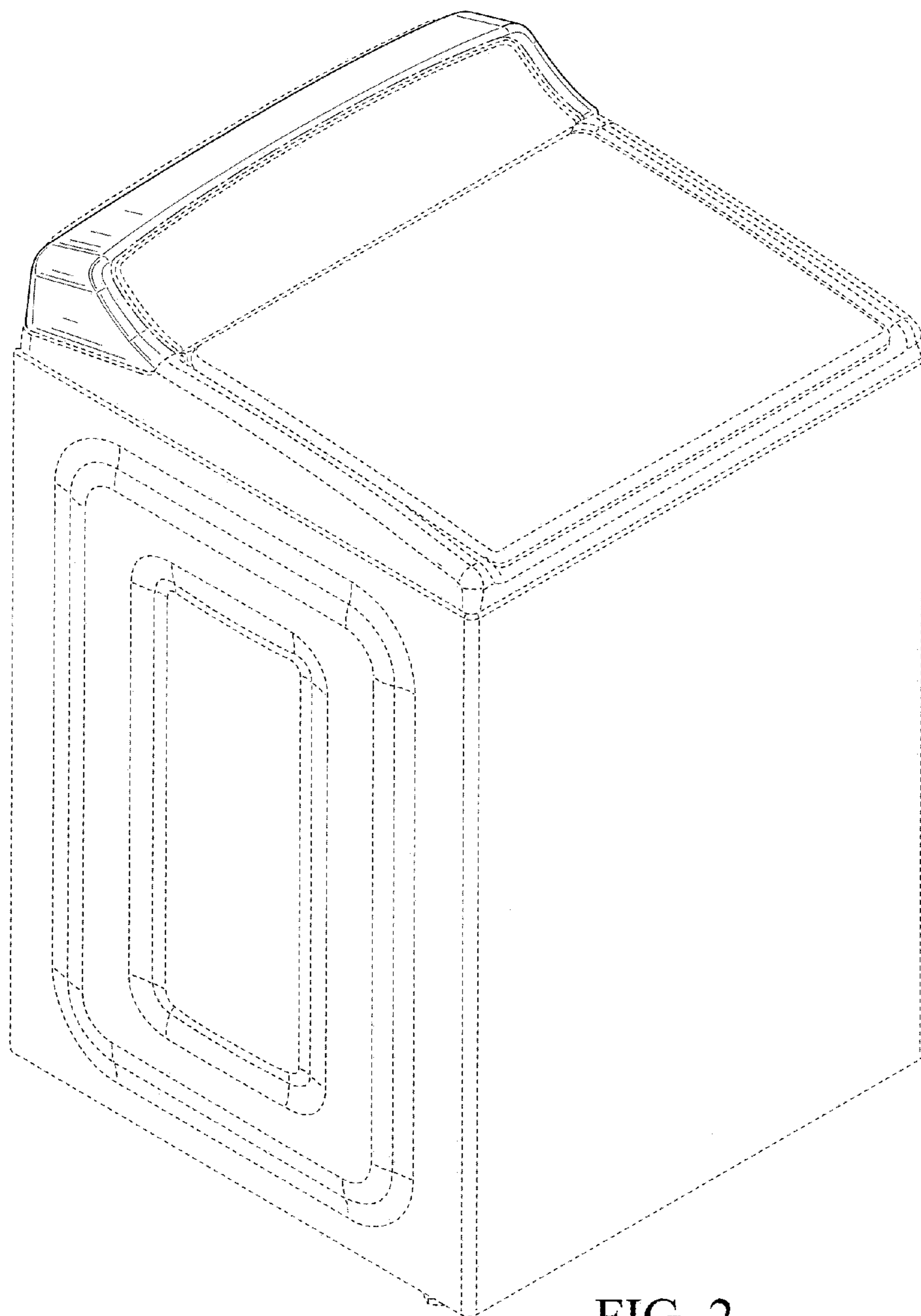


FIG. 2

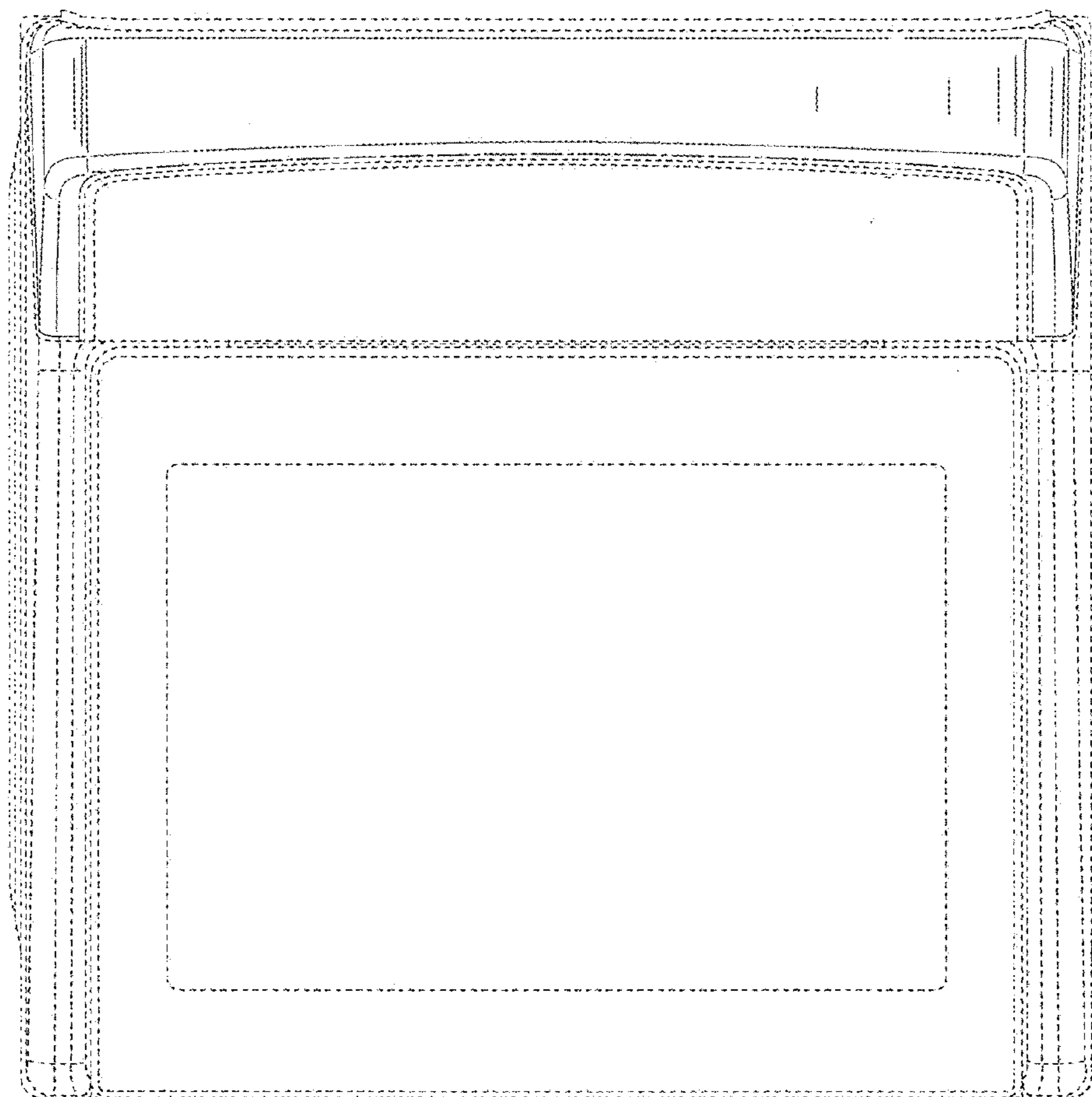


FIG. 3

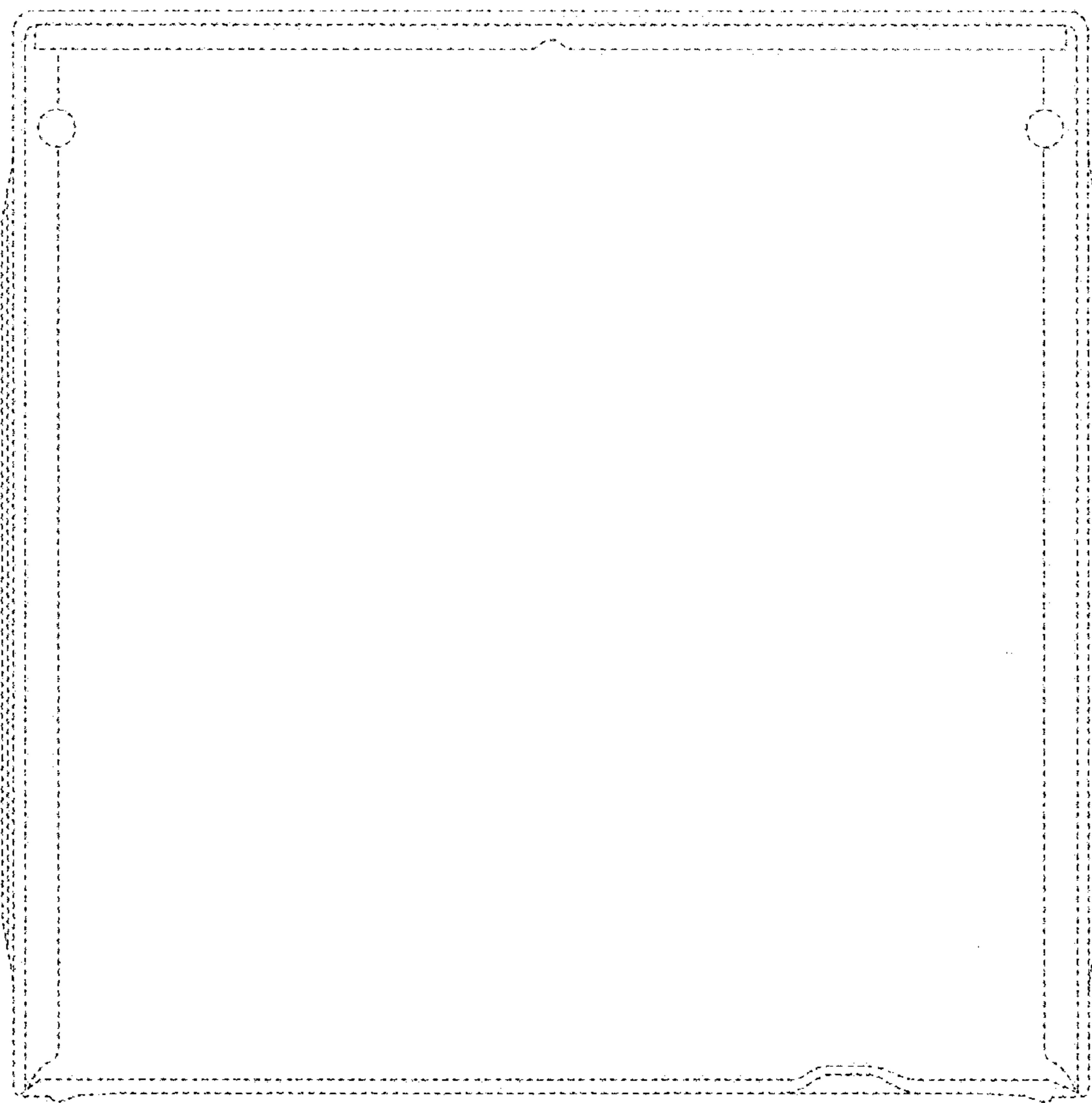


FIG. 4

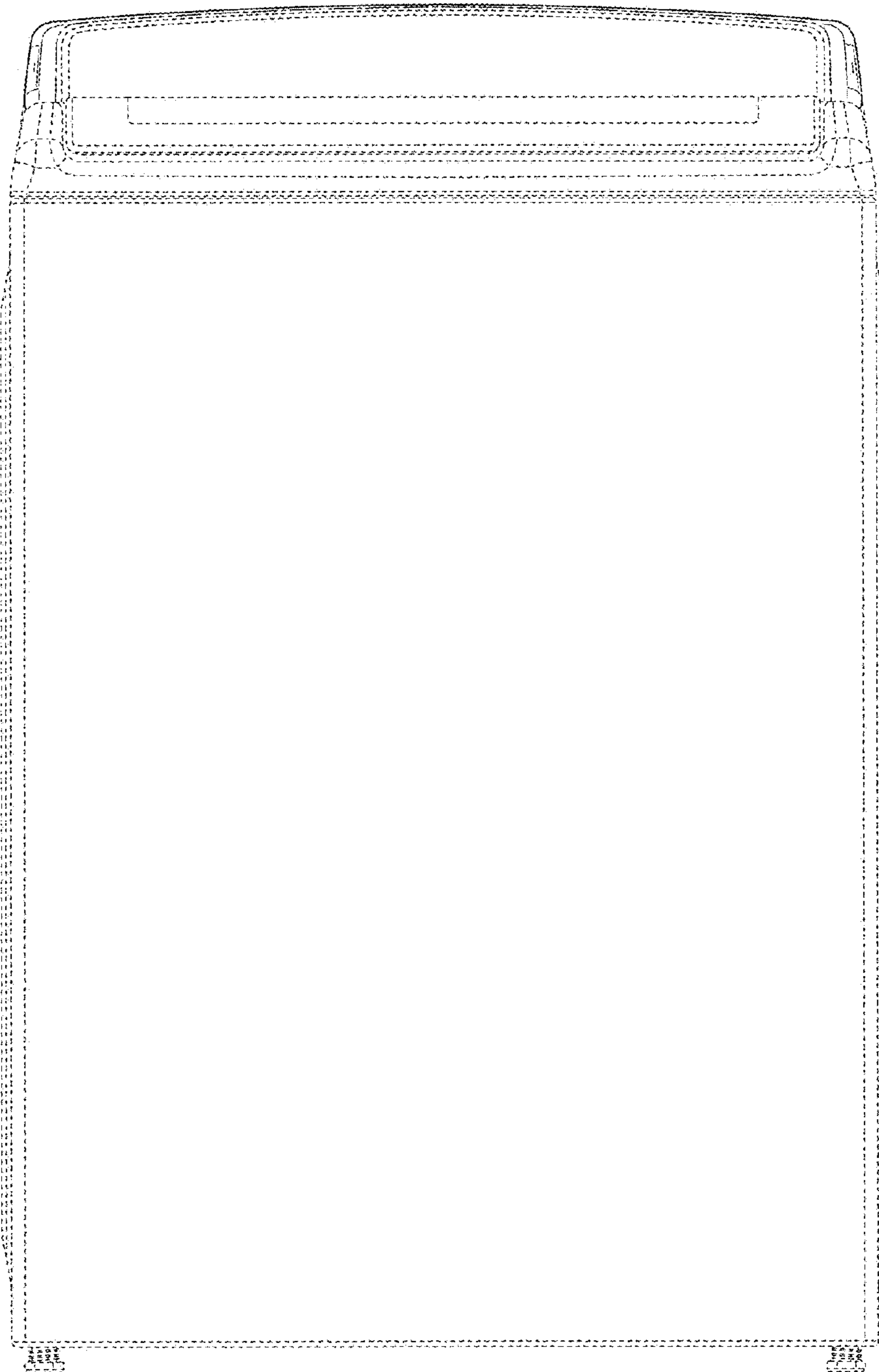


FIG. 5

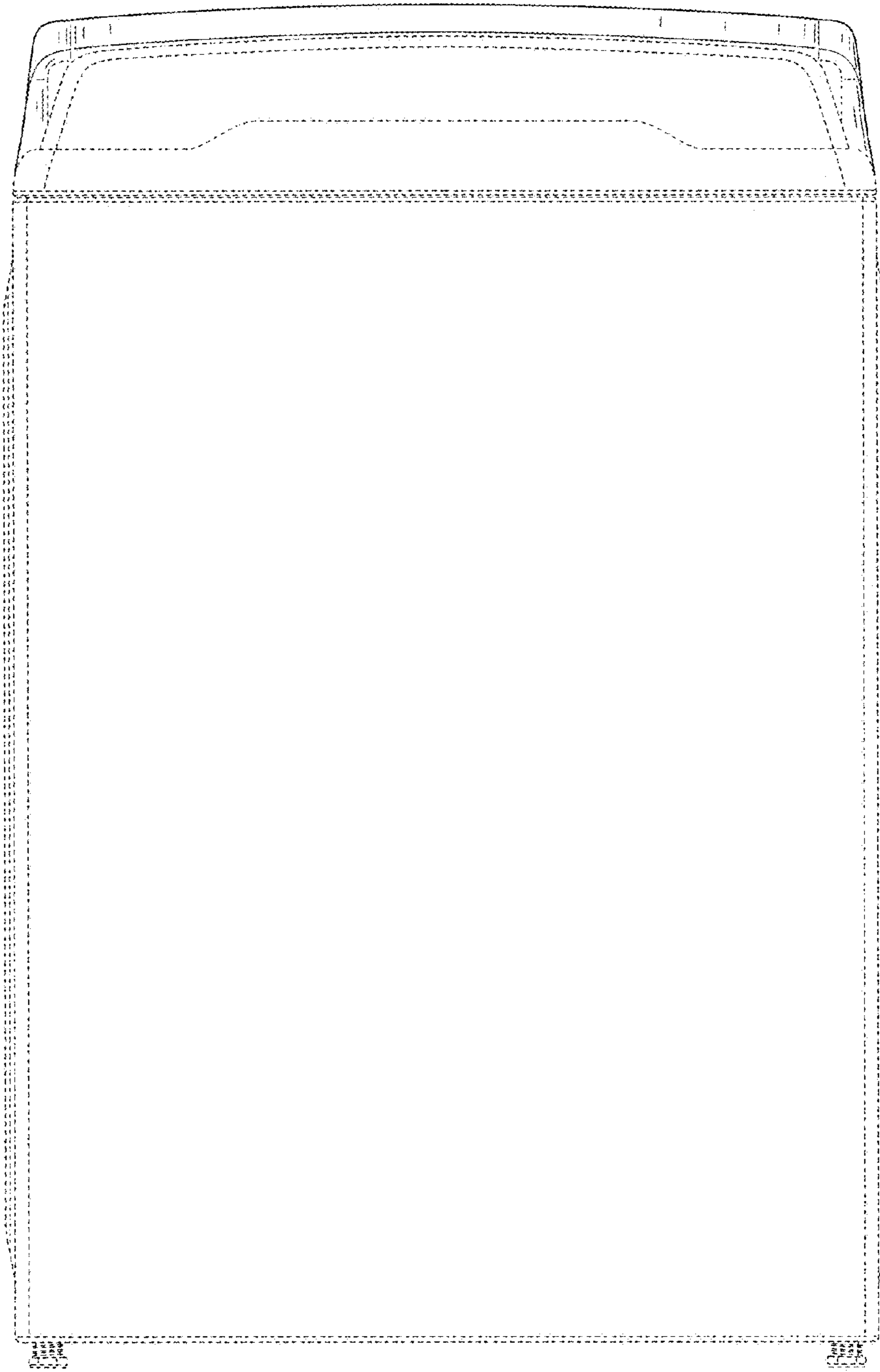


FIG. 6

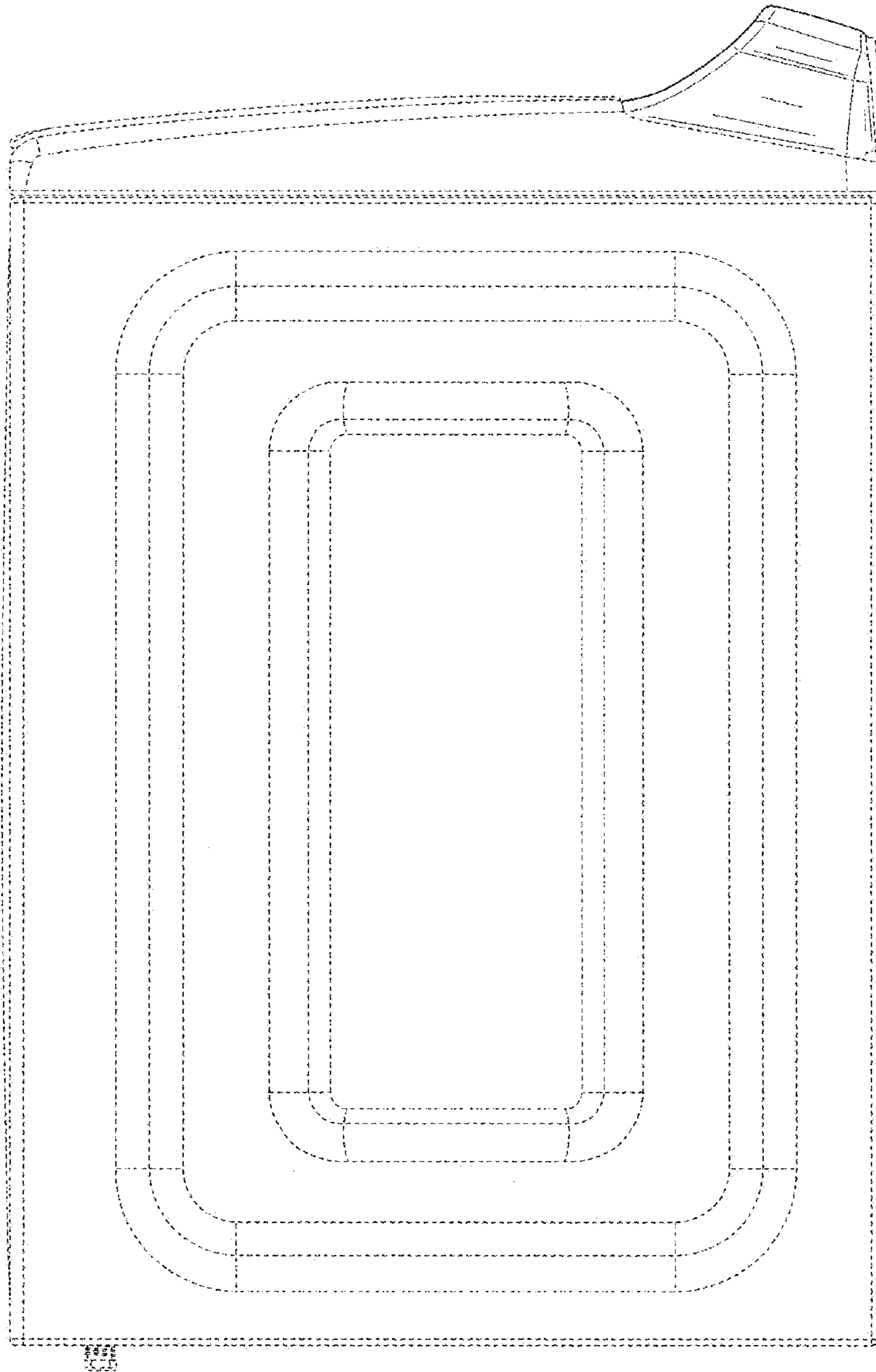


FIG. 7

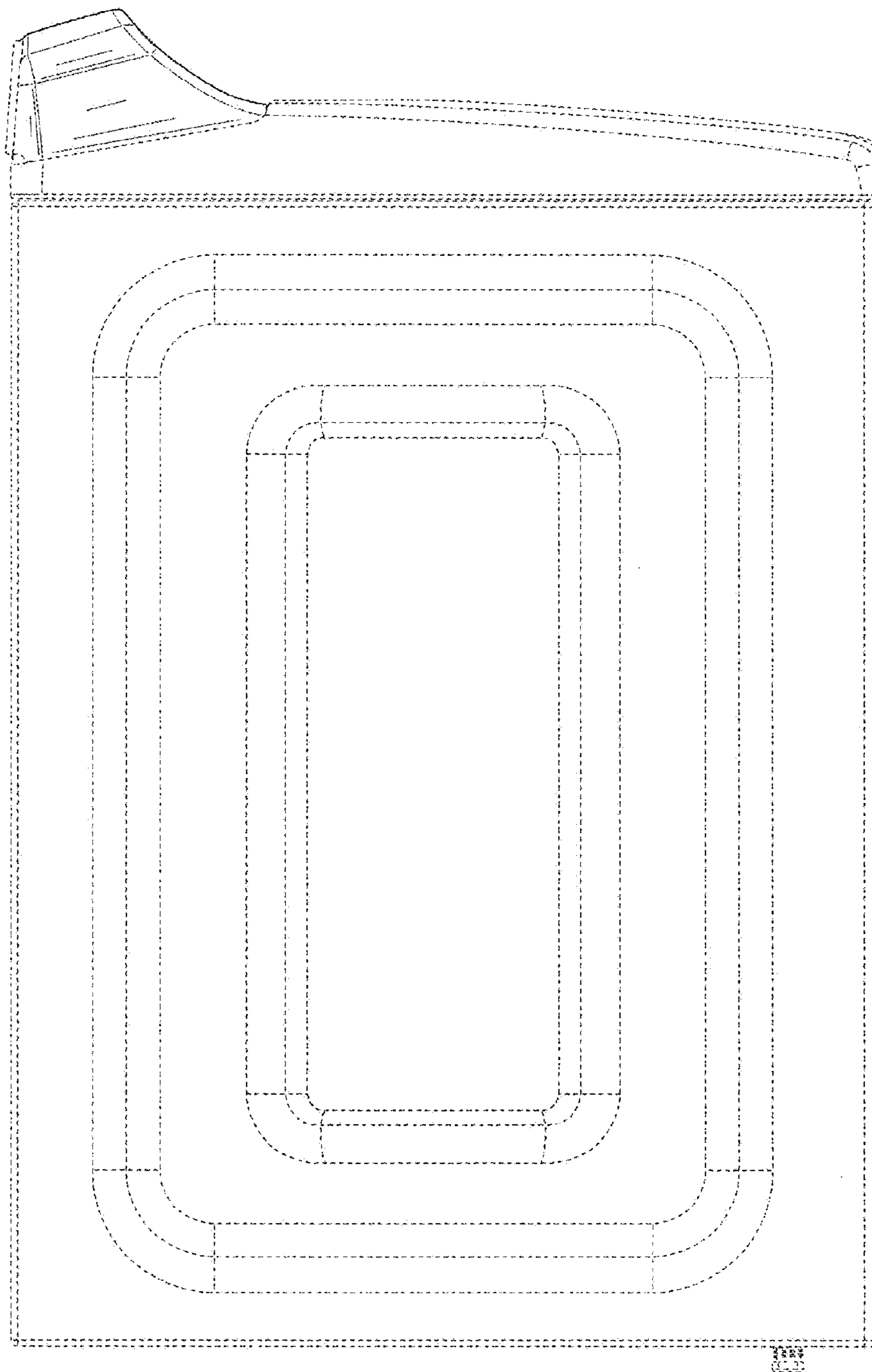


FIG. 8



FIG. 9

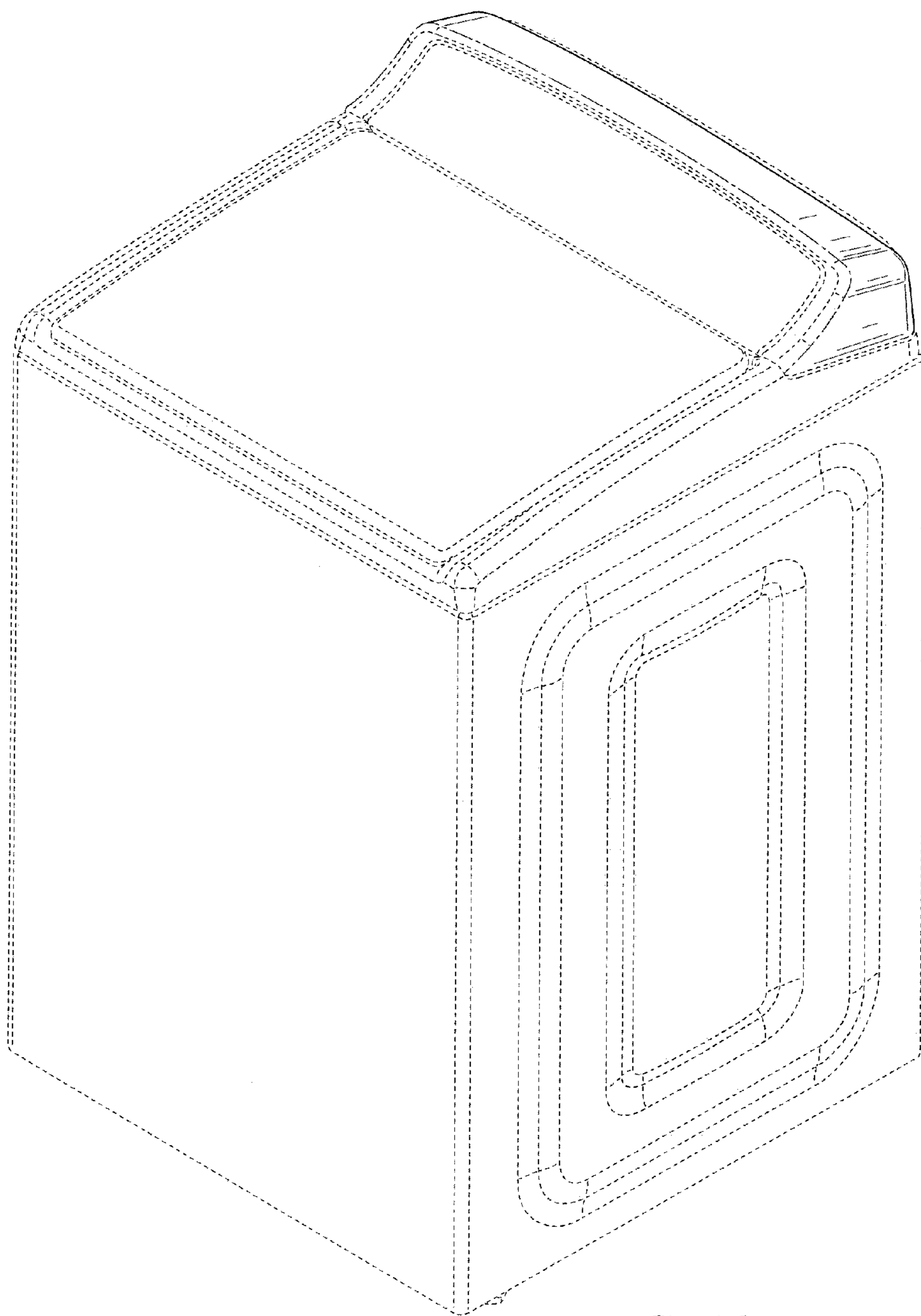


FIG. 10

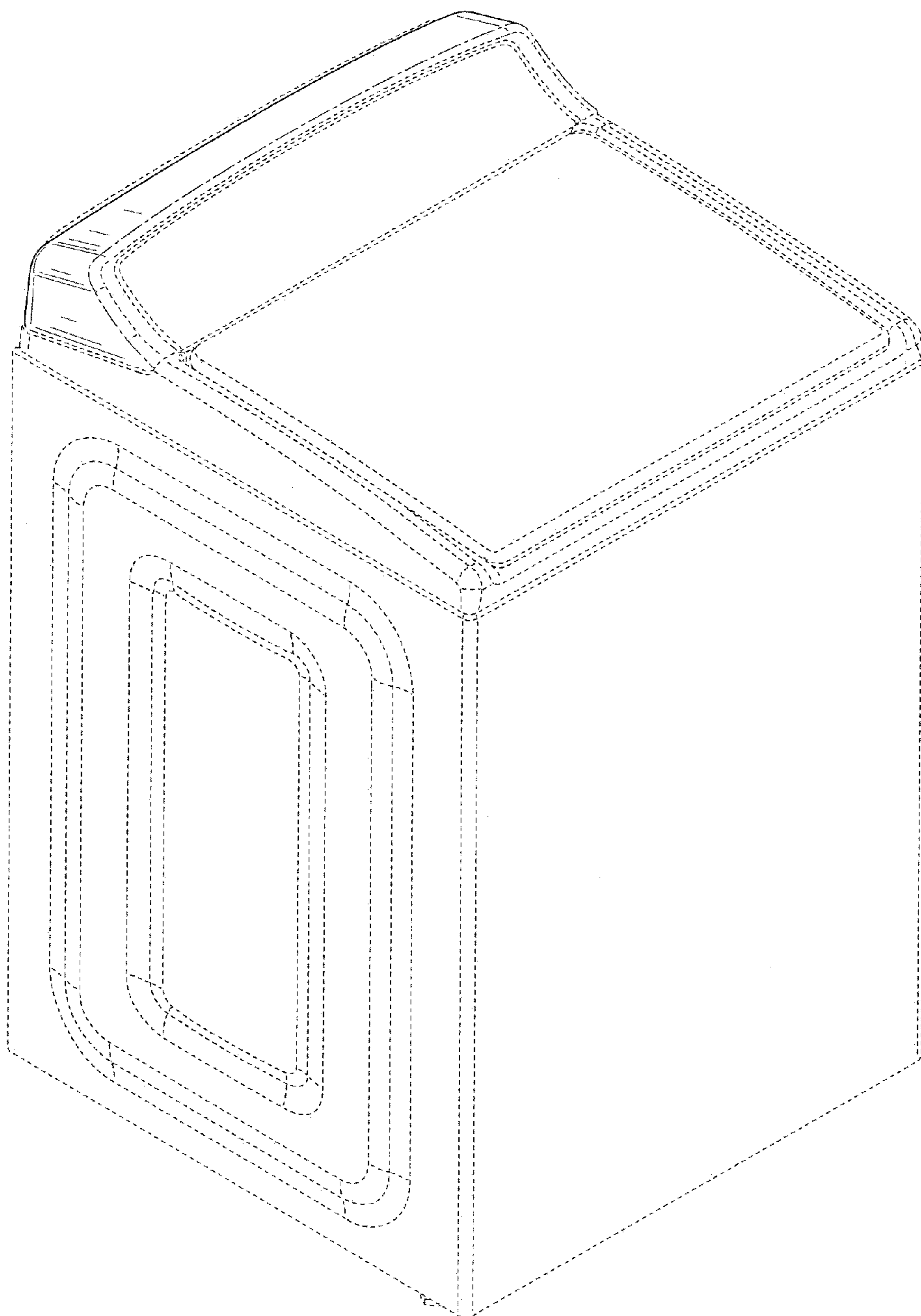


FIG. 11

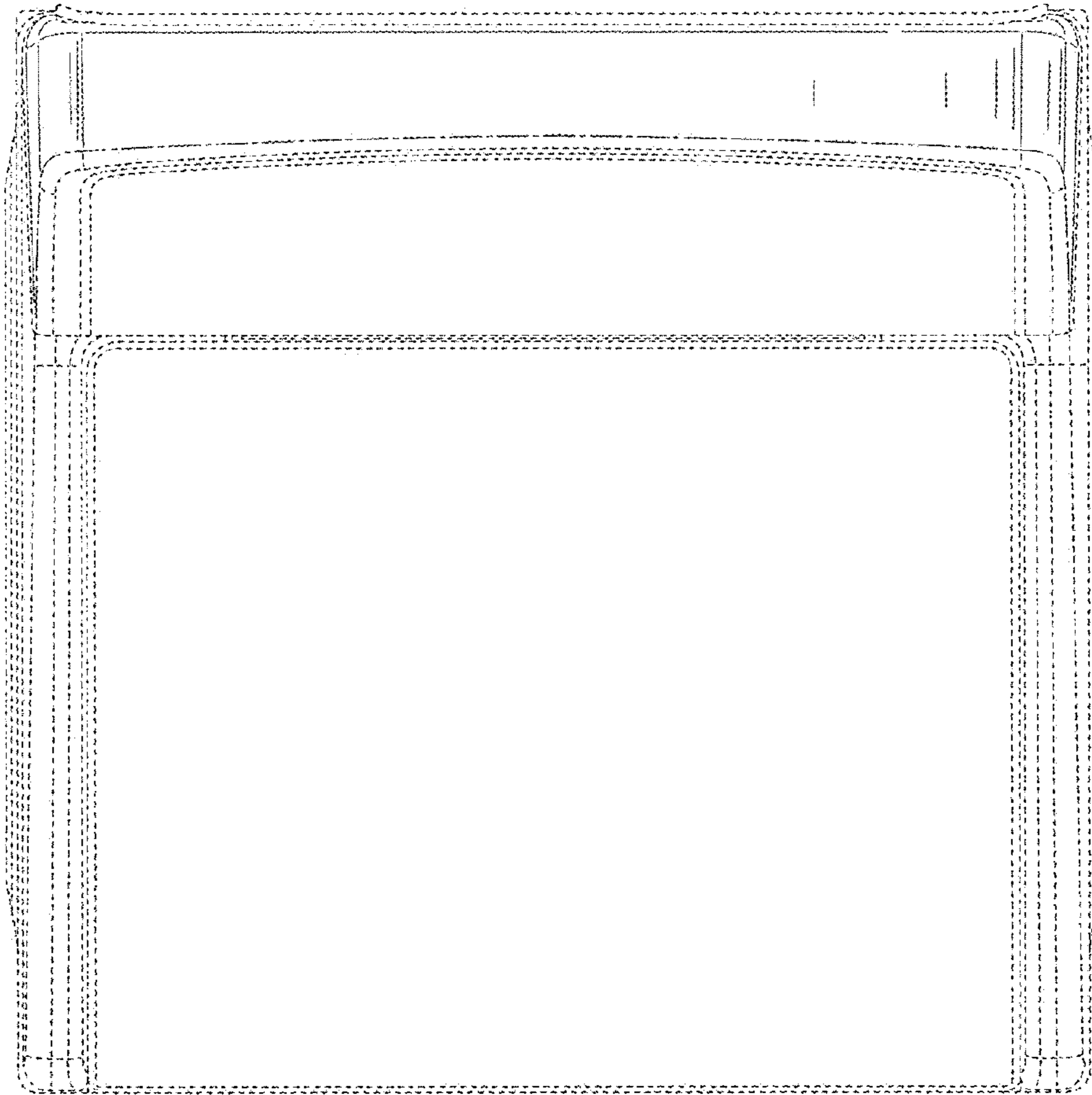


FIG. 12

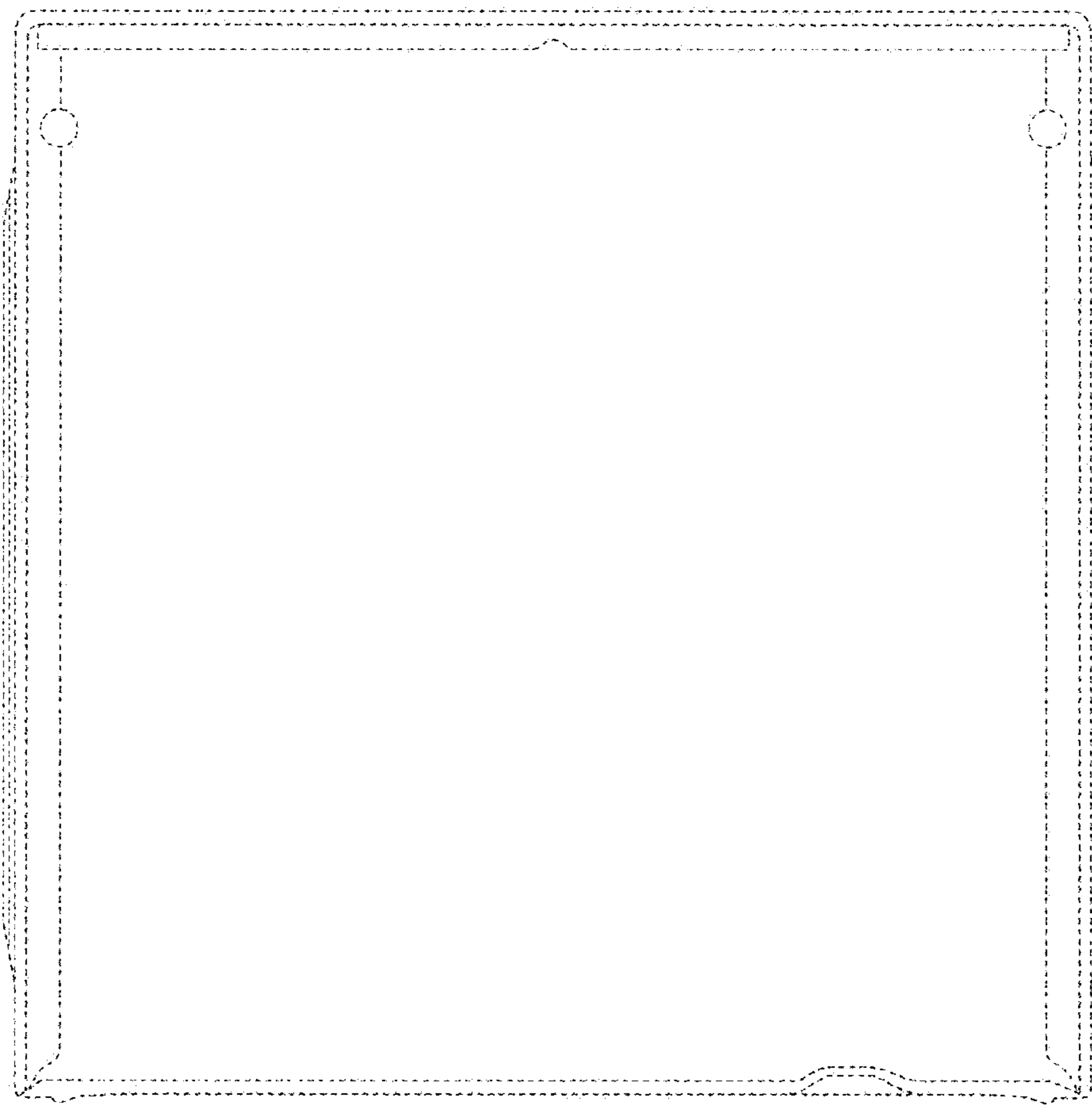


FIG. 13

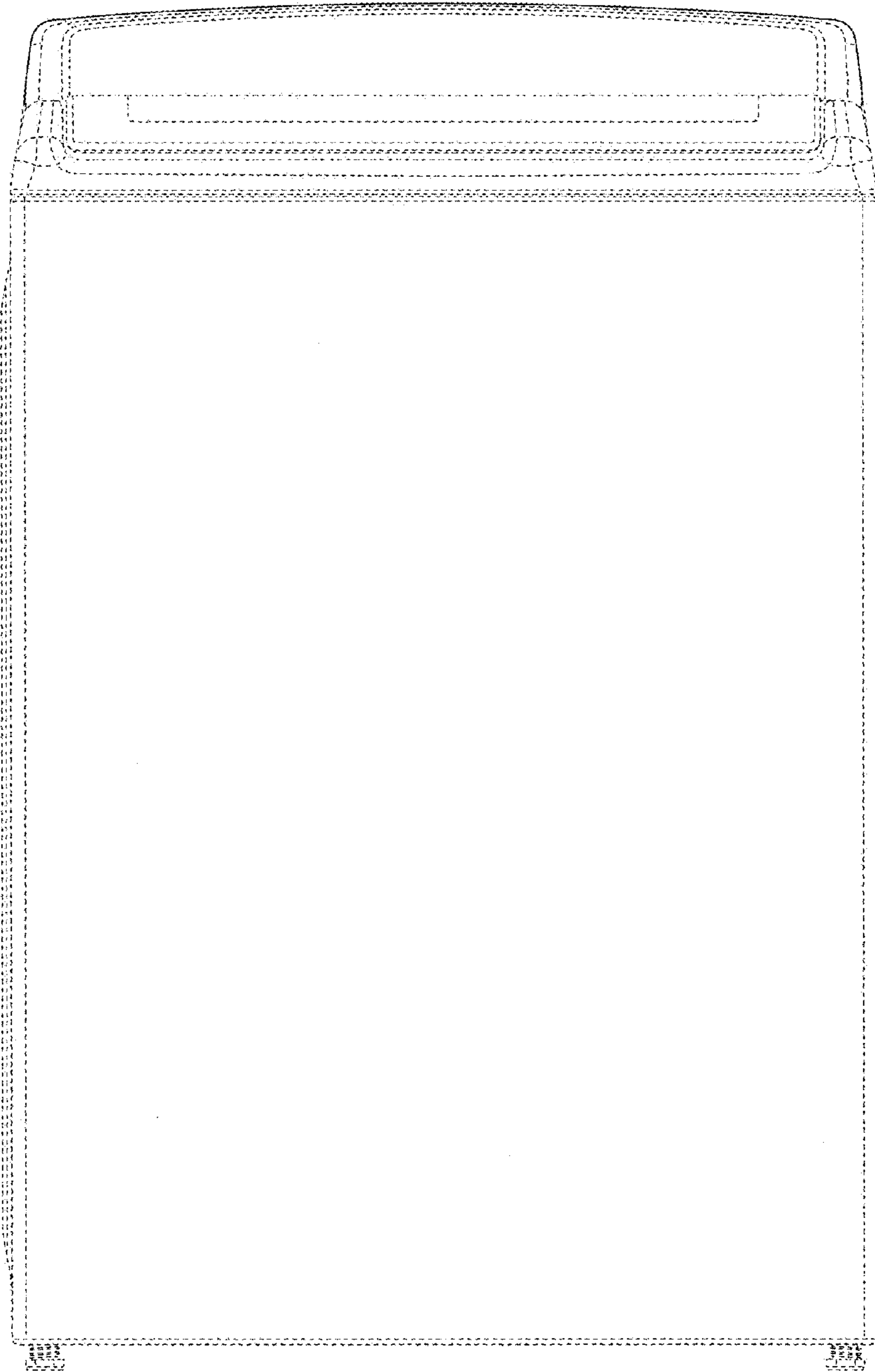


FIG. 14

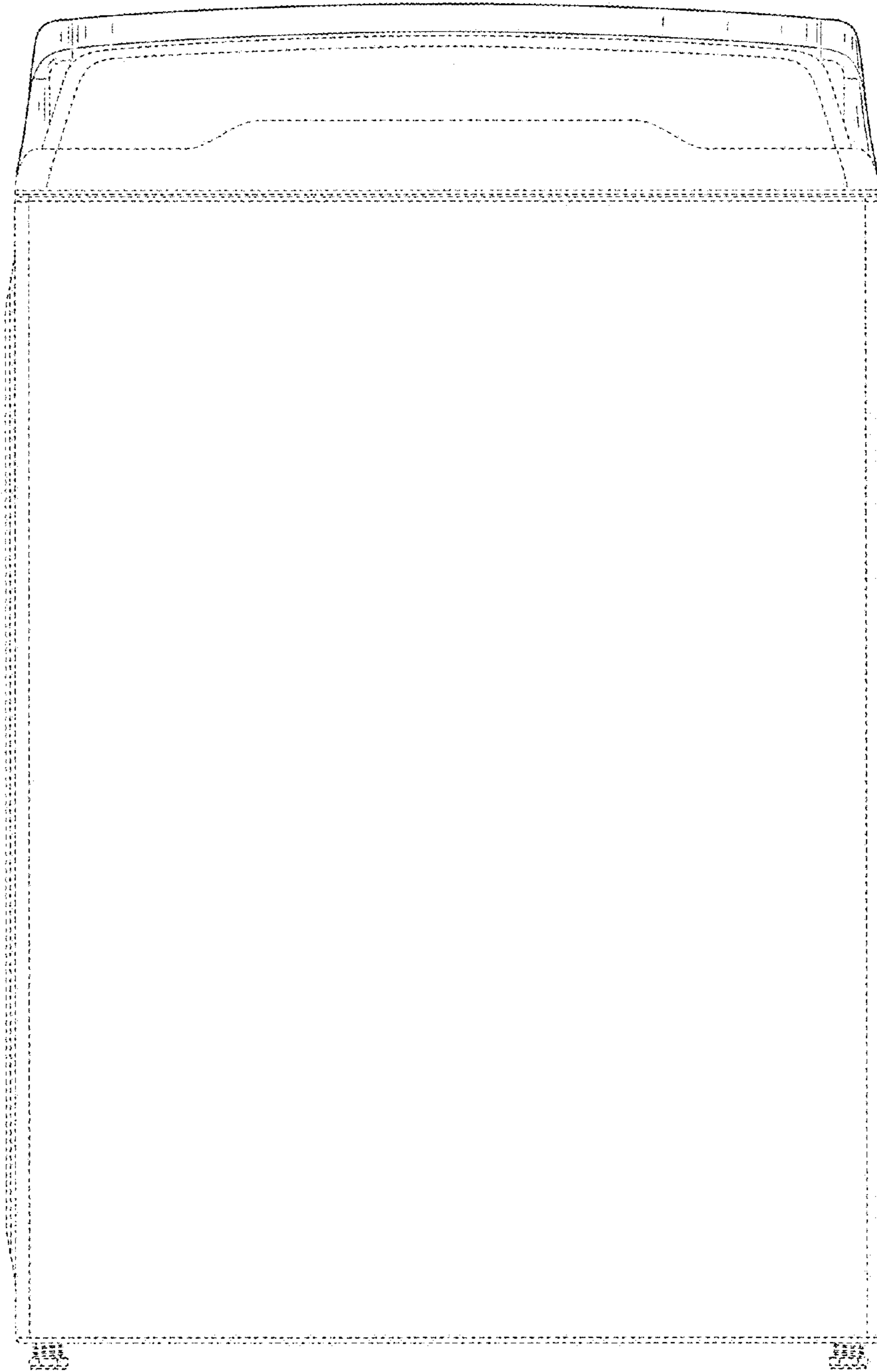


FIG. 15

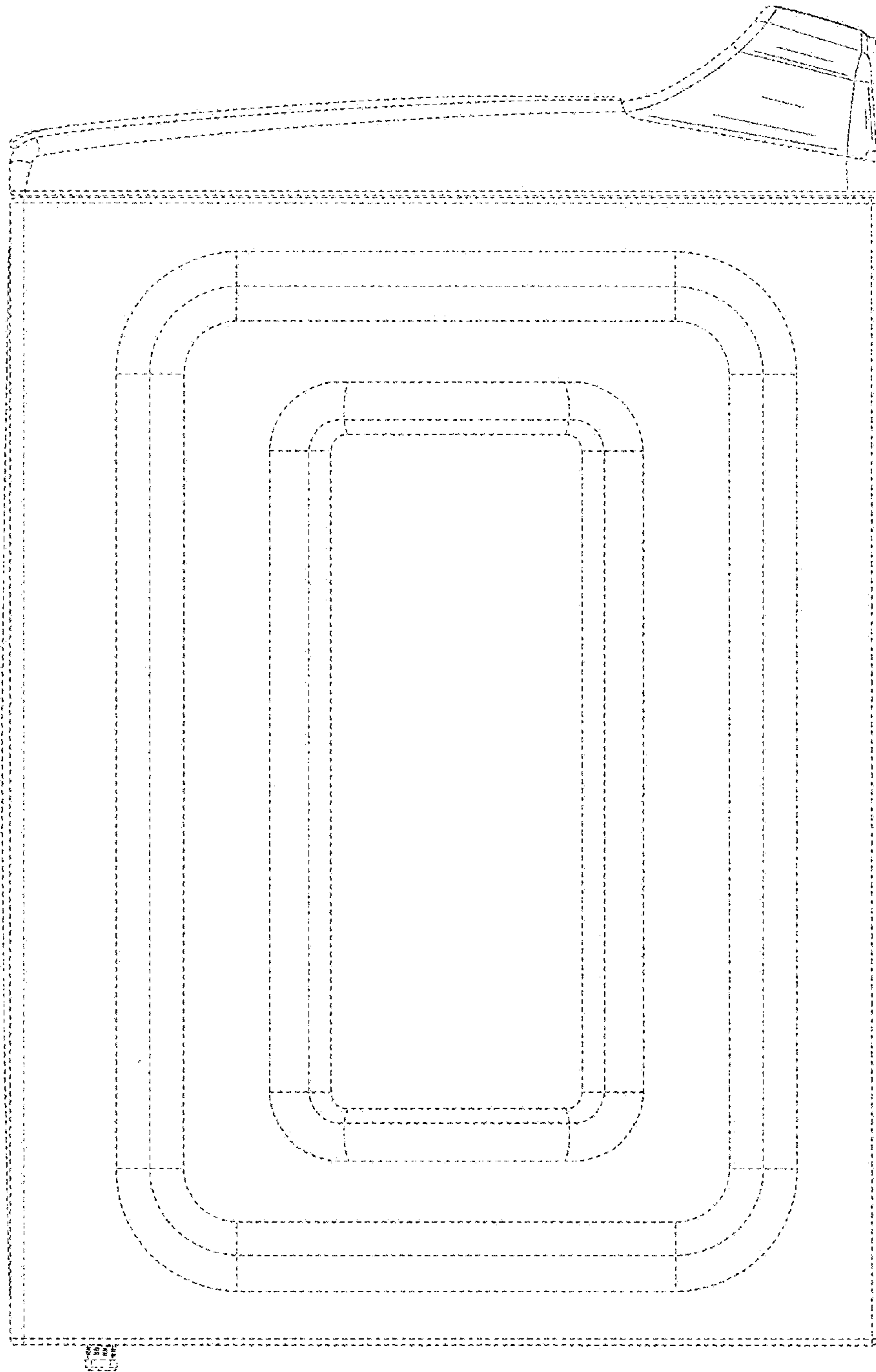


FIG. 16

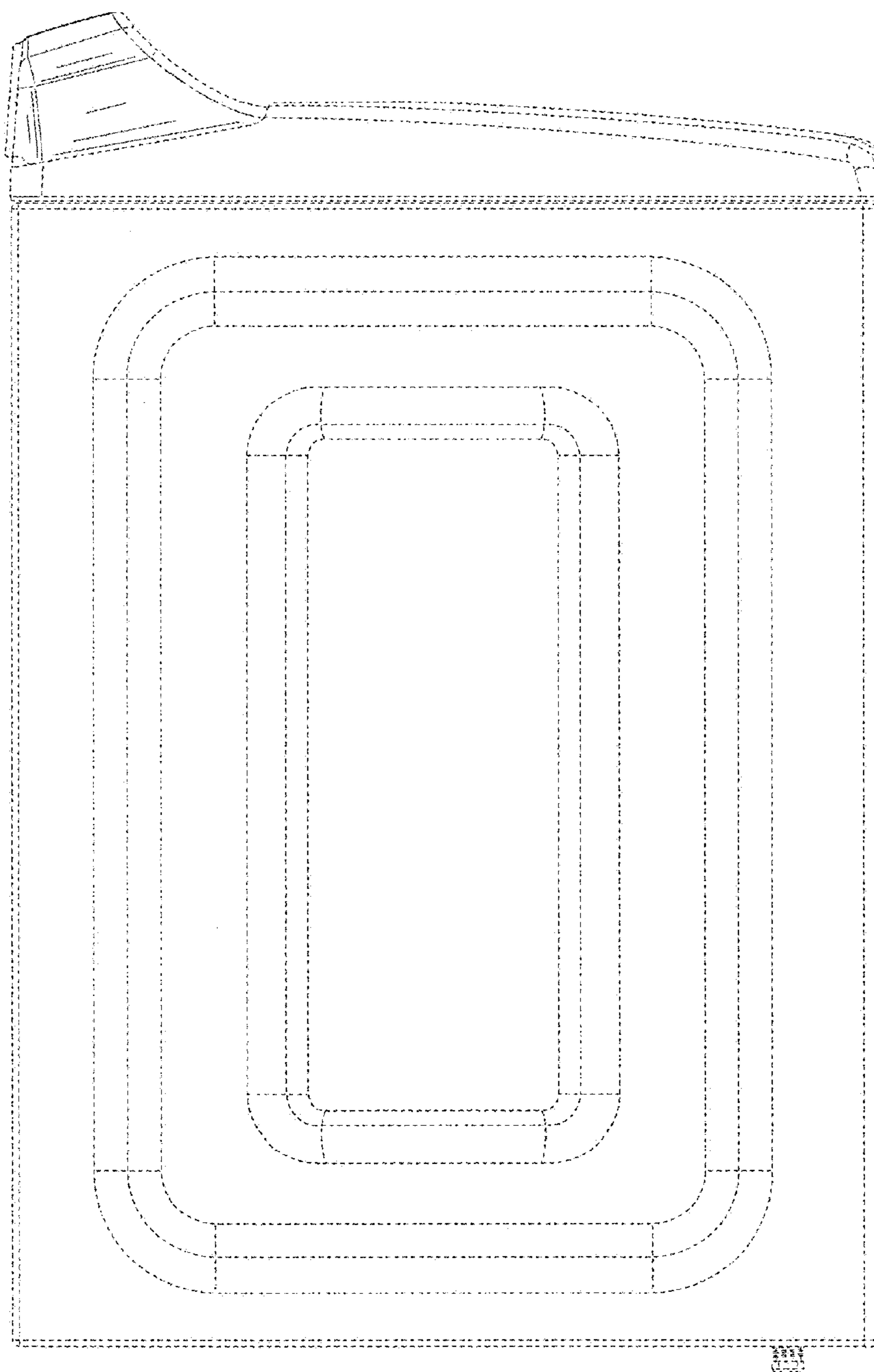


FIG. 17



FIG. 18