



US00D758028S

(12) **United States Design Patent**
Bixby et al.

(10) **Patent No.:** **US D758,028 S**
(45) **Date of Patent:** **** May 31, 2016**

(54) **TOPLOAD WASHING APPLIANCE**

(71) Applicant: **Whirlpool Corporation**, Benton Harbor, MI (US)

(72) Inventors: **Seth E. Bixby**, Stevensville, MI (US); **Richard K. Gresens**, Saint Joseph, MI (US); **John W. McConnell**, Saint Joseph, MI (US); **Patrick J. Schiavone**, Benton Harbor, MI (US); **Samuel B. Breneman**, Saint Joseph, MI (US)

(73) Assignee: **Whirlpool Corporation**, Benton Harbor, MI (US)

(**) Term: **14 Years**

(21) Appl. No.: **29/499,740**

(22) Filed: **Aug. 19, 2014**

(51) **LOC (10) Cl.** **15-05**

(52) **U.S. Cl.**
USPC **D32/25**

(58) **Field of Classification Search**
USPC D32/1-6, 8, 10, 24, 25, 28; 312/228, 312/228.1, 294, 326, 236; 8/137; 34/108, 34/595-597

CPC A47B 77/08; D06F 39/022; D06F 39/28; D06F 58/00; B29C 45/0053

See application file for complete search history.

(56) **References Cited**

U.S. PATENT DOCUMENTS

D484,652 S * 12/2003 Clark D32/28
D575,012 S * 8/2008 Rossetto D32/6

(Continued)

Primary Examiner — Rosemary K Tarcza

Assistant Examiner — Yolanda Robinson

(57) **CLAIM**

We claim the ornamental design for a topload washing appliance, as shown and described.

DESCRIPTION

FIG. 1 is a first top perspective view of the topload washing appliance of the present invention;

FIG. 2 is a second top perspective view of the topload washing appliance of the present invention;

FIG. 3 is a top plan view of the topload washing appliance of the present invention;

FIG. 4 is a bottom plan view of the topload washing appliance of the present invention;

FIG. 5 is a first side elevation view of the topload washing appliance of the present invention;

FIG. 6 is a second side elevation view of the topload washing appliance of the present invention;

FIG. 7 is a third side elevation view of the topload washing appliance of the present invention;

FIG. 8 is a fourth side elevation view of the topload washing appliance of the present invention;

FIG. 9 is another first side elevation view of the topload washing appliance of the present invention with the door in an open position to view the underside of the washing appliance door;

FIG. 10 is a first top perspective view of the topload washing appliance of an alternative embodiment of the present invention;

FIG. 11 is a second top perspective view of the topload washing appliance of an alternative embodiment of the present invention;

FIG. 12 is a top plan view of the topload washing appliance of an alternative embodiment of the present invention;

FIG. 13 is a bottom plan view of the topload washing appliance of an alternative embodiment of the present invention;

FIG. 14 is a first side elevation view of the topload washing appliance of an alternative embodiment of the present invention;

FIG. 15 is a second side elevation view of the topload washing appliance of an alternative embodiment of the present invention;

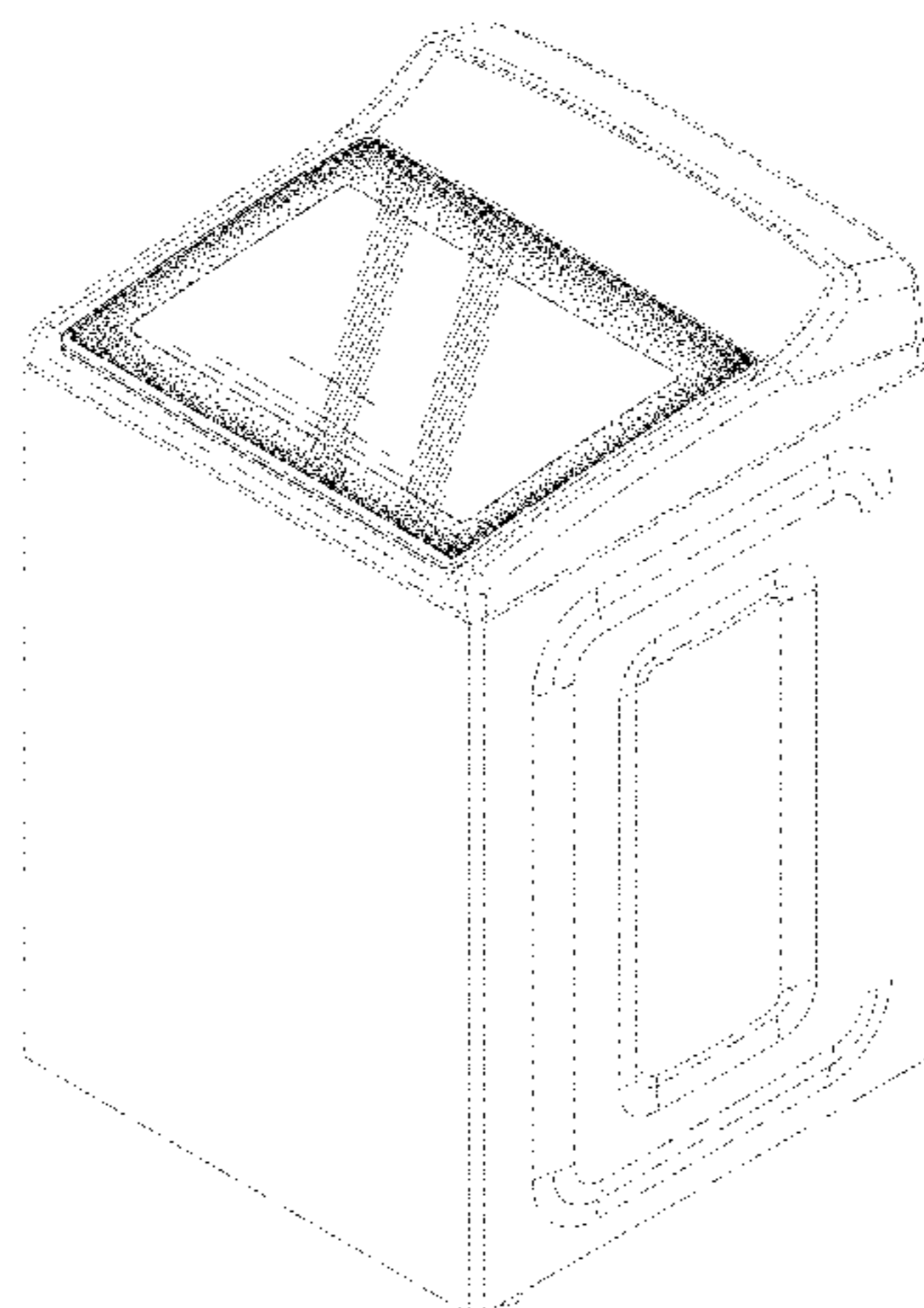
FIG. 16 is a third side elevation view of the topload washing appliance of an alternative embodiment of the present invention;

FIG. 17 is a fourth side elevation view of the topload washing appliance of an alternative embodiment of the present invention; and,

FIG. 18 is another first side elevation view of the topload washing appliance of an alternative embodiment of the present invention with the door in an open position to view the underside of the washing appliance door.

The broken lines shown in the drawings are included for the purpose of illustrating environmental structure and form no part of the claimed design.

1 Claim, 18 Drawing Sheets



(56)

References Cited

U.S. PATENT DOCUMENTS

D619,314 S *	7/2010	Bixby	D32/25	D699,907 S *	2/2014	Choi	D32/28
D620,656 S *	7/2010	Bixby	D32/25	D701,656 S *	3/2014	Choi	D32/6
D621,563 S *	8/2010	Bixby	D32/25	D704,907 S *	5/2014	Yoo	D32/6
D632,033 S *	2/2011	Song	D32/6	D705,508 S *	5/2014	Calmeise	D32/28
D648,084 S *	11/2011	Browne	D32/28	D709,657 S *	7/2014	Shin	D32/25
D648,085 S *	11/2011	Miller	D32/28	D711,605 S *	8/2014	Jo	D32/25
D648,497 S *	11/2011	Bhattacharya	D32/28	D729,998 S *	5/2015	Jeon	D32/6
D654,640 S *	2/2012	Song	D32/6	D733,372 S *	6/2015	Song	D32/6
8,297,085 B2 *	10/2012	Kim	D06F 39/14 312/228	D733,375 S *	6/2015	Uk	D32/28
D679,462 S *	4/2013	Zhang	D32/6	2013/0193823 A1 *	8/2013	Cho	D06F 39/14 312/319.2
D694,965 S *	12/2013	Lee	D32/6	2014/0210324 A1 *	7/2014	Kilgore	D06F 39/14 312/228.1
D695,474 S *	12/2013	Calmeise	D32/28	2014/0373284 A1 *	12/2014	Leibman	D06F 39/022 8/137
D697,680 S *	1/2014	Hwang	D32/25	2015/0345069 A1 *	12/2015	Leibman	D06F 39/028 68/17 R

* cited by examiner

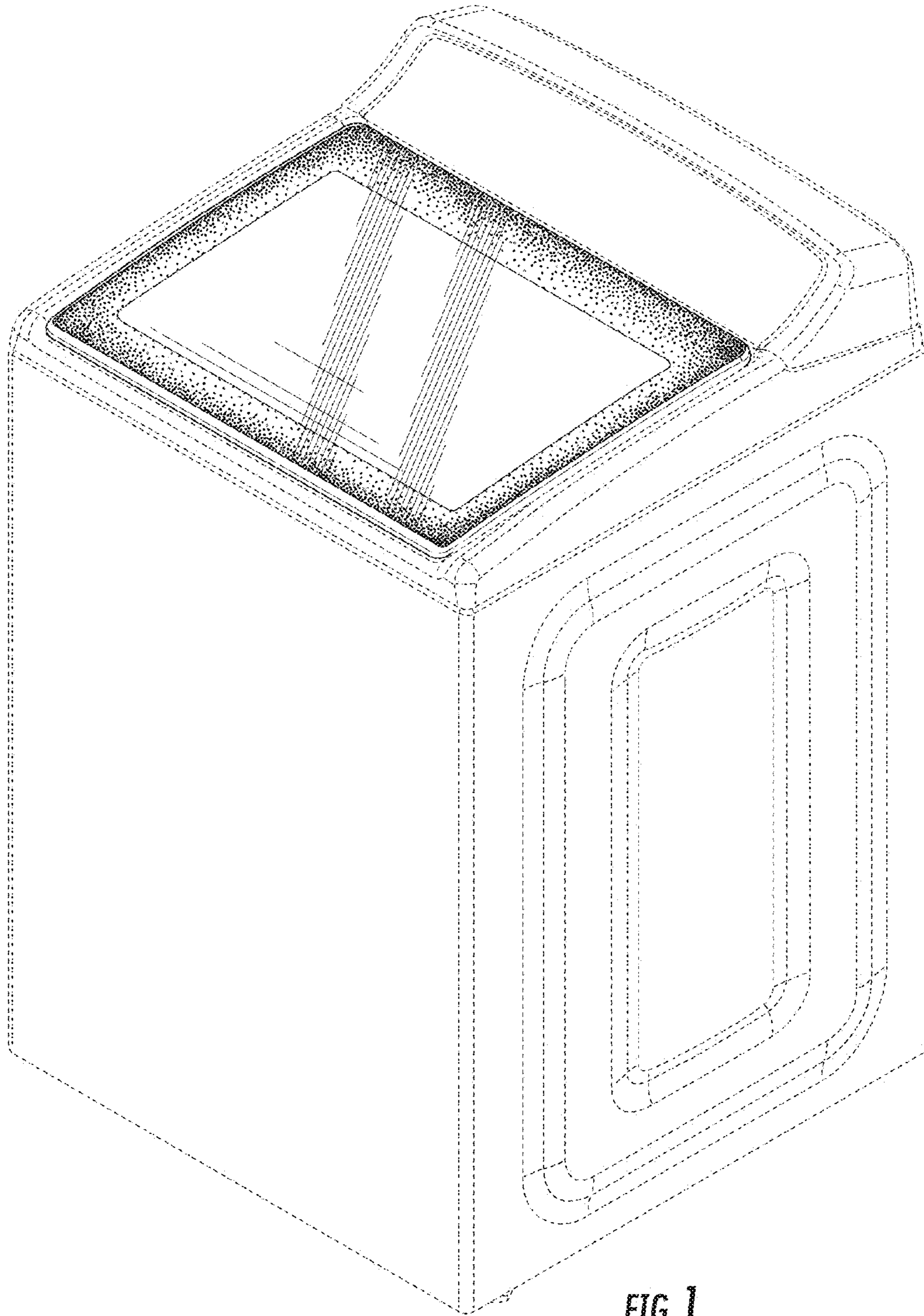


FIG. 1

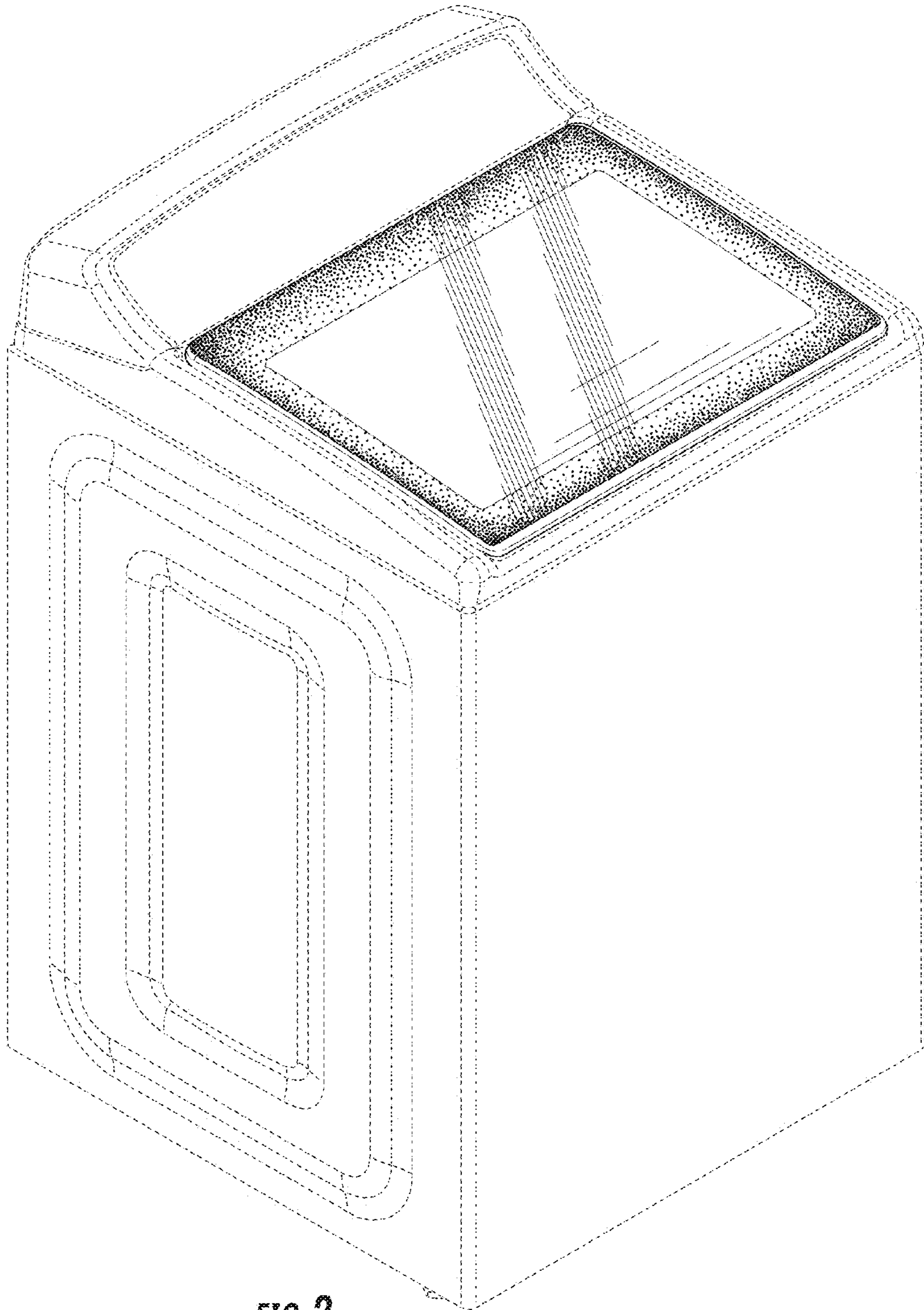


FIG. 2

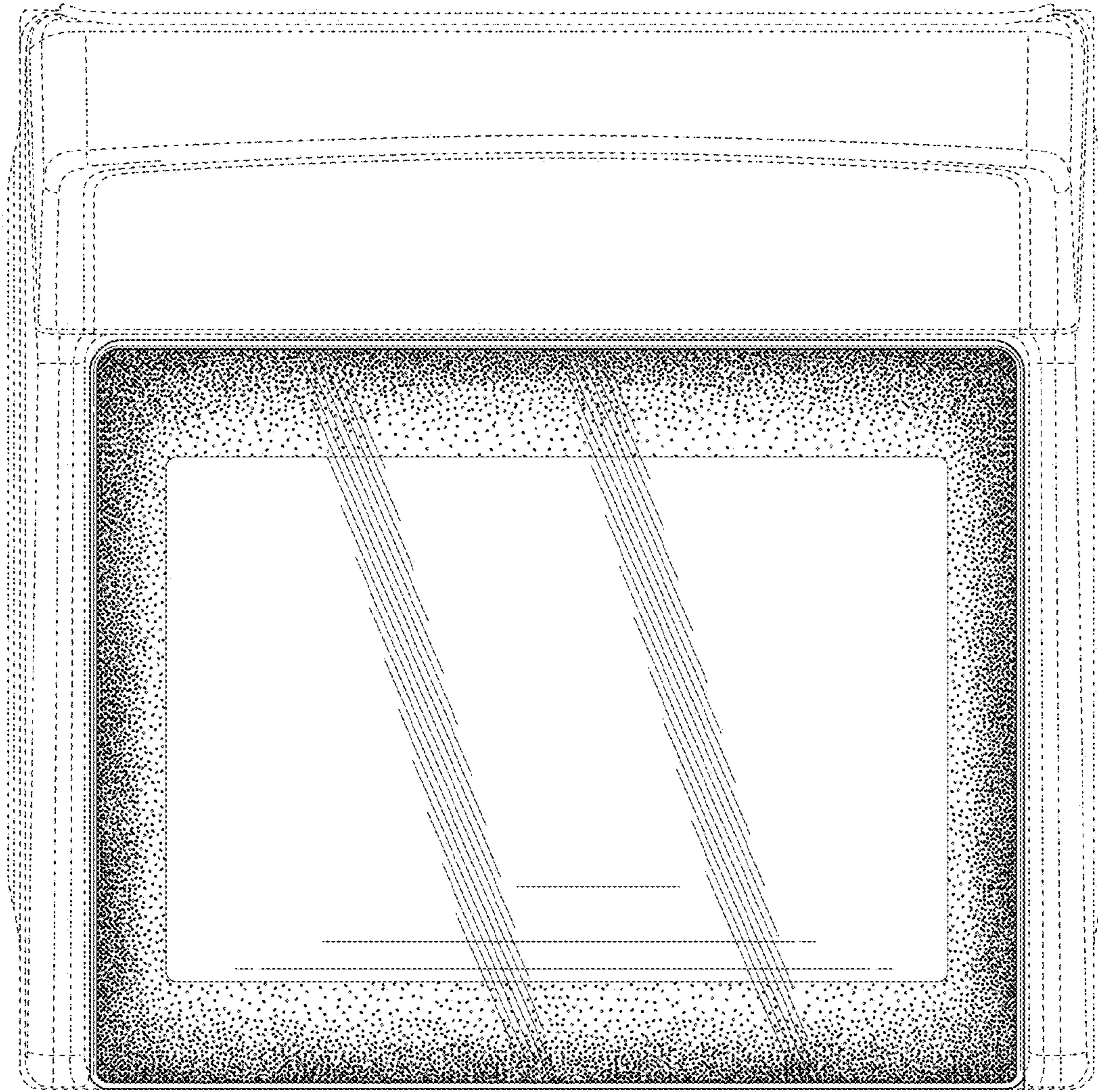


FIG. 3

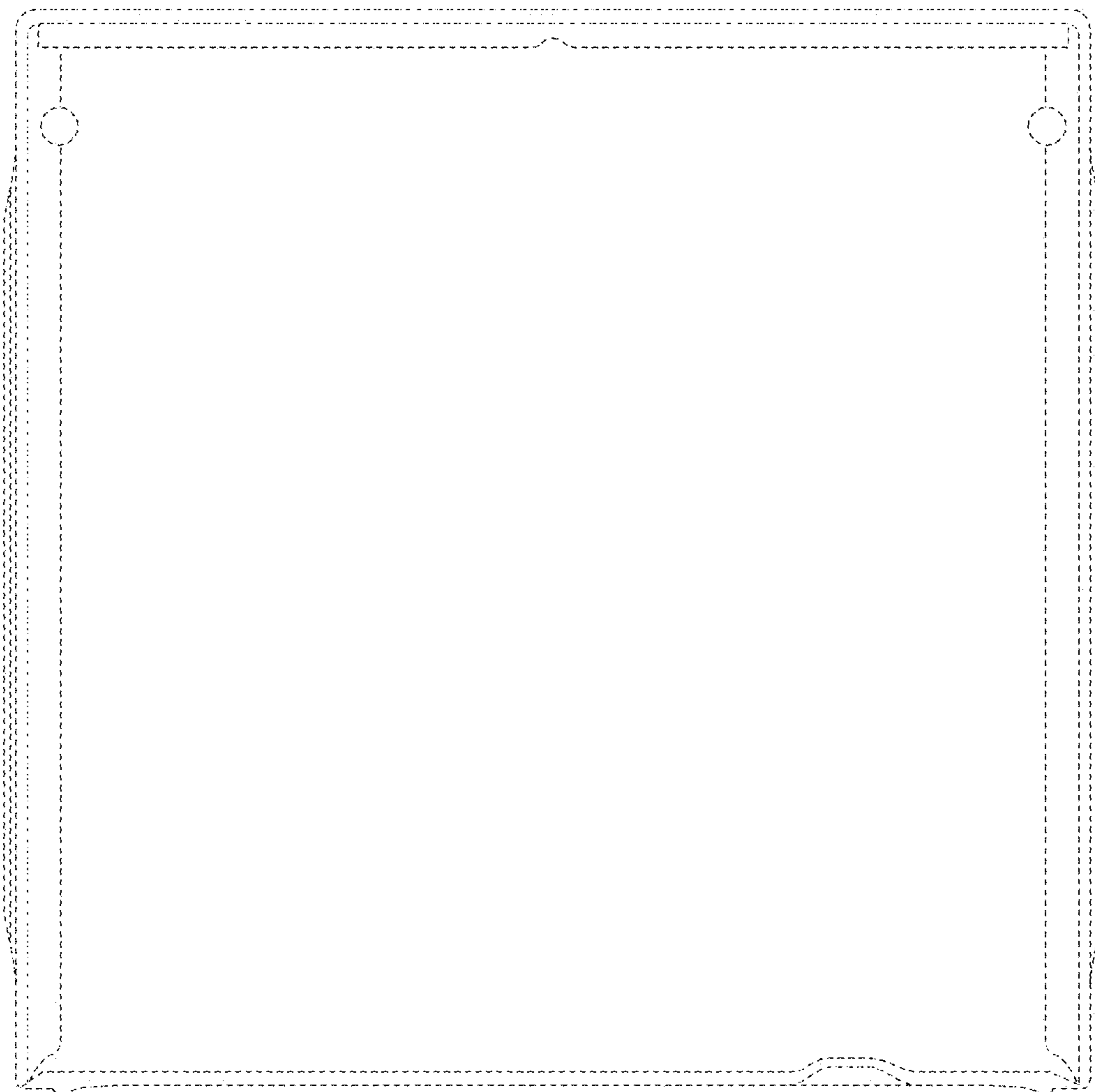


FIG. 4

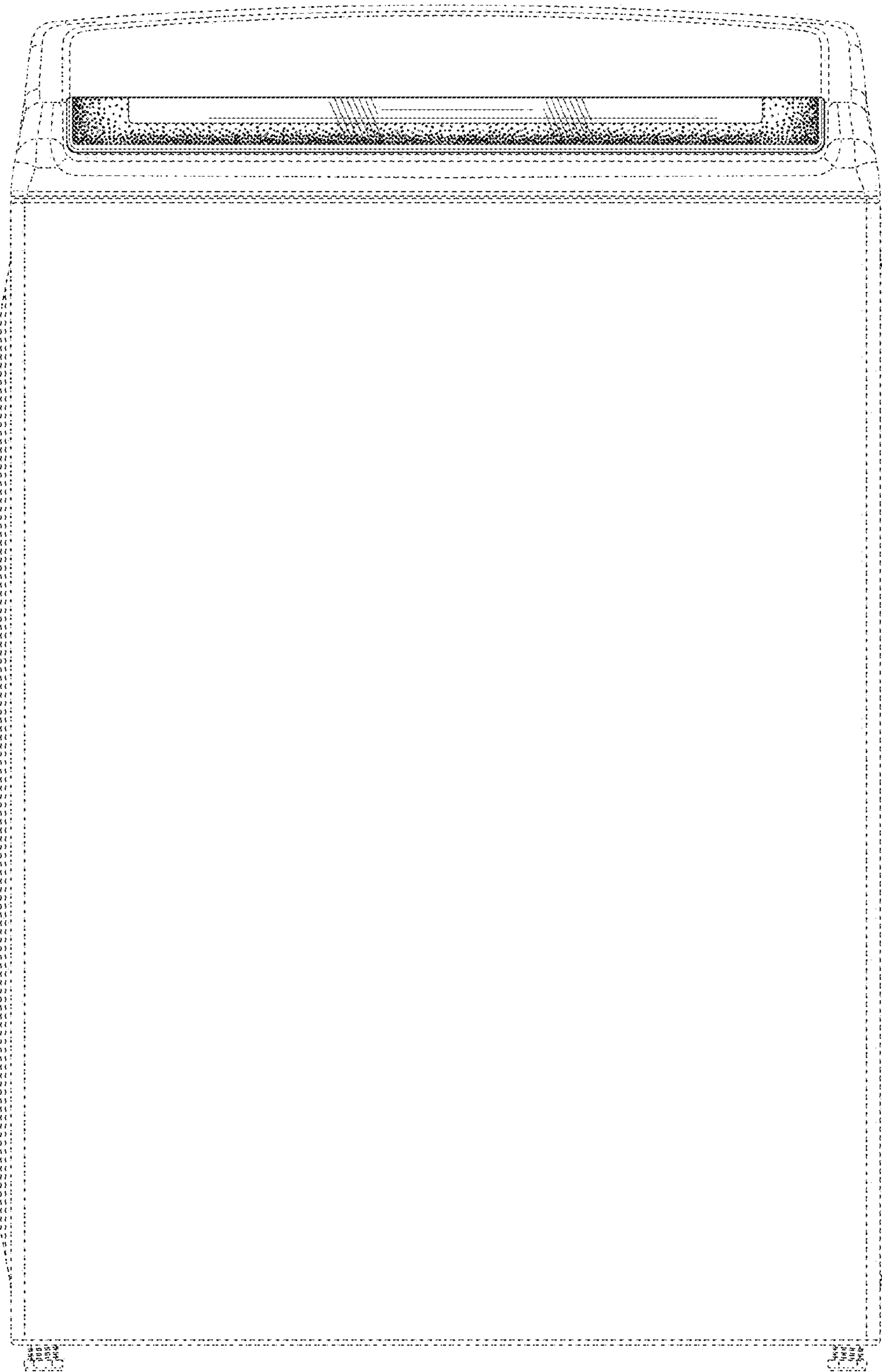


FIG. 5

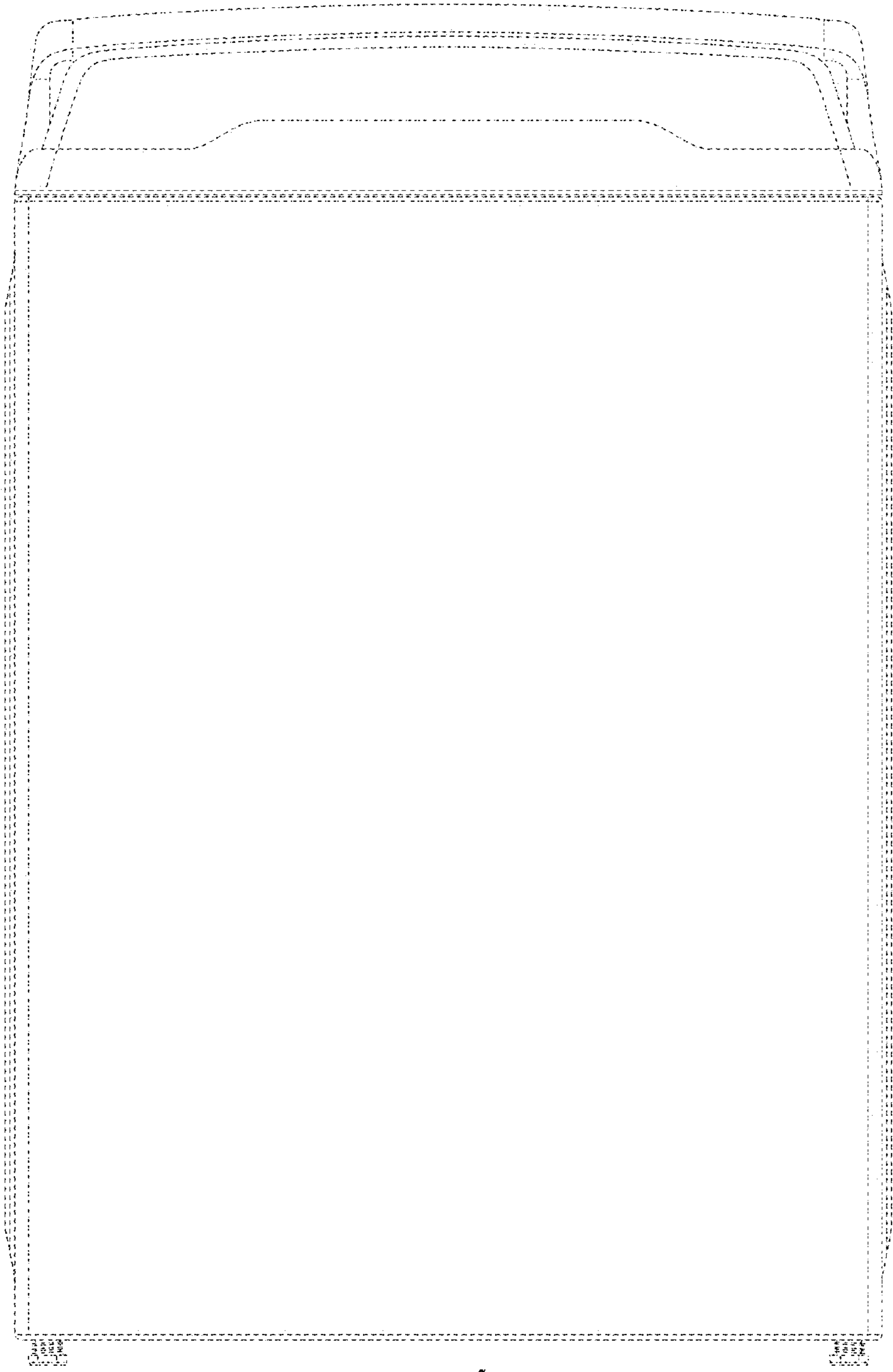


FIG. 6

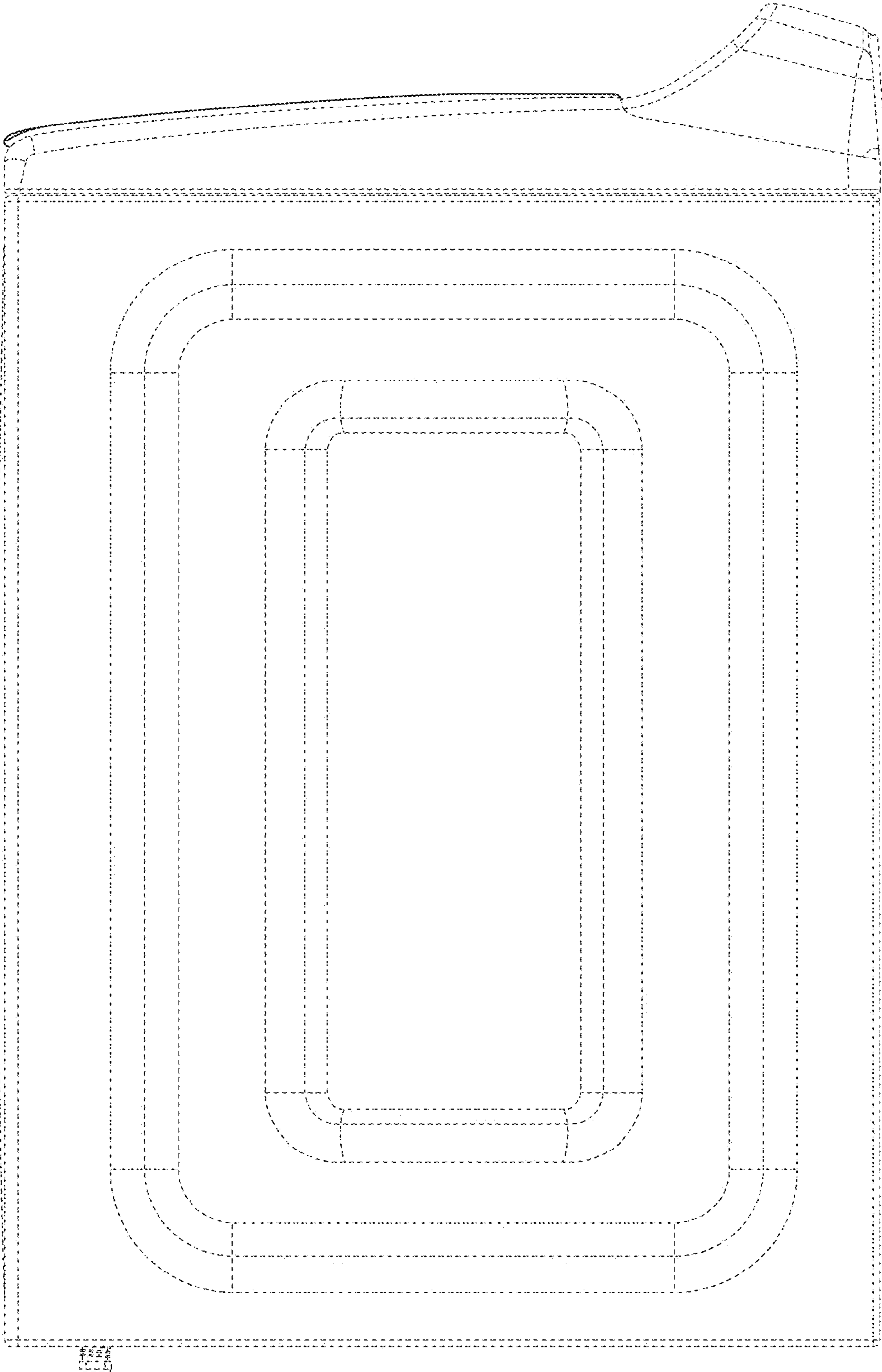


FIG. 7

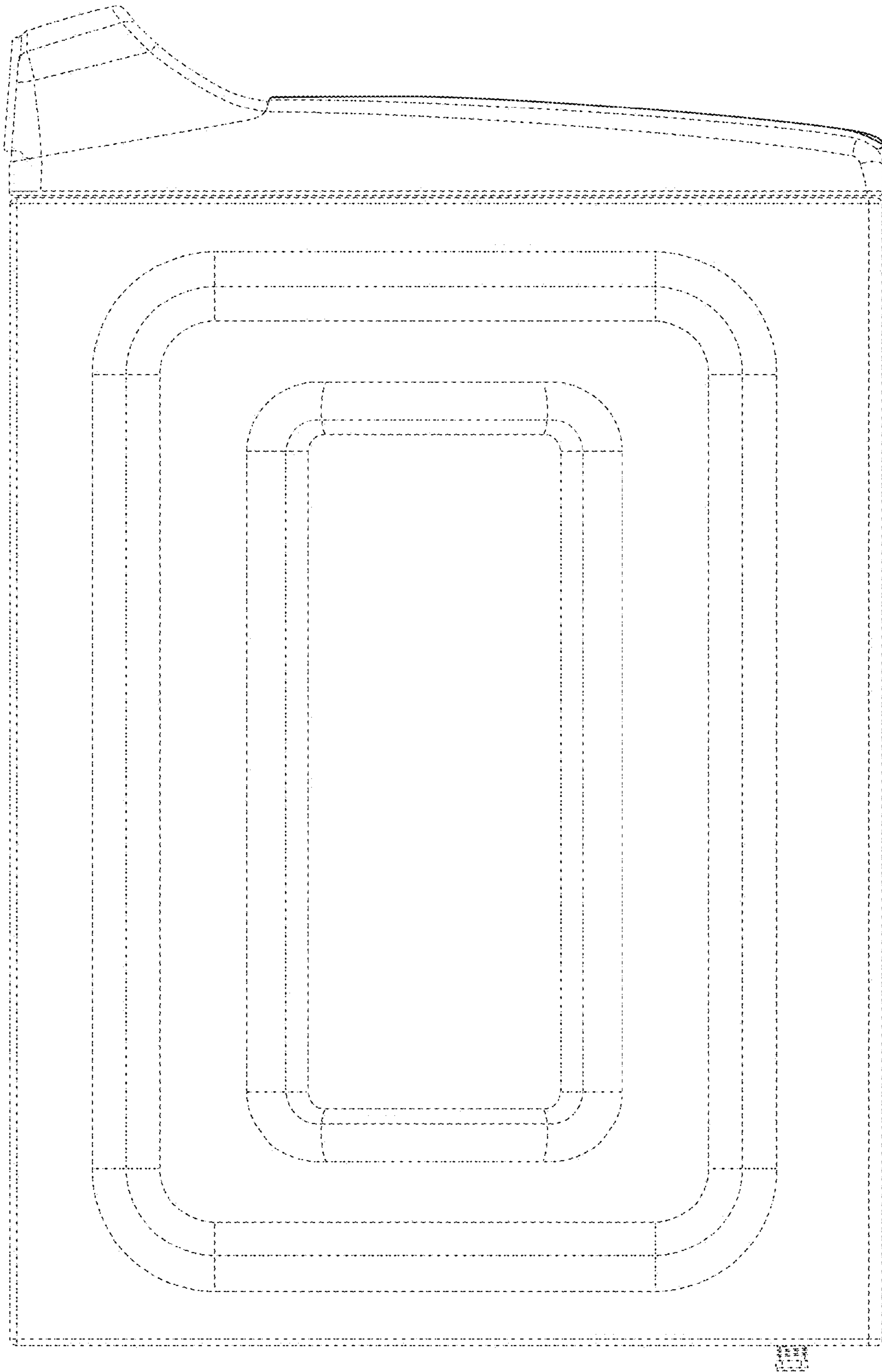


FIG. 8

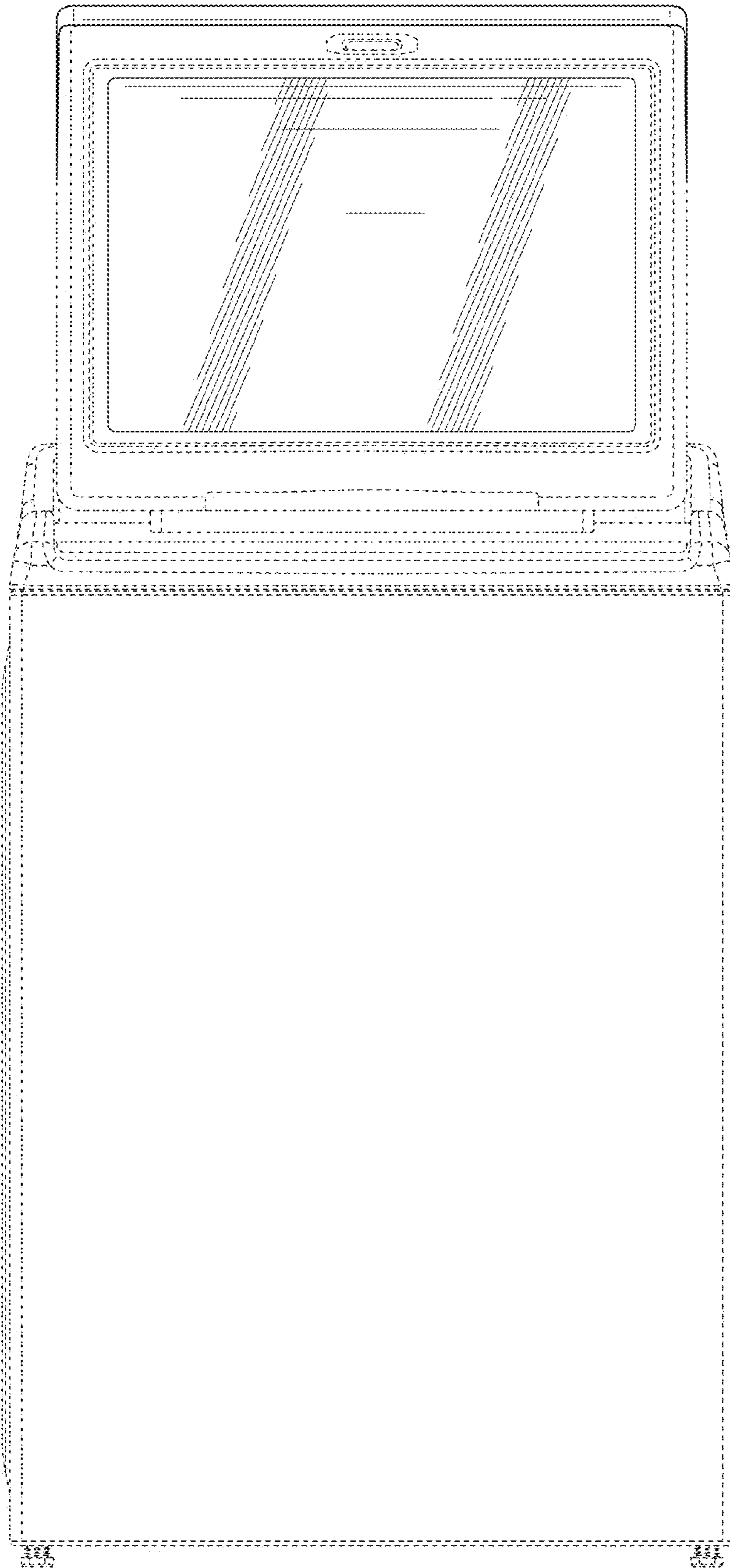


FIG. 9

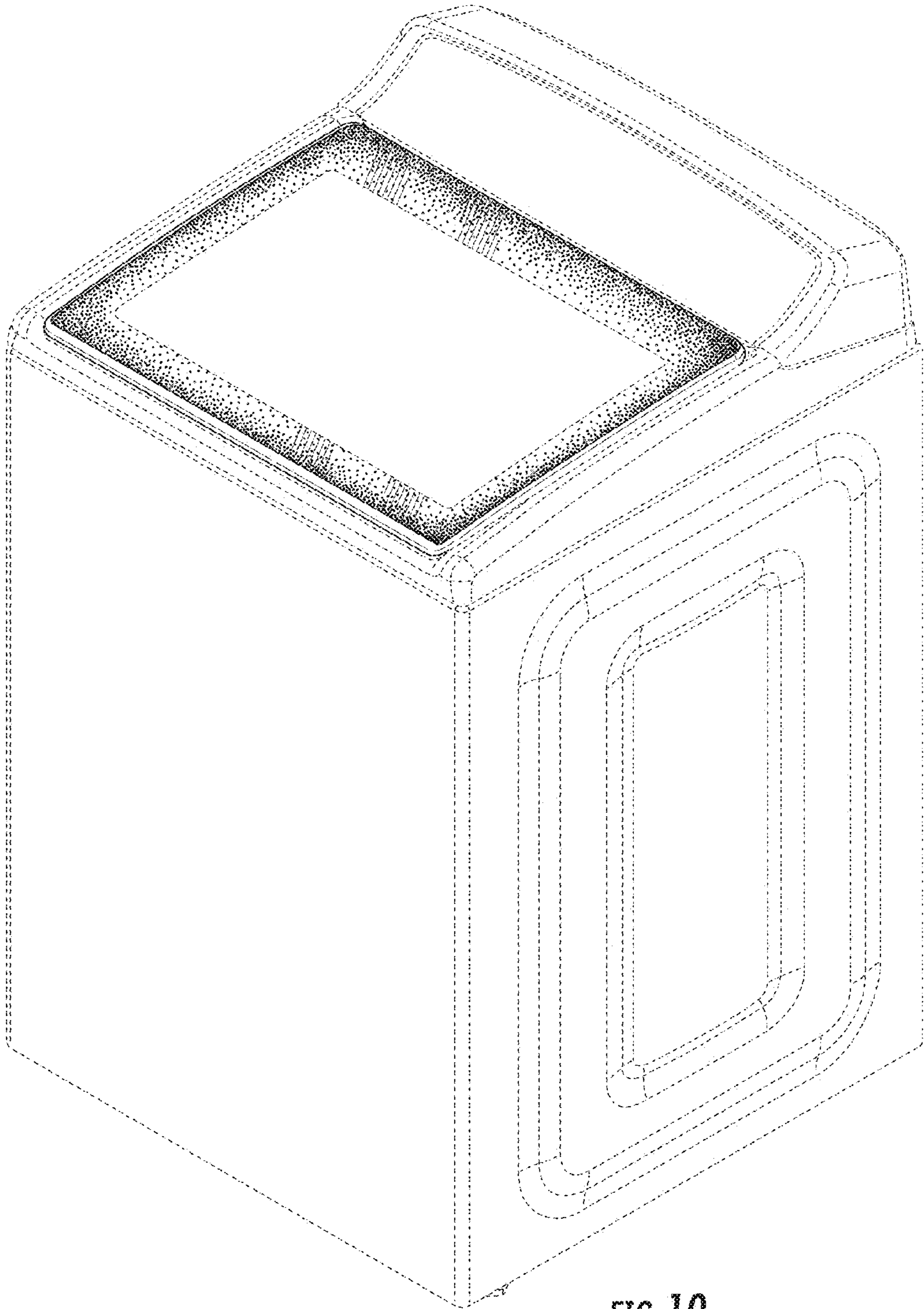


FIG. 10

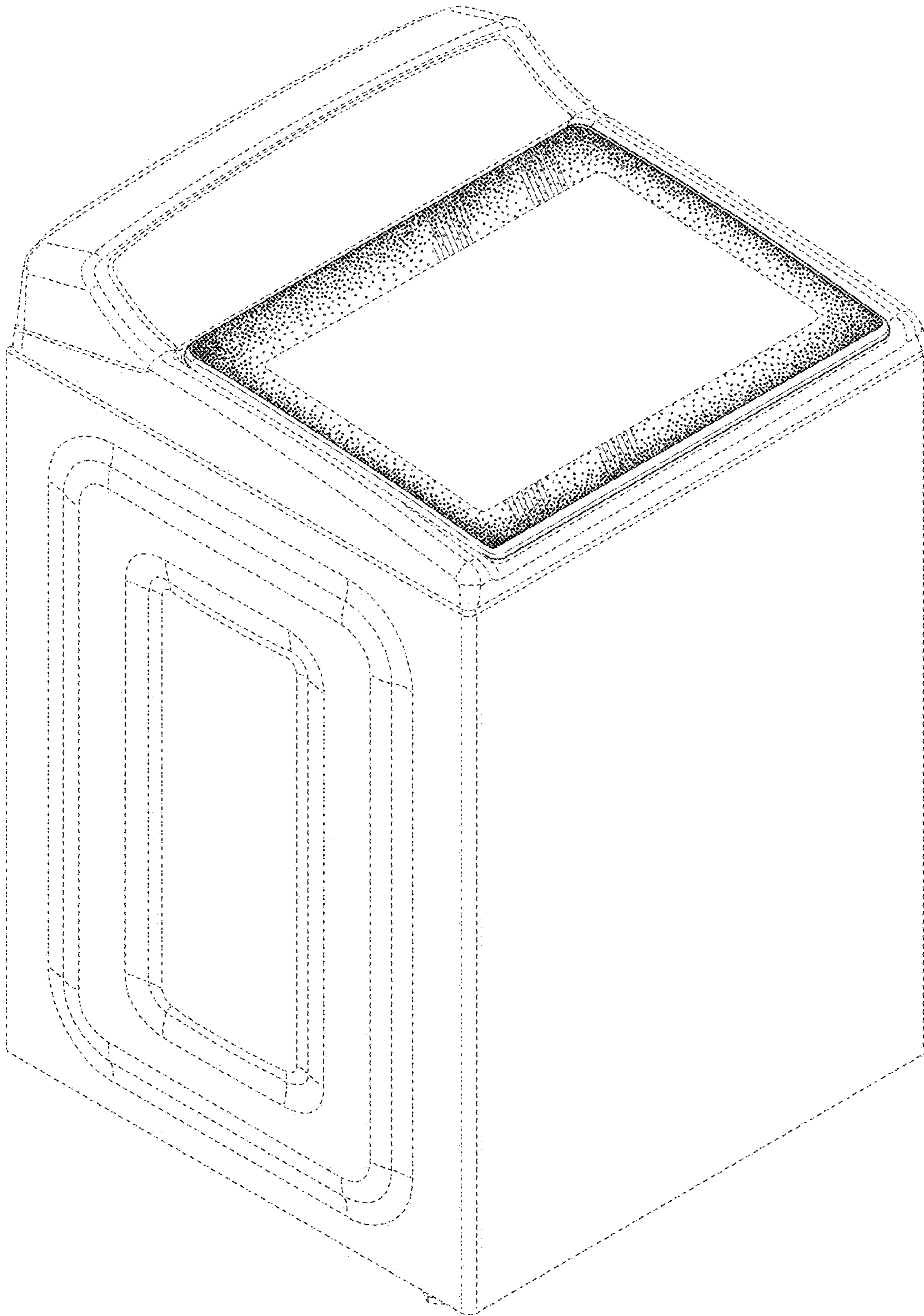


FIG. 11

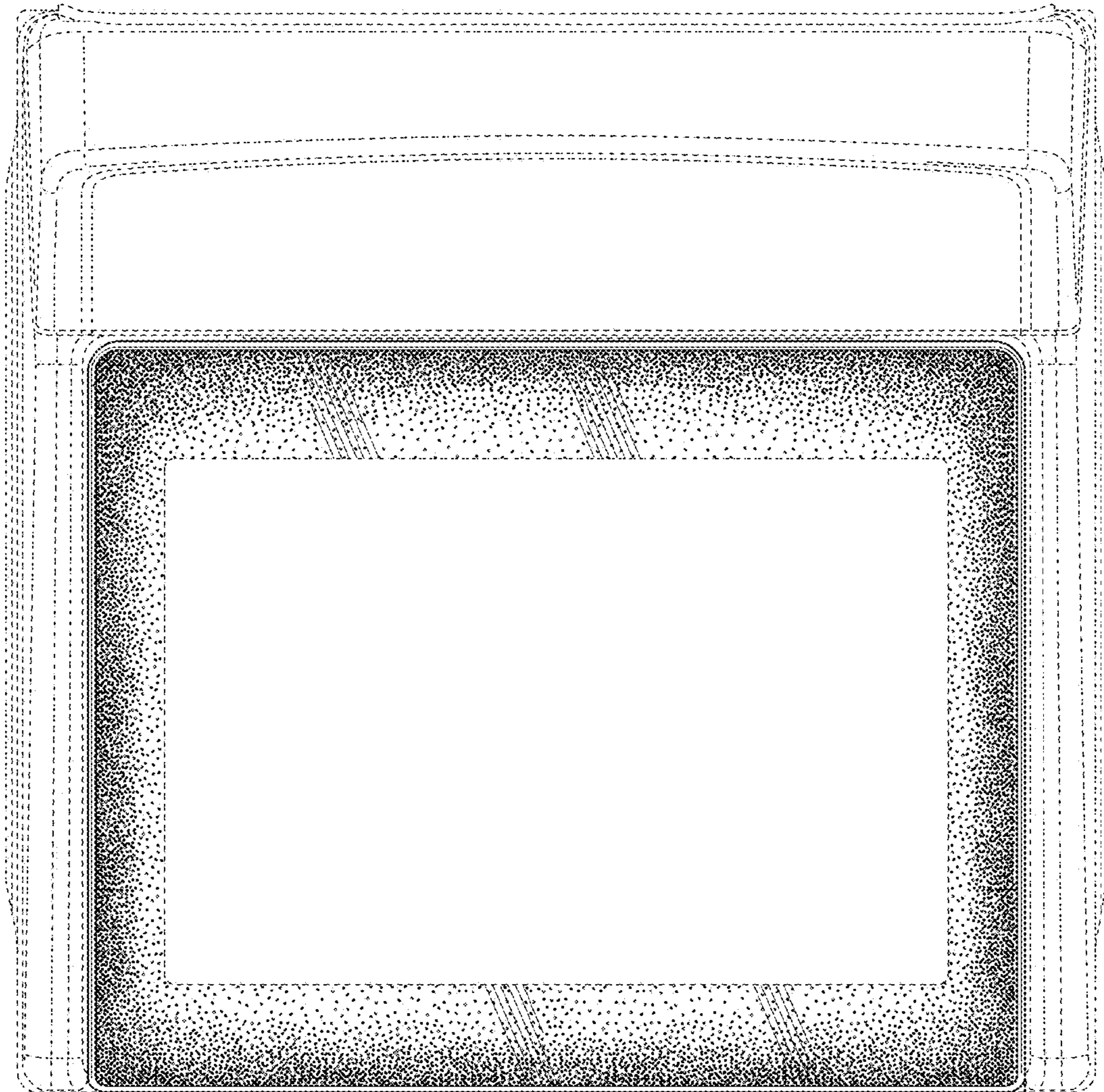


FIG. 12

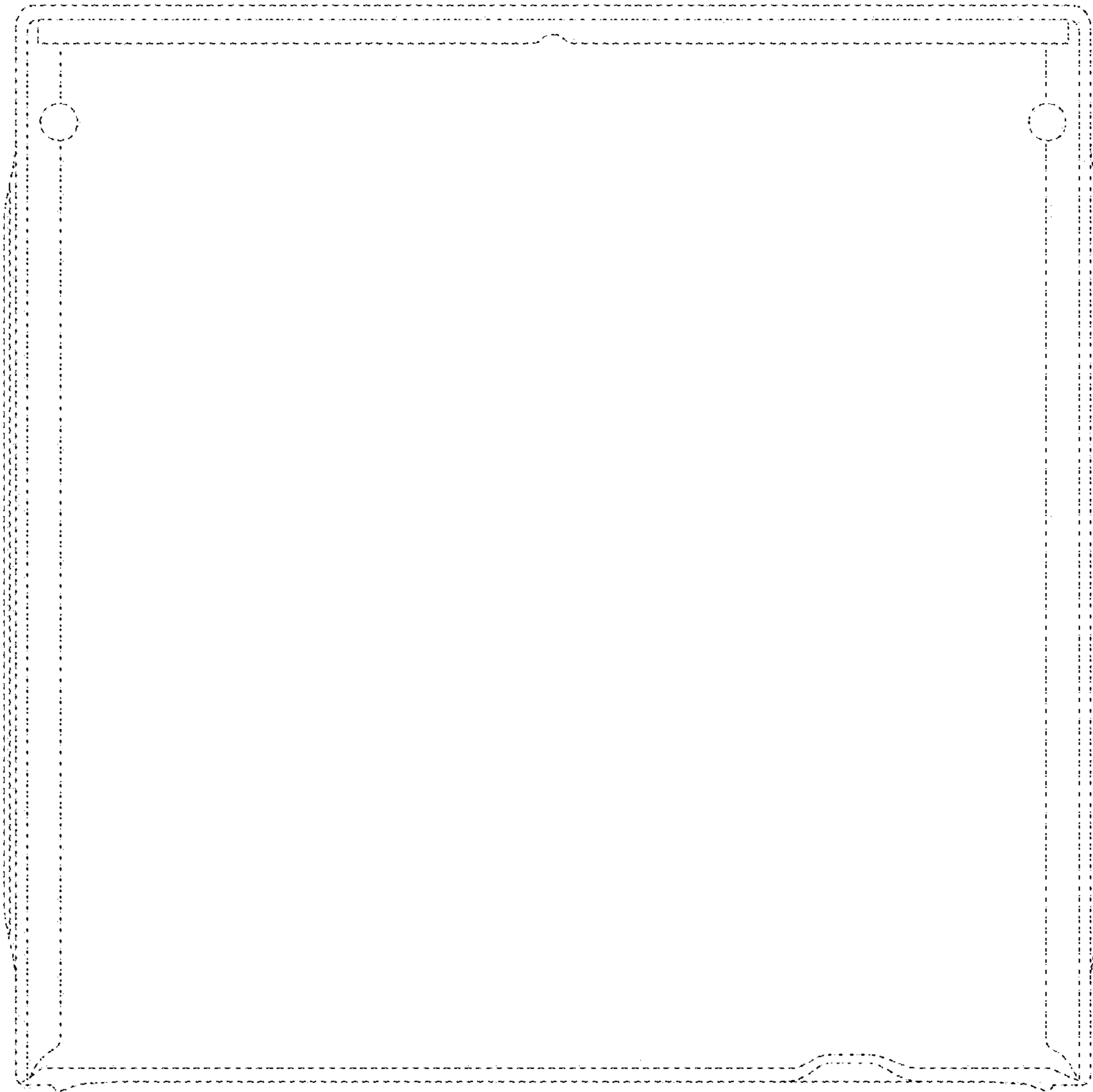


FIG. 13

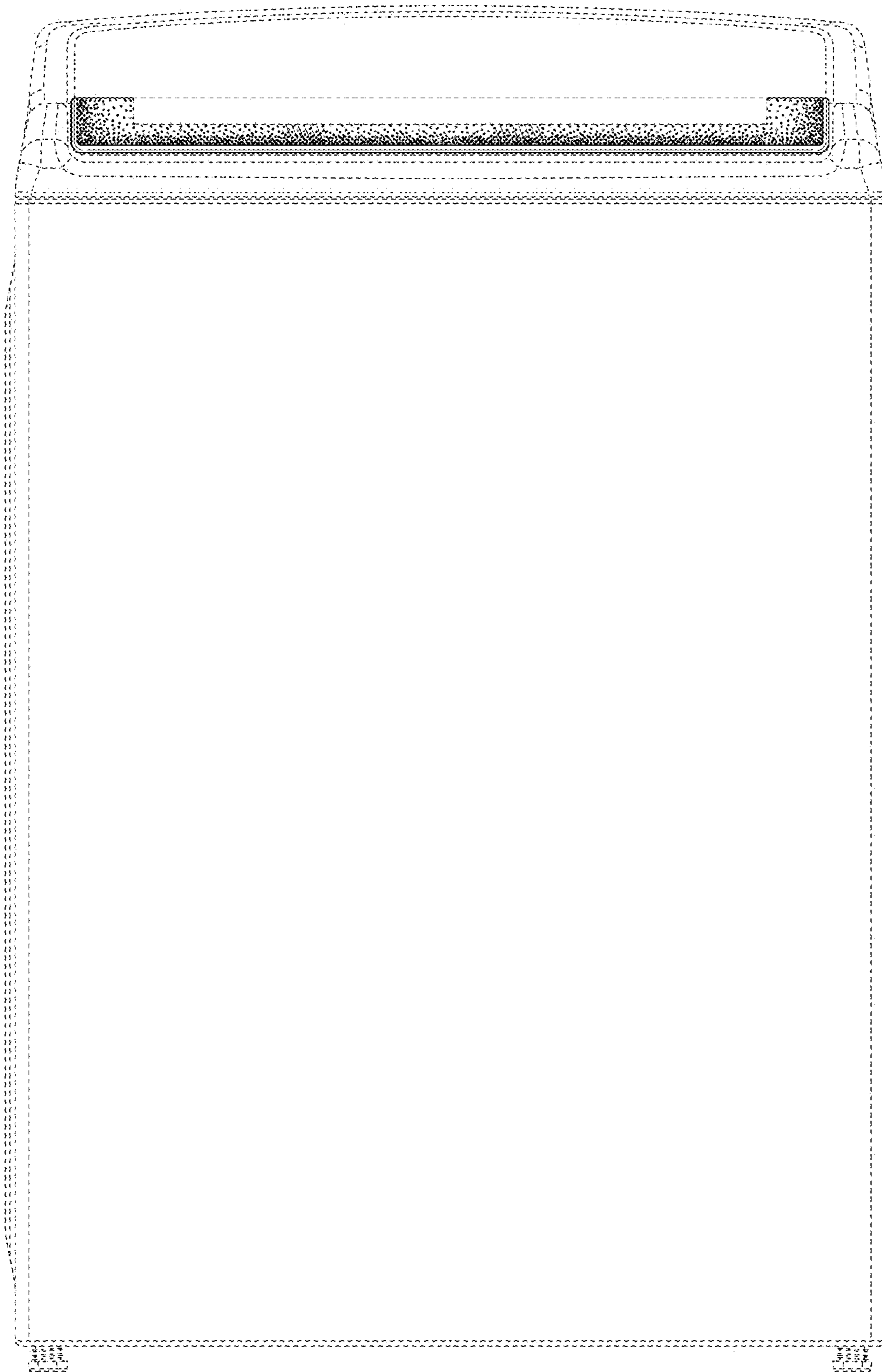


FIG. 14

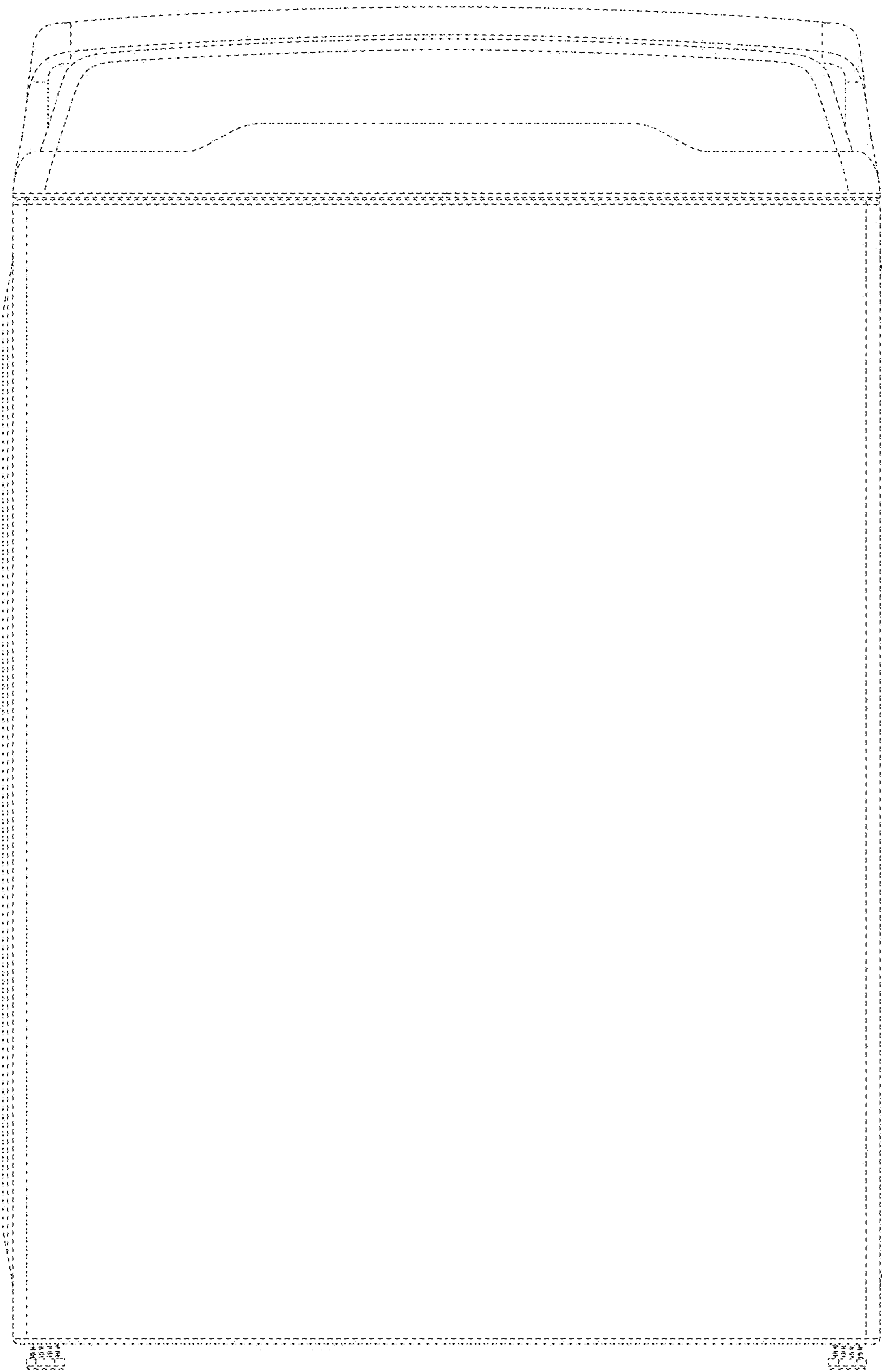


FIG. 15

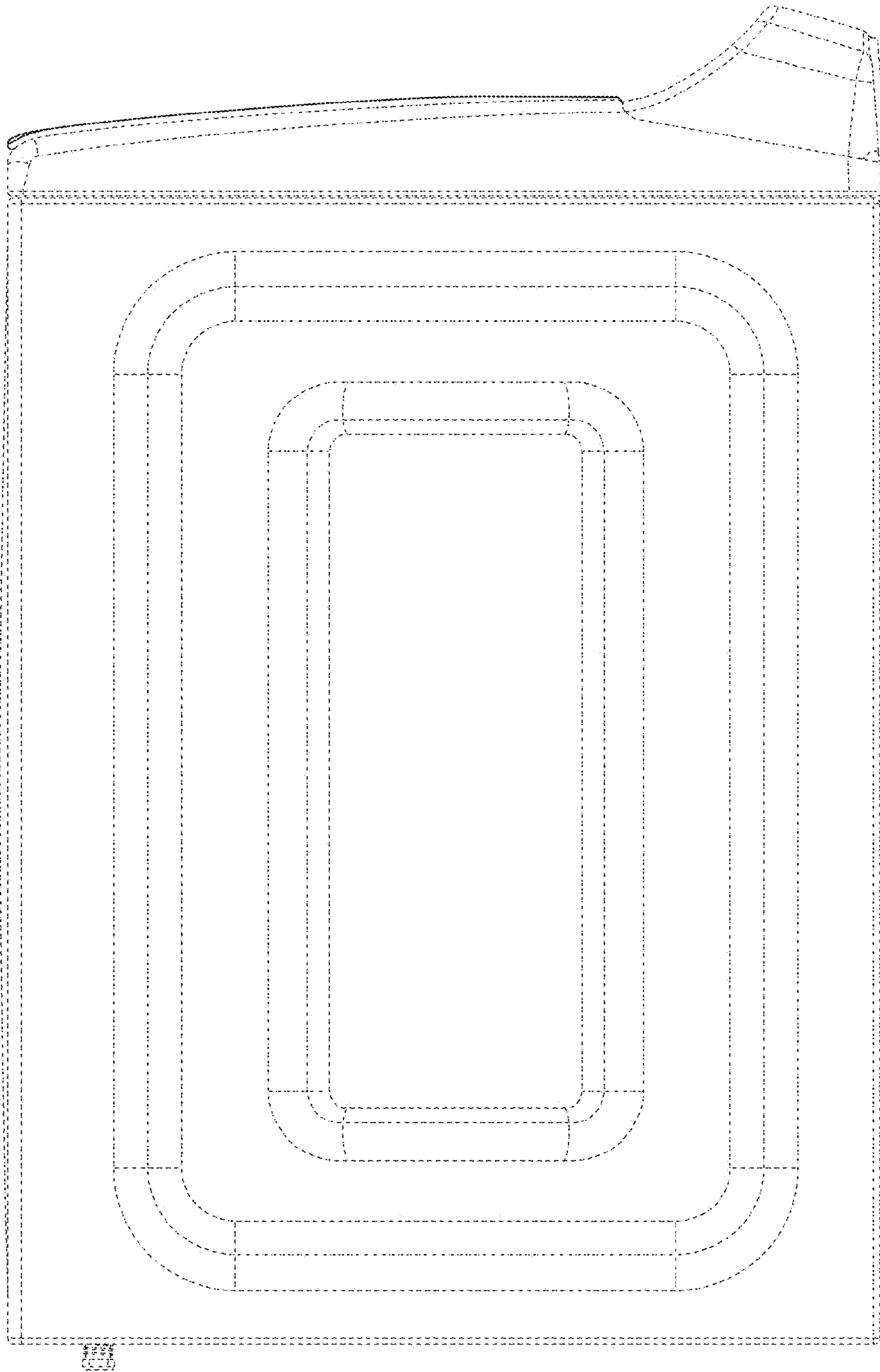


FIG. 16

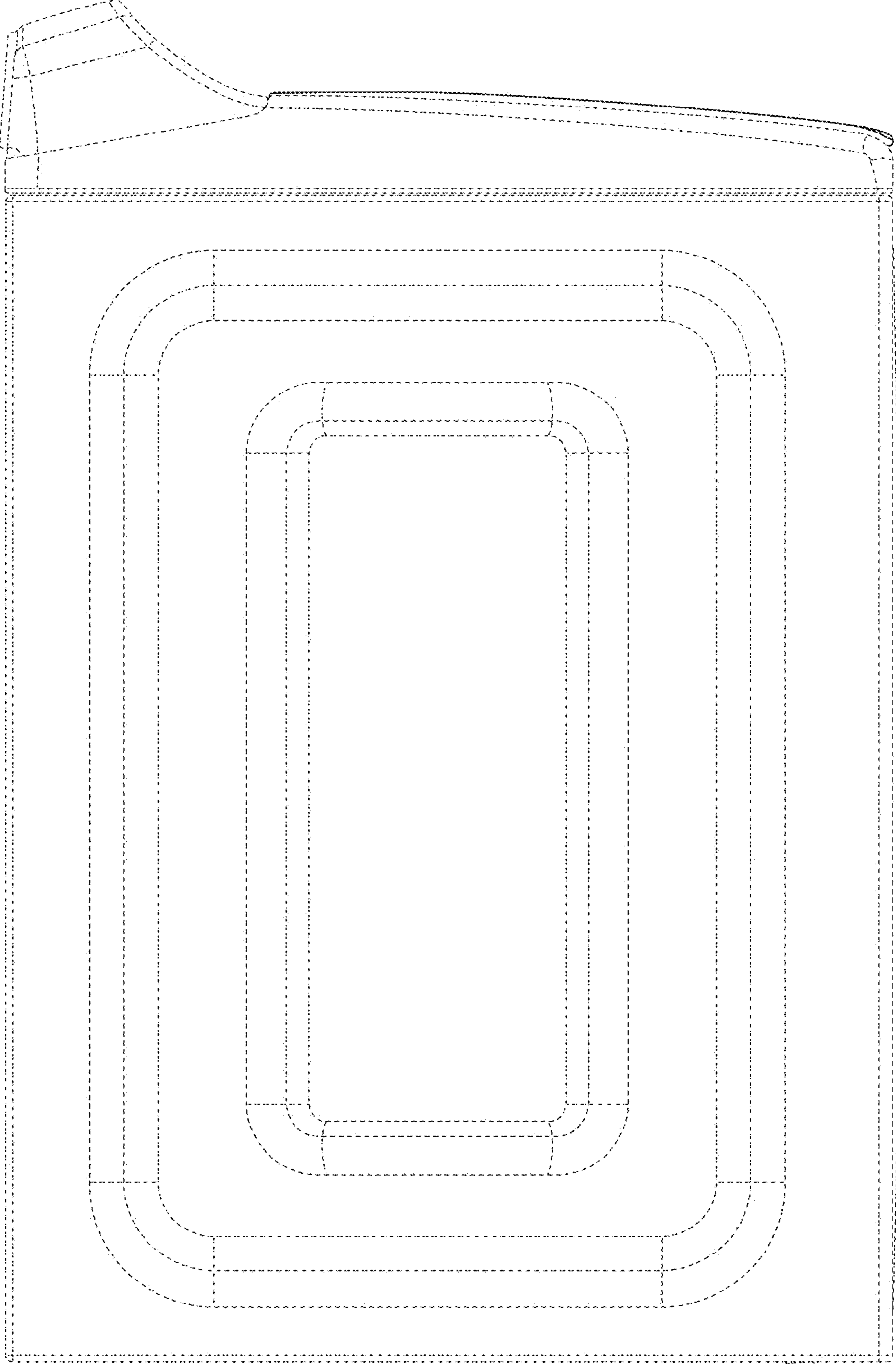
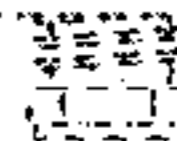


FIG. 17



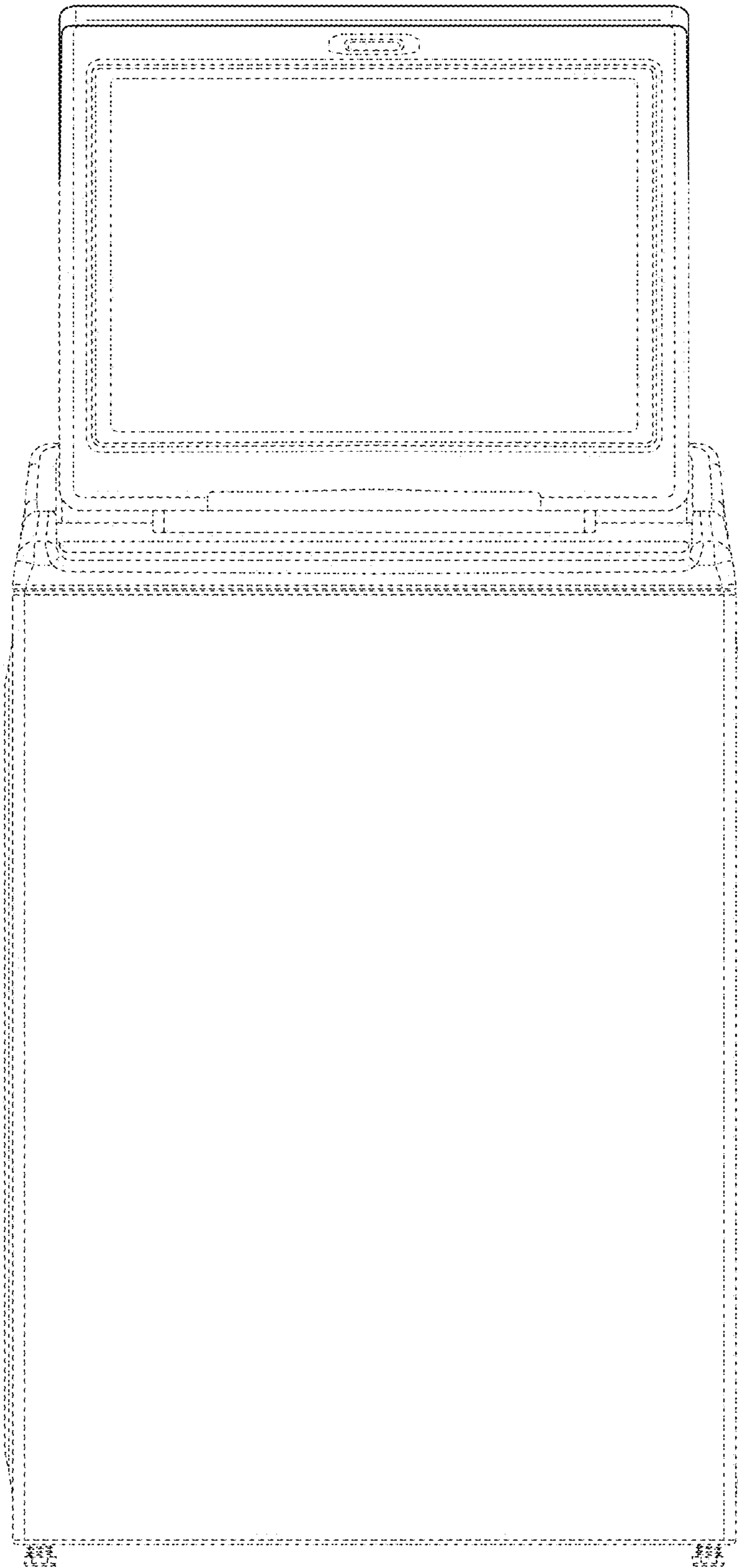


FIG. 18