



US00D758021S

(12) **United States Design Patent**
Goodman et al.

(10) **Patent No.:** **US D758,021 S**
(45) **Date of Patent:** **** May 31, 2016**

- (54) **COUNTERTOP STYLING STATION**
- (71) Applicant: **Spectrum Diversified Designs, Inc.**,
Streetsboro, OH (US)
- (72) Inventors: **Sheldon H. Goodman**, Solon, OH (US);
Phaysouk Xayoiphonh, Akron, OH
(US); **Jennifer K. Case**, Middleburg
Heights, OH (US)
- (73) Assignee: **Spectrum Diversified Designs, LLC**,
Streetsboro, OH (US)
- (**) Term: **14 Years**
- (21) Appl. No.: **29/494,899**
- (22) Filed: **Jun. 25, 2014**
- (51) **LOC (10) Cl.** **28-03**
- (52) **U.S. Cl.**
USPC **D28/73; D28/38**
- (58) **Field of Classification Search**
USPC D28/73, 77, 38, 18; D6/567, 566, 528,
D6/531, 527, 524, 525, 526, 537, 553, 513,
D6/562; D7/600.1-600.4, 704; D8/373,
D8/366, 352, 356, 376, 380; 248/317
CPC A45D 44/04; A45D 20/00; A45D 20/12;
A45D 2020/126; A45D 2020/128; A45D
44/02; A45D 2001/002; A45D 20/16; A47F
5/00; A47F 5/01; A47F 5/13
See application file for complete search history.

(56) **References Cited**
U.S. PATENT DOCUMENTS

D332,670 S *	1/1993	McFarland	D28/38
D390,056 S *	2/1998	Pujals, Jr.	D6/566
6,209,732 B1 *	4/2001	Dennis	A45D 1/04 211/70.6
D472,432 S *	4/2003	Goodman	D7/704
D487,170 S *	2/2004	Petrucelli	D28/73

7,793,793 B1 *	9/2010	Sykes	A47F 5/02 206/6.1
D642,736 S *	8/2011	Reidy	D28/18
D656,794 S *	4/2012	Goodman	D7/600.1

(Continued)

OTHER PUBLICATIONS

Wayfair.com, "hair dryer" tagged items under all bathroom accessories. Accessed on Oct. 6, 2015. (<http://www.wayfair.com/filters/All-Bathroom-Accessories-l363-c1773103-q-hair~dryer.html>).*

(Continued)

Primary Examiner — Jennifer Rivard

Assistant Examiner — April Rivas

(74) *Attorney, Agent, or Firm* — Benesch Friedlander Coplan & Aronoff LLP

(57) **CLAIM**

What is claimed is the ornamental design for a countertop styling station, as shown and described.

DESCRIPTION

FIG. 1 is a perspective view of a countertop styling station showing a new design;

FIG. 2 is a front view of the countertop styling station of FIG. 1;

FIG. 3 is a side view of the countertop styling station of FIG. 1;

FIG. 4 is a rear view of the countertop styling station of FIG. 1;

FIG. 5 is a cross-sectional view taken along line 5-5 of FIG. 4;

FIG. 6 is a top view of the countertop styling station of FIG. 1;

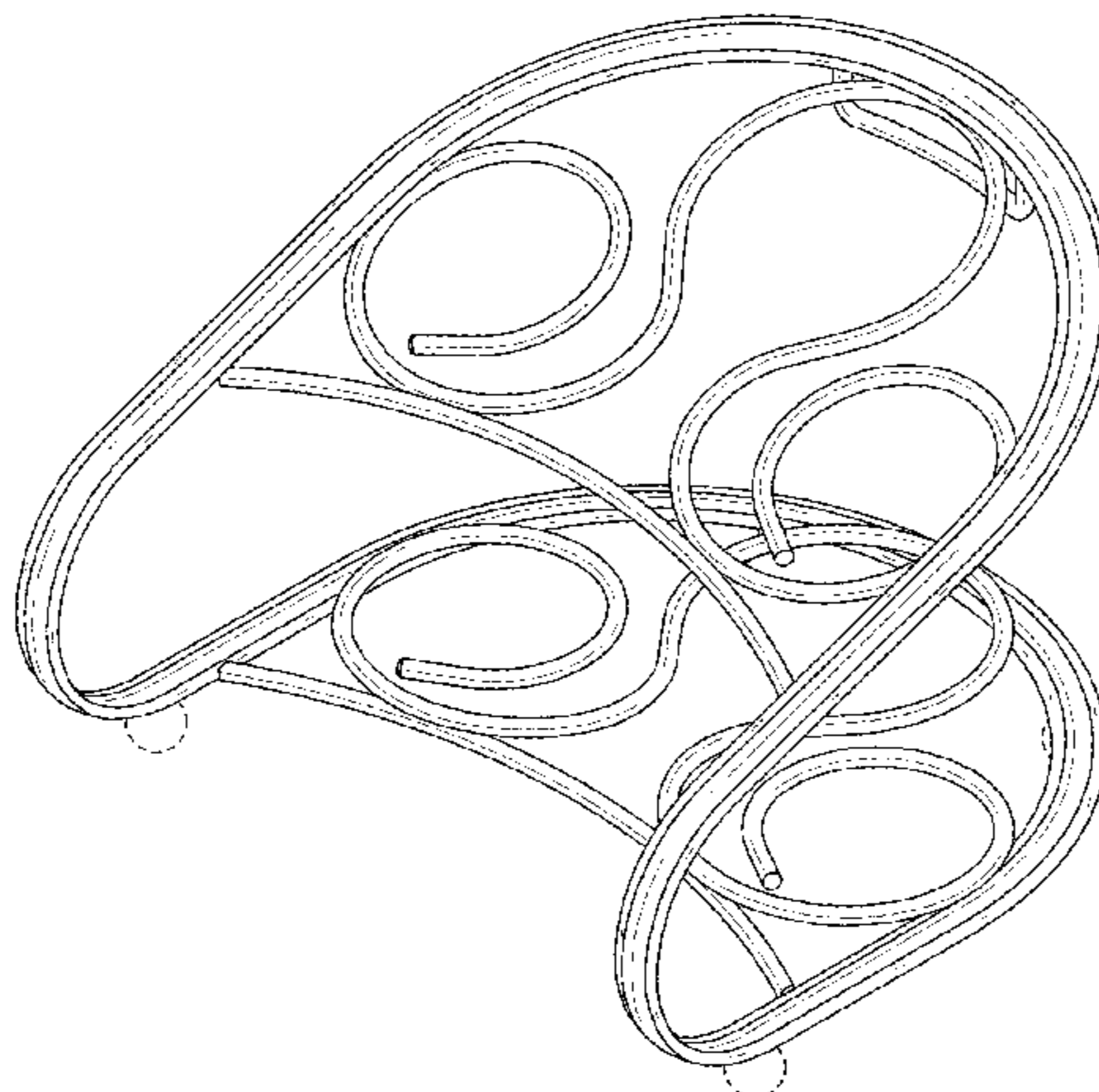
FIG. 7 is a bottom view of the countertop styling station of FIG. 1;

FIG. 8 is a perspective view of another embodiment of the countertop styling station of FIG. 1; and,

FIG. 9 is a cross-sectional view taken along line 10-10 of FIG. 8.

The broken lines illustrate portions of the countertop styling station and form no part of the claimed design.

1 Claim, 4 Drawing Sheets



(56)

References Cited

2006/0289367 A1* 12/2006 Cossey A45D 44/06
211/13.1

U.S. PATENT DOCUMENTS

D686,469 S * 7/2013 Goodman D7/704
D703,381 S * 4/2014 Petruccelli D28/38
D719,797 S * 12/2014 Puruganan D7/600.1
D720,580 S * 1/2015 Puruganan D7/600.1

OTHER PUBLICATIONS

Google.com image search "countertop bathroom organizer wire",
date restricted to show results prior to Oct. 30, 2013.*

* cited by examiner

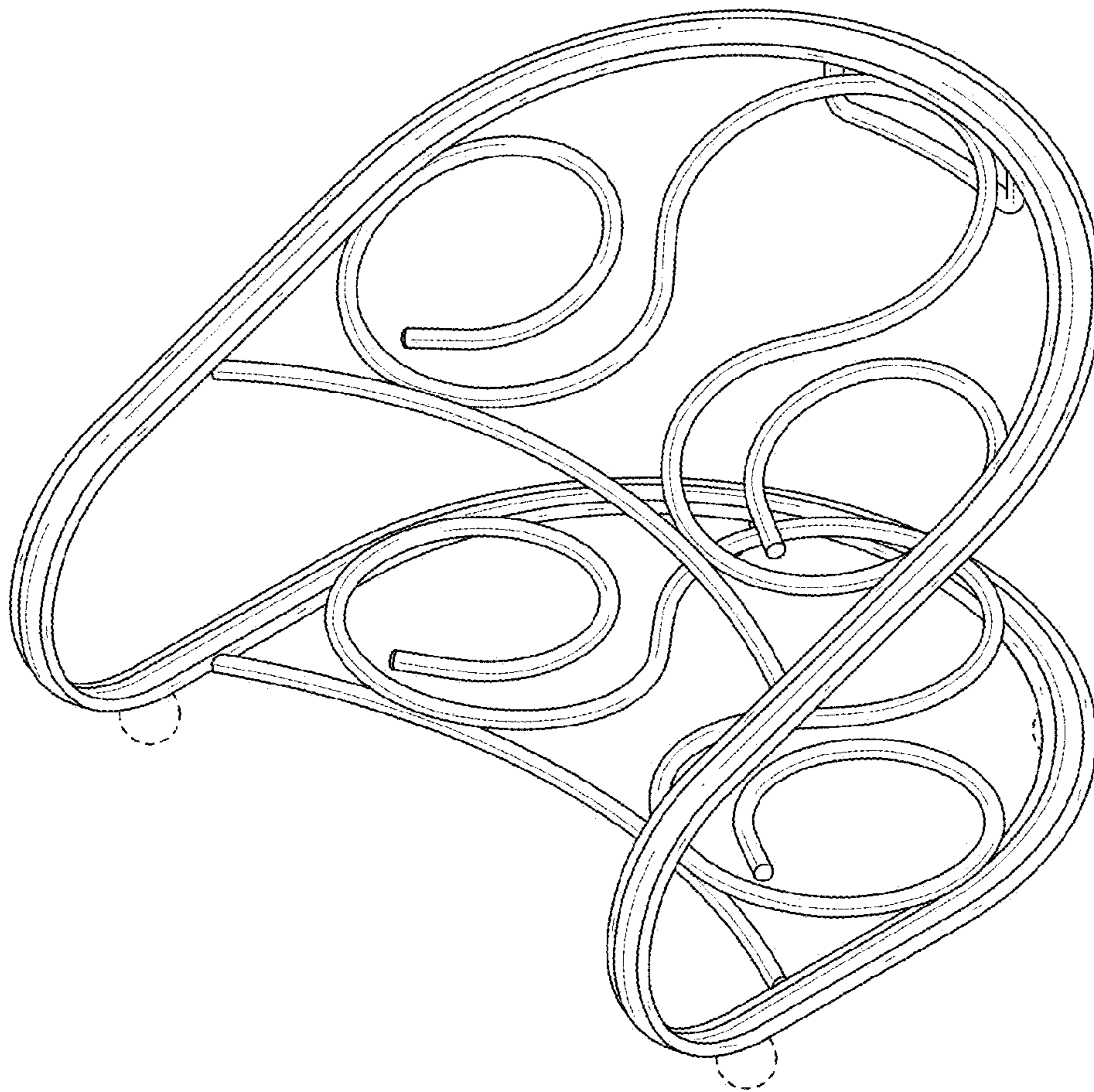


FIG. 1

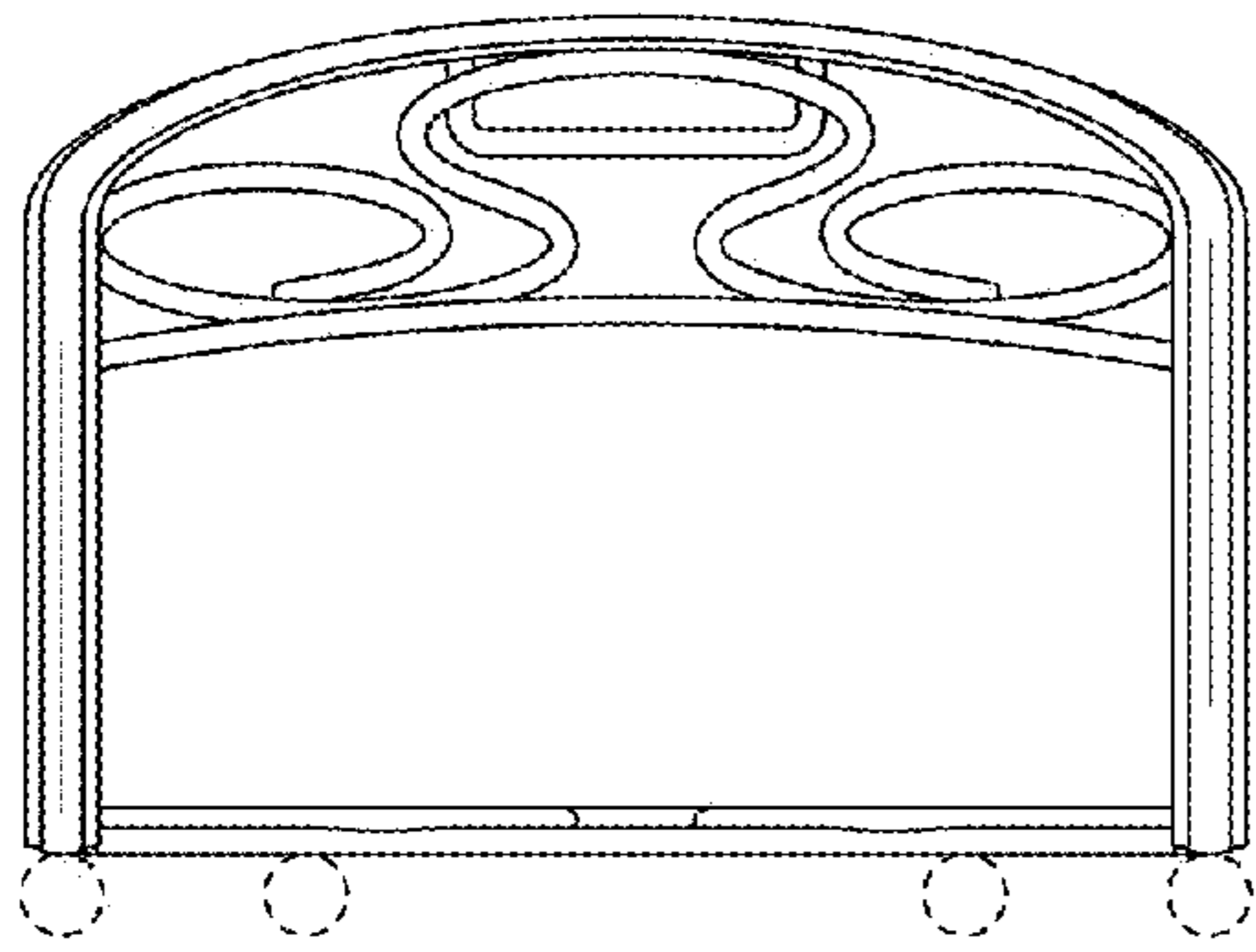


FIG. 2

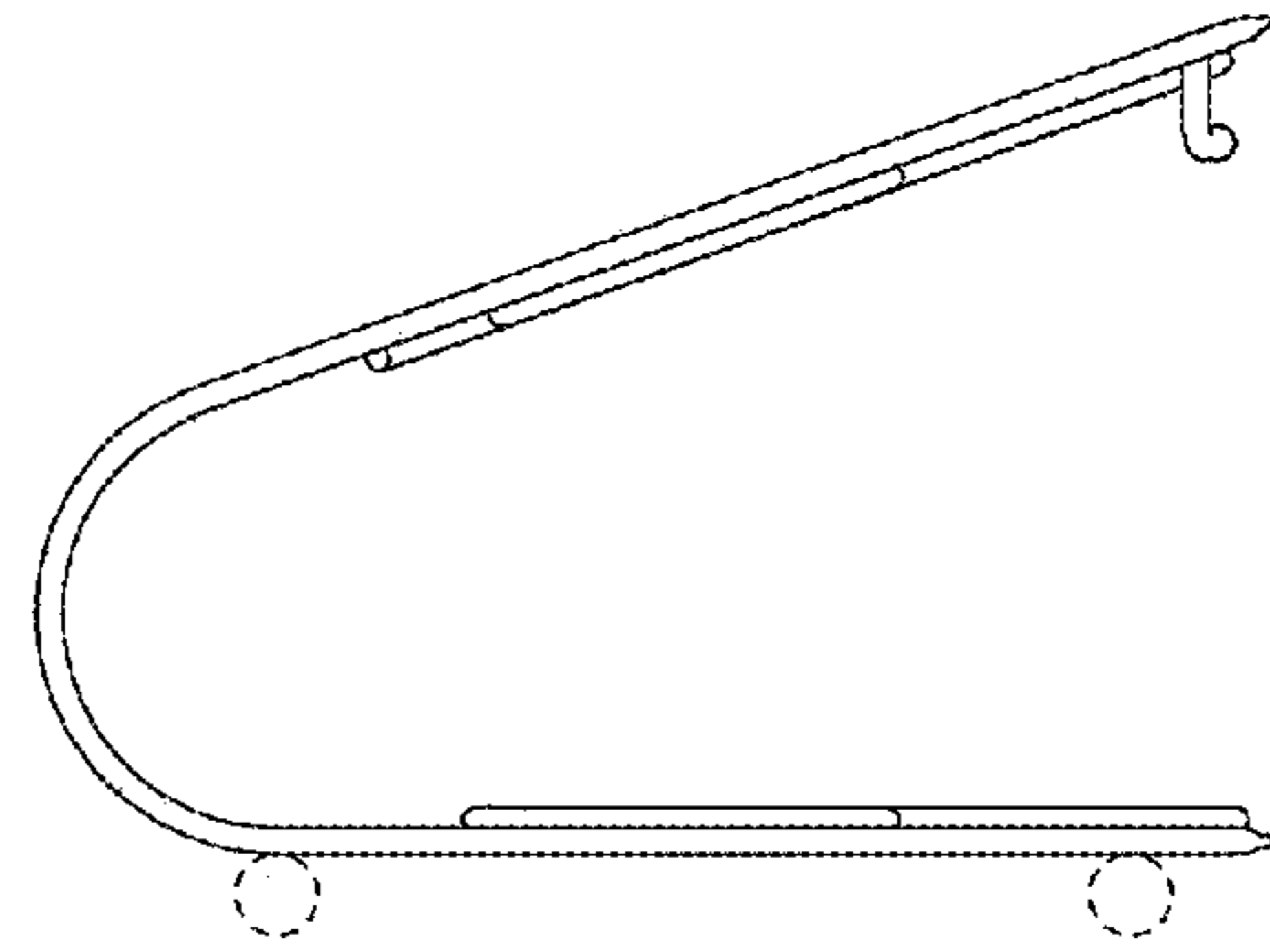


FIG. 3

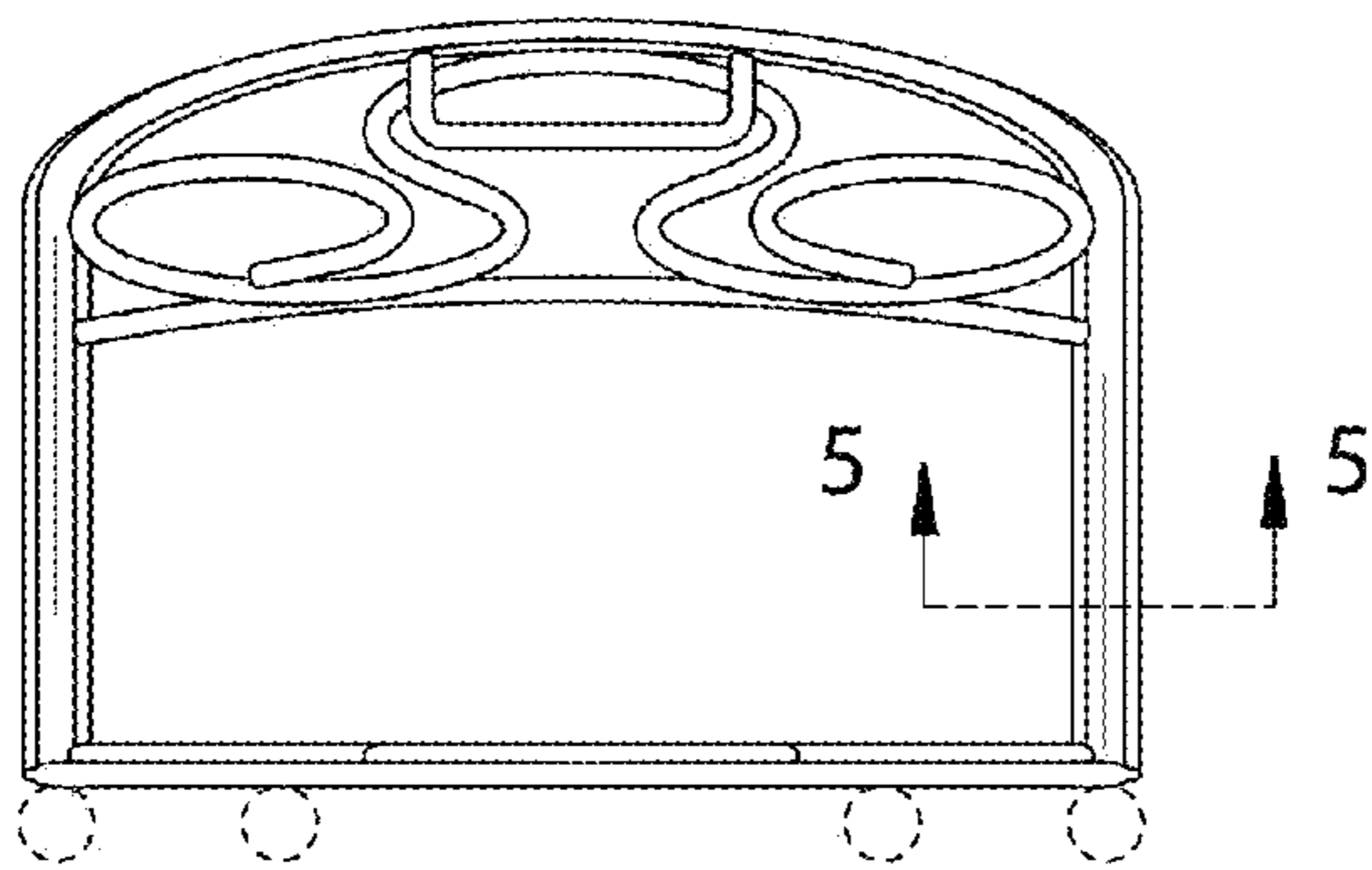


FIG. 4



FIG. 5

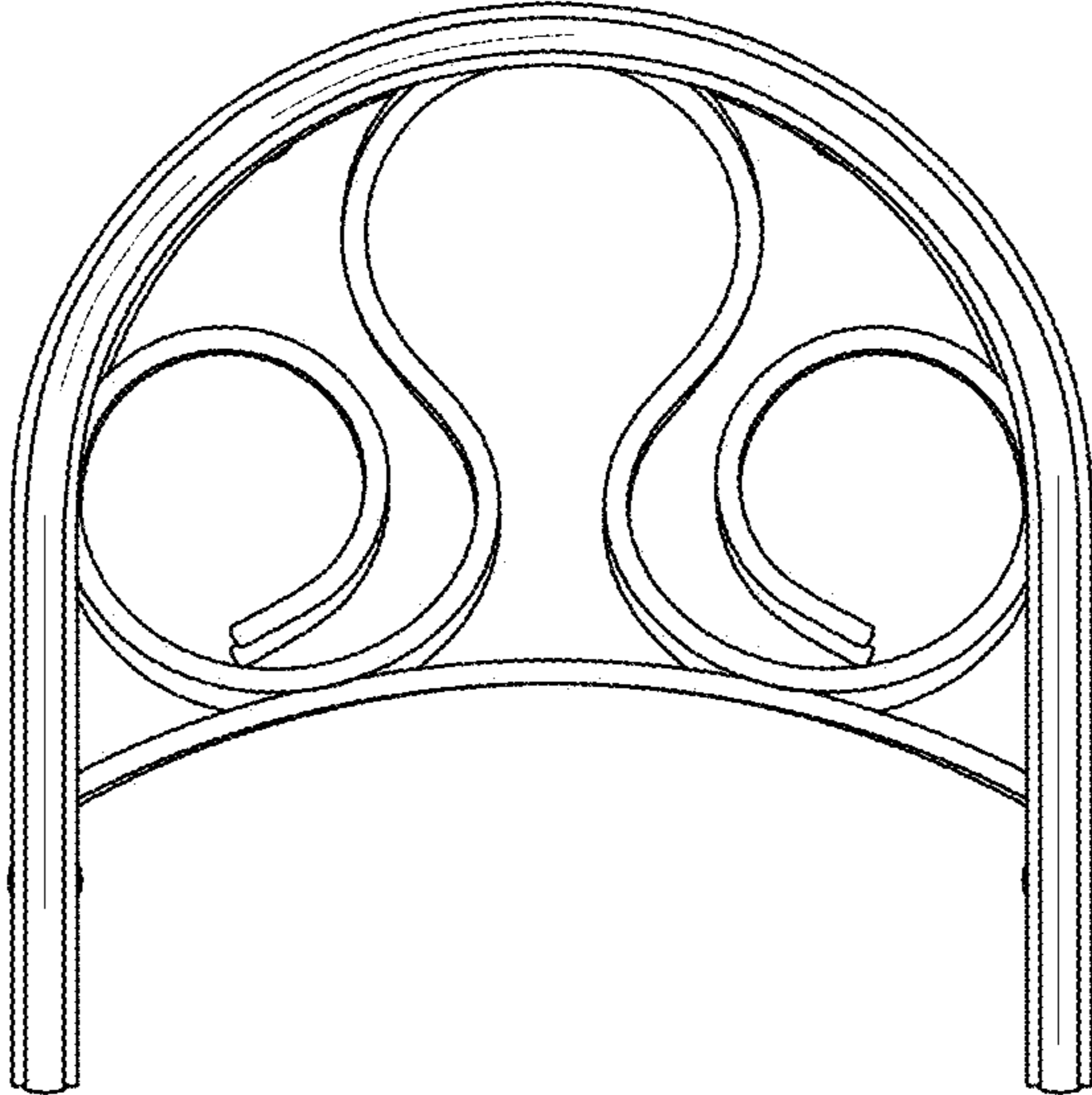


FIG. 6

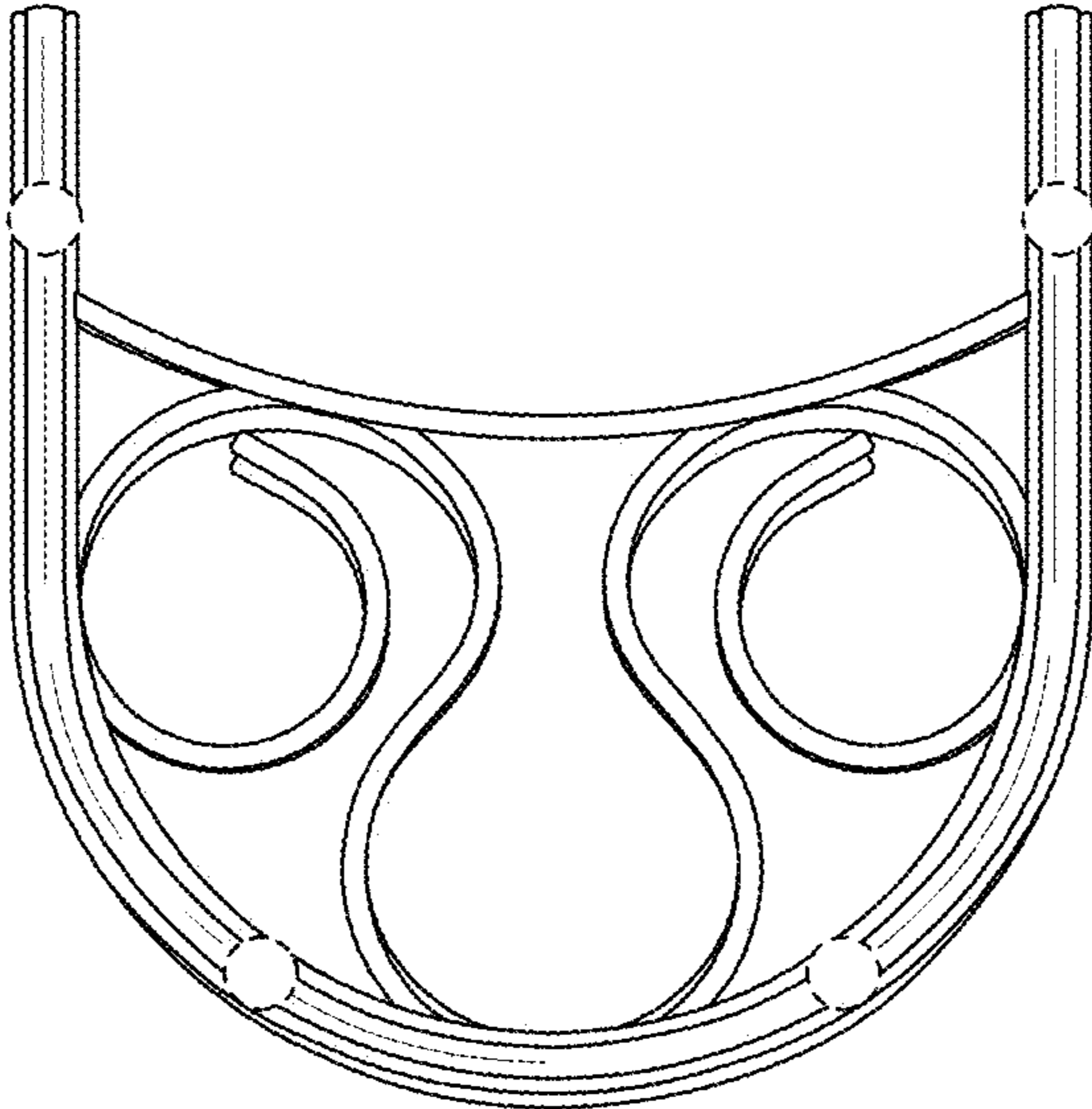


FIG. 7

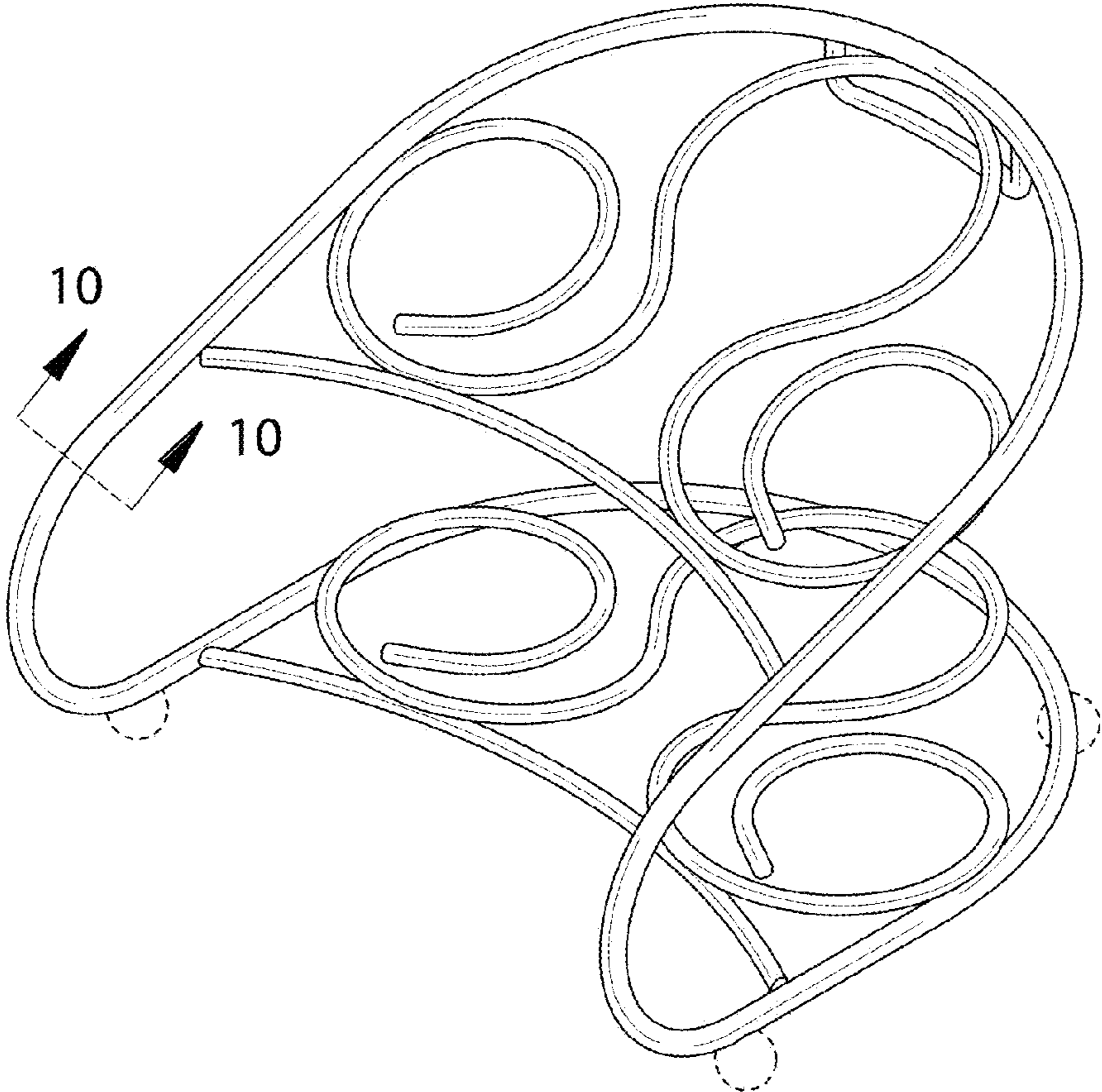


FIG. 8

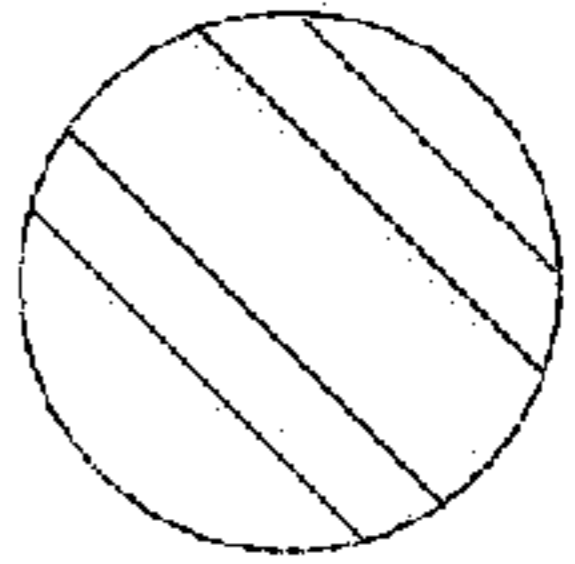


FIG. 9