



US00D758018S

(12) **United States Design Patent**
Okabe et al.

(10) **Patent No.:** **US D758,018 S**
(45) **Date of Patent:** **** May 31, 2016**

(54) **SHAVER HEAD**
(71) Applicant: **Panasonic Intellectual Property Management Co., Ltd.**, Osaka-shi, Osaka (JP)
(72) Inventors: **Kensaku Okabe**, Osaka (JP); **Hiroaki Shimizu**, Shiga (JP); **Masaaki Sato**, Shiga (JP)
(73) Assignee: **PANASONIC INTELLECTUAL PROPERTY MANAGEMENT CO., LTD.**, Osaka (JP)
(**) Term: **14 Years**
(21) Appl. No.: **29/521,200**
(22) Filed: **Mar. 20, 2015**
(51) **LOC (10) Cl.** **28-03**
(52) **U.S. Cl.**
USPC **D28/54**
(58) **Field of Classification Search**
USPC D28/44.1, 49-54
CPC B26B 19/00; B26B 19/02-19/107;
B26B 19/12; B26B 19/14-19/18; B26B 19/20-19/22; B26B 19/26-19/36; B26B 19/38-19/48; B26B 21/10-21/12
See application file for complete search history.

D689,242 S * 9/2013 Grabes D28/54
D696,458 S * 12/2013 Ino D28/51
8,627,574 B2 * 1/2014 Shimizu B26B 19/048
30/42
D702,882 S * 4/2014 Grabes D28/51
8,720,069 B2 * 5/2014 Iwashita B26B 19/048
30/346.51
D713,994 S * 9/2014 Grabes D28/54
D717,996 S * 11/2014 Kikuchi D28/51
D718,495 S * 11/2014 Okabe D28/51
D718,900 S * 12/2014 Kikuchi D28/54
2008/0134515 A1 * 6/2008 Sato B26B 19/046
30/43.91
2010/0180447 A1 * 7/2010 Sato B26B 19/04
30/43.92
2010/0180448 A1 * 7/2010 Sato B26B 19/048
30/43.92
2010/0269350 A1 * 10/2010 Iwashita B26B 19/048
30/43.92
2013/0097871 A1 * 4/2013 Yamaguchi B26B 19/28
30/45

FOREIGN PATENT DOCUMENTS

CN 302459400 6/2013
JP D1408759 S 3/2011
JP D1451896 S 9/2012

* cited by examiner

Primary Examiner — Jennifer Rivard
(74) *Attorney, Agent, or Firm* — Brinks Gilson & Lione

(57) **CLAIM**
We claim the ornamental design for a shaver head, as shown and described.

(56) **References Cited**
U.S. PATENT DOCUMENTS
D511,398 S * 11/2005 Nishizawa D28/49
D513,541 S * 1/2006 Nishizawa D28/49
D571,956 S * 6/2008 Nishizawa D28/49
7,794,276 B2 * 9/2010 Shigeta B26B 19/3833
439/205
D648,482 S * 11/2011 Kim D28/50
D648,483 S * 11/2011 Ino D28/51
D648,486 S * 11/2011 Ino D28/54
D648,896 S * 11/2011 Ino D28/54
D657,912 S * 4/2012 Yoon D28/54
8,479,397 B2 * 7/2013 Sato B26B 19/046
30/346.51

DESCRIPTION

FIG. 1 is a top perspective view of a shaver head of the present invention;
FIG. 2 is a front view thereof;
FIG. 3 is a rear view thereof;
FIG. 4 is a first side view thereof;
FIG. 5 is a second side view thereof; and,
FIG. 6 is a top view thereof.

1 Claim, 6 Drawing Sheets

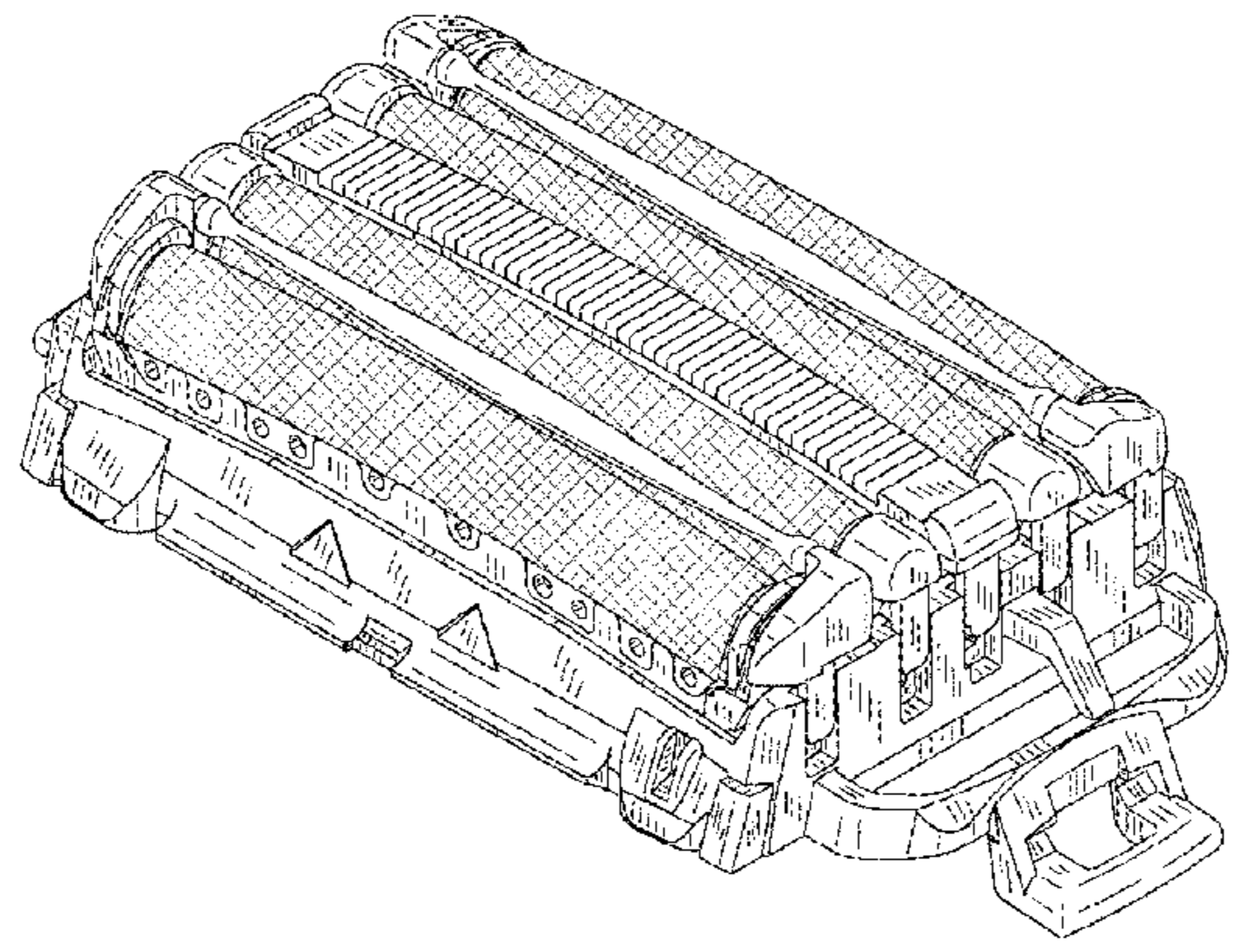


FIG.1

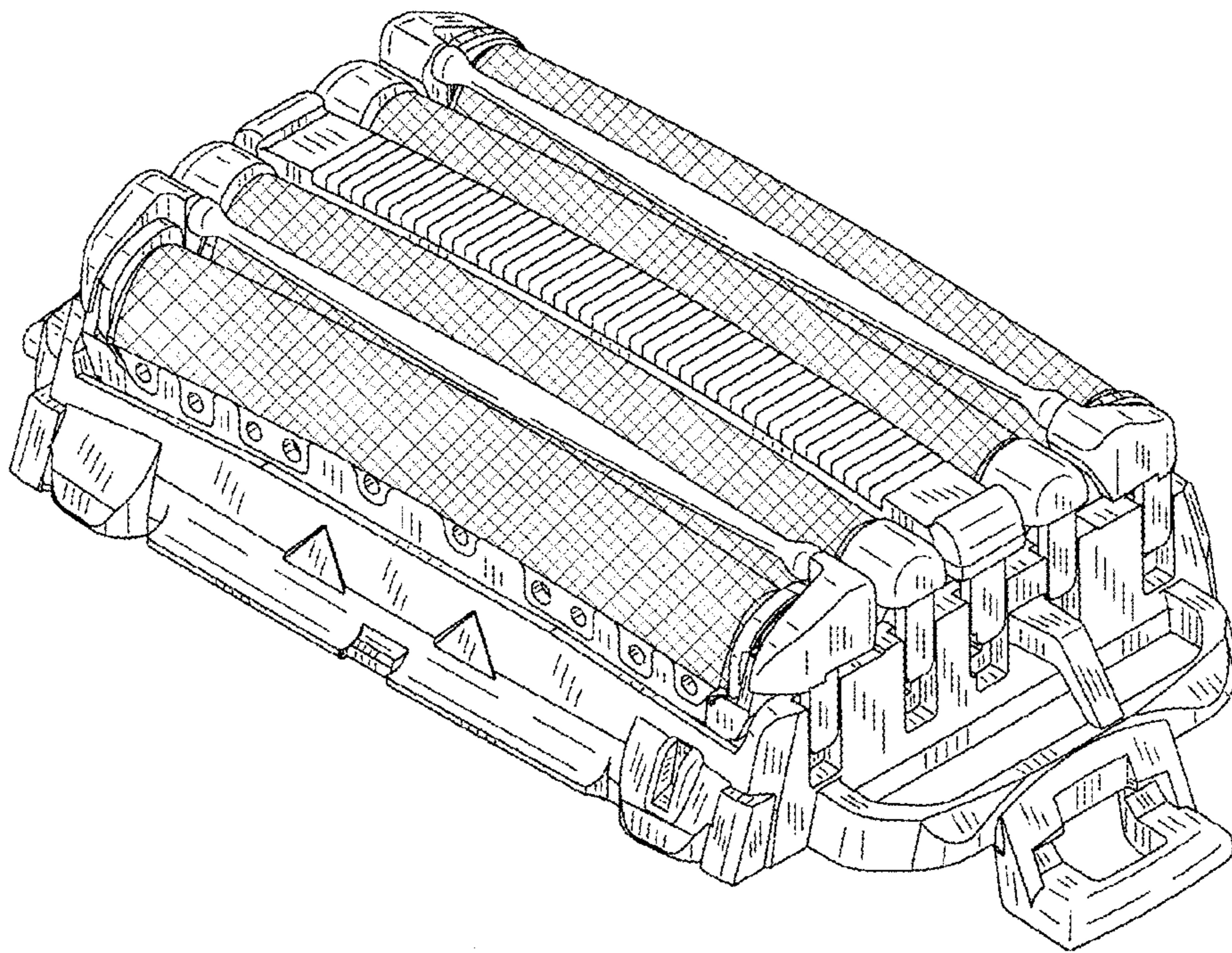


FIG.2

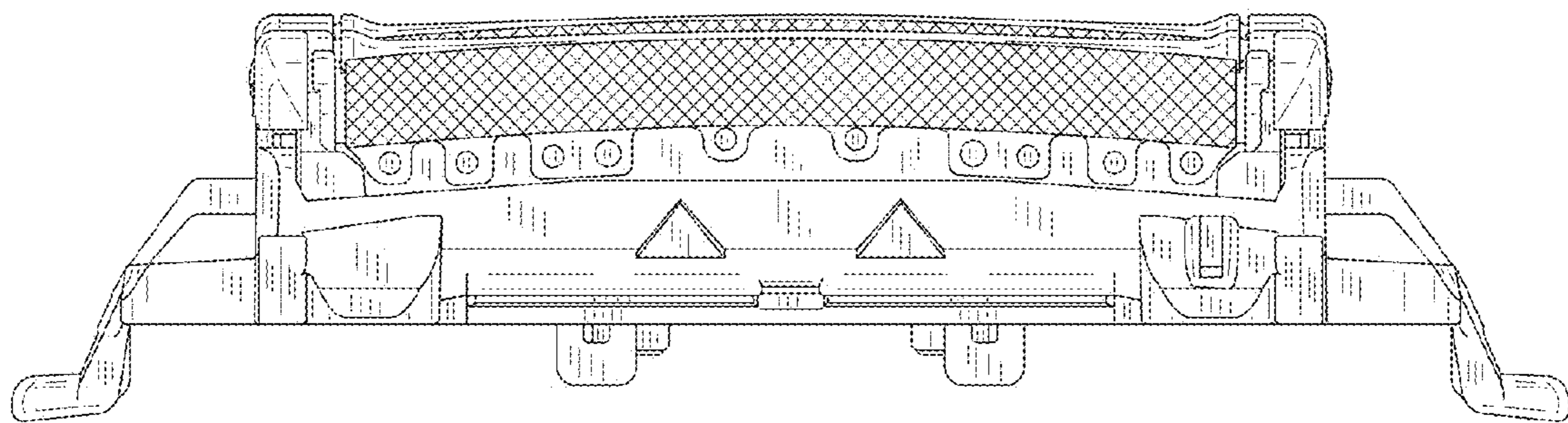


FIG.3

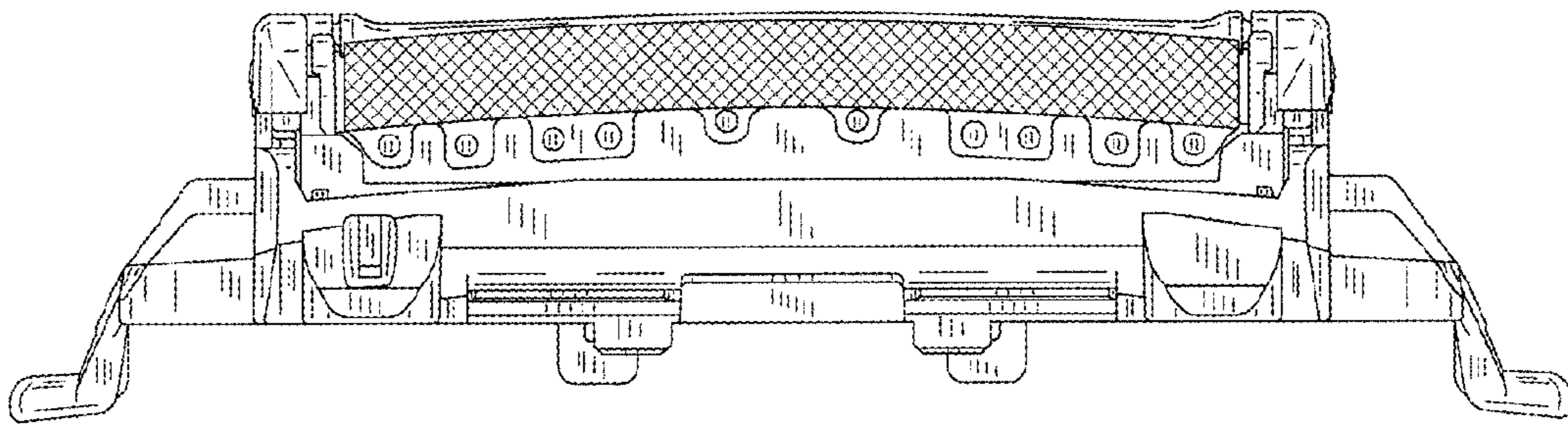


FIG.4

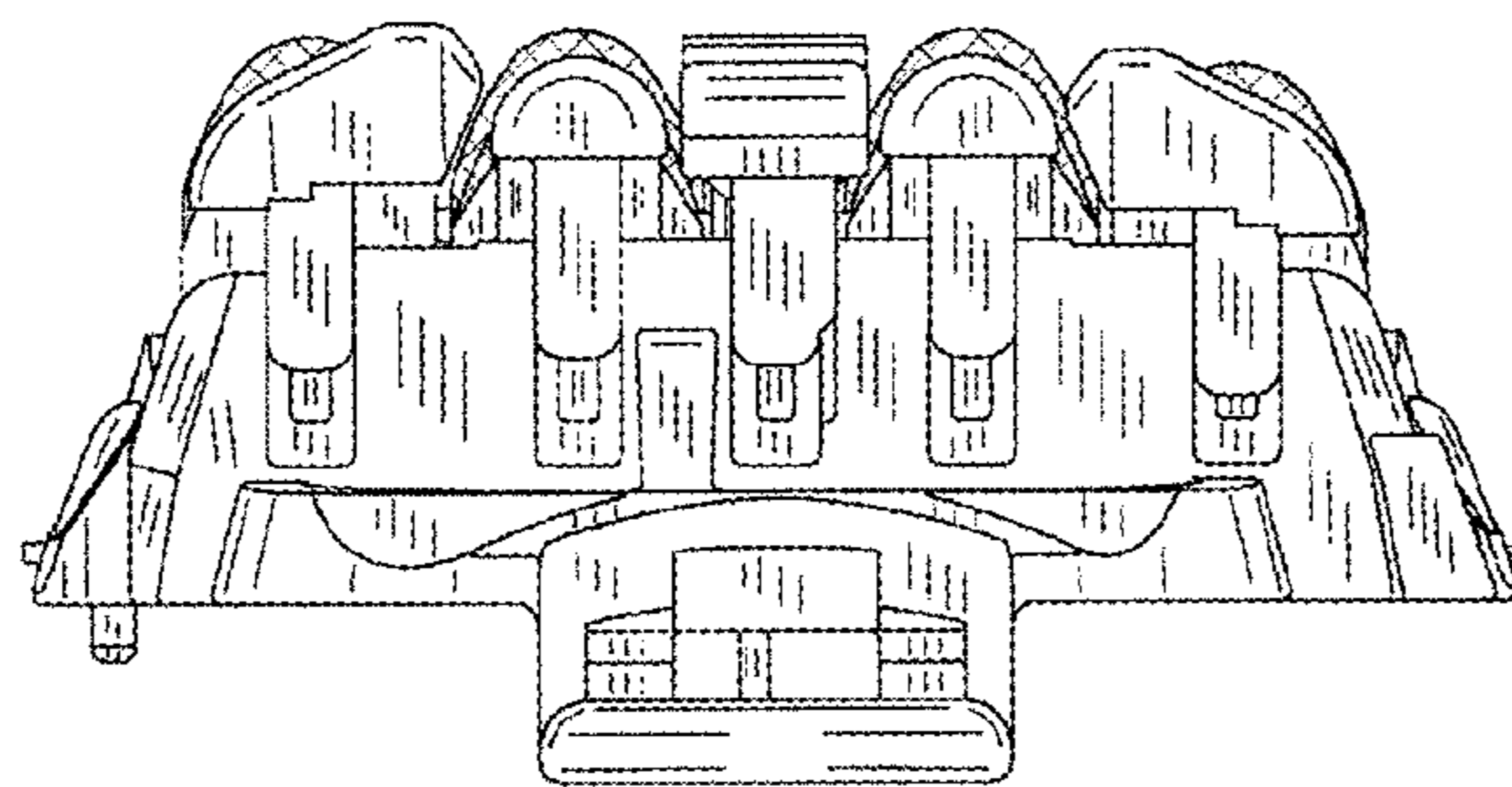


FIG.5

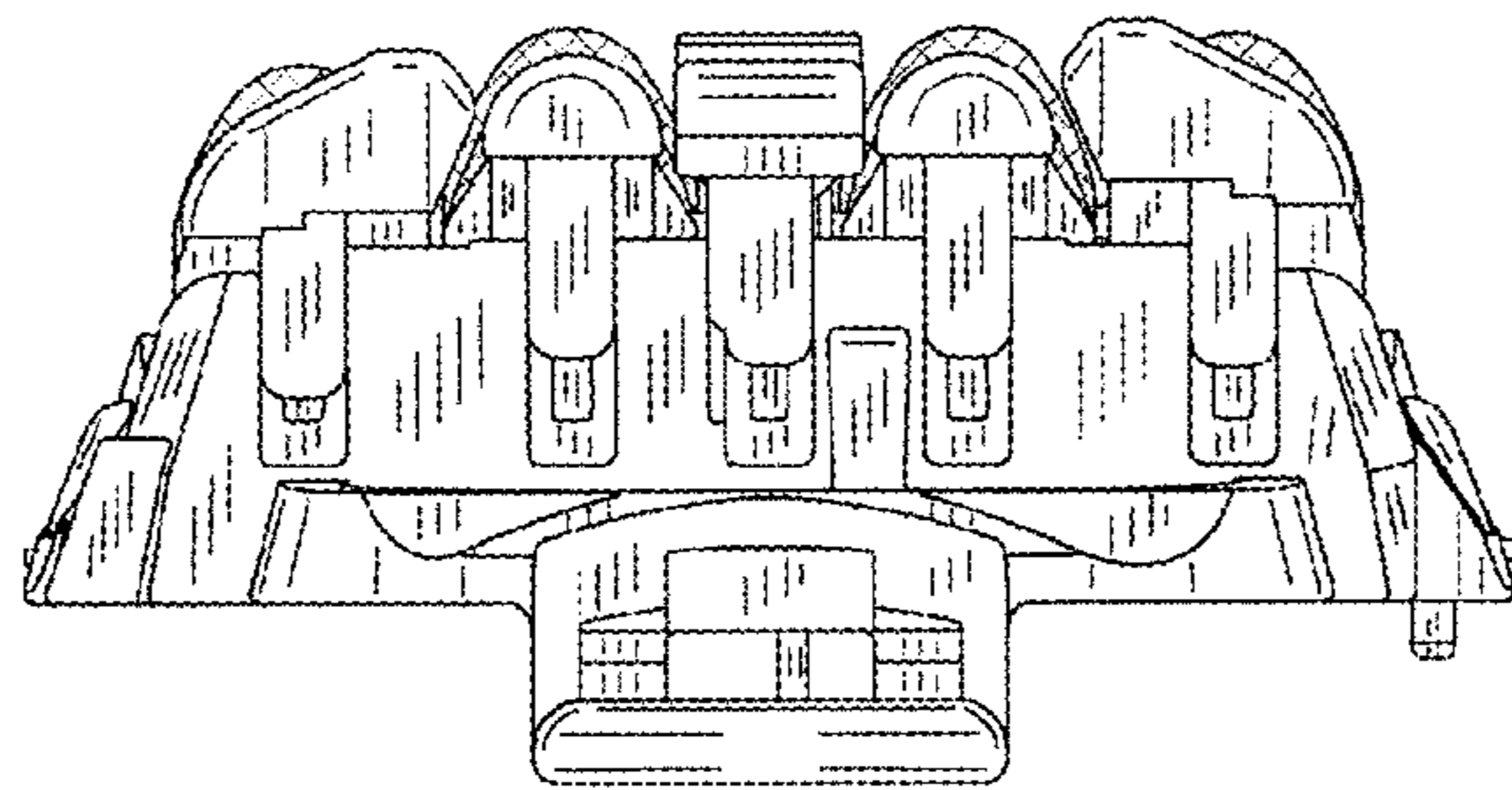


FIG.6

