



US00D758013S

(12) **United States Design Patent**
Bermudez et al.

(10) **Patent No.:** **US D758,013 S**
(45) **Date of Patent:** **** May 31, 2016**

(54) **HAIR STRAIGHTENER**

(71) Applicant: **Schawbel Technologies LLC**, Bedford, MA (US)

(72) Inventors: **Omar Bermudez**, Bedford, MA (US);
Brendan Crawford, Bedford, MA (US);
Steffen Koury, Bedford, MA (US);
James McGee, Bedford, MA (US)

(73) Assignee: **SCHAWBEL TECHNOLOGIES LLC**, Burlington, MA (US)

(**) Term: **14 Years**

(21) Appl. No.: **29/526,392**

(22) Filed: **May 8, 2015**

(51) **LOC (10) Cl.** **28-03**

(52) **U.S. Cl.**
USPC **D28/35**

(58) **Field of Classification Search**
USPC D28/35, 37-38
CPC A45D 1/00-1/28; A45D 2/00-2/001;
A45D 2002/006; A45D 2002/007; A45D
2/12-2/125; A45D 2/04; A45D 2/06; A45D
2/38; A45D 2/40; A45D 4/00-4/18; A45D
6/00-6/20; A45D 20/48-20/525
See application file for complete search history.

(56) **References Cited**

U.S. PATENT DOCUMENTS

4,699,123 A 10/1987 Zaborowski
D300,606 S 4/1989 Schwabel et al.
D351,337 S 10/1994 Bonnema et al.
5,522,722 A 6/1996 Diederich
D389,953 S * 1/1998 Seifert D28/35

(Continued)

FOREIGN PATENT DOCUMENTS

GB 1820247 B1 * 5/2015 A45D 1/04
KR 100539710 B1 * 12/2005

Primary Examiner — Jennifer Rivard

(74) *Attorney, Agent, or Firm* — Brown Rudnick LLP

(57) **CLAIM**

The ornamental design for a hair straightener, as shown and described.

DESCRIPTION

FIG. 1 illustrates a top front perspective view of an embodiment of a hair straightener employing an ornamental design in accordance with the present invention and in a closed configuration;

FIG. 2 illustrates a front view of the hair straightener of FIG. 1;

FIG. 3 illustrates a back view of the hair straightener of FIG. 1;

FIG. 4 illustrates a right side view the hair straightener of FIG. 1;

FIG. 5 illustrates a left side view of the hair straightener of FIG. 1;

FIG. 6 illustrates a top view of the hair straightener of FIG. 1;

FIG. 7 illustrates a bottom view of the hair straightener of FIG. 1;

FIG. 8 illustrates a top front perspective view of the hair straightener of FIG. 1 in an open configuration;

FIG. 9 illustrates a front view of the hair straightener of FIG. 8;

FIG. 10 illustrates a back view of the hair straightener of FIG. 8;

FIG. 11 illustrates a right side view the hair straightener of FIG. 8;

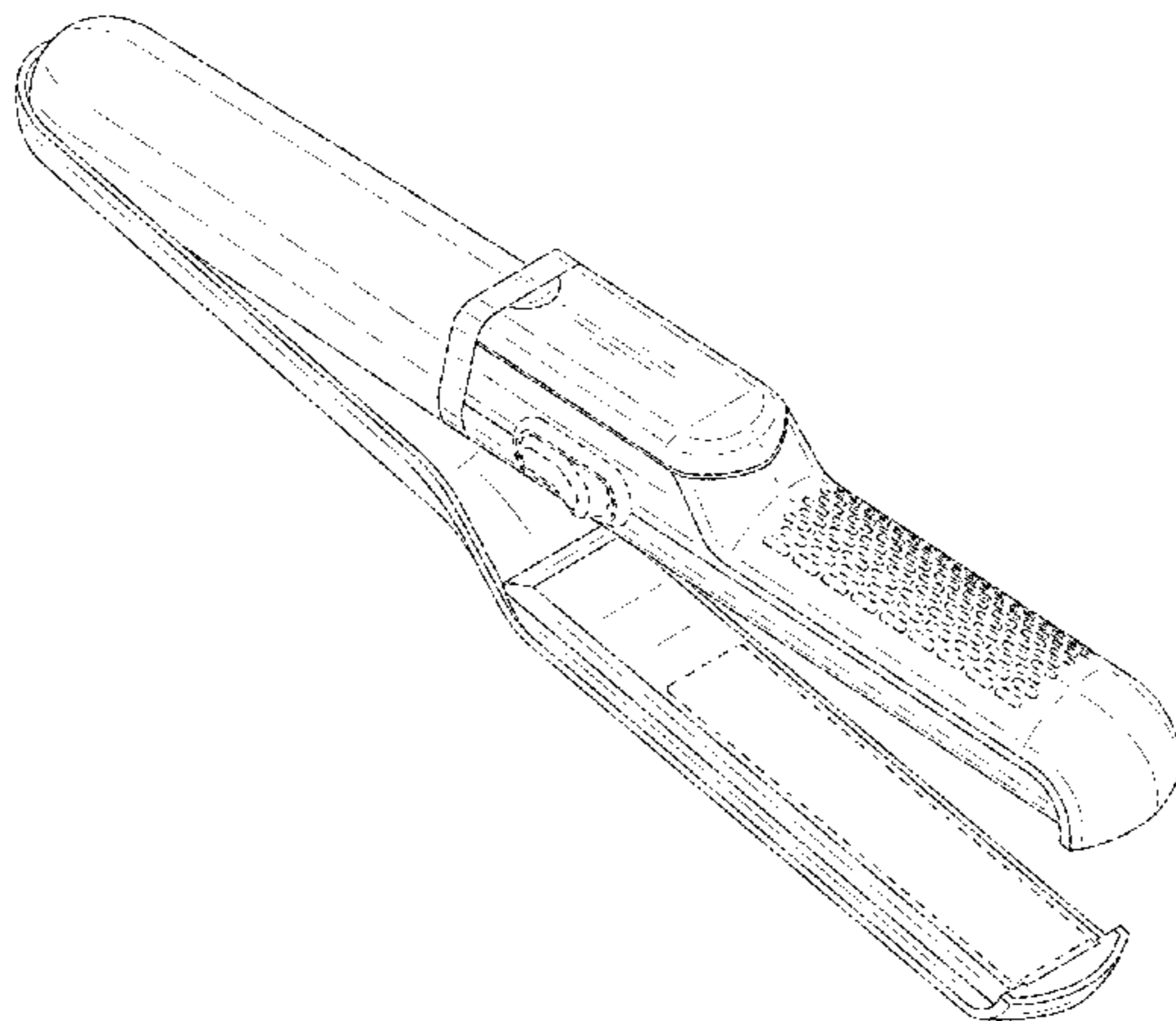
FIG. 12 illustrates a left side view of the hair straightener of FIG. 8;

FIG. 13 illustrates a top view of the hair straightener of FIG. 8; and,

FIG. 14 illustrates a bottom view of the hair straightener of FIG. 8.

The broken lines are included for the purpose of illustrating portions of the hair straightener and form no part of the claimed design.

1 Claim, 14 Drawing Sheets



(56)

References Cited

U.S. PATENT DOCUMENTS

D391,019 S *	2/1998	Seifert	D28/35	D534,308 S *	12/2006	Vu	D28/35
5,857,262 A	1/1999	Bonnema et al.		D598,163 S *	8/2009	Overend	D28/35
5,944,508 A	8/1999	Bonnema		D598,164 S *	8/2009	Overend	D28/35
6,033,212 A	3/2000	Bonnema et al.		7,879,501 B2	2/2011	Schaevitz et al.	
6,176,596 B1	1/2001	Shukla et al.		8,273,485 B2	9/2012	Schaevitz et al.	
6,235,983 B1	5/2001	Becker et al.		8,389,909 B2	3/2013	Wang et al.	
6,733,282 B2	5/2004	Long		2004/0244810 A1 *	12/2004	Henninger	A45D 1/02 132/228
D534,307 S *	12/2006	Vu	D28/35	2015/0335121 A1 *	11/2015	Floessholzer	A45D 1/04 132/269

* cited by examiner

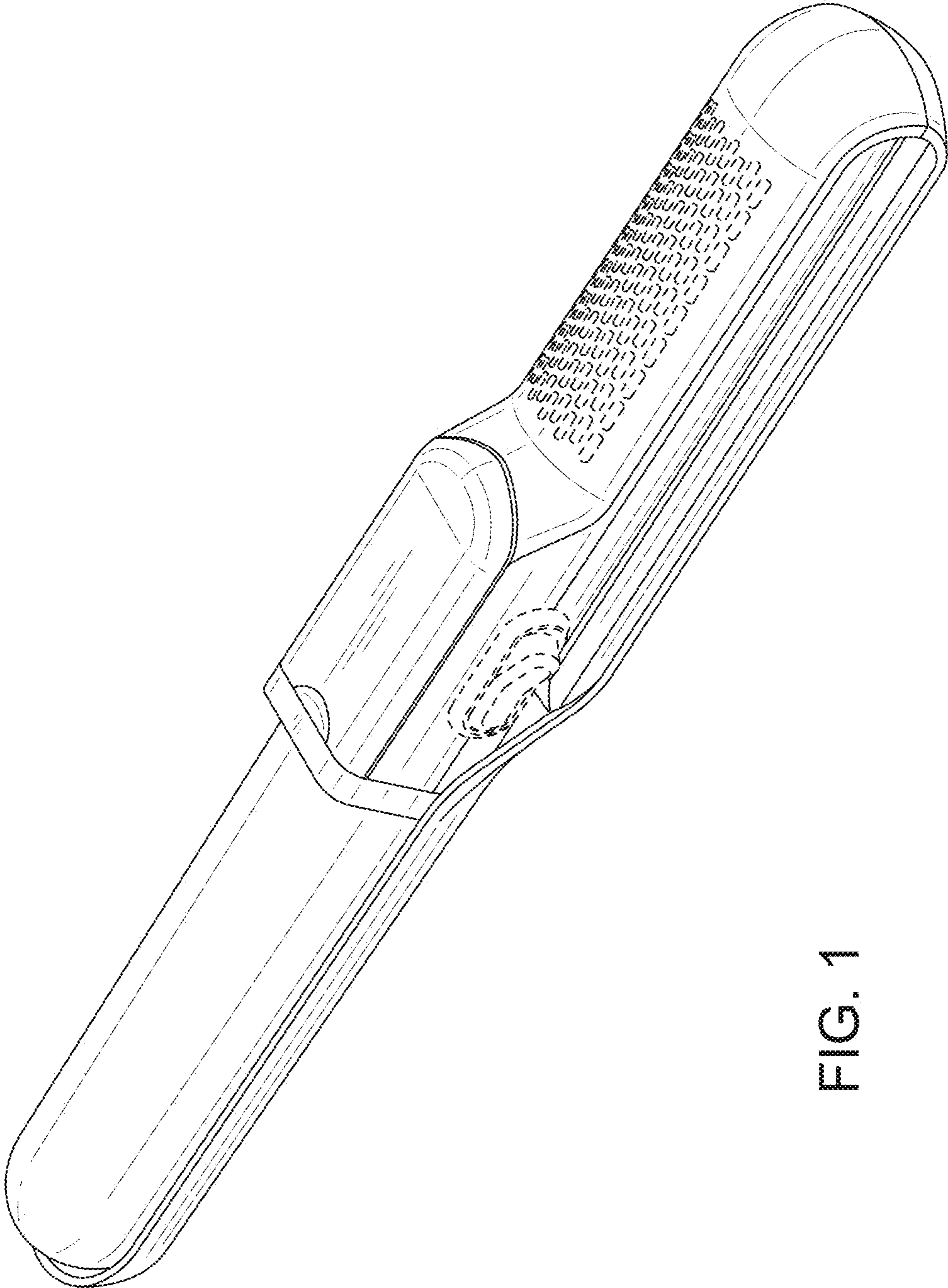


FIG. 1

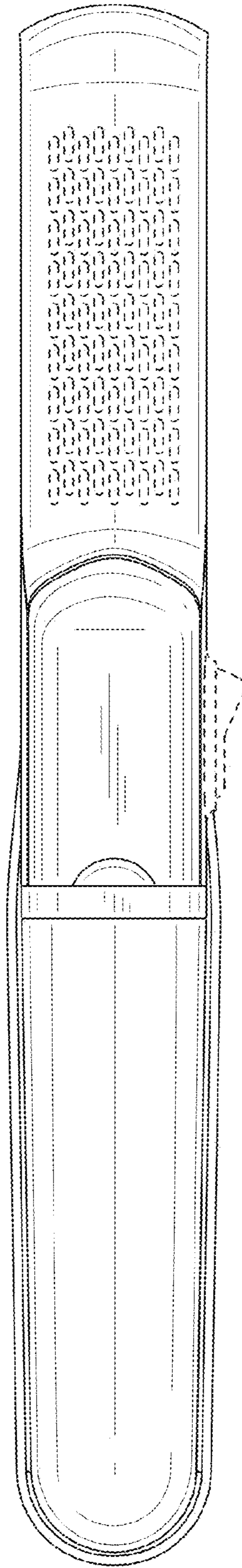


FIG. 2

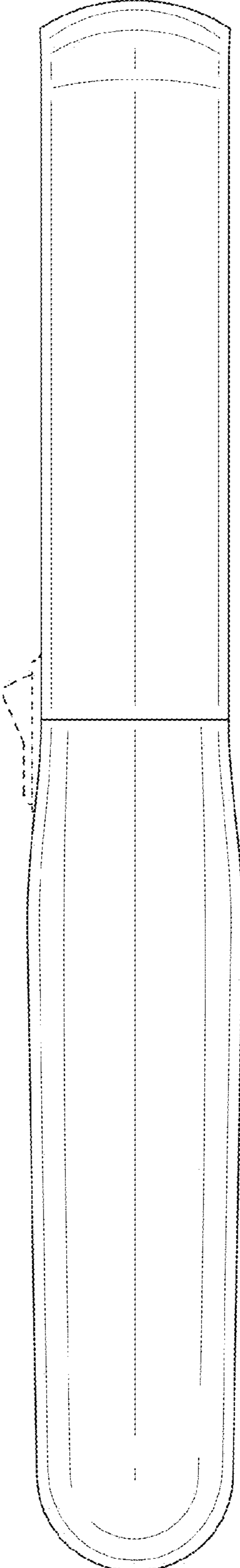


FIG. 3

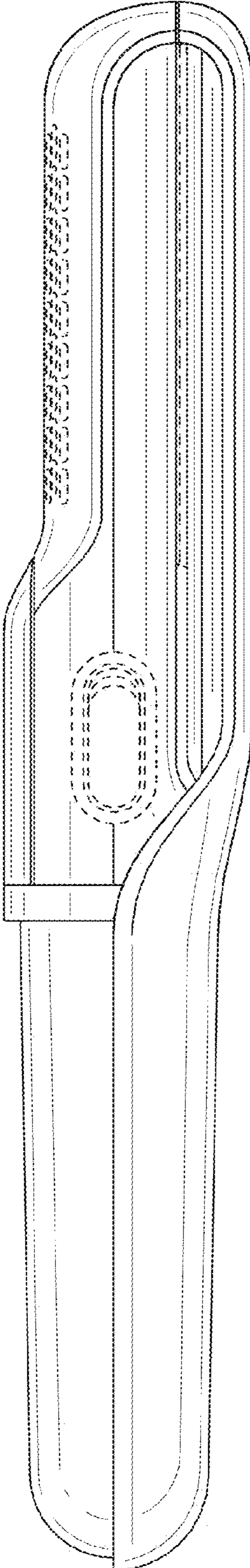


FIG. 4

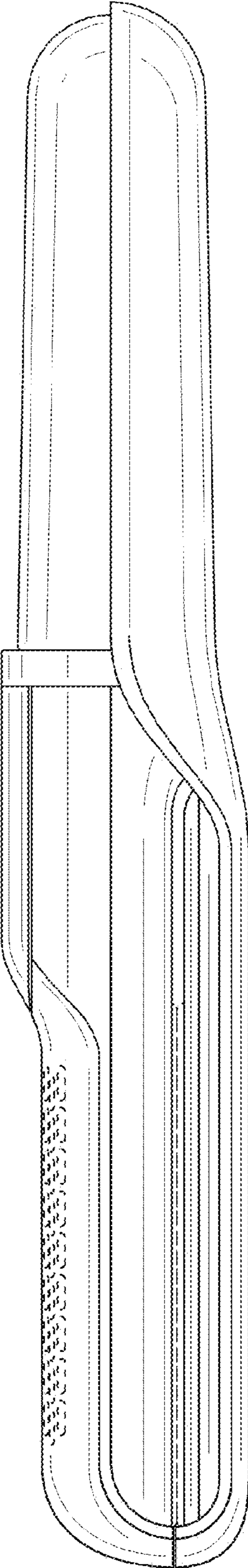


FIG. 5

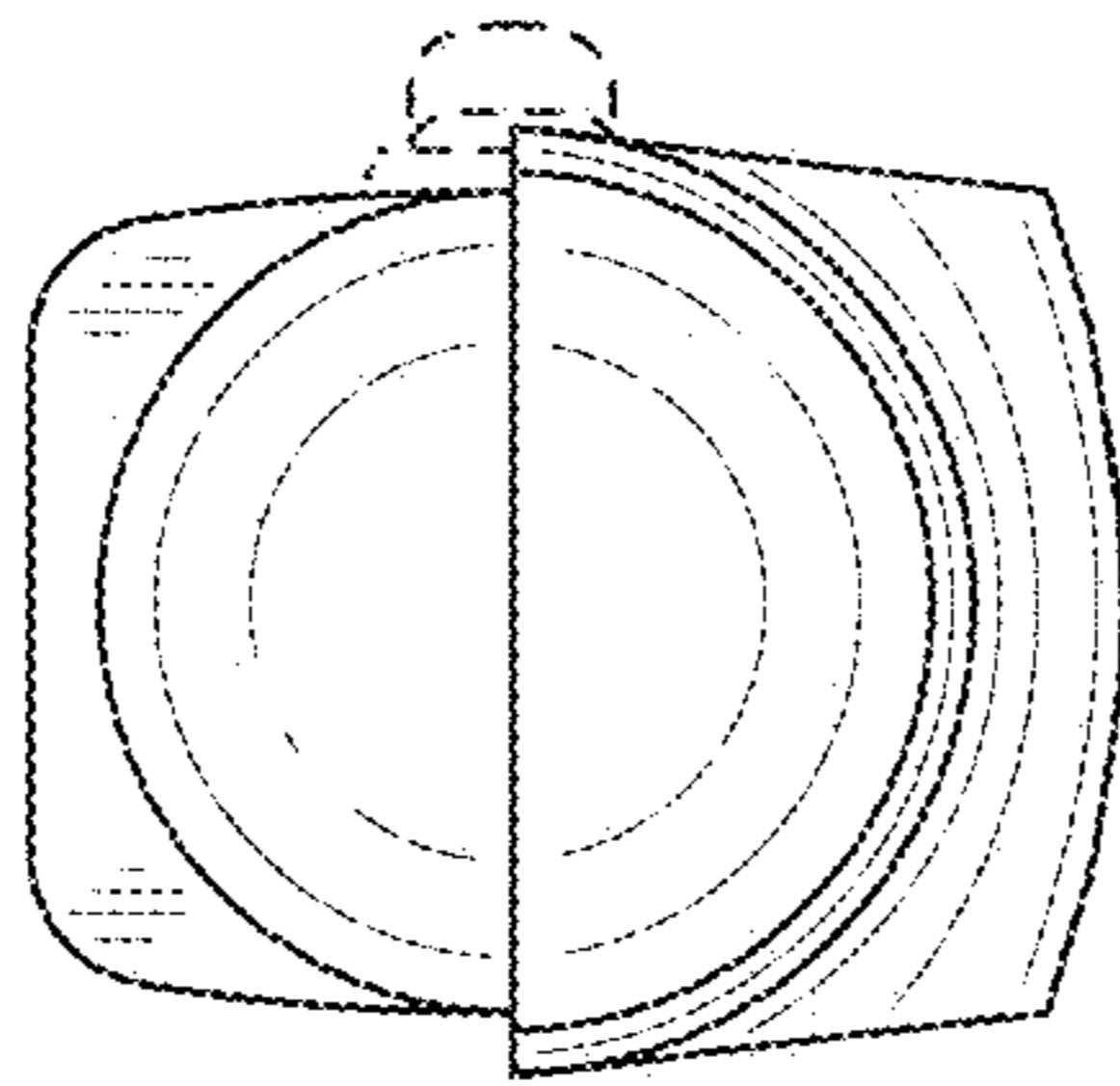


FIG. 6

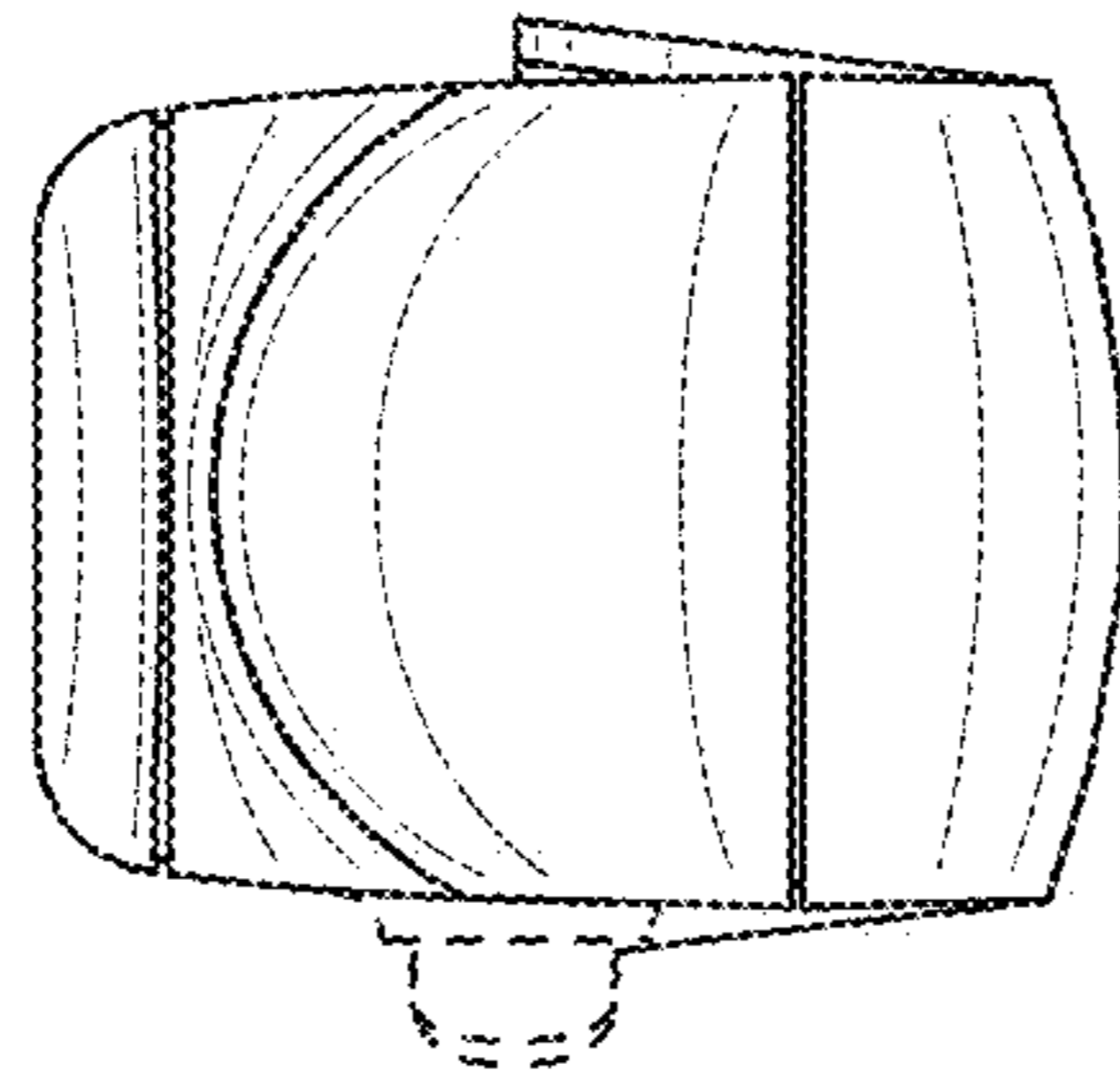


FIG. 7

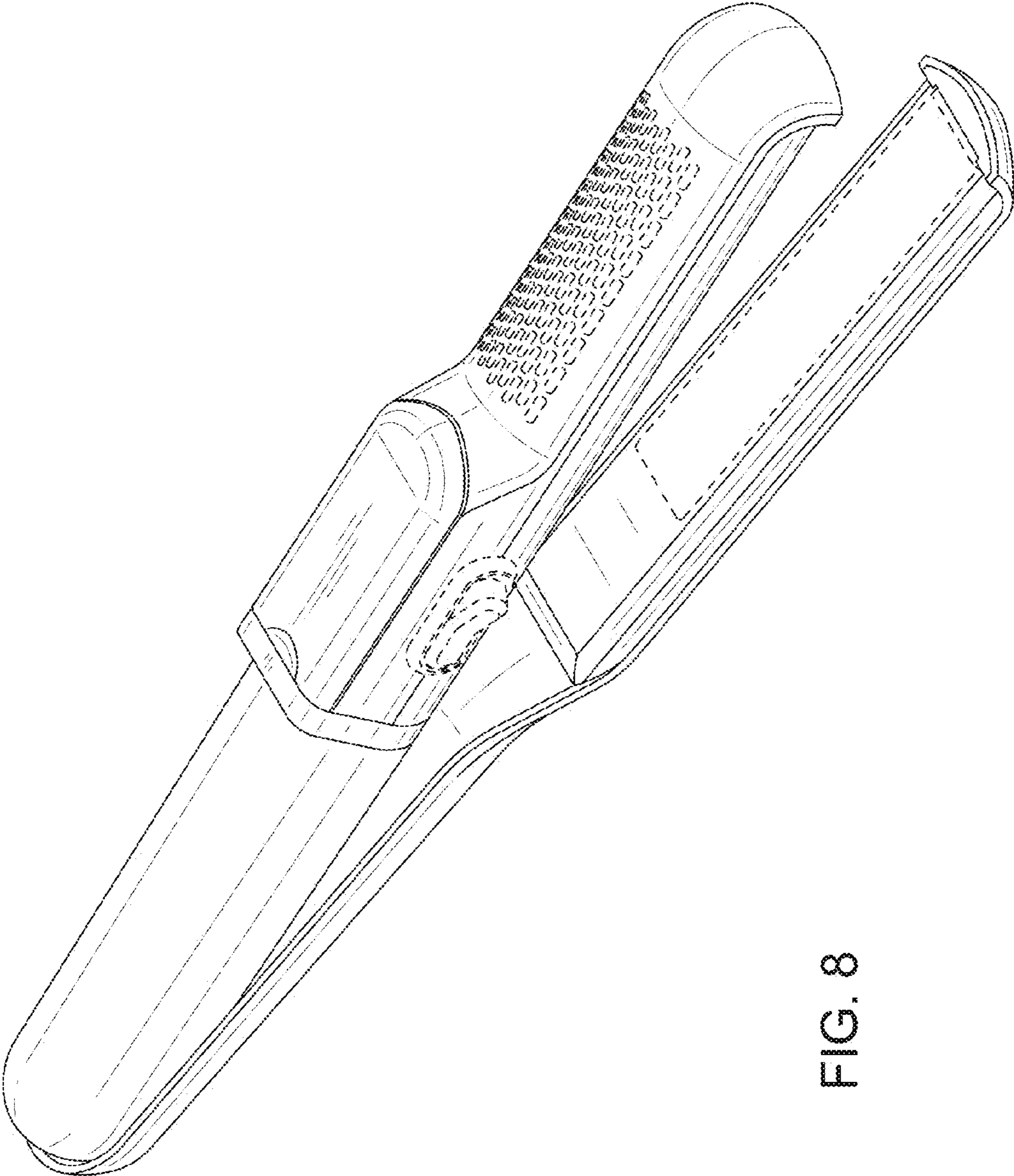


FIG. 8

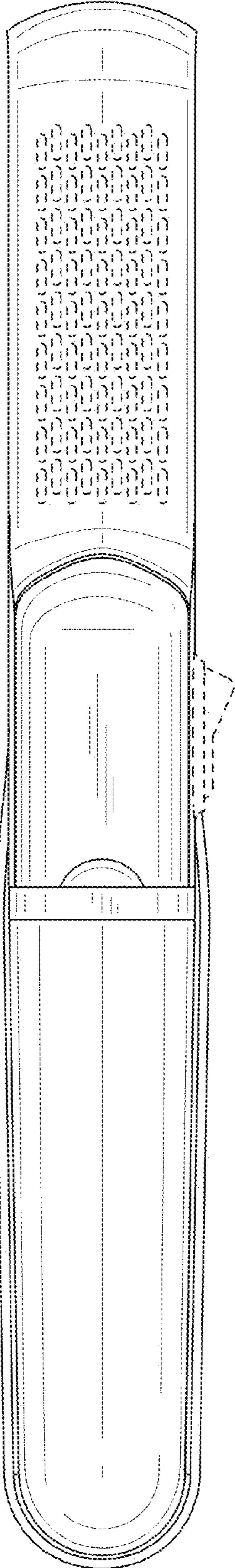


FIG. 9

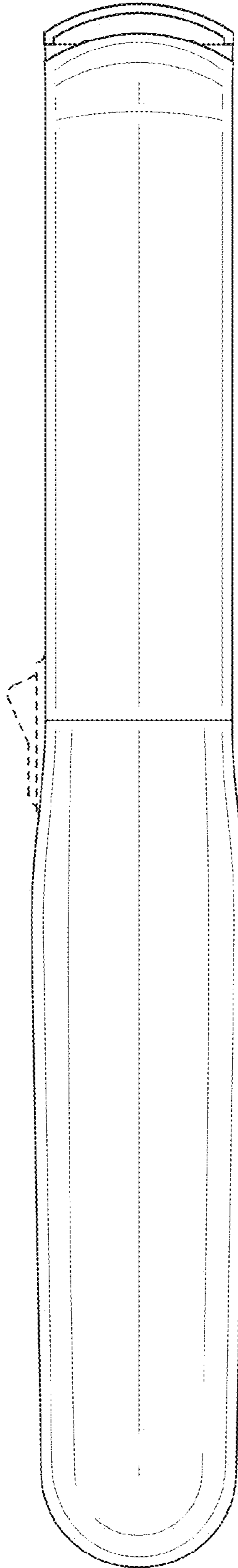


FIG. 10

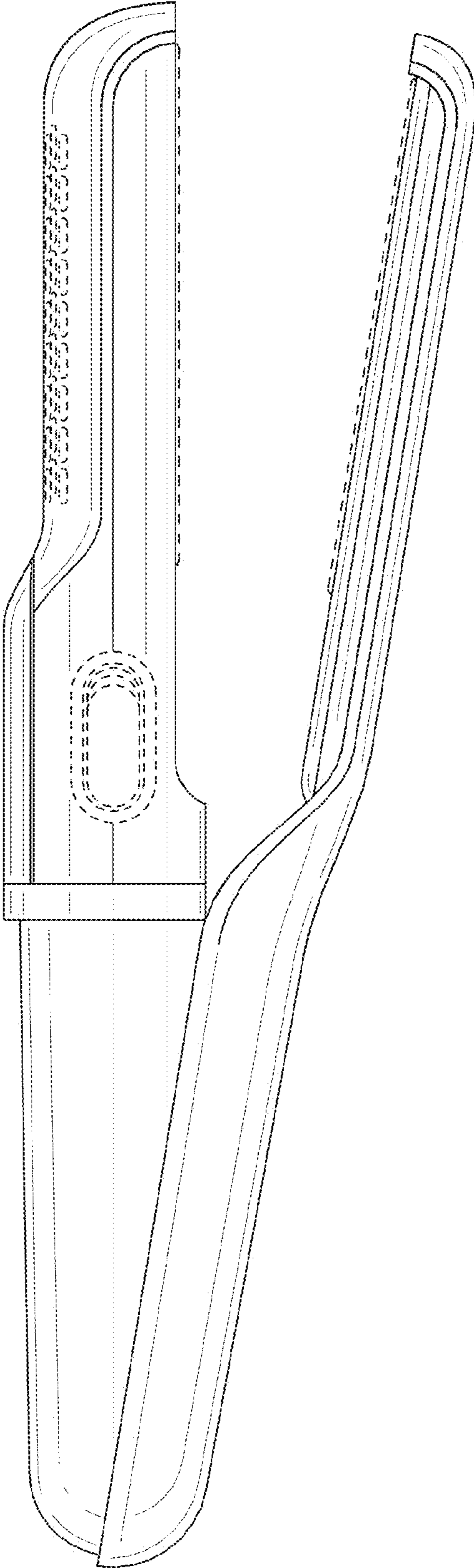


FIG. 11

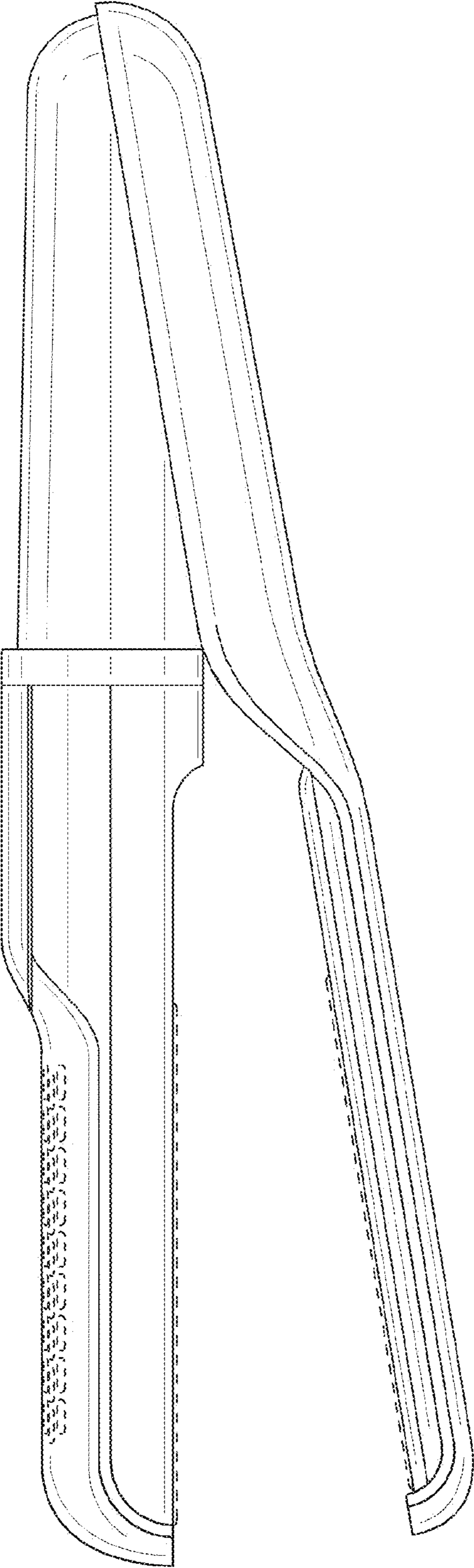


FIG. 12

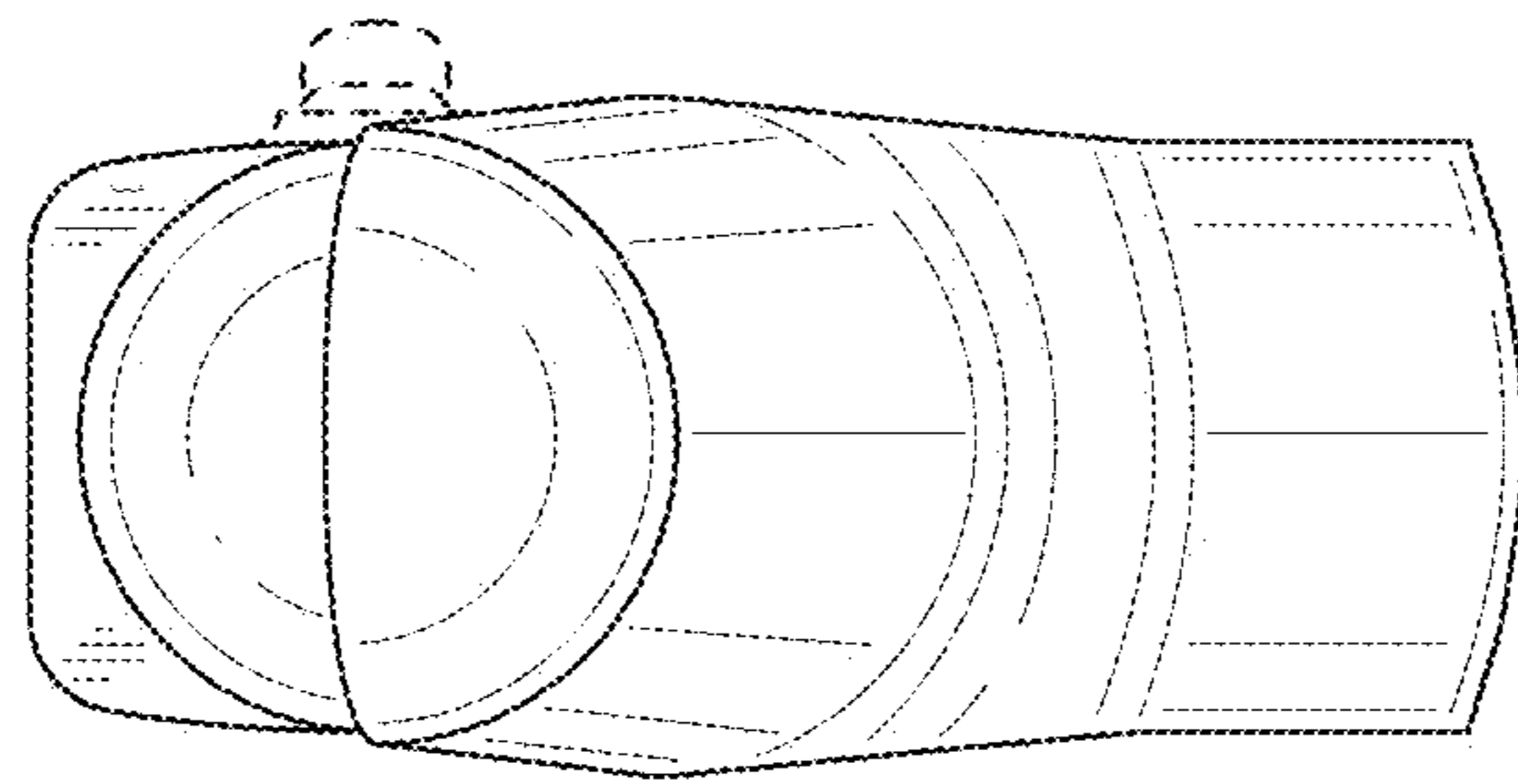


FIG. 13

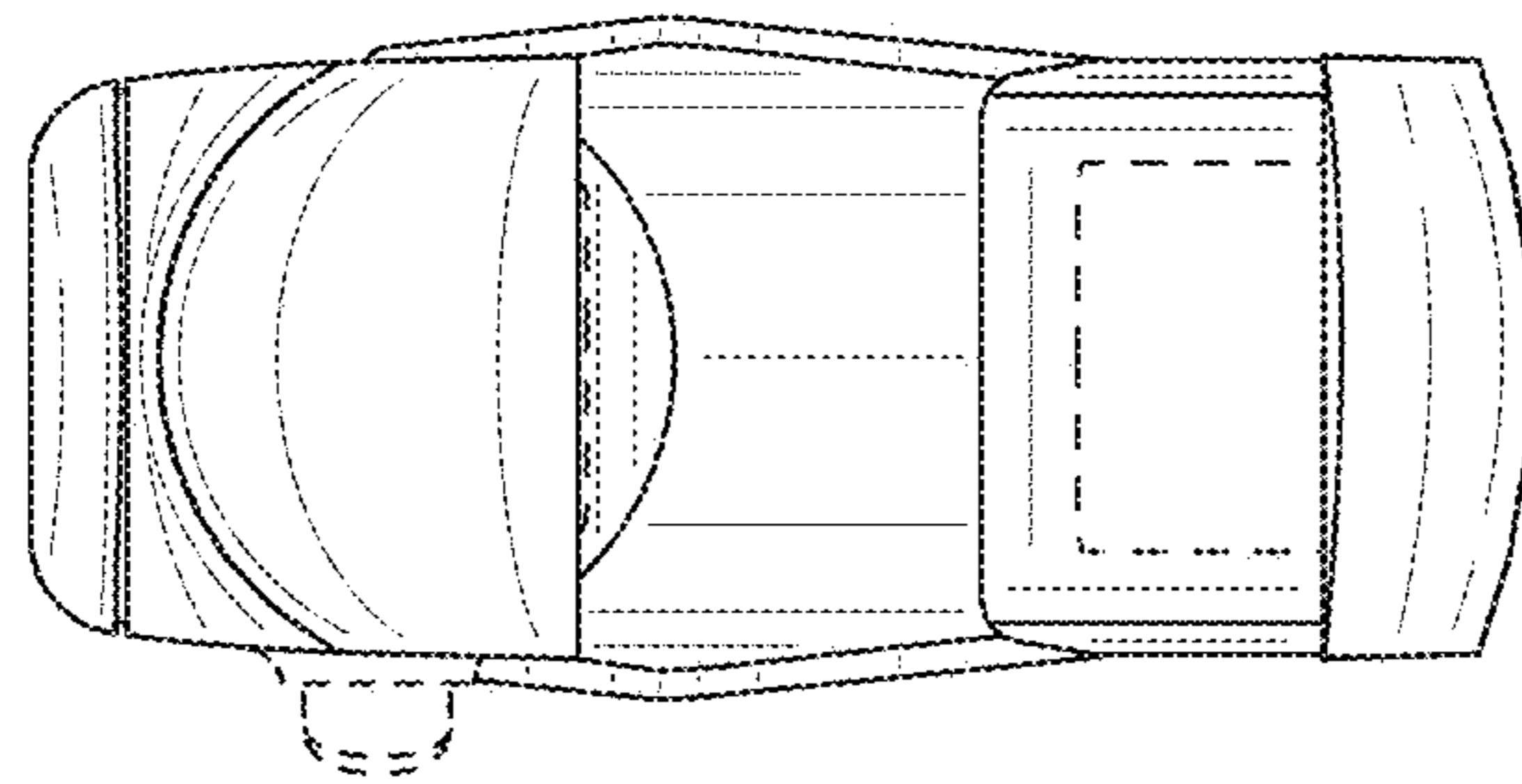


FIG. 14