



US00D758006S

(12) **United States Design Patent**  
**Shukla**

(10) **Patent No.:** **US D758,006 S**

(45) **Date of Patent:** **\*\* May 31, 2016**

(54) **CIGAR CUTTER**

(71) Applicant: **Dhaval K. Shukla**, Lexington, KY (US)

(72) Inventor: **Dhaval K. Shukla**, Lexington, KY (US)

(\*\*) Term: **14 Years**

(21) Appl. No.: **29/500,545**

(22) Filed: **Aug. 26, 2014**

(51) **LOC (10) Cl.** ..... **27-99**

(52) **U.S. Cl.**  
USPC ..... **D27/195**

(58) **Field of Classification Search**  
USPC ..... D27/195; 30/112, 113, 111; 131/248,  
131/253, 255; D21/684; D8/51, 52, 57, 60  
CPC ..... A24F 13/24; A24F 13/26; A24F 13/00  
See application file for complete search history.

(56) **References Cited**

**U.S. PATENT DOCUMENTS**

D159,305 S *	7/1950	Tuttle et al.	.....	D8/57
D546,000 S *	7/2007	Kan	.....	D27/195
D577,151 S *	9/2008	Smith	.....	D27/143
D591,367 S *	4/2009	Harris	.....	D21/684
D605,351 S *	12/2009	Smith	.....	D27/195
2004/0117988 A1 *	6/2004	Kuzuu	.....	A45D 29/02 30/28

2007/0089299 A1 *	4/2007	Belaubre	.....	A24F 13/26 30/112
2014/0082945 A1 *	3/2014	Lance	.....	A24F 13/24 30/112
2015/0000140 A1 *	1/2015	Lance	.....	A24F 13/24 30/112

\* cited by examiner

*Primary Examiner* — Rosemary K Tarcza

*Assistant Examiner* — Yolanda Robinson

(74) *Attorney, Agent, or Firm* — King & Schickli, PLLC

(57) **CLAIM**

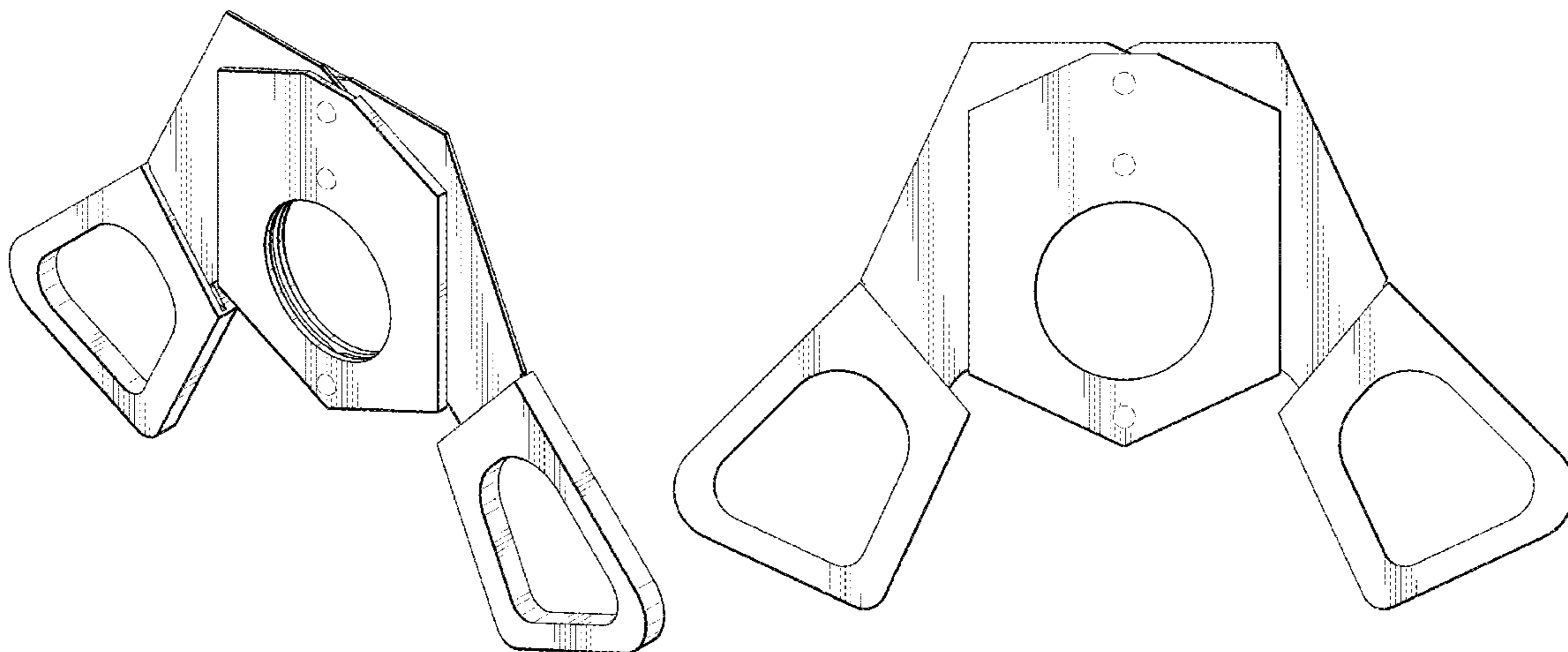
The ornamental design for a cigar cutter, as shown and described.

**DESCRIPTION**

FIG. 1 is a front perspective view of the invention, shown in an expanded condition;  
FIG. 2 is a rear perspective view;  
FIG. 3 is a front view of the invention;  
FIG. 4 is left side view of the invention;  
FIG. 5 is a rear view of the invention;  
FIG. 6 is a right side view of the invention;  
FIG. 7 is a top view of the invention;  
FIG. 8 is a bottom view of the invention; and,  
FIG. 9 is a front view of the invention, shown in the retracted condition.

The broken lines shown in the drawings are included for the purpose of illustrating environmental structure and form no part of the claimed design.

**1 Claim, 4 Drawing Sheets**



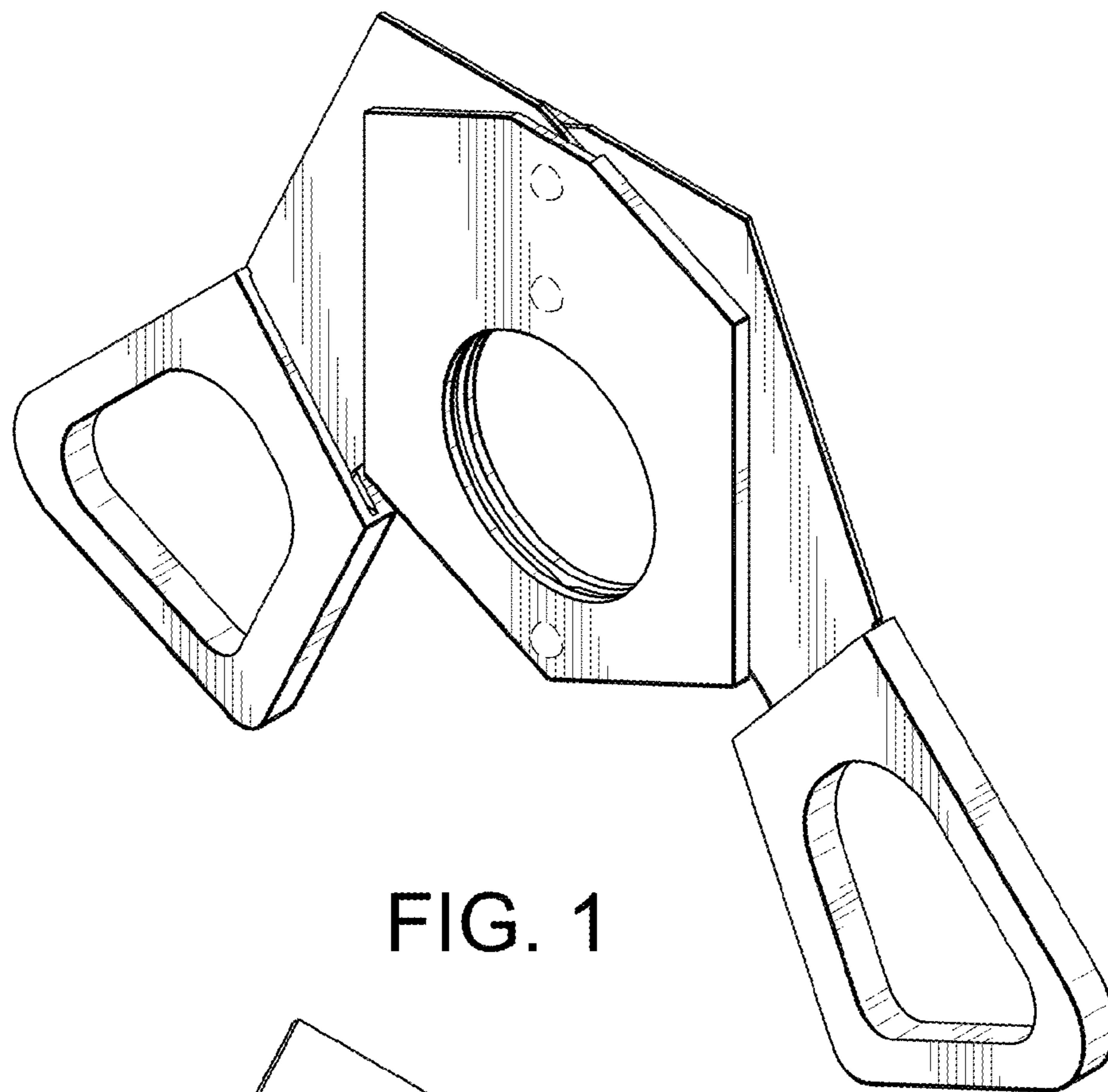


FIG. 1

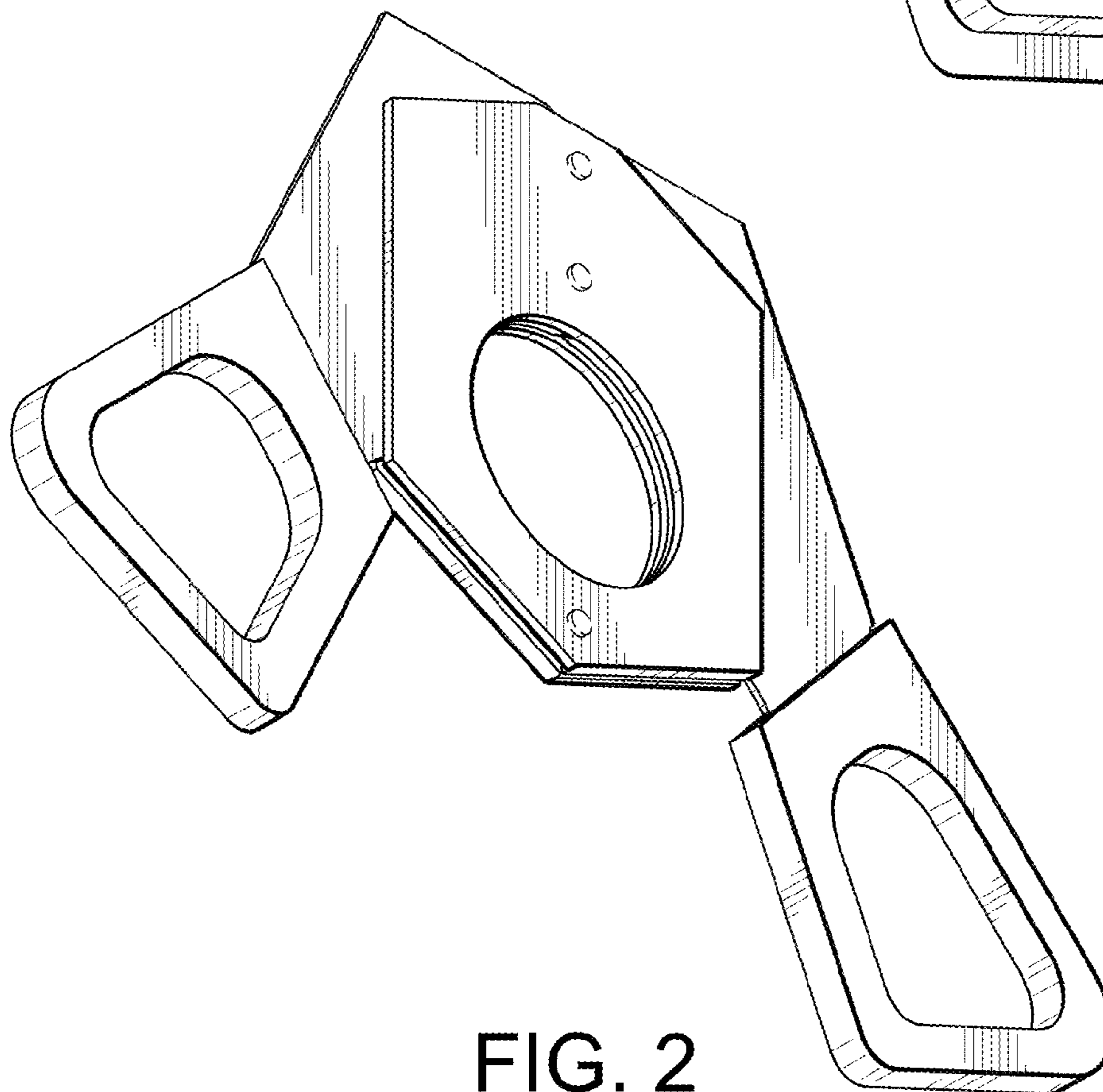


FIG. 2

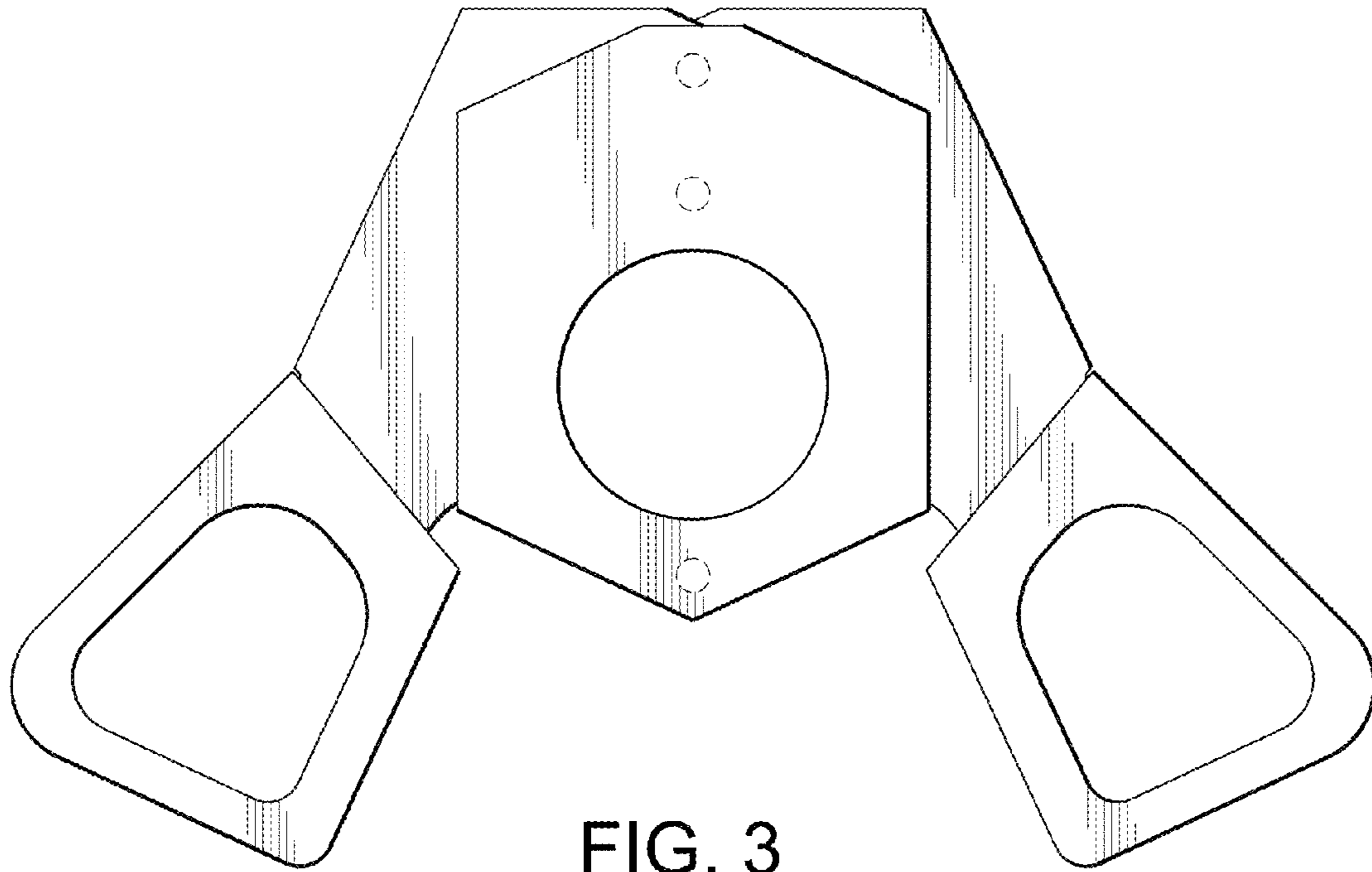


FIG. 3

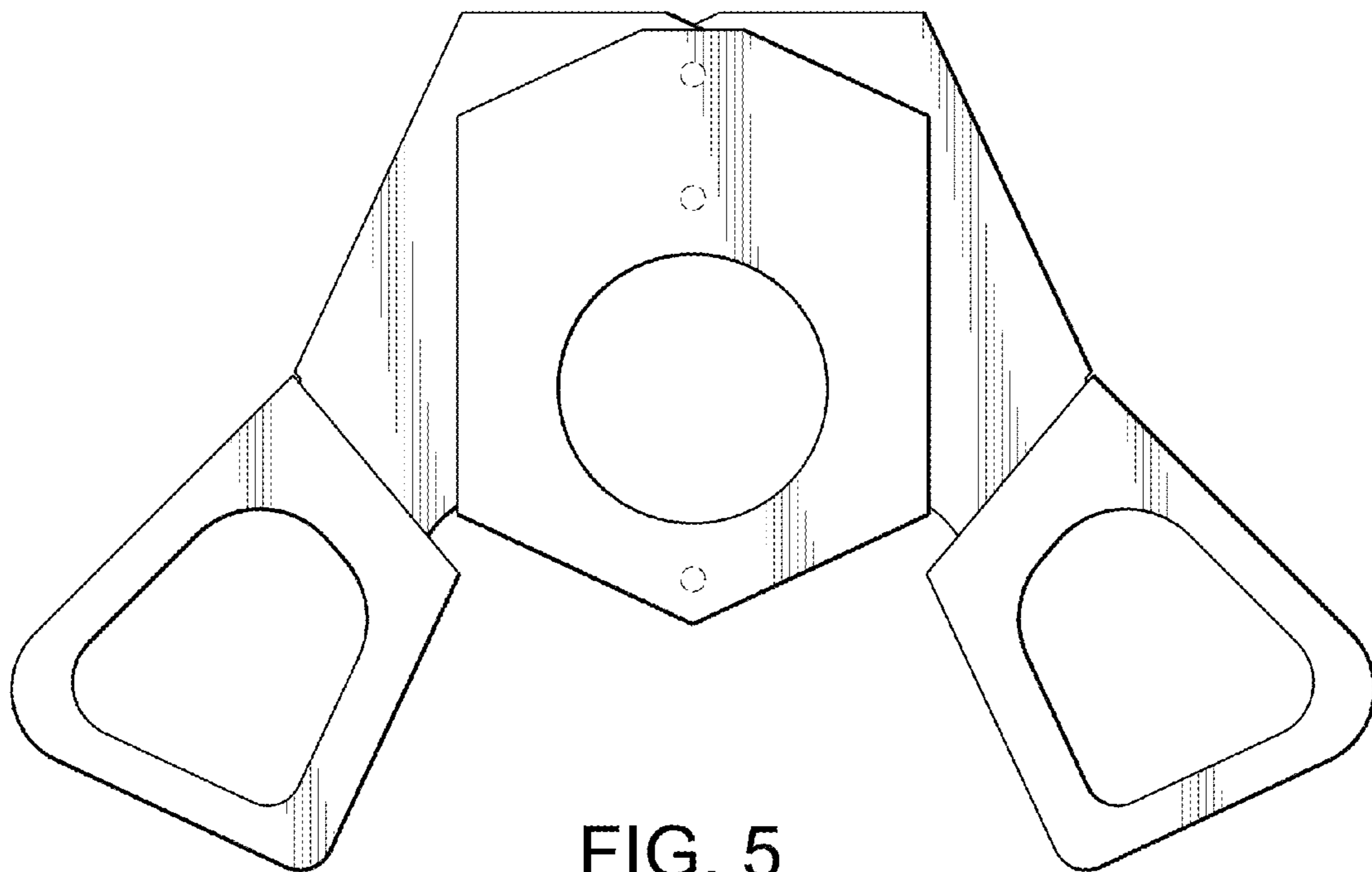


FIG. 5

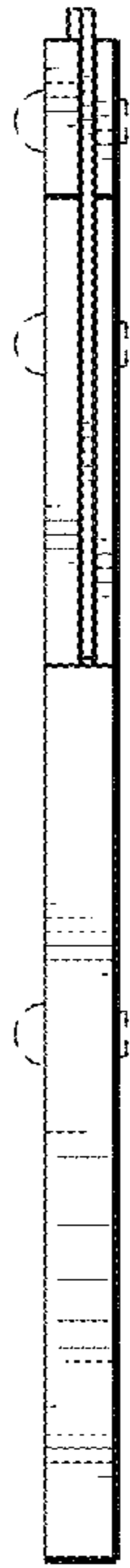


FIG. 4

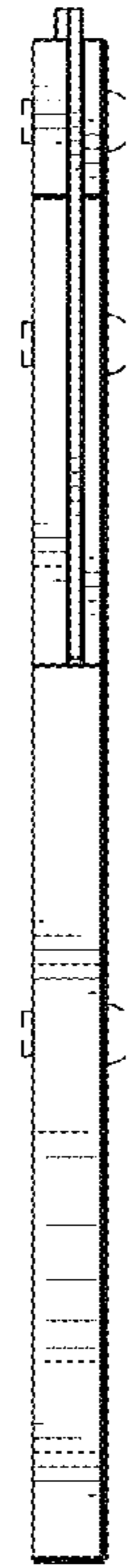


FIG. 6

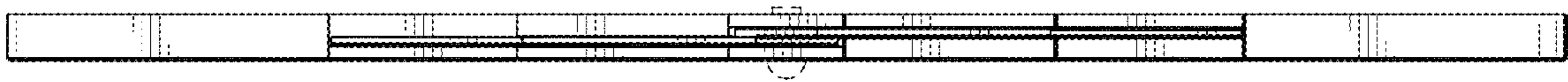


FIG. 7



FIG. 8

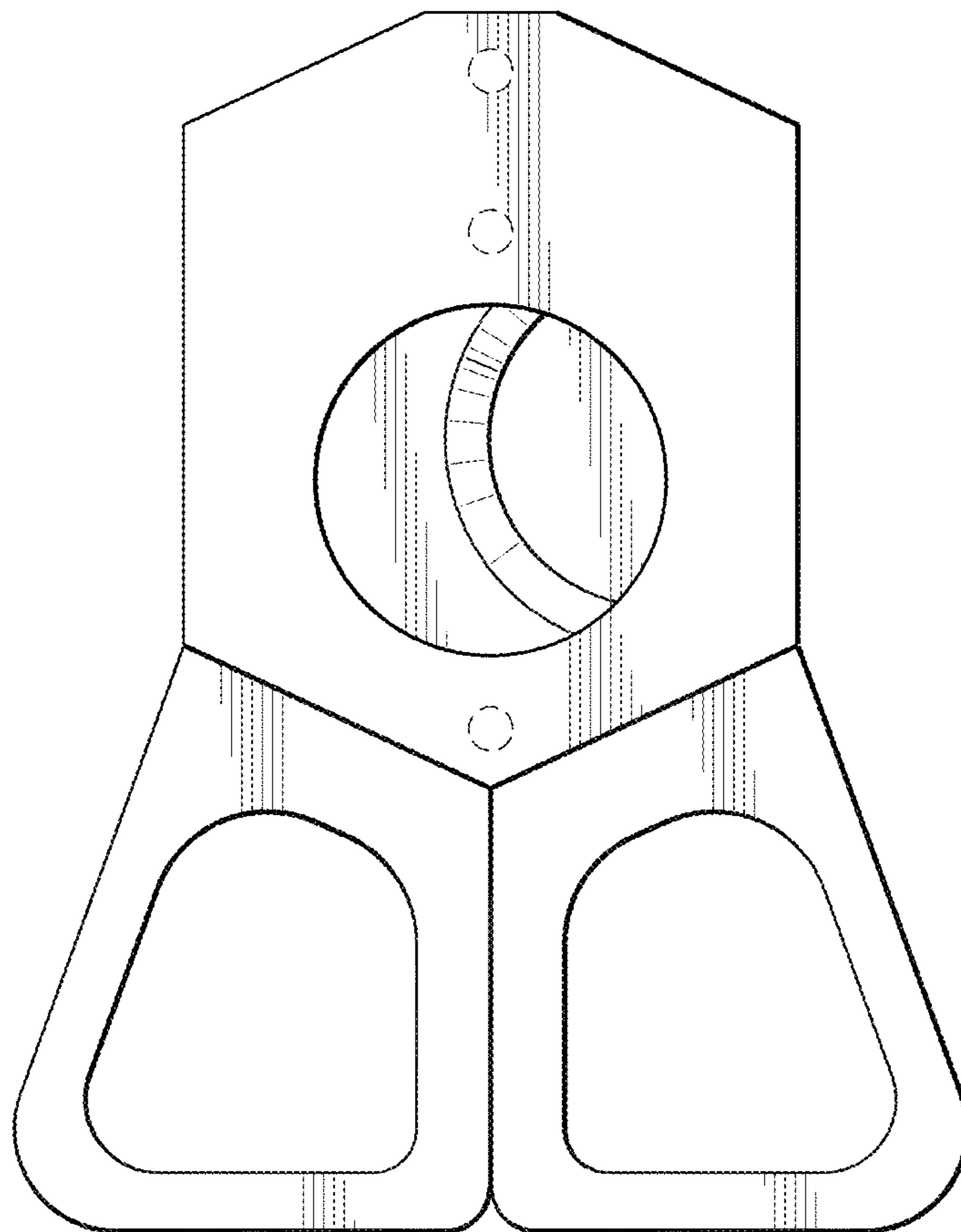


FIG. 9