



US00D758004S

(12) **United States Design Patent**  
**Freshwater et al.**

(10) **Patent No.:** **US D758,004 S**

(45) **Date of Patent:** **\*\* May 31, 2016**

(54) **HAND-HELD AEROSOL FORMING DEVICE**

(71) Applicant: **R.J. REYNOLDS TOBACCO COMPANY**, Winston-Salem, NC (US)

(72) Inventors: **Keith Freshwater**, Bedford (GB); **Benjamin Siôn Mainwaring**, London (GB); **James Demopoulos**, Winston-Salem, NC (US); **Bruce Alan Bengtsson**, Winston-Salem, NC (US); **Frederic Philippe Ampolini**, Winston-Salem, NC (US); **Steven L. Worm**, Raleigh, NC (US); **Michael Edward Laut**, Raleigh, NC (US)

(73) Assignee: **RAI Strategic Holdings, Inc.**, Winston-Salem, NC (US)

(\*\*) Term: **14 Years**

(21) Appl. No.: **29/526,353**

(22) Filed: **May 8, 2015**

(51) **LOC (10) Cl.** ..... **27-02**

(52) **U.S. Cl.**  
USPC ..... **D27/163**

(58) **Field of Classification Search**  
USPC ..... D27/101, 163, 167, 183, 184, 186-191;  
D14/191, 243, 198, 257; D10/40, 49,  
D10/50, 97; D24/110, 113; D23/360, 363,  
D23/366  
CPC ..... A24F 47/00; A24F 47/002; A24F 47/004;  
A24F 47/006; A24F 47/008  
See application file for complete search history.

(56) **References Cited**

**U.S. PATENT DOCUMENTS**

D371,633 S \* 7/1996 Chenard ..... D27/163  
D399,600 S \* 10/1998 Bowen ..... D27/163  
D422,113 S \* 3/2000 Higgins ..... D27/186

(Continued)

*Primary Examiner* — Susan Bennett Hattan

*Assistant Examiner* — Janice Hallmark

(74) *Attorney, Agent, or Firm* — Womble Carlyle Sandridge & Rice, LLP

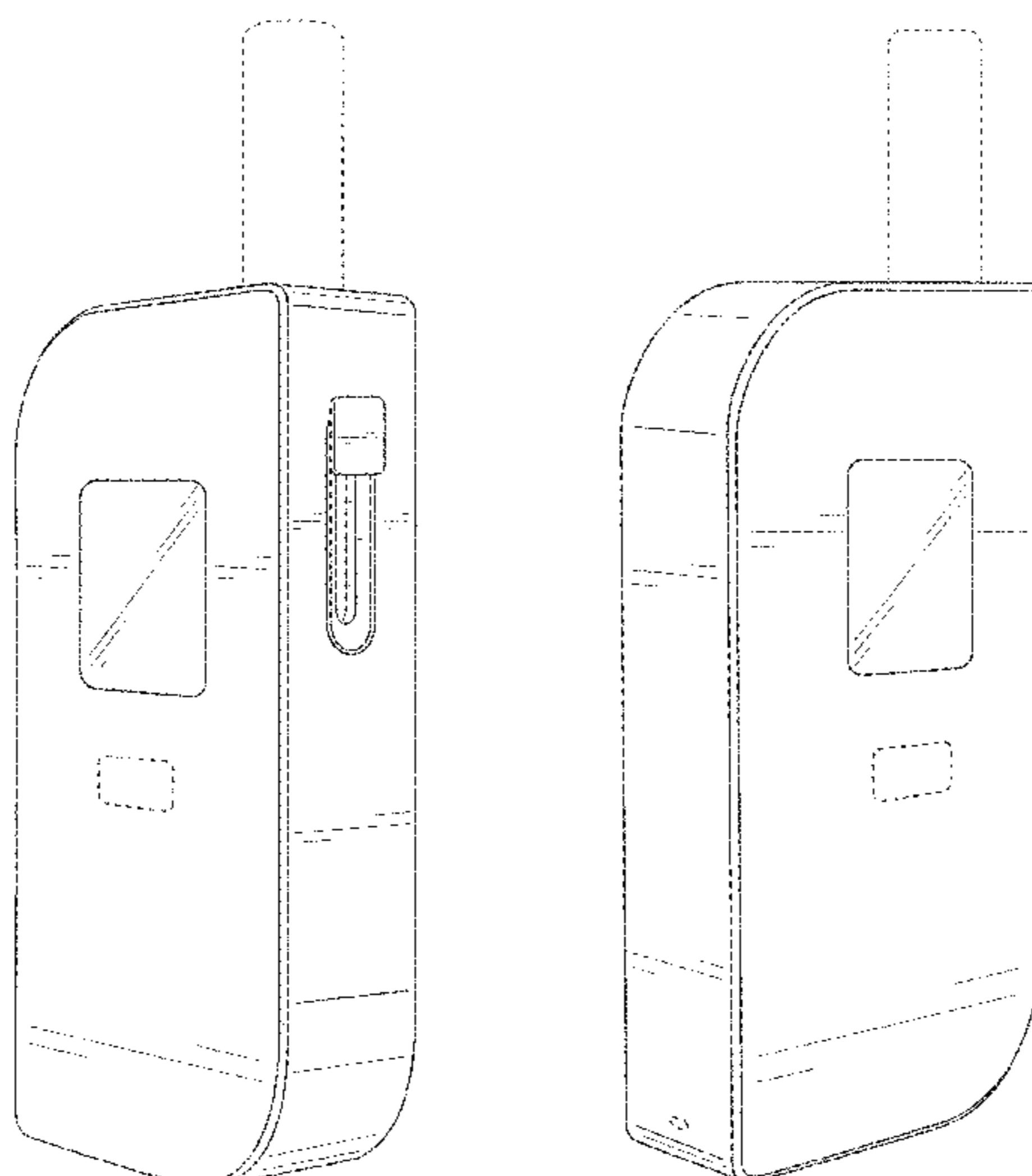
(57) **CLAIM**

The ornamental design for a hand-held aerosol forming device, as shown and described.

**DESCRIPTION**

FIG. 1 is a front perspective view of the device wherein the right side is visible;  
FIG. 2 is a front perspective view of the device being partially rotated around a vertical axis relative to FIG. 1 such that the left side is visible;  
FIG. 3 is a rear perspective view of the device wherein the left side is visible;  
FIG. 4 is a rear perspective view of the device being partially rotated around a vertical axis relative to FIG. 3 such that the right side is visible;  
FIG. 5 is a front, bottom perspective view of the device wherein the right side is visible;  
FIG. 6 is a rear, top perspective view of the device wherein the left side is visible;  
FIG. 7 is a front, bottom perspective view of the device wherein the left side is visible;  
FIG. 8 is a rear, top perspective view of the device wherein the right side is visible;  
FIG. 9 is a plan view showing the front of the device;  
FIG. 10 is a plan view showing the rear of the device;  
FIG. 11 is a plan view showing the left side of the device;  
FIG. 12 is a plan view showing the right side of the device;  
FIG. 13 is a plan view showing the top of the device; and,  
FIG. 14 is a plan view showing the bottom of the device.  
The broken lines shown herein depict environmental subject matter only and form no part of the claimed design.

**1 Claim, 12 Drawing Sheets**



(56)

References Cited

U.S. PATENT DOCUMENTS

D424,236 S *	5/2000	Reed	.....	D27/163	D729,444 S *	5/2015	Leidel	.....	D27/163
D433,532 S *	11/2000	Higgins	.....	D27/186	D729,445 S *	5/2015	Leidel	.....	D27/163
6,814,083 B2 *	11/2004	Likness	.....	A24F 47/00	D730,572 S *	5/2015	Leidel	.....	D27/163
				131/330	D731,114 S *	6/2015	Leidel	.....	D27/163
D537,930 S *	3/2007	Nelson	.....	D23/366	D733,356 S *	6/2015	Leidel	.....	D27/163
D538,914 S *	3/2007	Nelson	.....	D23/366	D738,038 S *	9/2015	Smith	.....	D27/170
D547,859 S *	7/2007	Choi	.....	D24/113	D743,099 S *	11/2015	Oglesby	.....	D27/101
D577,150 S *	9/2008	Bryman	.....	D27/163	2010/0313901 A1 *	12/2010	Fernando	.....	A24F 47/008
D647,247 S *	10/2011	Jones	.....	D27/163					131/330
D649,708 S *	11/2011	Oneil	.....	D27/163	2012/0255546 A1 *	10/2012	Goetz	.....	A61M 11/041
D654,160 S *	2/2012	Yomtov	.....	D23/360					128/202.21
D690,002 S *	9/2013	Storey	.....	D24/110	2013/0037042 A1 *	2/2013	Hearn	.....	A24F 47/002
D695,391 S *	12/2013	Takemoto	.....	D24/113					131/329
D708,727 S *	7/2014	Postma	.....	D23/360	2014/0196732 A1 *	7/2014	Liu	.....	A24F 47/008
D728,855 S *	5/2015	Liu	.....	D27/163					131/329
					2014/0283824 A1 *	9/2014	Wheelock	.....	A61M 11/041
									128/202.21

\* cited by examiner

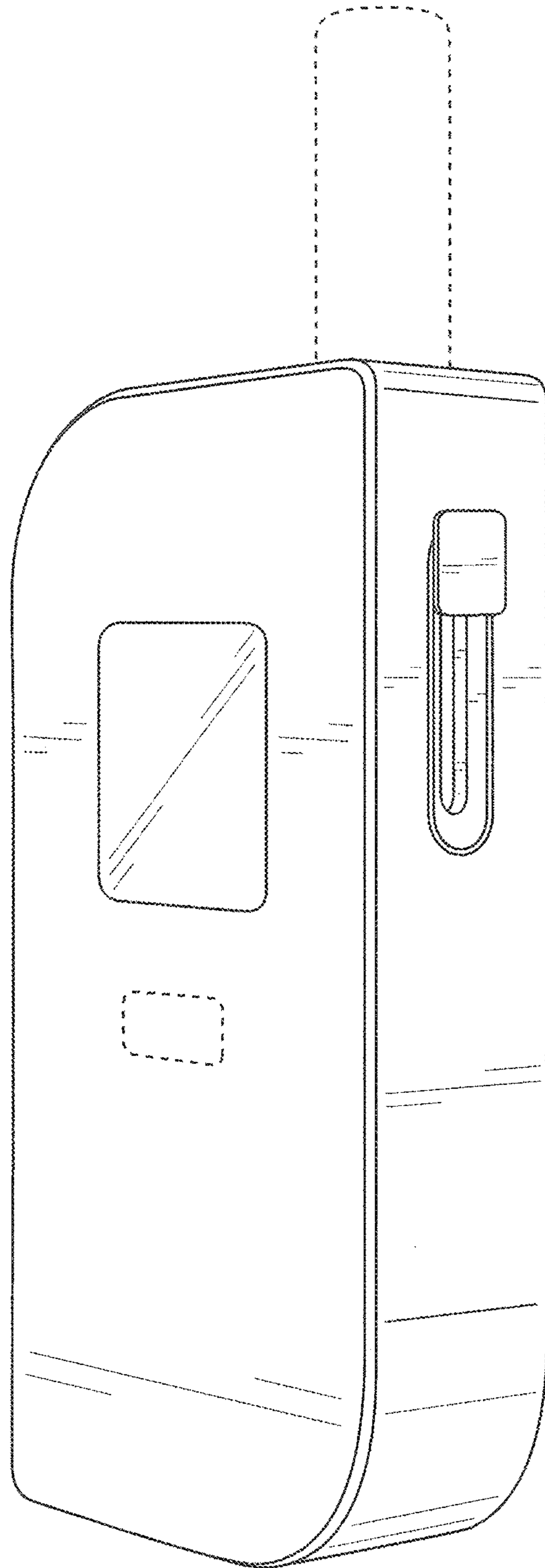


FIG. 1

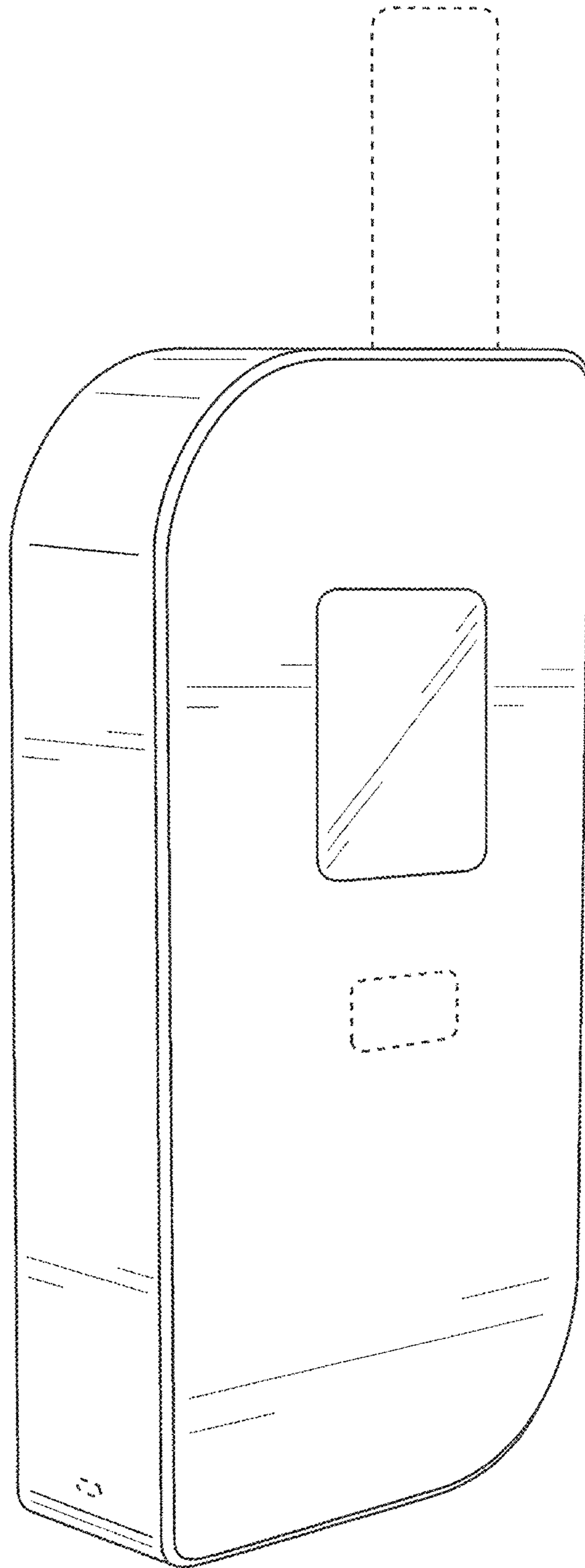


FIG. 2

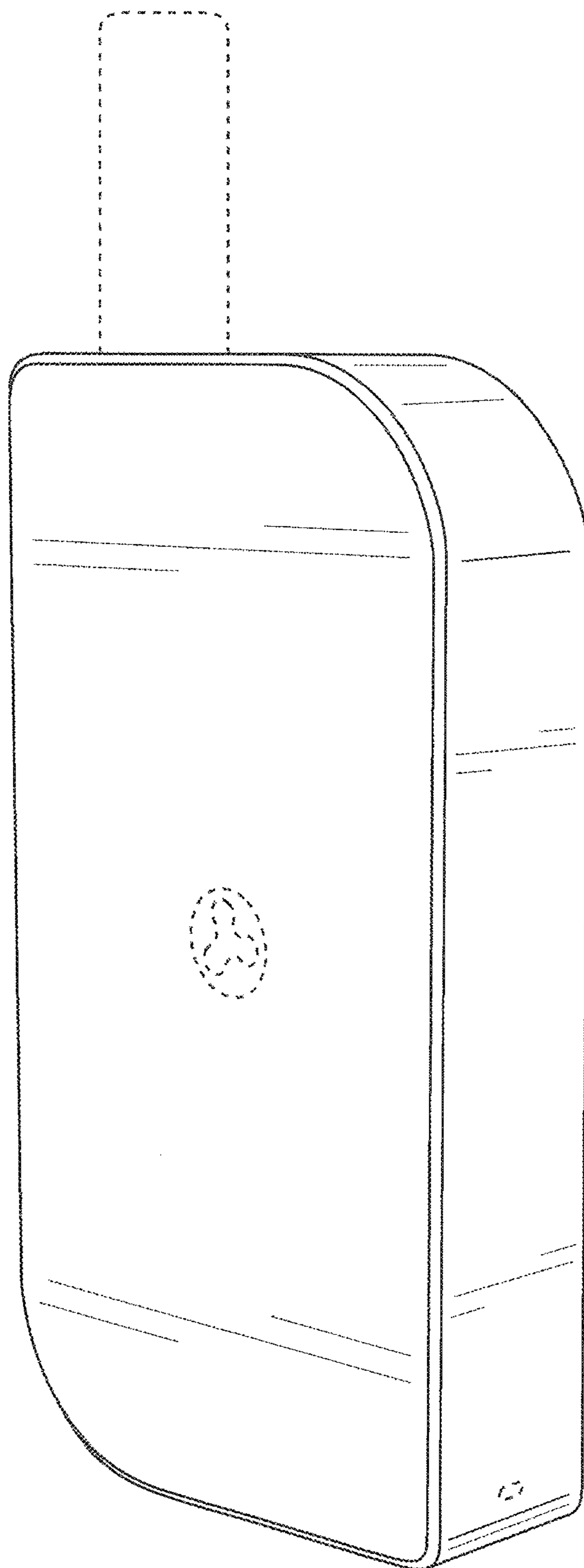


FIG. 3

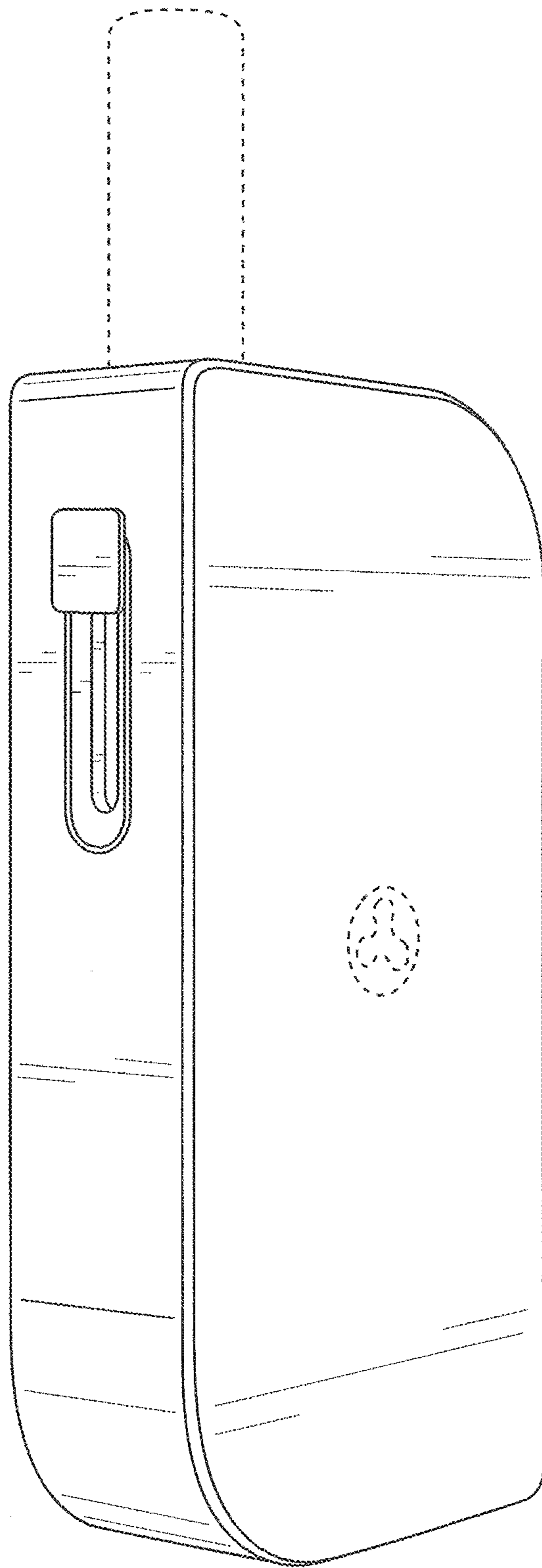


FIG. 4

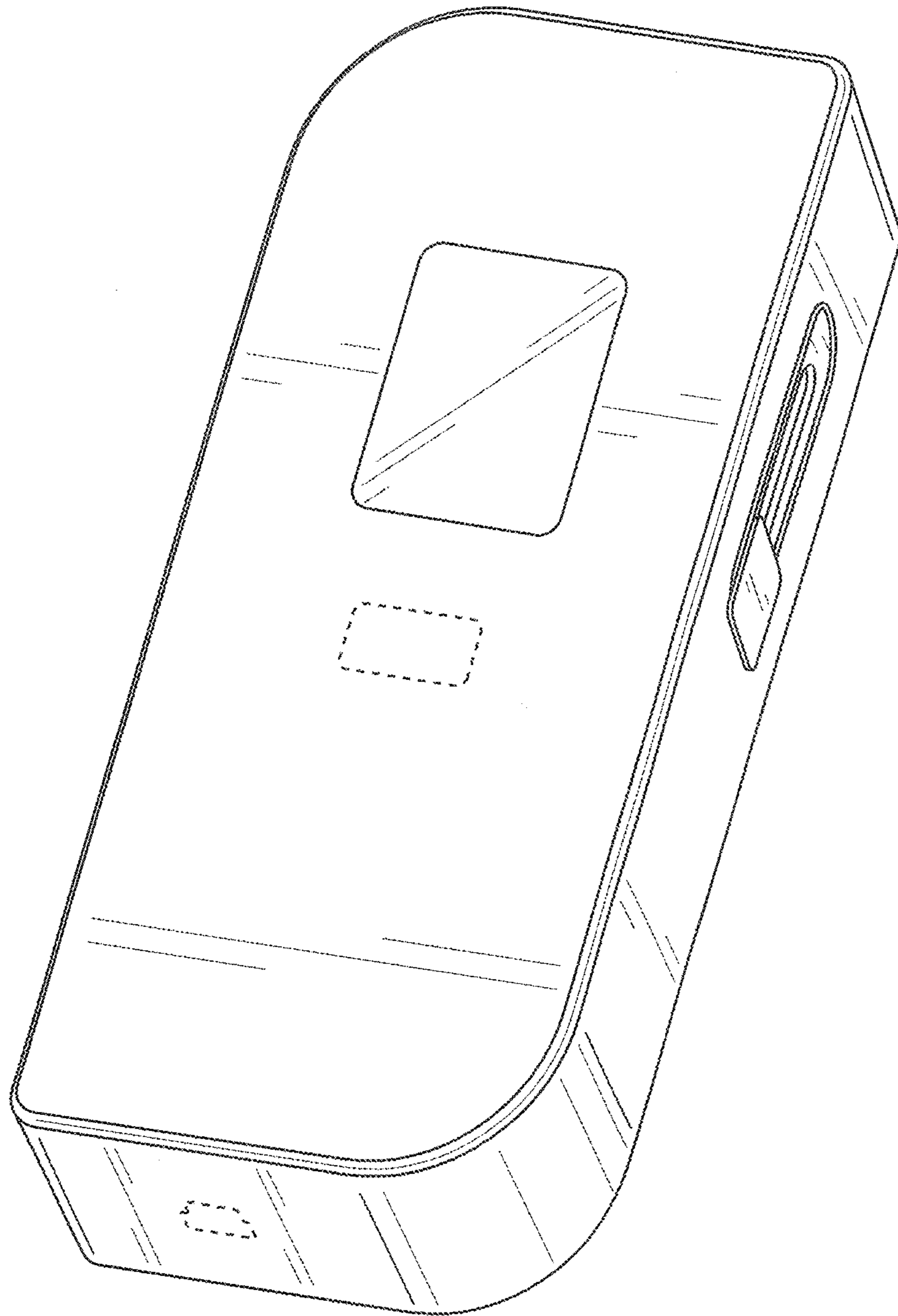


FIG. 5

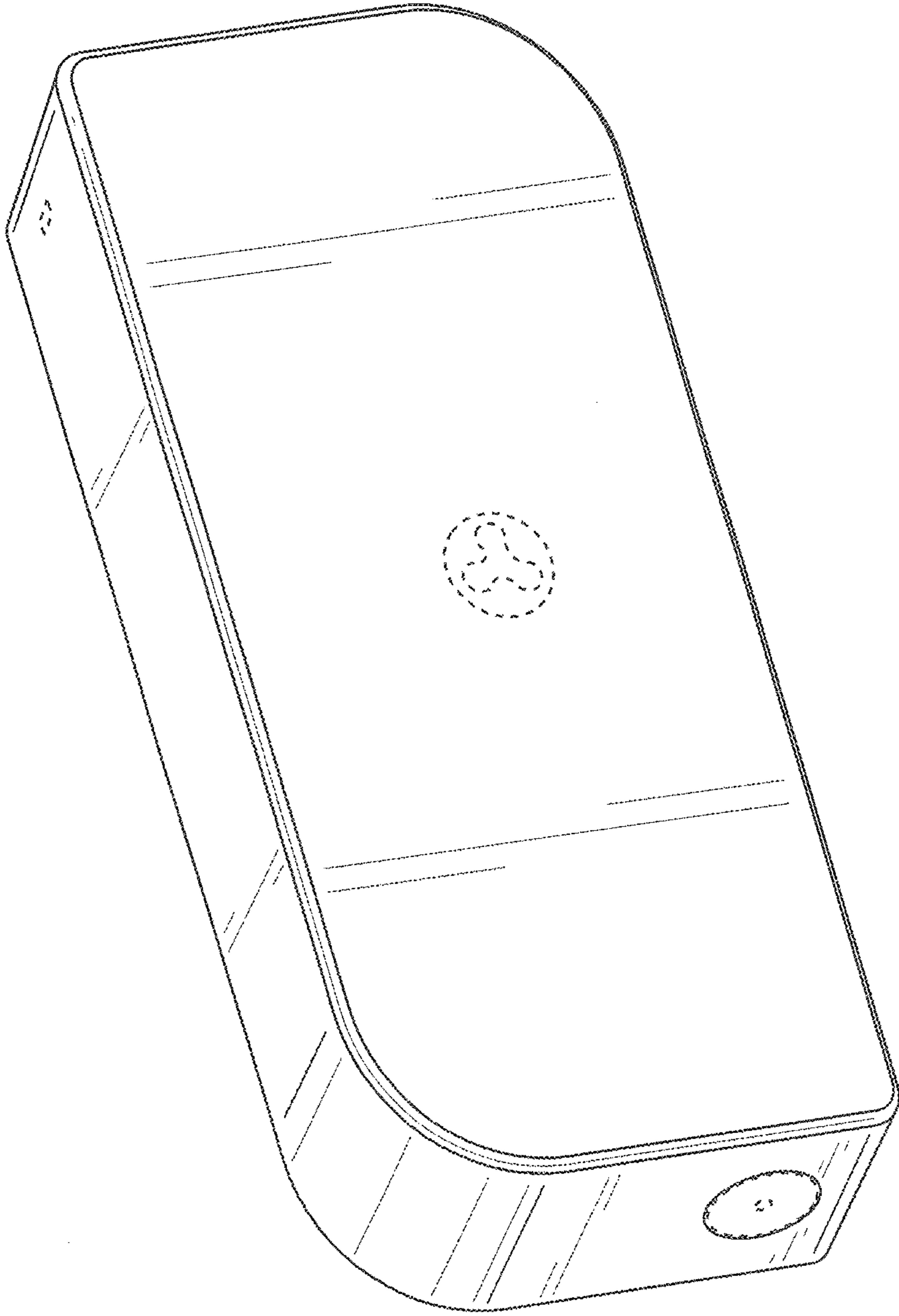


FIG. 6



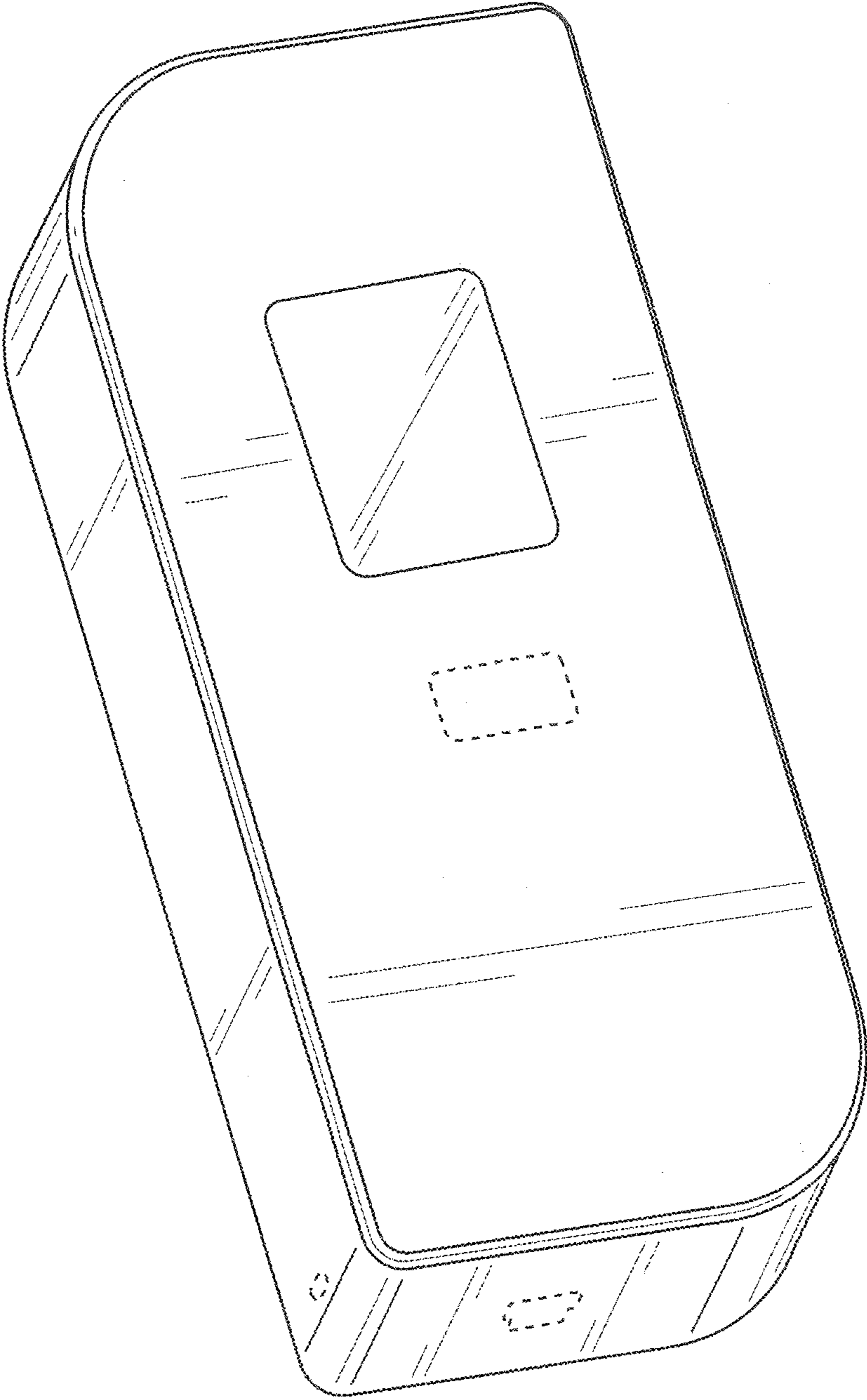


FIG. 7

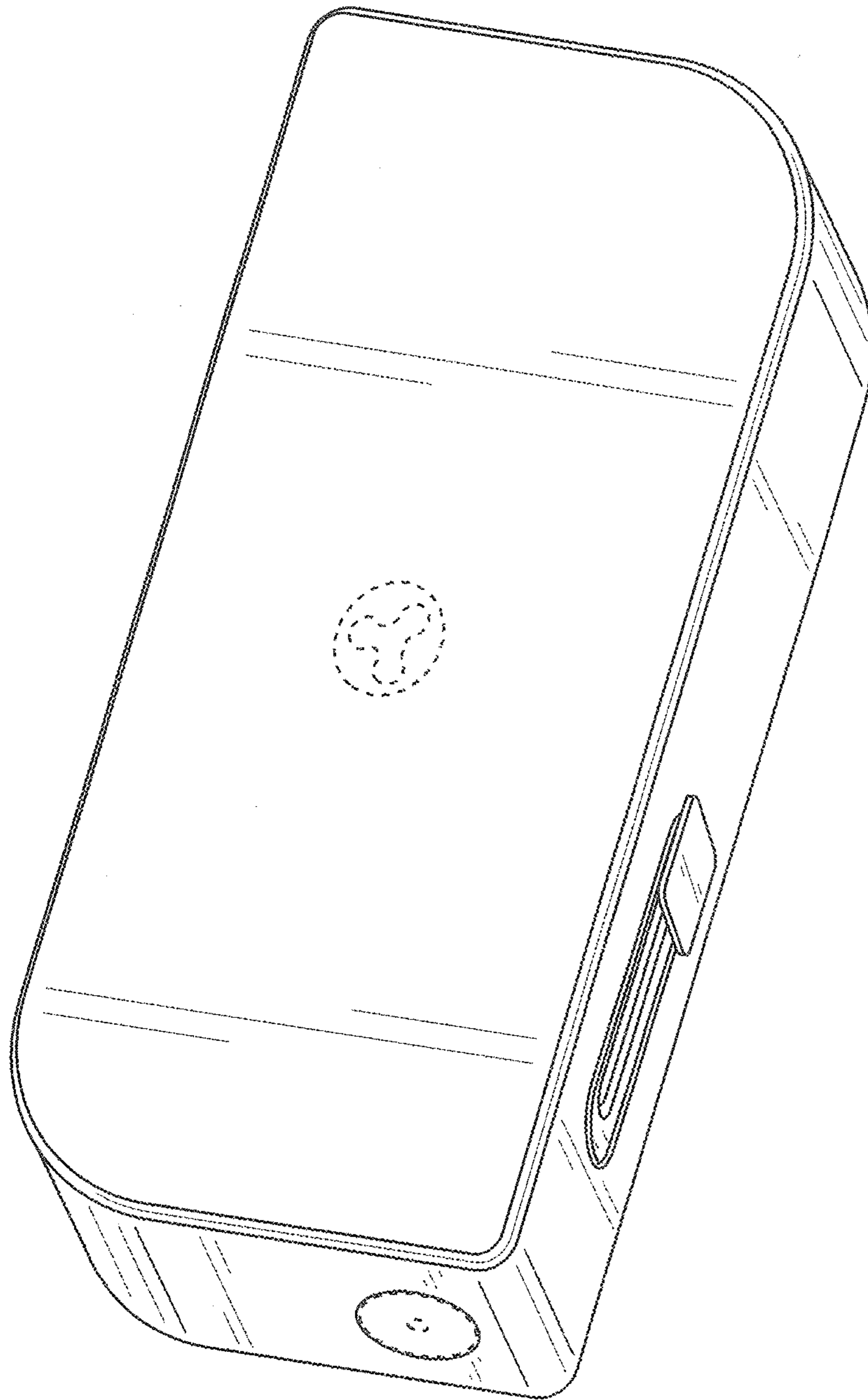


FIG. 8

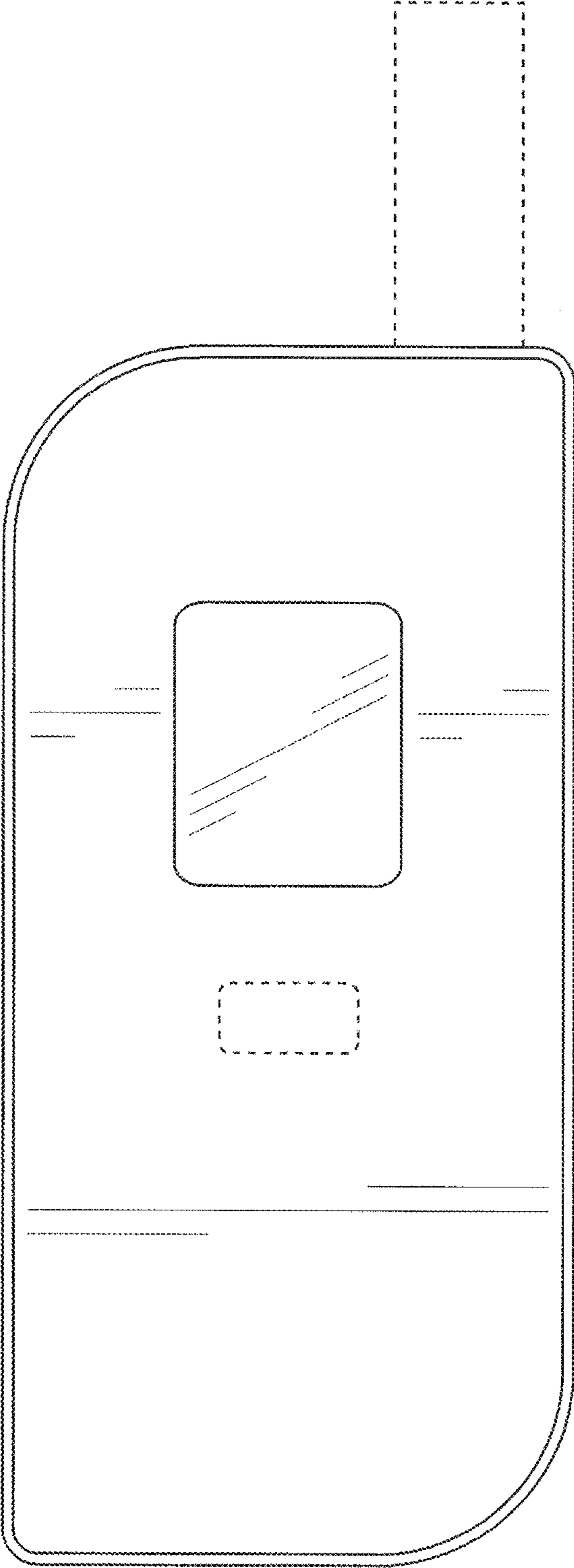


FIG. 9

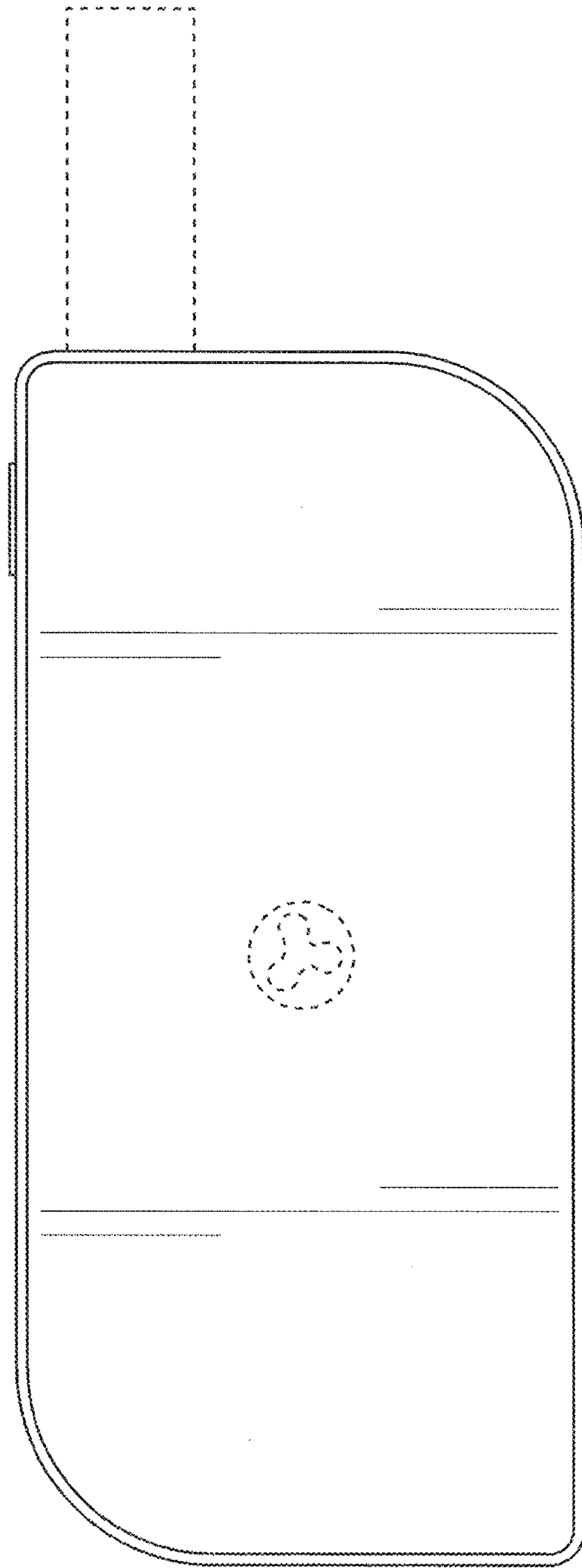


FIG. 10

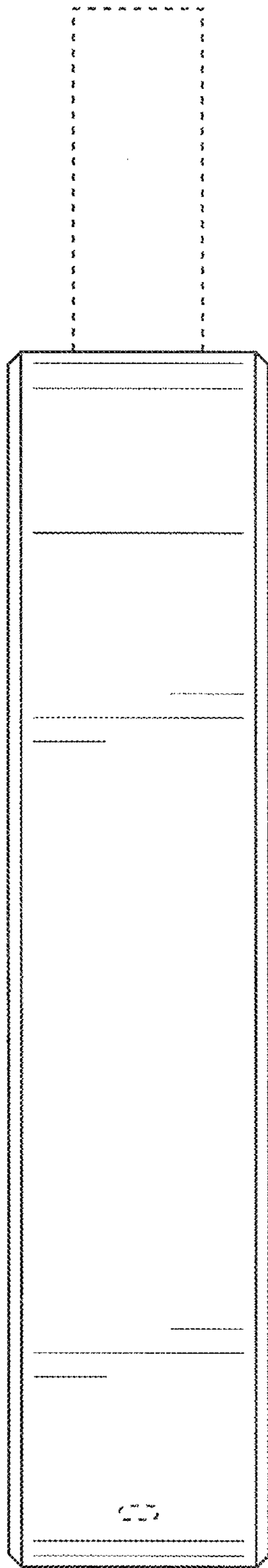


FIG. 11

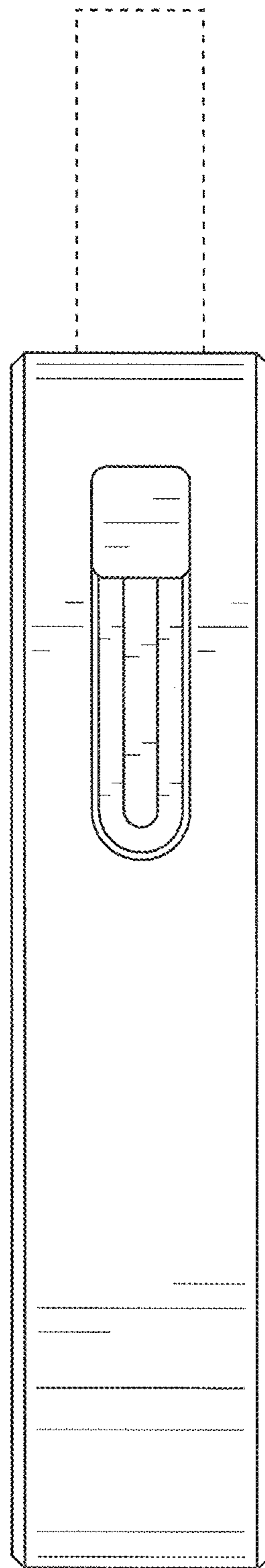


FIG. 12

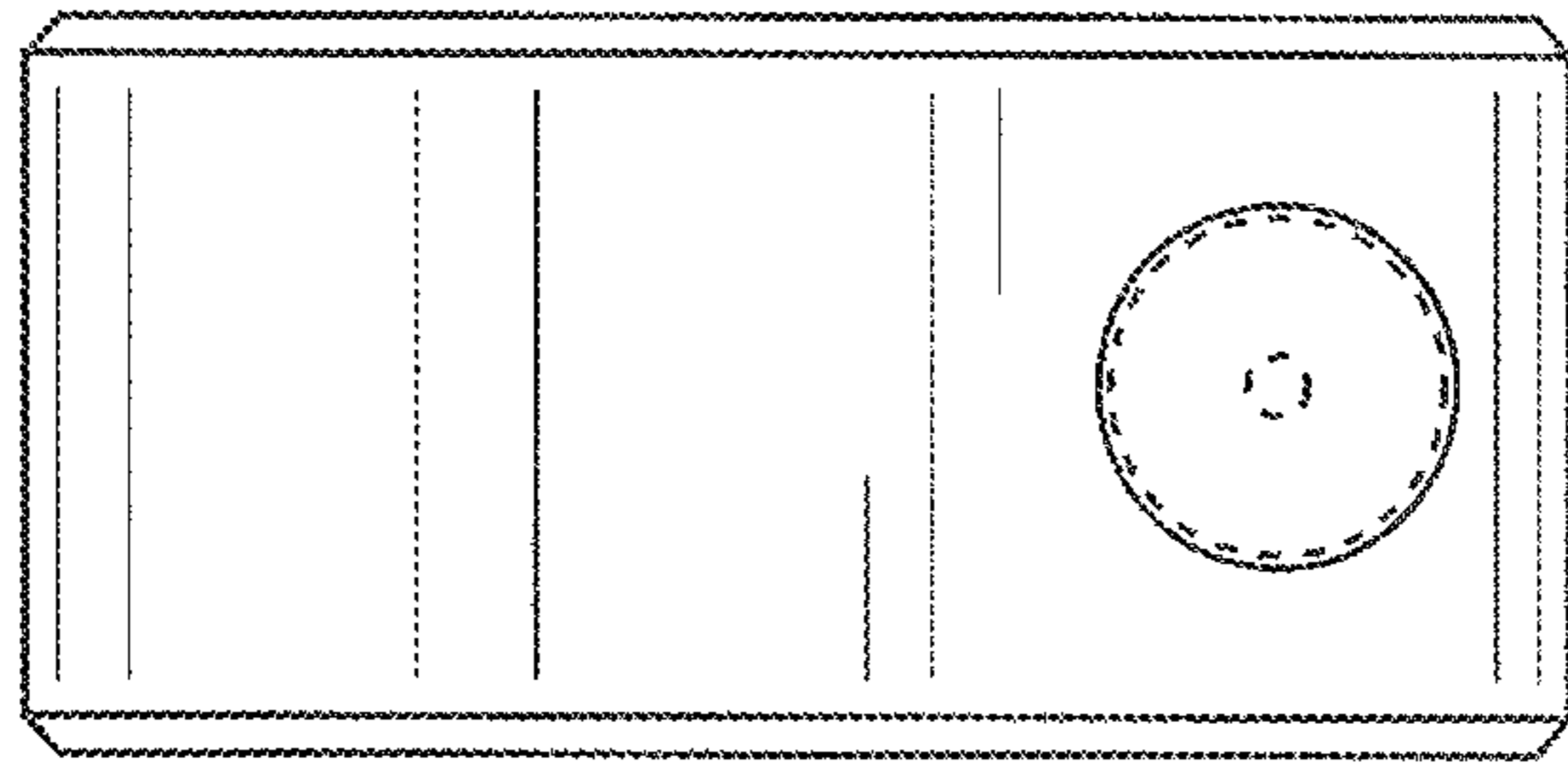


FIG. 13

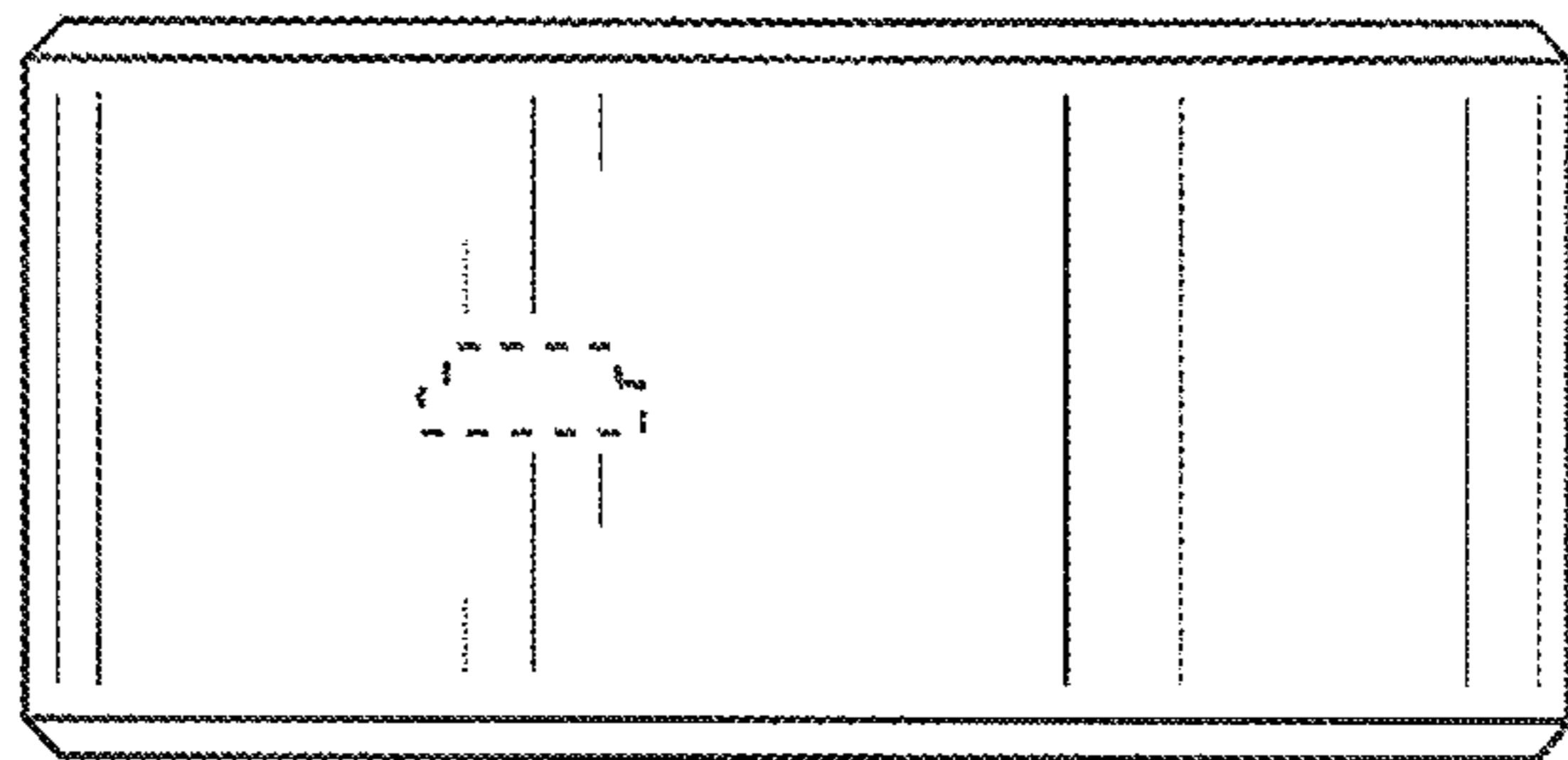


FIG. 14