



US00D758003S

(12) **United States Design Patent**
Merwin

(10) **Patent No.:** **US D758,003 S**
(45) **Date of Patent:** **** May 31, 2016**

(54) **ESSENTIAL OIL VAPORIZER**
(71) Applicant: **Kristian R. Merwin**, Salt Lake City, UT (US)
(72) Inventor: **Kristian R. Merwin**, Salt Lake City, UT (US)
(**) Term: **14 Years**
(21) Appl. No.: **29/515,128**
(22) Filed: **Jan. 20, 2015**
(51) **LOC (10) Cl.** **27-02**
(52) **U.S. Cl.**
USPC **D27/163**
(58) **Field of Classification Search**
USPC D27/101, 162, 163, 167; D24/110;
D23/360; D19/115, 122, 159, 163,
D19/178; D14/411; D9/575, 527, 539, 551,
D9/564, 571, 573, 549
CPC A61M 15/00; A61M 15/06; A24F 47/00;
A24F 47/002; A24F 47/004; A24F 47/006;
A24F 47/008; A24F 1/06
See application file for complete search history.

D544,956 S * 6/2007 Collins D24/110
D557,404 S * 12/2007 Kristensen D24/110
D581,520 S * 11/2008 Williams D23/360
D724,264 S * 3/2015 Chambers D27/101
9,027,565 B2 5/2015 Wagenhals
D738,479 S * 9/2015 Storey D23/366
2009/0293888 A1 * 12/2009 Williams A24F 47/008
131/178
2009/0293892 A1 * 12/2009 Williams A24F 47/008
131/328
2012/0199572 A1 8/2012 Shen et al.
2014/0174457 A1 6/2014 Merwin
2015/0078735 A1 * 3/2015 Cormack A24F 47/00
392/395

* cited by examiner

Primary Examiner — Susan Bennett Hattan
Assistant Examiner — Janice Hallmark
(74) *Attorney, Agent, or Firm* — Morriss O'Bryant Compagni

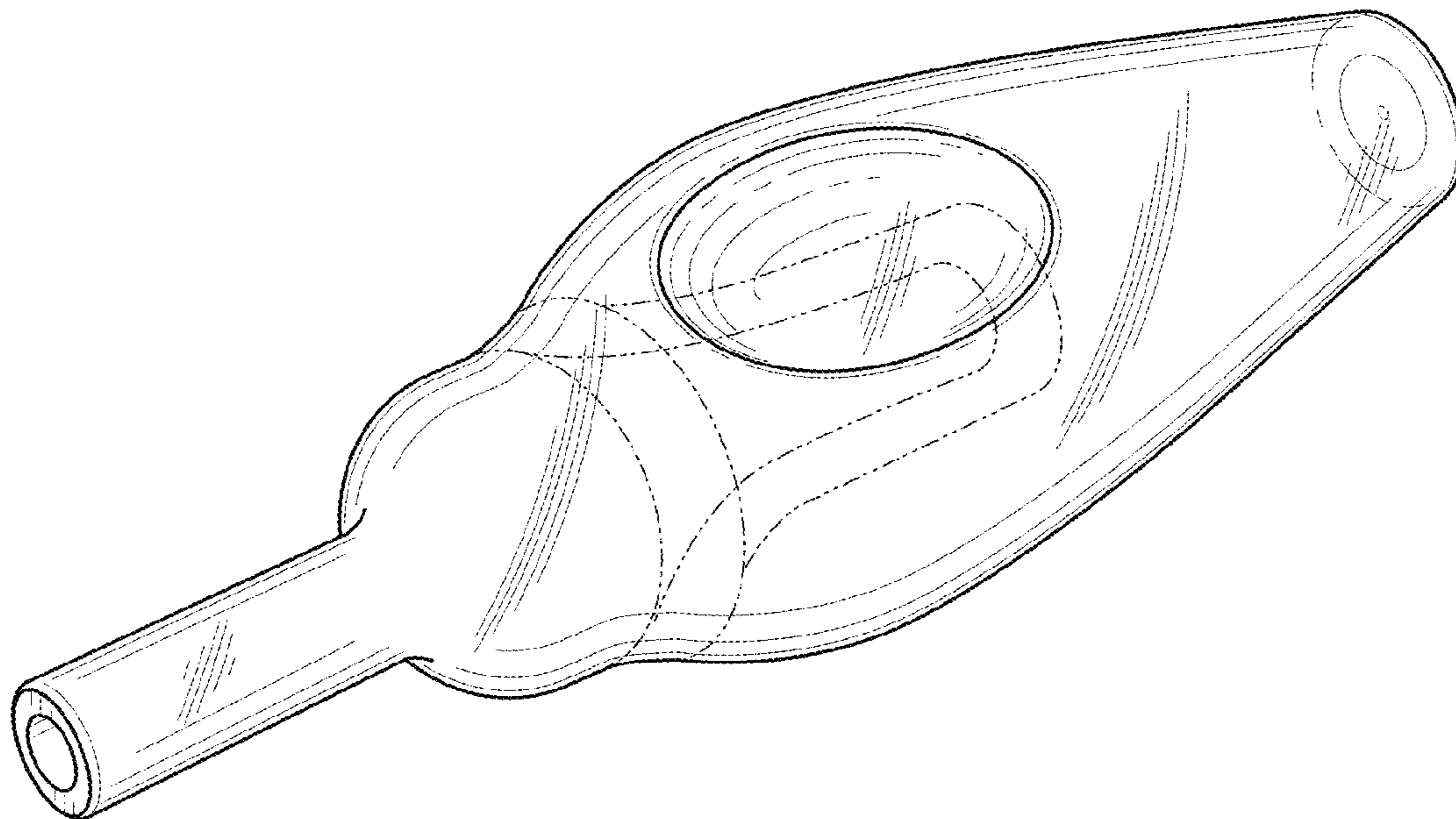
(57) **CLAIM**
The ornamental design for an essential oil vaporizer, as shown and described.

DESCRIPTION

FIG. 1 is a front perspective view of the vaporizer;
FIG. 2 is a front side view of the vaporizer;
FIG. 3 is a rear side view of the vaporizer;
FIG. 4 is a left side view of the vaporizer;
FIG. 5 is a right side view of the vaporizer;
FIG. 6 is a bottom view of the vaporizer; and,
FIG. 7 is a top view of the vaporizer.
The broken lines in the drawings depict interior structures and a top opening of the essential oil vaporizer that form no part of the claimed design.

1 Claim, 3 Drawing Sheets

(56) **References Cited**
U.S. PATENT DOCUMENTS
2,510,909 A * 6/1950 Schuelein A24F 13/02
131/330
4,029,109 A 6/1977 Kahler
D250,485 S * 12/1978 Cuthbertson D27/163
4,241,741 A 12/1980 Cabados et al.
6,481,437 B1 11/2002 Pate
6,845,771 B1 * 1/2005 Love A61M 11/048
122/4 R
6,935,345 B2 8/2005 Carstens et al.



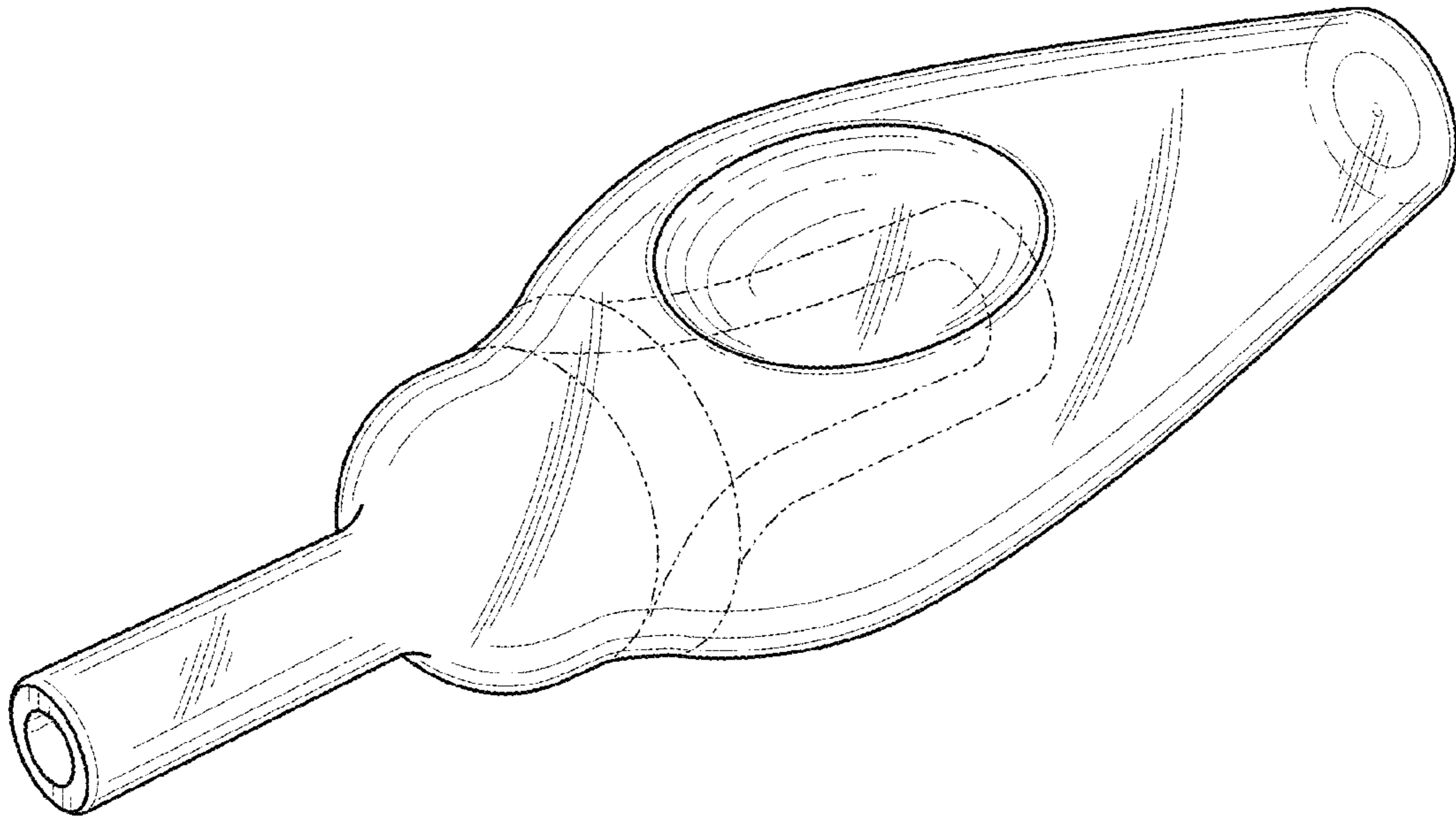


FIG. 1

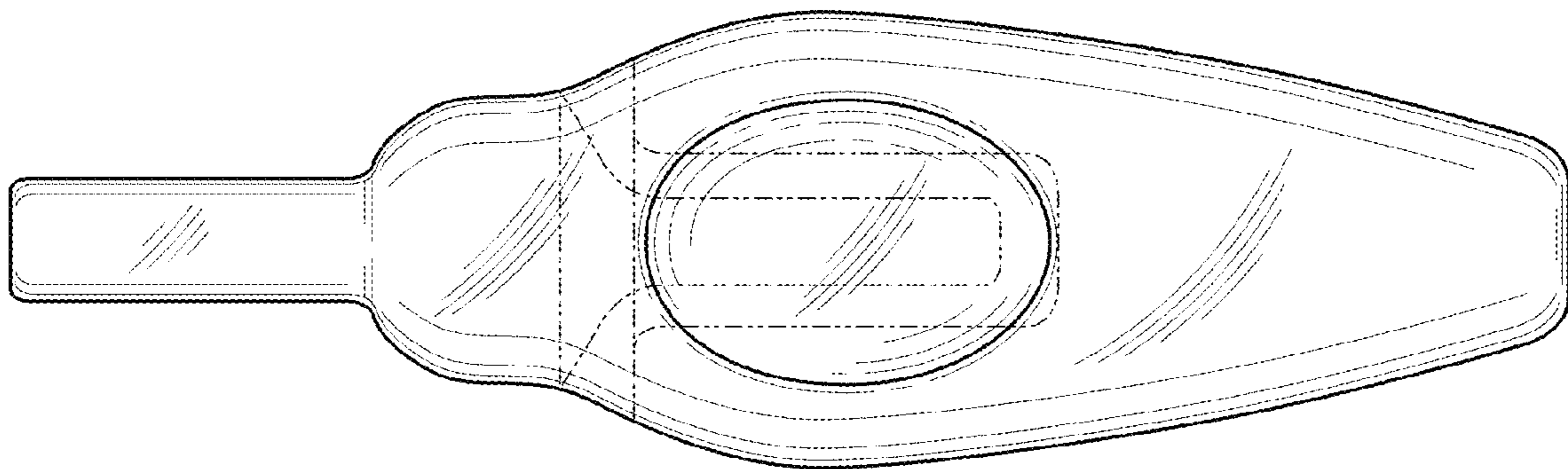


FIG. 2

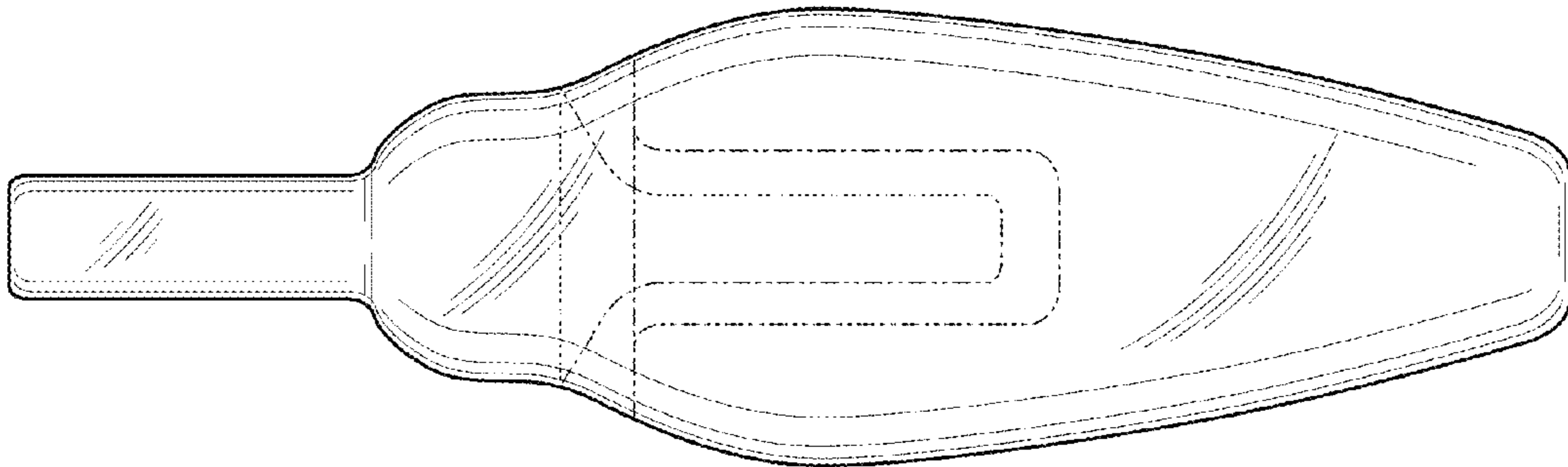


FIG. 3

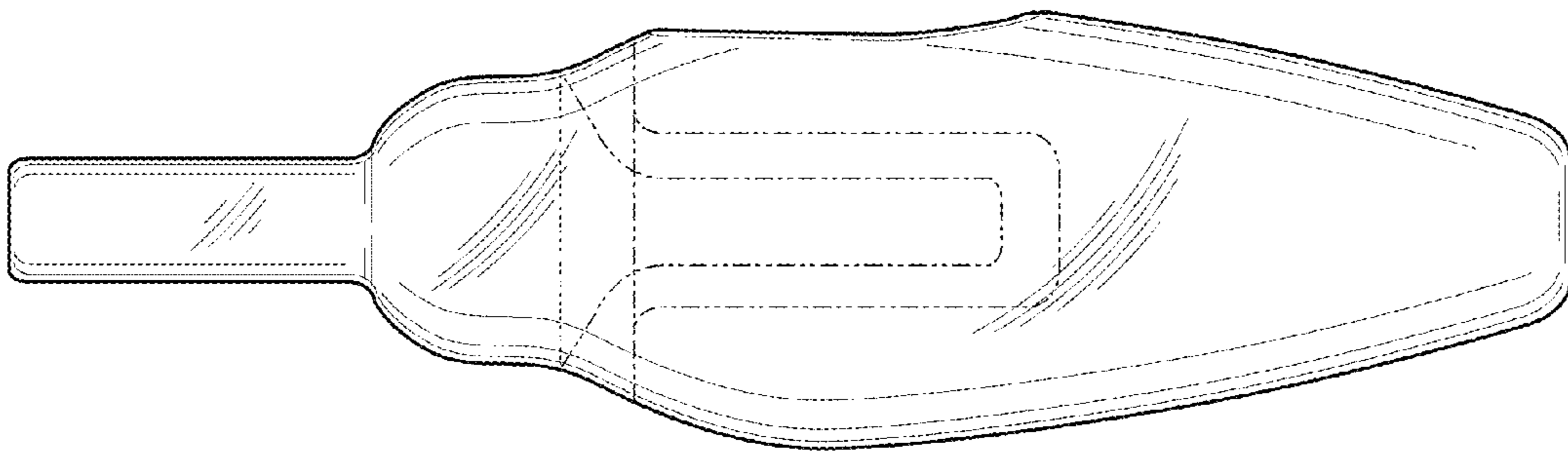


FIG. 4

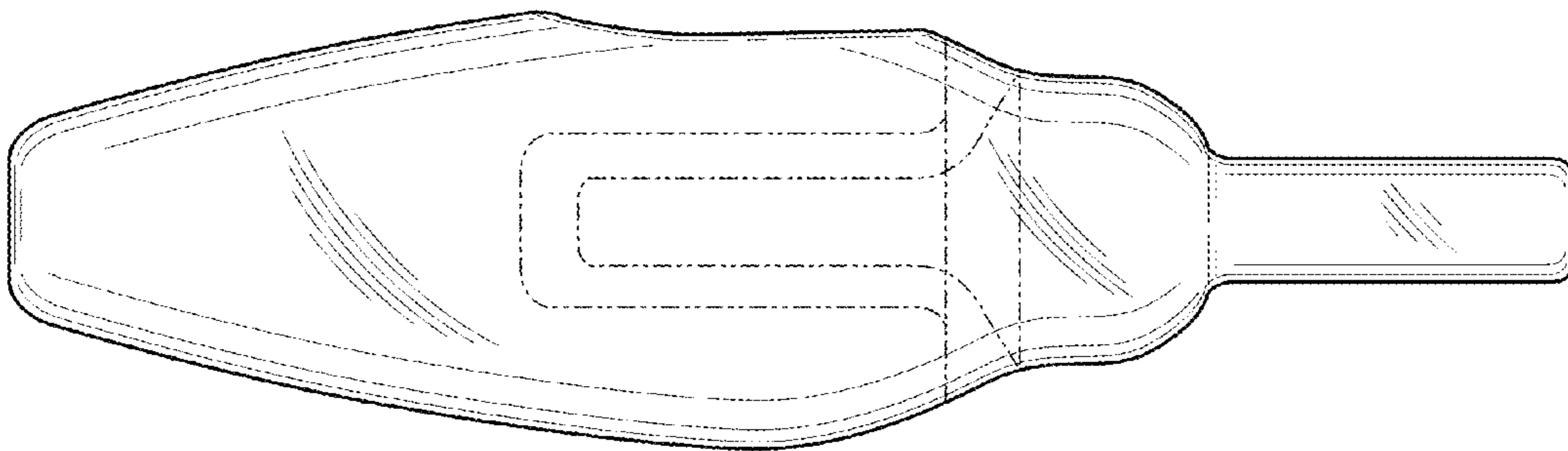


FIG. 5

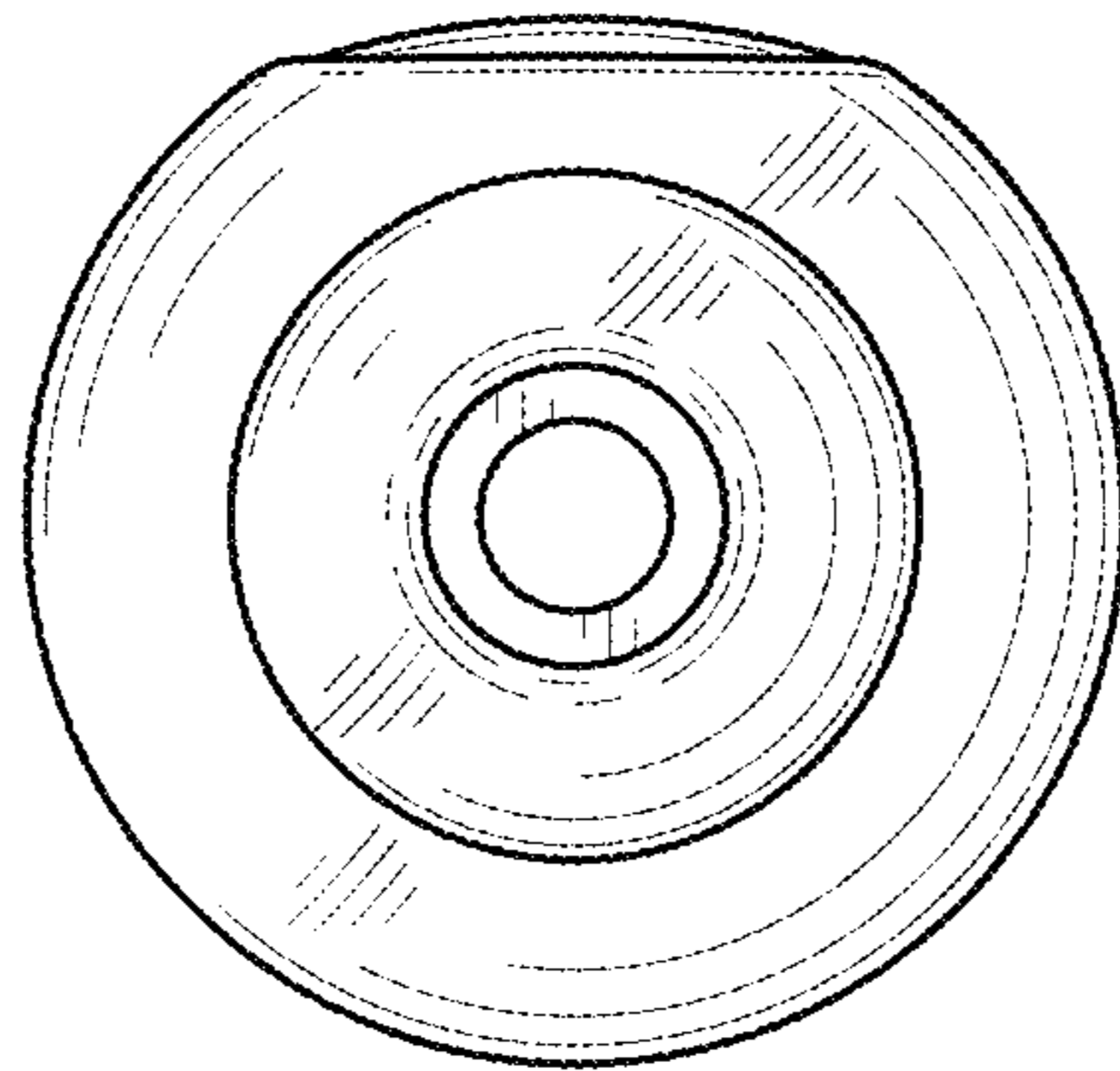


FIG. 6

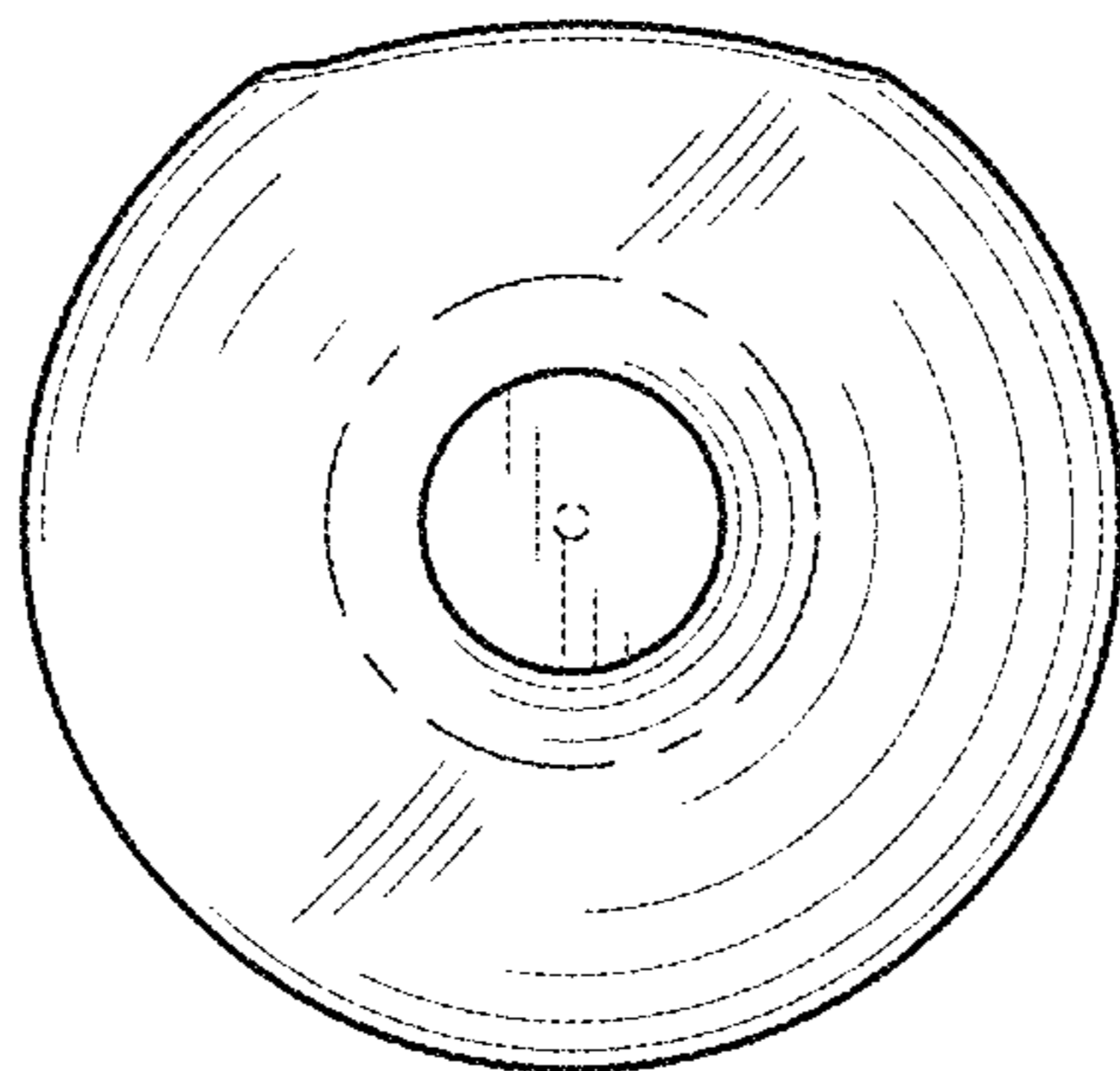


FIG. 7