



US00D758000S

(12) **United States Design Patent**  
**Elhalwani**

(10) **Patent No.:** **US D758,000 S**

(45) **Date of Patent:** **\*\* May 31, 2016**

(54) **HOOKAH COMPONENT**

(71) Applicant: **Wael Salim Elhalwani**, Dubai (AE)

(72) Inventor: **Wael Salim Elhalwani**, Dubai (AE)

(\*\*) Term: **14 Years**

(21) Appl. No.: **29/521,077**

(22) Filed: **Mar. 19, 2015**

(51) **LOC (10) Cl.** ..... **27-02**

(52) **U.S. Cl.**

USPC ..... **D27/162**

(58) **Field of Classification Search**

USPC ..... D27/100, 101, 162, 163, 165, 166, 167,  
D27/193, 194; D9/432, 451, 452, 502, 537,  
D9/556, 565, 643, 648, 661, 662;  
D24/110, 215; D7/550.1, 552.2, 553.6;  
131/179, 222, 260, 270, 271, 273, 329,  
131/330, 358, 367; 142/1

CPC ..... A24F 1/26; A24F 1/30; A24F 3/00;  
A24F 7/00; A24F 15/00; A24F 23/00; A24F  
23/02; A24F 47/00; A24F 47/002; A24F  
47/008

See application file for complete search history.

(56) **References Cited**

**U.S. PATENT DOCUMENTS**

D547,489 S *	7/2007	Kassir	.....	D27/162
D547,902 S *	7/2007	Kassir	.....	D27/162
D554,797 S *	11/2007	Kassir	.....	D27/162
D561,388 S *	2/2008	Kassir	.....	D27/162
D742,587 S *	11/2015	Masri	.....	D27/162
2004/0163658 A1 *	8/2004	Mehio	.....	A42F 1/30 131/191

2012/0042884 A1 *	2/2012	Mukaddam	.....	A24F 1/30 131/173
2014/0069446 A1 *	3/2014	Haddad	.....	A24F 1/30 131/329
2014/0283852 A1 *	9/2014	Dabes	.....	A24F 1/30 131/173
2015/0282524 A1 *	10/2015	Elhalwani	.....	A24F 47/008 131/329
2015/0320110 A1 *	11/2015	Touzjian	.....	A24F 1/32 131/173

\* cited by examiner

*Primary Examiner* — Rosemary K Tarcza

*Assistant Examiner* — Christy Nemeth

(74) *Attorney, Agent, or Firm* — The Patel Law Firm, PC;  
Natu J Patel

(57) **CLAIM**

The ornamental design for a hookah component, as shown and described.

**DESCRIPTION**

FIG. 1 is a top perspective view of a hookah component according to the present design;

FIG. 2 is a front elevation view thereof;

FIG. 3 is a right elevation view thereof;

FIG. 4 is a left elevation view thereof;

FIG. 5 is a rear elevation view thereof;

FIG. 6 is a top plan view thereof; and,

FIG. 7 is a bottom plan view thereof.

The hookah component is shown with a symbolic break in its length. The appearance of any portion of the article between the break lines forms no part of the claimed design.

**1 Claim, 4 Drawing Sheets**

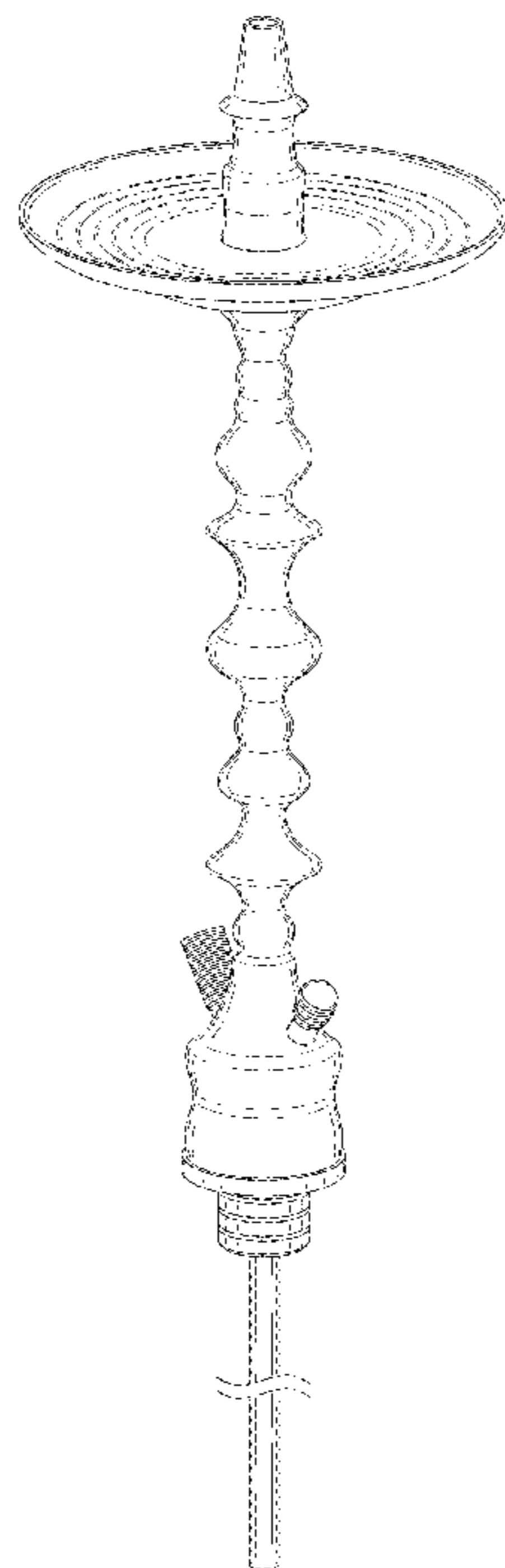
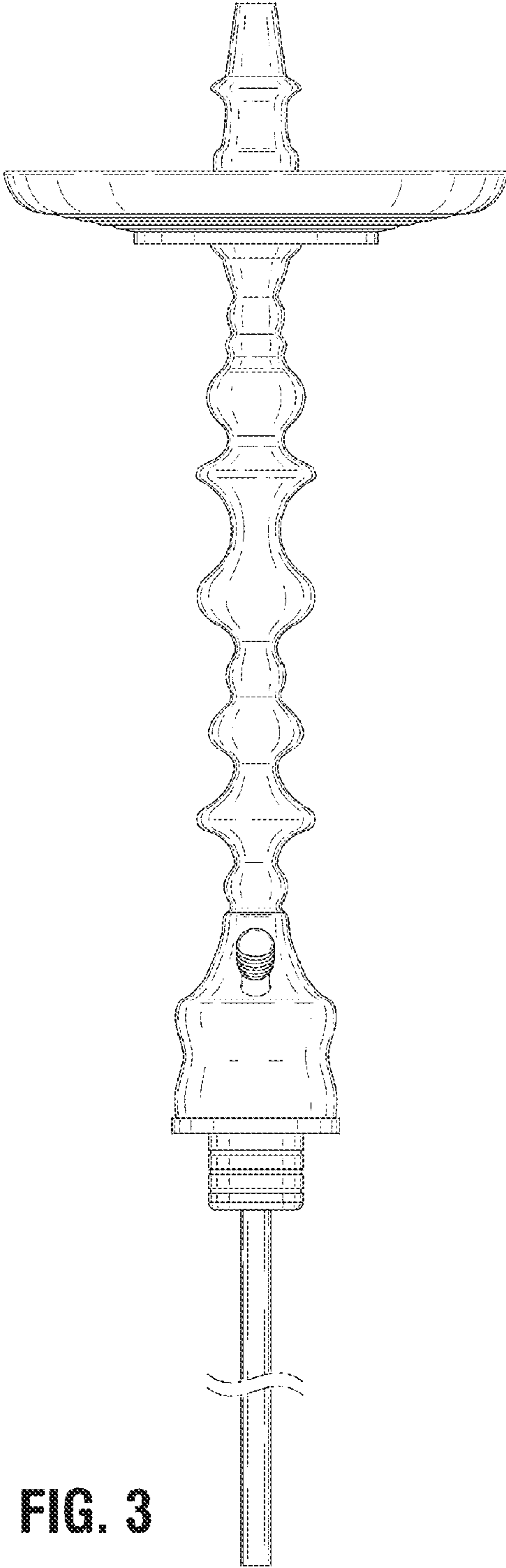
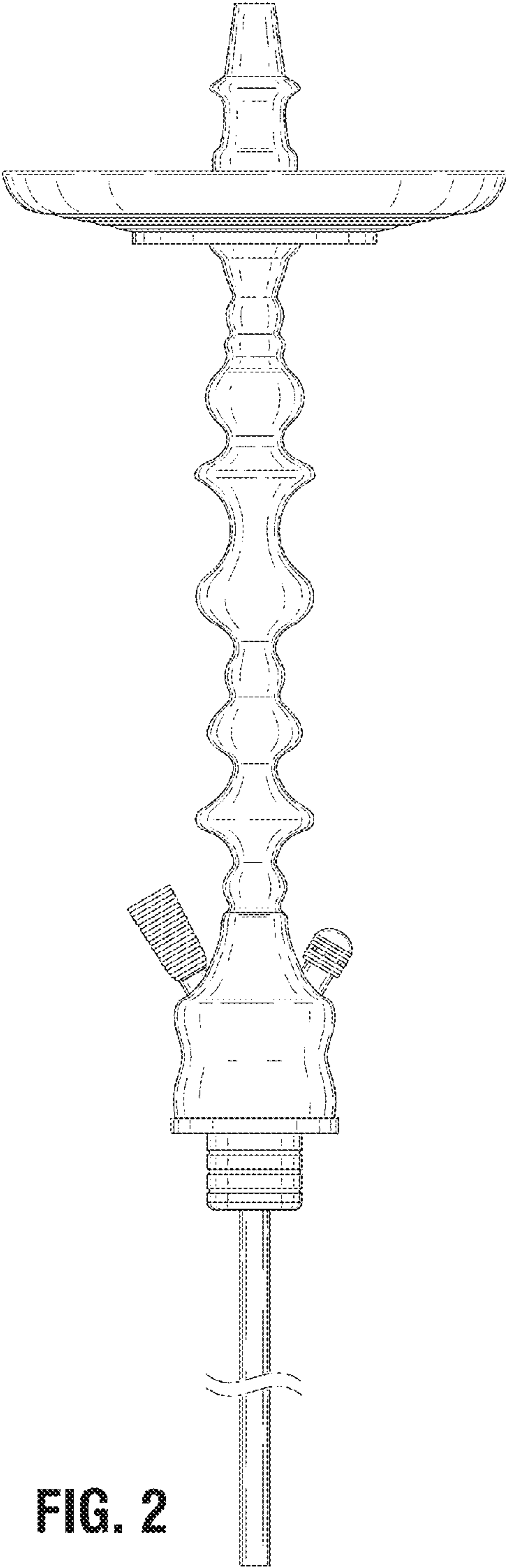




FIG. 1



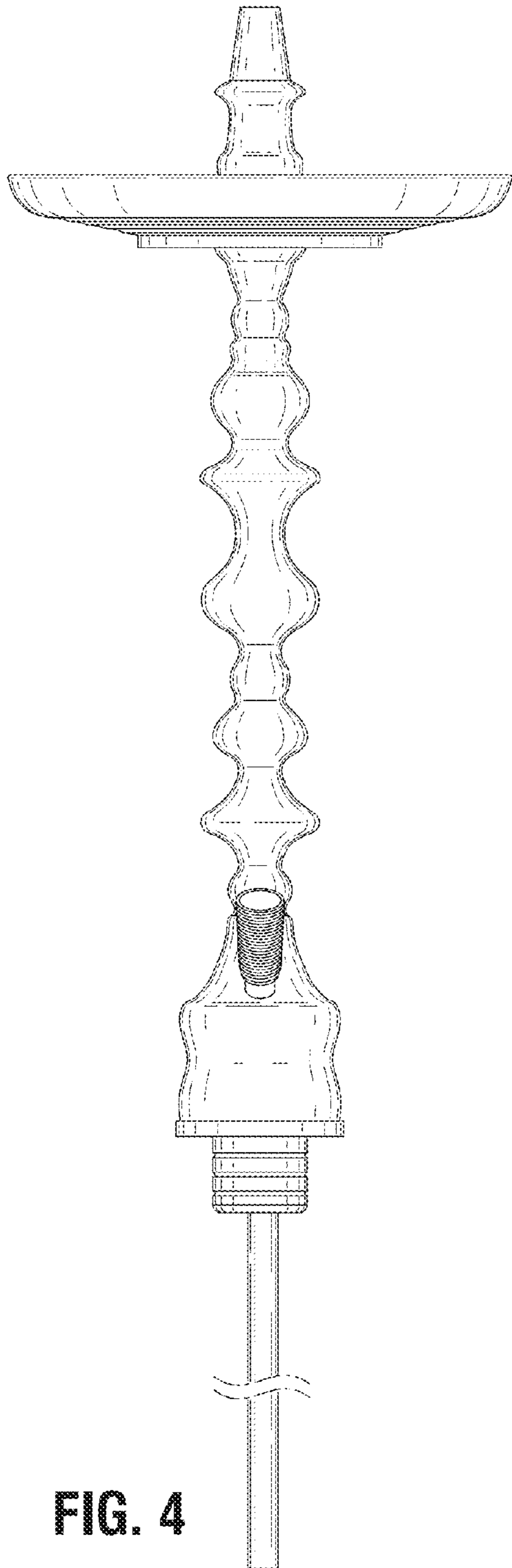


FIG. 4

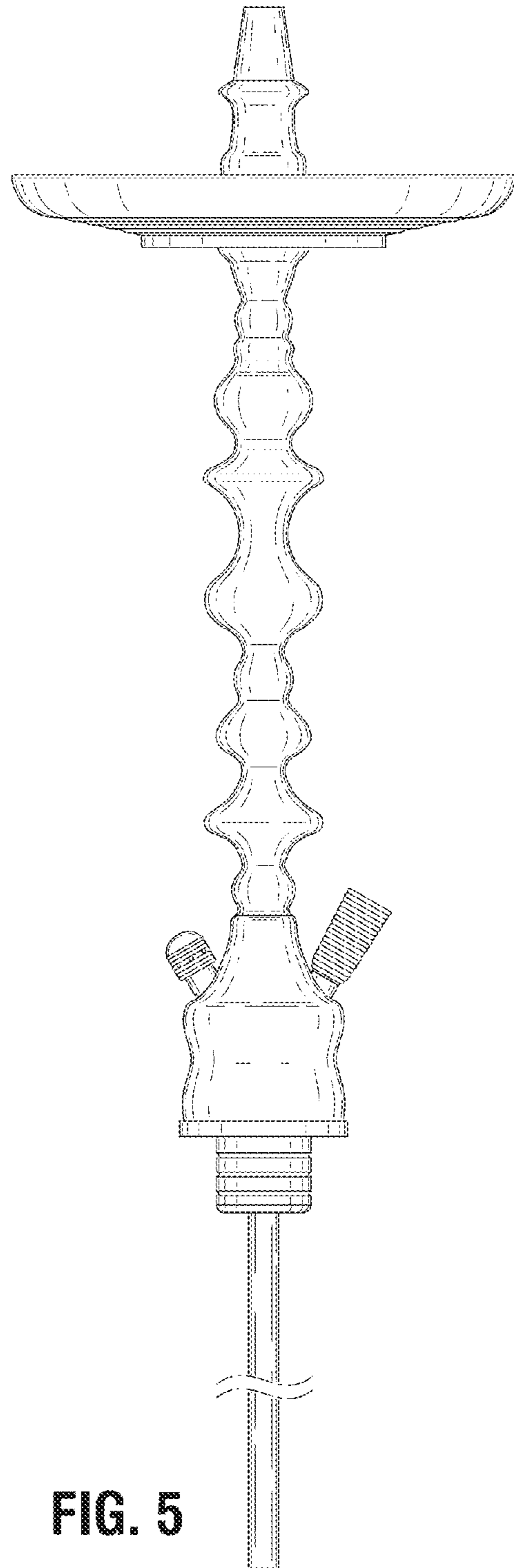
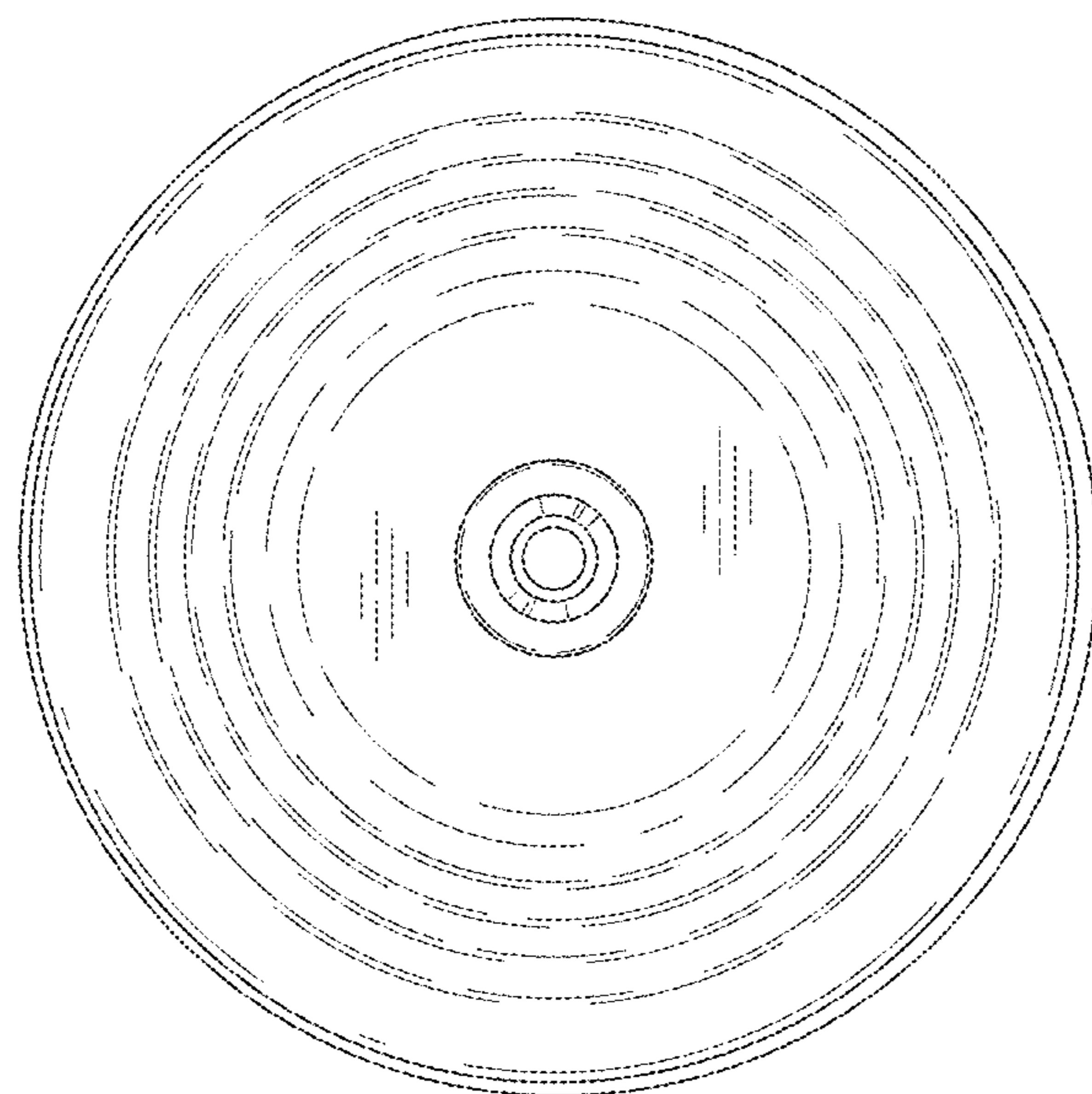
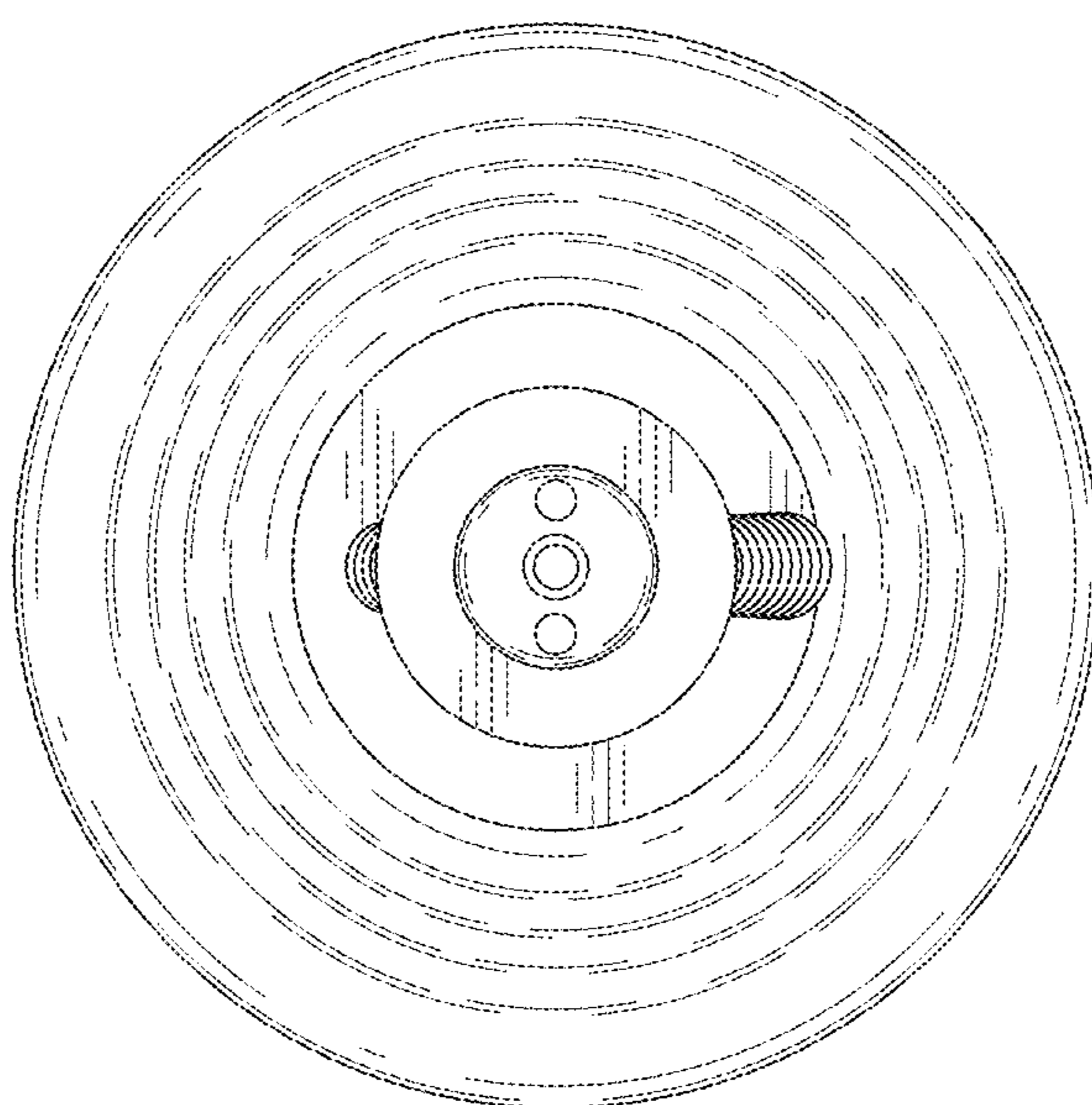


FIG. 5





**FIG. 6**



**FIG. 7**