



US00D757999S

(12) **United States Design Patent**  
**Elhalwani**

(10) **Patent No.:** **US D757,999 S**

(45) **Date of Patent:** **\*\* \*May 31, 2016**

(54) **HOOKAH**

(71) Applicant: **Wael Elhalwani**, Dubai (AE)

(72) Inventor: **Wael Elhalwani**, Dubai (AE)

(\*) Notice: This patent is subject to a terminal disclaimer.

(\*\*) Term: **15 Years**

(21) Appl. No.: **29/487,457**

(22) Filed: **Nov. 12, 2015**

(51) **LOC (10) Cl.** ..... **27-02**

(52) **U.S. Cl.**  
USPC ..... **D27/162**

(58) **Field of Classification Search**  
USPC ..... D27/100, 103, 162, 163, 164, 167, 194;  
D26/9, 10, 53, 96; D23/360-363;  
D11/154-156  
CPC ..... A24F 47/008; A24F 1/30; A24F 47/002;  
A24F 1/00; A24F 1/28  
See application file for complete search history.

D742,587 S *	11/2015	Masri	.....	D27/162
2006/0086364 A1 *	4/2006	Liu	.....	A24F 1/30 131/173
2006/0207621 A1 *	9/2006	Shraiber	.....	A24F 1/30 131/348
2007/0261194 A1 *	11/2007	Tannous	.....	A24F 1/30 15/330
2011/0180080 A1 *	7/2011	Fares	.....	A24F 47/00 131/184.1
2011/0308537 A1 *	12/2011	Khoury	.....	A24F 5/10 131/174
2012/0180803 A1 *	7/2012	Beloni	.....	A24F 1/30 131/173
2014/0130811 A1 *	5/2014	Touzjian	.....	A24F 1/32 131/173
2015/0075544 A1 *	3/2015	Portz	.....	A24D 1/14 131/328
2015/0282524 A1 *	10/2015	Elhalwani	.....	A24F 47/008 131/329
2016/0029696 A1 *	2/2016	Obeidallah	.....	A24F 47/008 131/329

\* cited by examiner

*Primary Examiner* — Robert M Spear  
*Assistant Examiner* — Marissa J Cash  
(74) *Attorney, Agent, or Firm* — The Patel Law Firm, PC;  
Natu J. Patel

(56) **References Cited**

U.S. PATENT DOCUMENTS

D350,411 S *	9/1994	Heine	.....	D27/162
RE36,105 E *	2/1999	Newman	.....	D27/162
D539,978 S *	4/2007	Kassir	.....	D27/162
D547,489 S *	7/2007	Kassir	.....	D27/162
D547,902 S *	7/2007	Kassir	.....	D27/162
D548,398 S *	8/2007	Chaoui	.....	D27/162
D554,797 S *	11/2007	Kassir	.....	D27/162
D558,370 S *	12/2007	Mohammed	.....	D26/53
D558,919 S *	1/2008	Kassir	.....	D27/162
D561,388 S *	2/2008	Kassir	.....	D27/162
D679,052 S *	3/2013	Chaoui	.....	D27/162
D684,312 S *	6/2013	Badawi	.....	D27/162
D710,039 S *	7/2014	Schwenk	.....	D26/9
D740,462 S *	10/2015	Schwenk	.....	D26/9

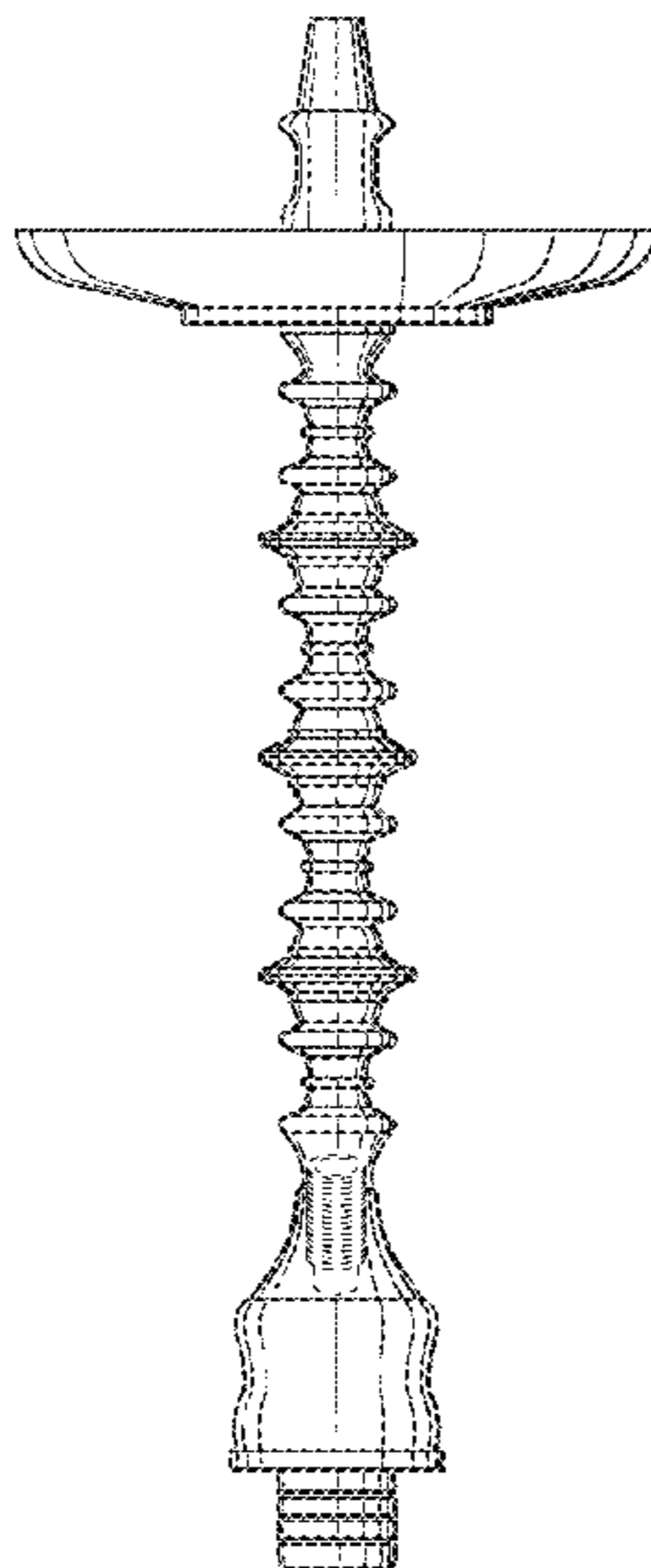
(57) **CLAIM**

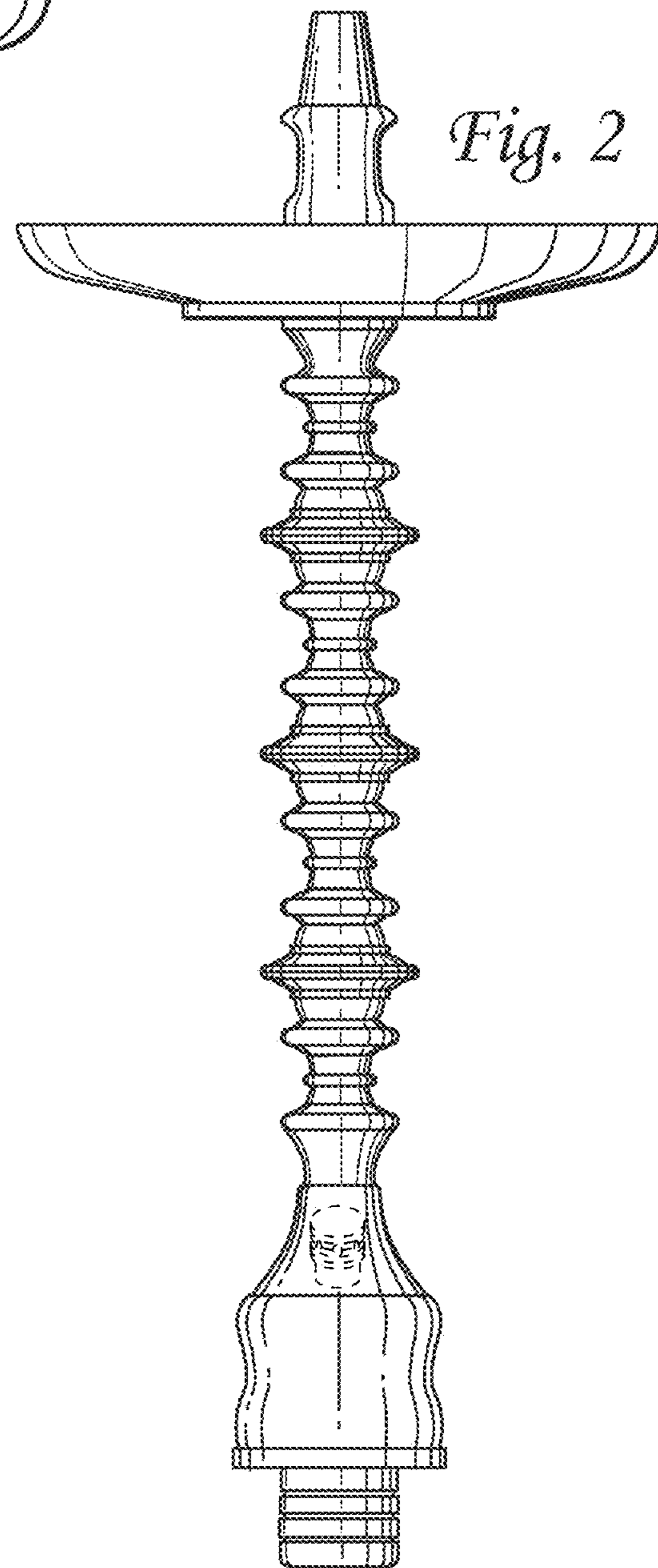
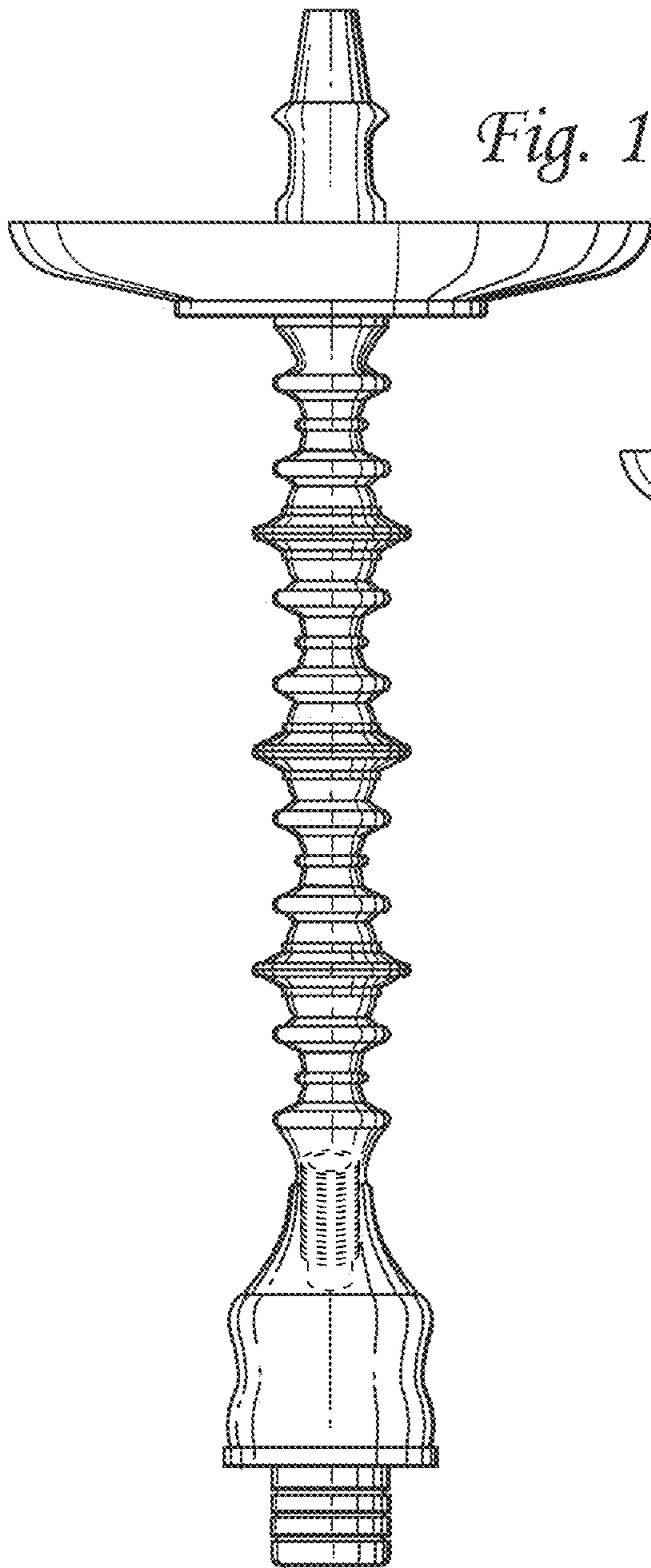
The ornamental design for a hookah, as shown and described.

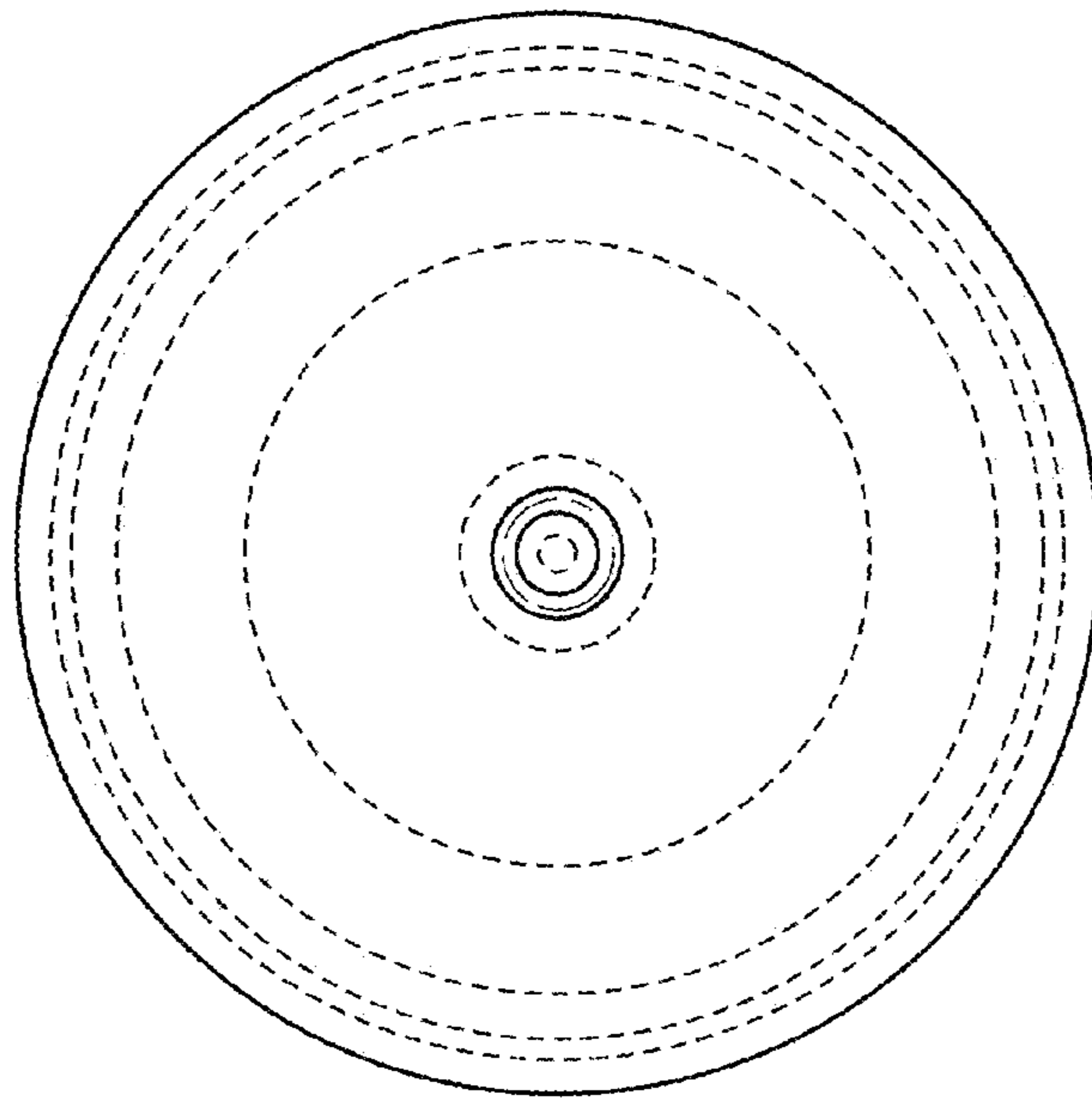
**DESCRIPTION**

FIG. 1 is a front perspective view according to an embodiment of the present invention.  
FIG. 2 is a back perspective view according to an embodiment of the present invention.  
FIG. 3 is a top view thereof; and,  
FIG. 4 is a bottom view thereof.  
The broken lines in the drawings represent unclaimed environmental subject matter and form no part of the claim.

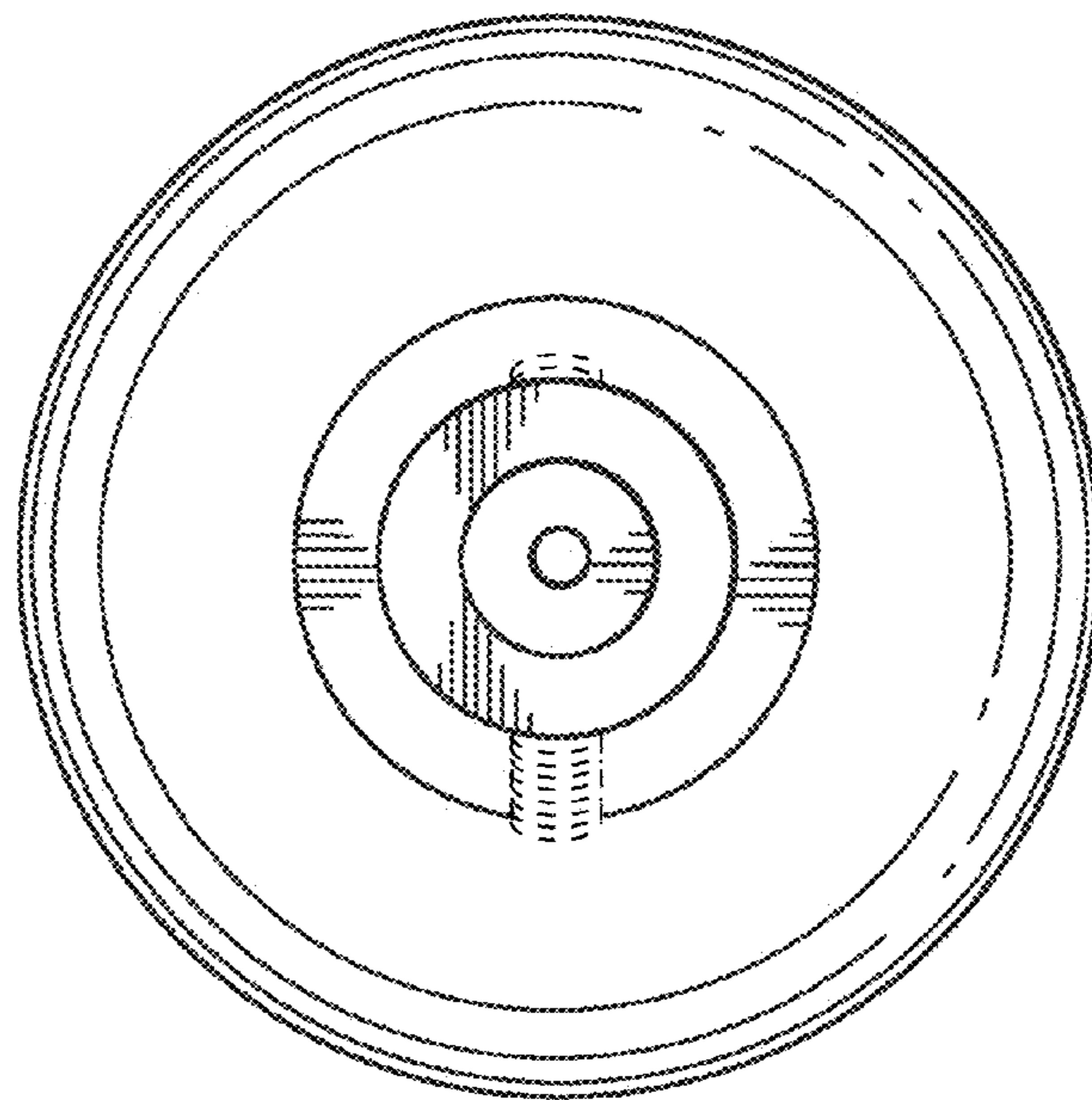
**1 Claim, 2 Drawing Sheets**







*Fig. 3*



*Fig. 4*

UNITED STATES PATENT AND TRADEMARK OFFICE  
**CERTIFICATE OF CORRECTION**

PATENT NO. : D757,999 S  
APPLICATION NO. : 29/487457  
DATED : May 31, 2016  
INVENTOR(S) : Wael Elhalwani

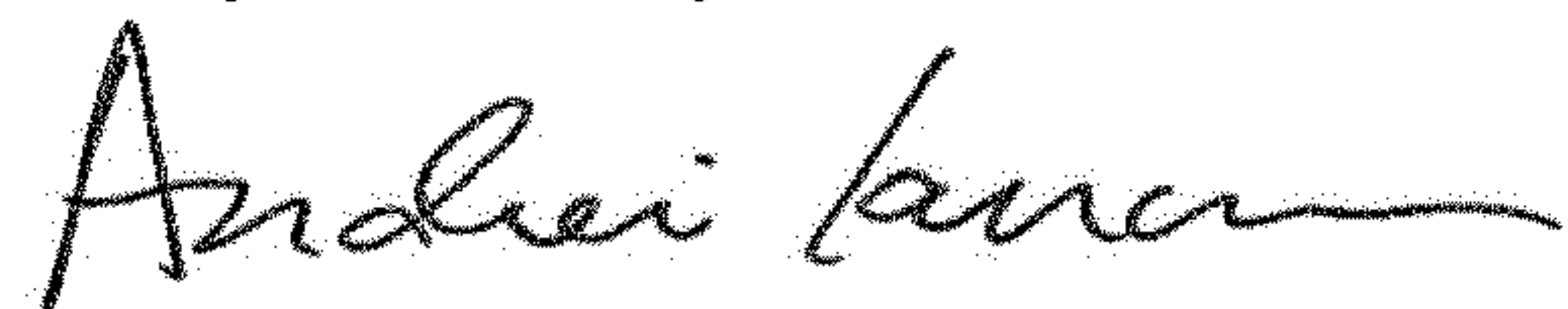
Page 1 of 1

It is certified that error appears in the above-identified patent and that said Letters Patent is hereby corrected as shown below:

On the Title Page

Item (22), filing date "November 12, 2015" should be corrected to --April 9, 2014--.

Signed and Sealed this  
Twenty-fifth Day of December, 2018



Andrei Iancu  
*Director of the United States Patent and Trademark Office*