

US00D757998S

(12) **United States Design Patent**  
**Elhalwani**

(10) **Patent No.:** **US D757,998 S**  
(45) **Date of Patent:** **\*\* May 31, 2016**

(54) **HOOKAH**  
(71) Applicant: **Wael Elhalwani**, Dubai (AE)  
(72) Inventor: **Wael Elhalwani**, Dubai (AE)  
(\*\*) Term: **14 Years**  
(21) Appl. No.: **29/487,456**  
(22) Filed: **Apr. 9, 2014**  
(51) **LOC (10) Cl.** ..... **27-02**  
(52) **U.S. Cl.**  
USPC ..... **D27/162**  
(58) **Field of Classification Search**  
USPC ..... D27/100, 103, 162, 163, 164, 167, 194;  
D26/9, 10, 53, 96; D23/360–363;  
D11/154–156  
CPC ..... A24F 47/008; A24F 1/30; A24F 47/002;  
A24F 1/00; A24F 1/28  
See application file for complete search history.

2006/0086364 A1\* 4/2006 Liu ..... A24F 1/30  
131/173  
2006/0207621 A1\* 9/2006 Shraiber ..... A24F 1/30  
131/348  
2007/0261194 A1\* 11/2007 Tannous ..... A24F 1/30  
15/330  
2011/0180080 A1\* 7/2011 Fares ..... A24F 47/00  
131/184.1  
2011/0308537 A1\* 12/2011 Khoury ..... A24F 5/10  
131/174  
2012/0180803 A1\* 7/2012 Beloni ..... A24F 1/30  
131/173  
2014/0130811 A1\* 5/2014 Touzjian ..... A24F 1/32  
131/173  
2015/0075544 A1\* 3/2015 Portz ..... A24D 1/14  
131/328  
2015/0282524 A1\* 10/2015 Elhalwani ..... A24F 47/008  
131/329  
2016/0029696 A1\* 2/2016 Obeidallah ..... A24F 47/008  
131/329

\* cited by examiner

*Primary Examiner* — Robert M Spear  
*Assistant Examiner* — Marissa J Cash  
(74) *Attorney, Agent, or Firm* — The Patel Law Firm, PC.;  
Natu J. Patel

(56) **References Cited**

U.S. PATENT DOCUMENTS

D350,411 S \* 9/1994 Heine ..... D27/162  
RE36,105 E \* 2/1999 Newman ..... D27/162  
D539,978 S \* 4/2007 Kassir ..... D27/162  
D547,489 S \* 7/2007 Kassir ..... D27/162  
D547,902 S \* 7/2007 Kassir ..... D27/162  
D548,398 S \* 8/2007 Chaoui ..... D27/162  
D554,797 S \* 11/2007 Kassir ..... D27/162  
D558,370 S \* 12/2007 Mohammed ..... D26/53  
D558,919 S \* 1/2008 Kassir ..... D27/162  
D561,388 S \* 2/2008 Kassir ..... D27/162  
D584,853 S \* 1/2009 Kassir ..... D27/162  
D679,052 S \* 3/2013 Chaoui ..... D27/162  
D684,312 S \* 6/2013 Badawi ..... D27/162  
D710,039 S \* 7/2014 Schwenk ..... D26/9  
D740,462 S \* 10/2015 Schwenk ..... D26/9  
D742,587 S \* 11/2015 Masri ..... D27/162

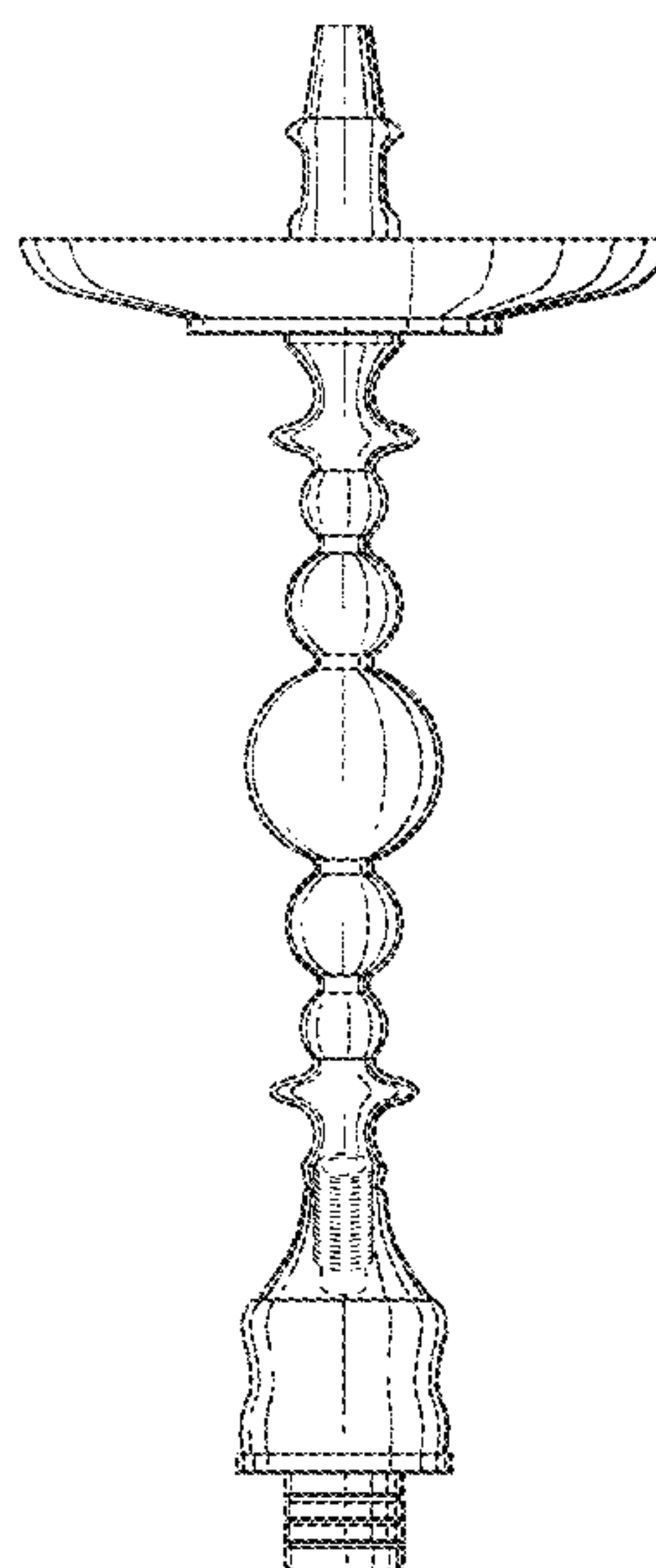
(57) **CLAIM**

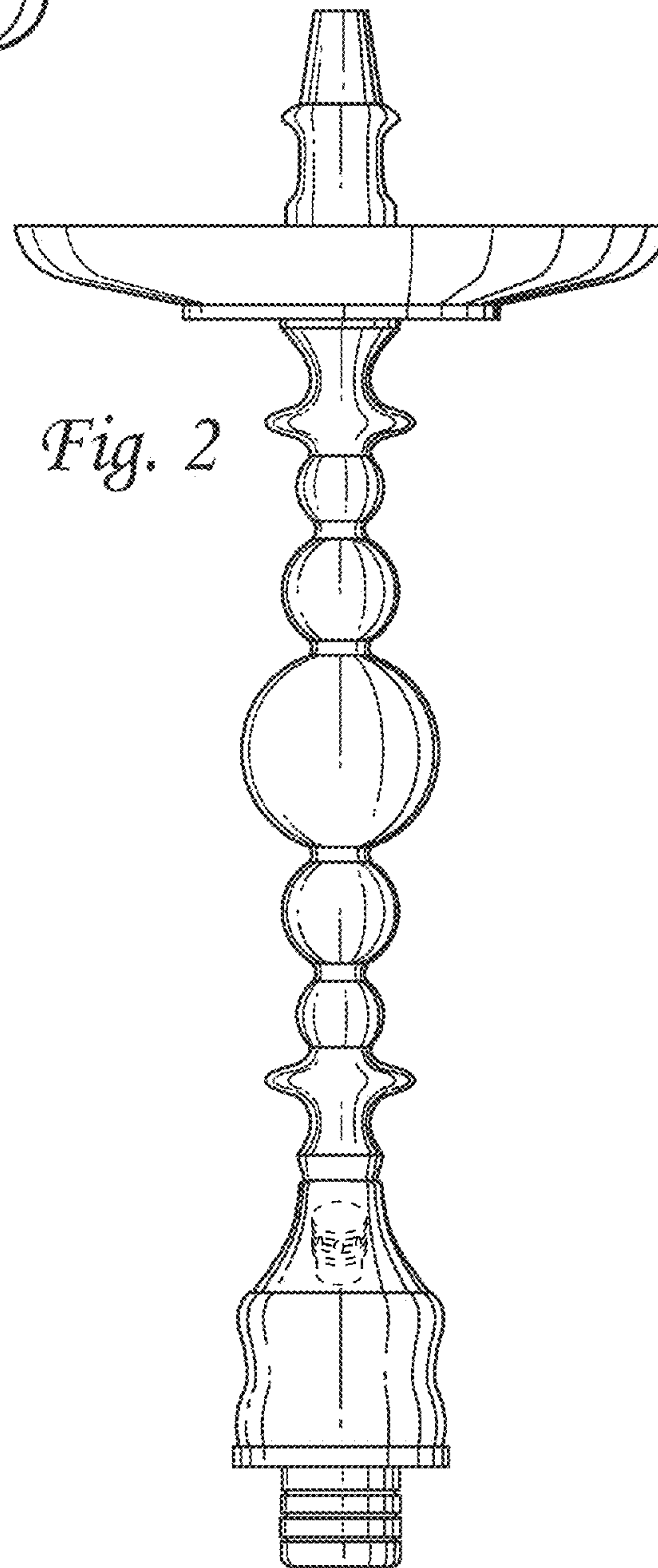
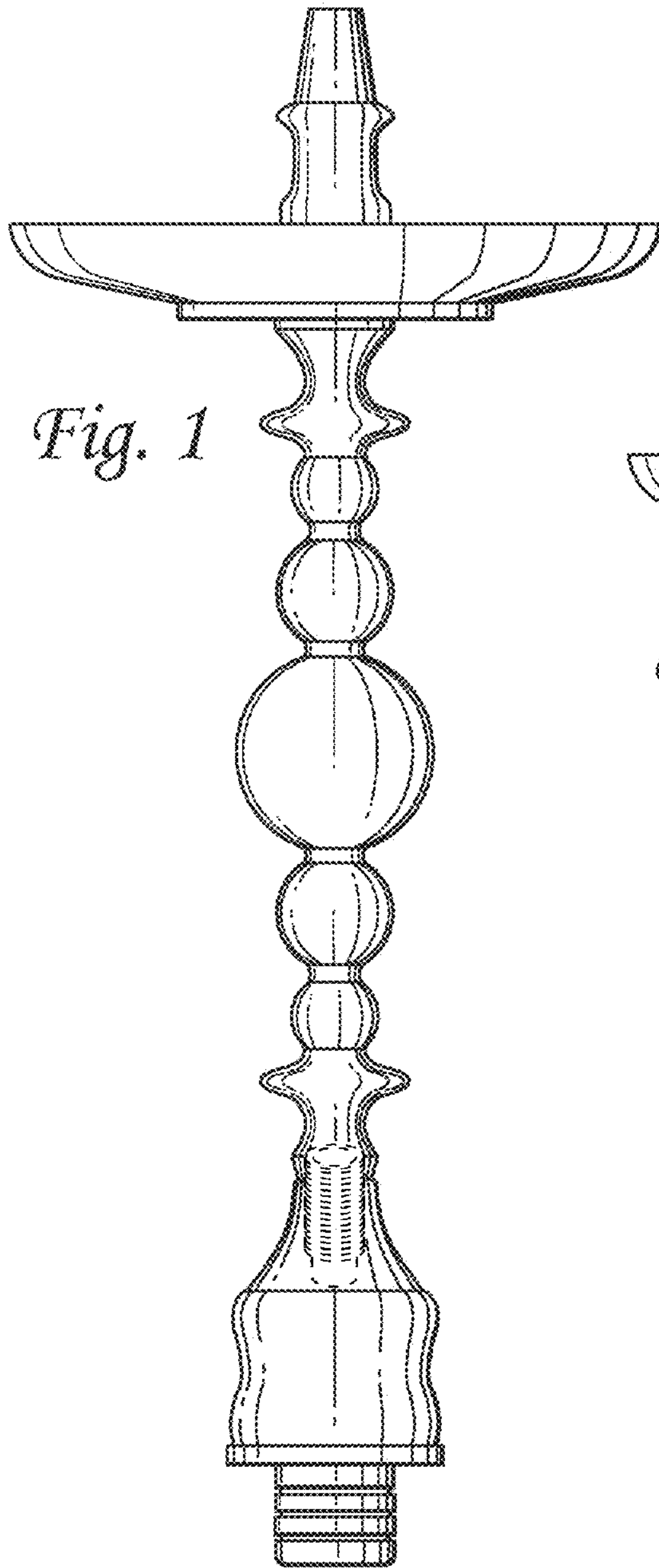
The ornamental design for a hookah, as shown and described.

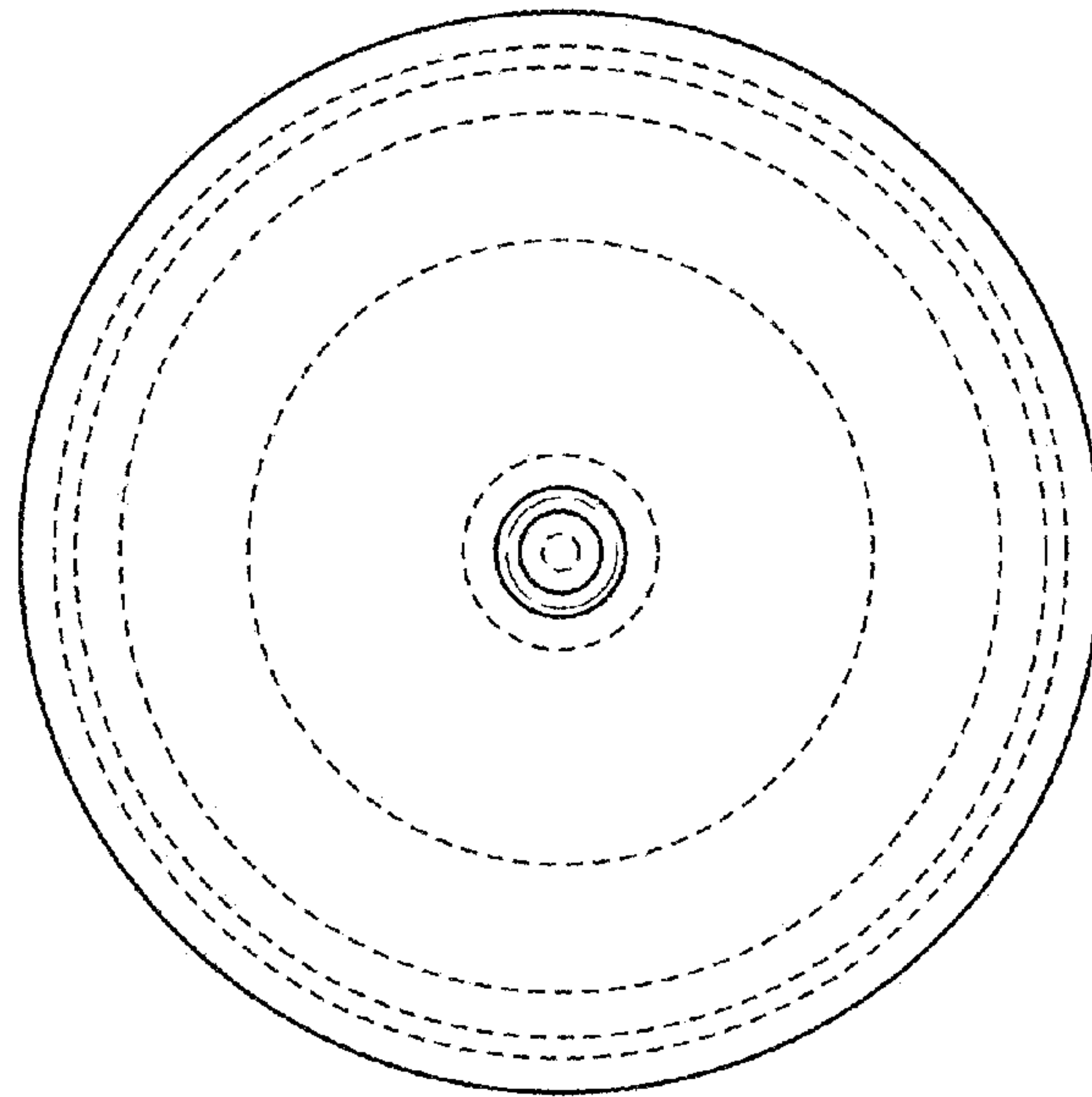
**DESCRIPTION**

FIG. 1 is a front perspective view according to an embodiment of the present invention.  
FIG. 2 is a back perspective view according to an embodiment of the present invention.  
FIG. 3 is a top view thereof; and,  
FIG. 4 is a bottom view thereof.  
The broken lines in the drawings represent unclaimed environmental subject matter and form no part of the claim.

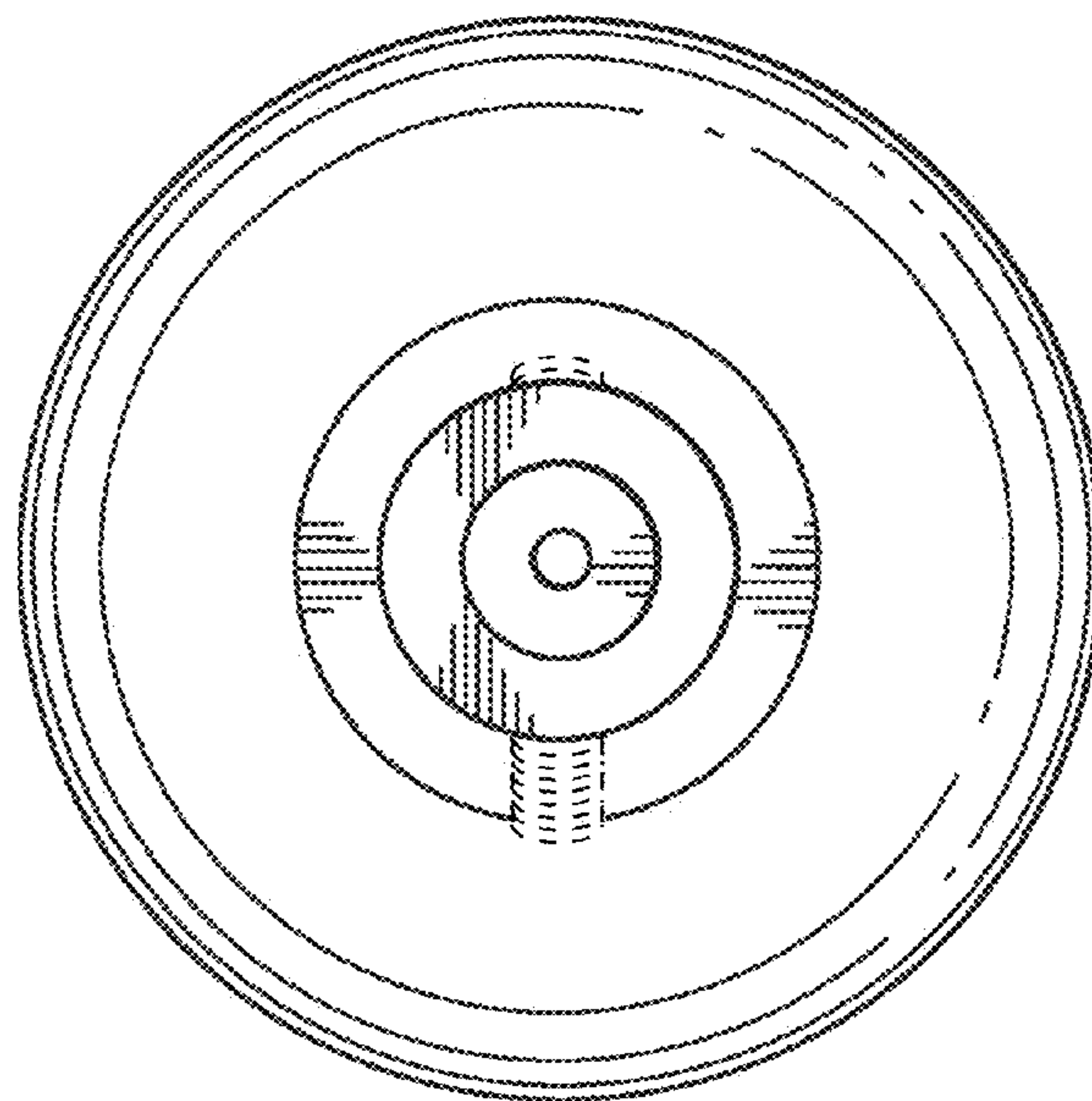
**1 Claim, 2 Drawing Sheets**







*Fig. 3*



*Fig. 4*