



US00D757997S

(12) **United States Design Patent**
Elhalwani

(10) **Patent No.:** **US D757,997 S**
(45) **Date of Patent:** **** May 31, 2016**

(54) **HOOKAH**
(71) Applicant: **Wael Elhalwani**, Dubai (AE)
(72) Inventor: **Wael Elhalwani**, Dubai (AE)
(**) Term: **15 Years**
(21) Appl. No.: **29/487,455**
(22) Filed: **Nov. 12, 2015**
(51) **LOC (10) Cl.** **27-02**
(52) **U.S. Cl.**
USPC **D27/162**
(58) **Field of Classification Search**
USPC D27/100, 103, 162, 163, 164, 167, 194;
D26/9, 10, 53, 96; D23/360–363;
D11/154–156
CPC A24F 47/008; A24F 1/30; A24F 47/002;
A24F 1/00; A24F 1/28
See application file for complete search history.

2006/0086364 A1* 4/2006 Liu A24F 1/30
131/173
2006/0207621 A1* 9/2006 Shraiber A24F 1/30
131/348
2007/0261194 A1* 11/2007 Tannous A24F 1/30
15/330
2011/0180080 A1* 7/2011 Fares A24F 47/00
131/184.1
2011/0308537 A1* 12/2011 Khoury A24F 5/10
131/174
2012/0180803 A1* 7/2012 Beloni A24F 1/30
131/173
2014/0130811 A1* 5/2014 Touzjian A24F 1/32
131/173
2015/0075544 A1* 3/2015 Portz A24D 1/14
131/328
2015/0282524 A1* 10/2015 Elhalwani A24F 47/008
131/329
2016/0029696 A1* 2/2016 Obeidallah A24F 47/008
131/329

* cited by examiner

Primary Examiner — Robert M Spear
Assistant Examiner — Marissa J Cash
(74) *Attorney, Agent, or Firm* — The Patel Law Firm, PC;
Natu J. Patel

(56) **References Cited**

U.S. PATENT DOCUMENTS

D350,411 S * 9/1994 Heine D27/162
RE36,105 E * 2/1999 Newman D27/162
D539,978 S * 4/2007 Kassir D27/162
D547,489 S * 7/2007 Kassir D27/162
D547,902 S * 7/2007 Kassir D27/162
D548,398 S * 8/2007 Chaoui D27/162
D554,797 S * 11/2007 Kassir D27/162
D558,370 S * 12/2007 Mohammed D26/53
D558,919 S * 1/2008 Kassir D27/162
D561,388 S * 2/2008 Kassir D27/162
D679,052 S * 3/2013 Chaoui D27/162
D684,312 S * 6/2013 Badawi D27/162
D710,039 S * 7/2014 Schwenk D26/9
D740,462 S * 10/2015 Schwenk D26/9
D742,587 S * 11/2015 Masri D27/162

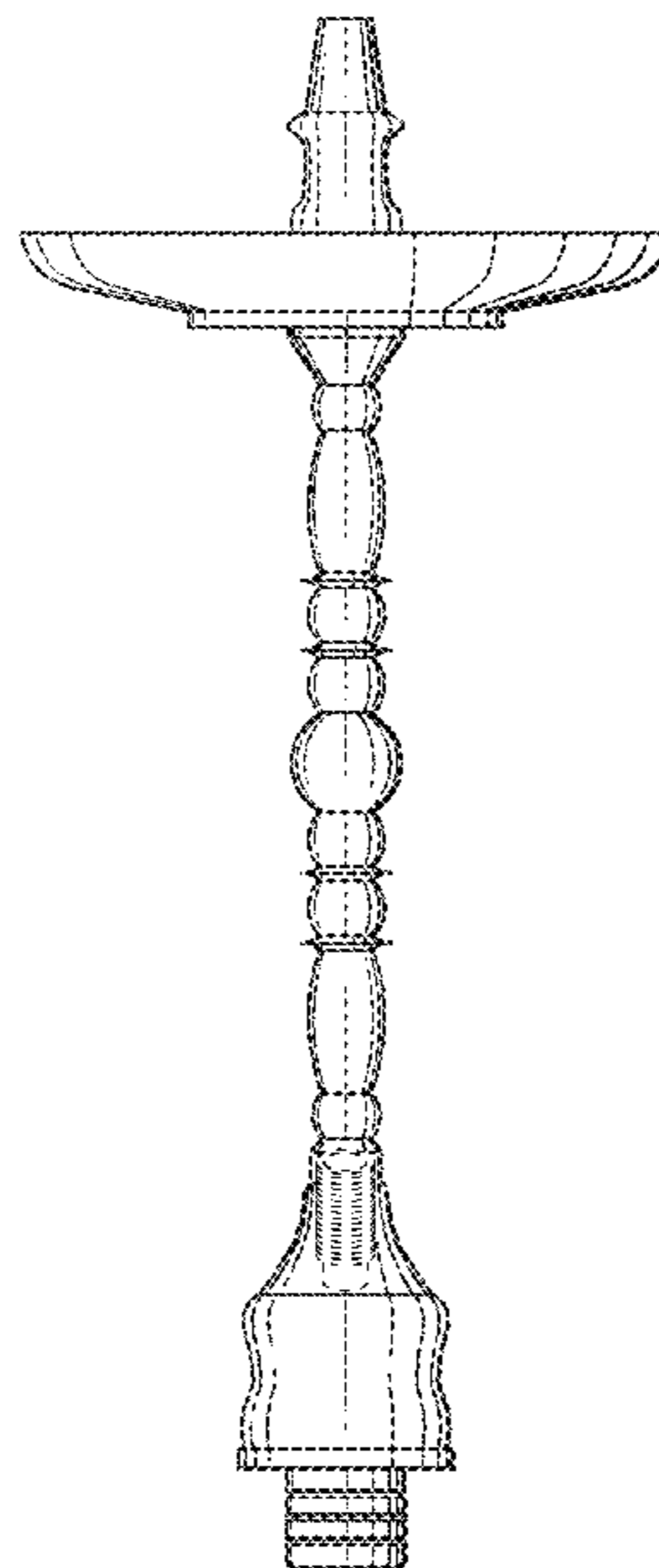
(57) **CLAIM**

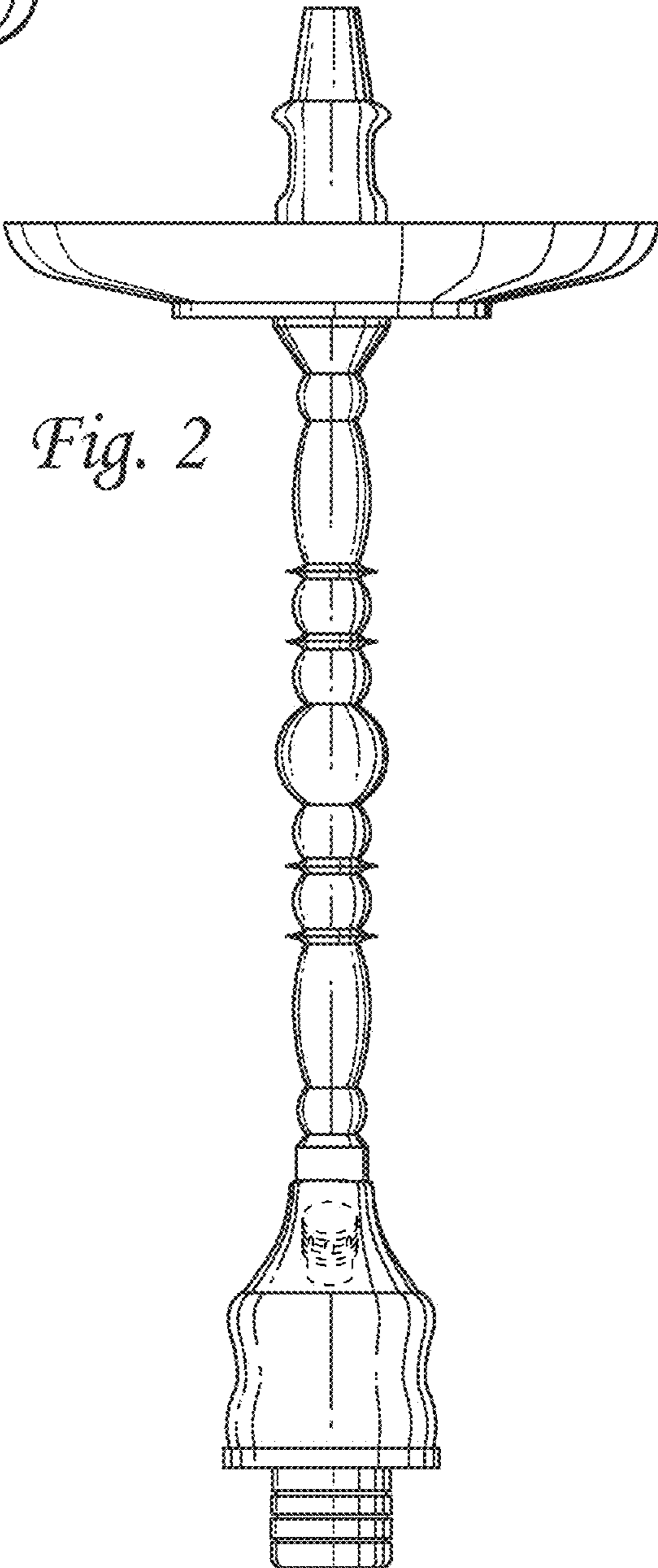
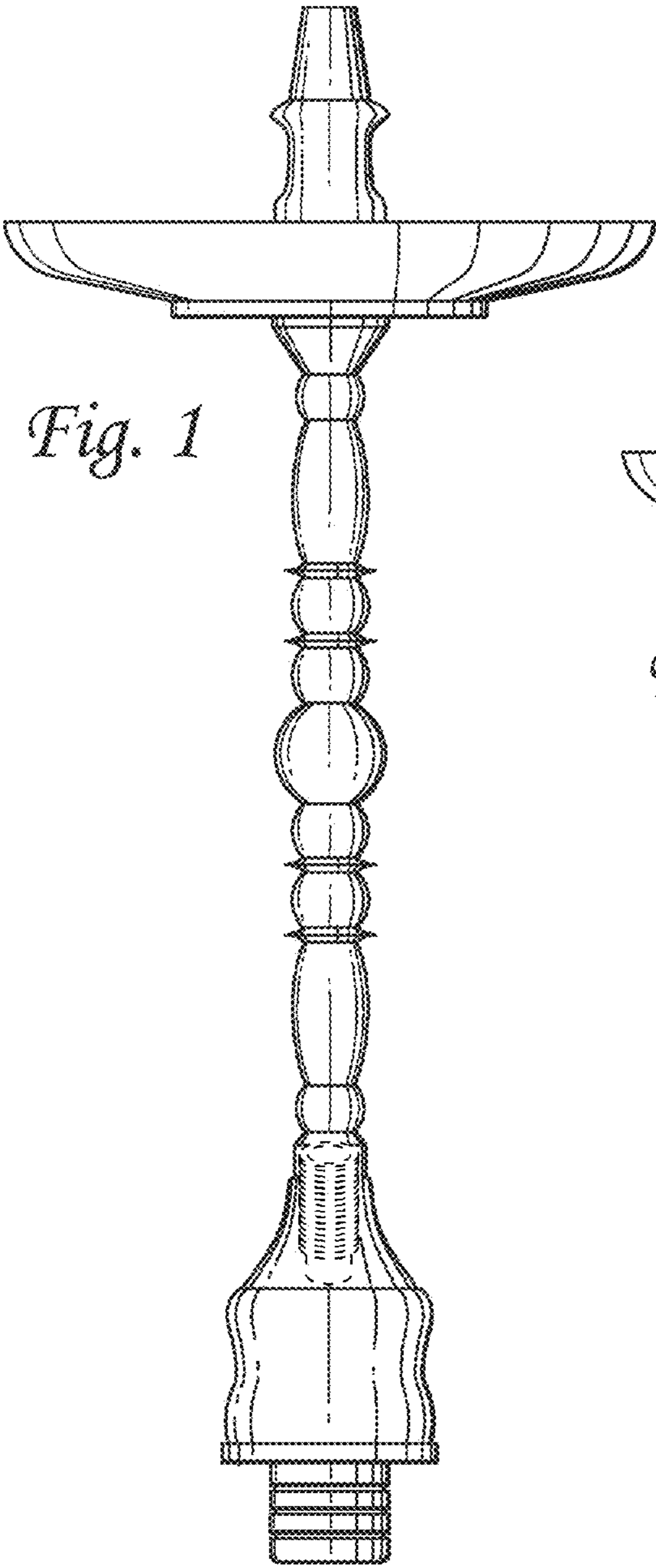
The ornamental design for a hookah, as shown and described.

DESCRIPTION

FIG. 1 is a front perspective view according to an embodiment of the present invention.
FIG. 2 is a back perspective view according to an embodiment of the present invention.
FIG. 3 is a top view thereof; and,
FIG. 4 is a bottom view thereof.
The broken lines in the drawings represent unclaimed environmental subject matter and form no part of the claim.

1 Claim, 2 Drawing Sheets





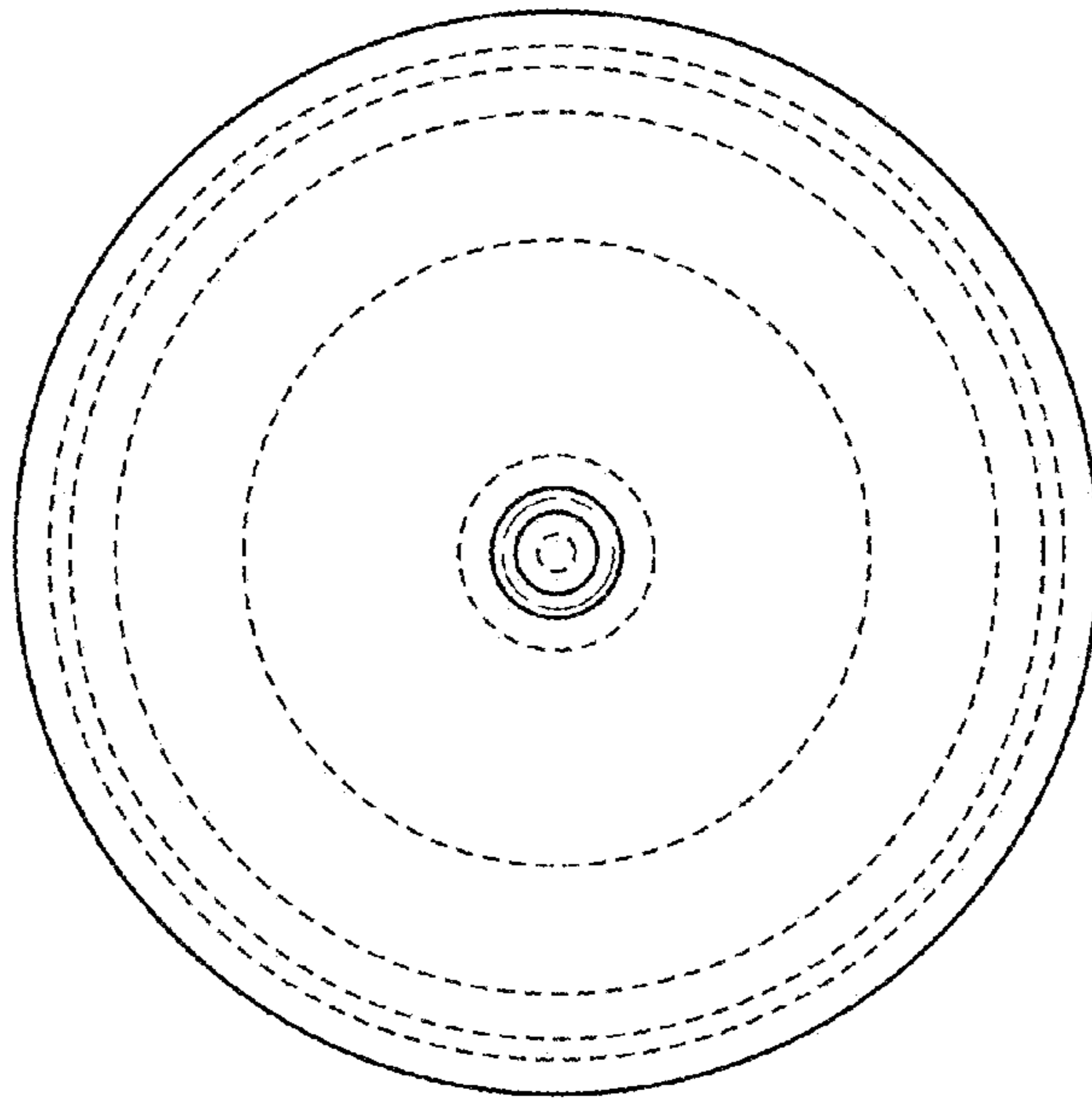


Fig. 3

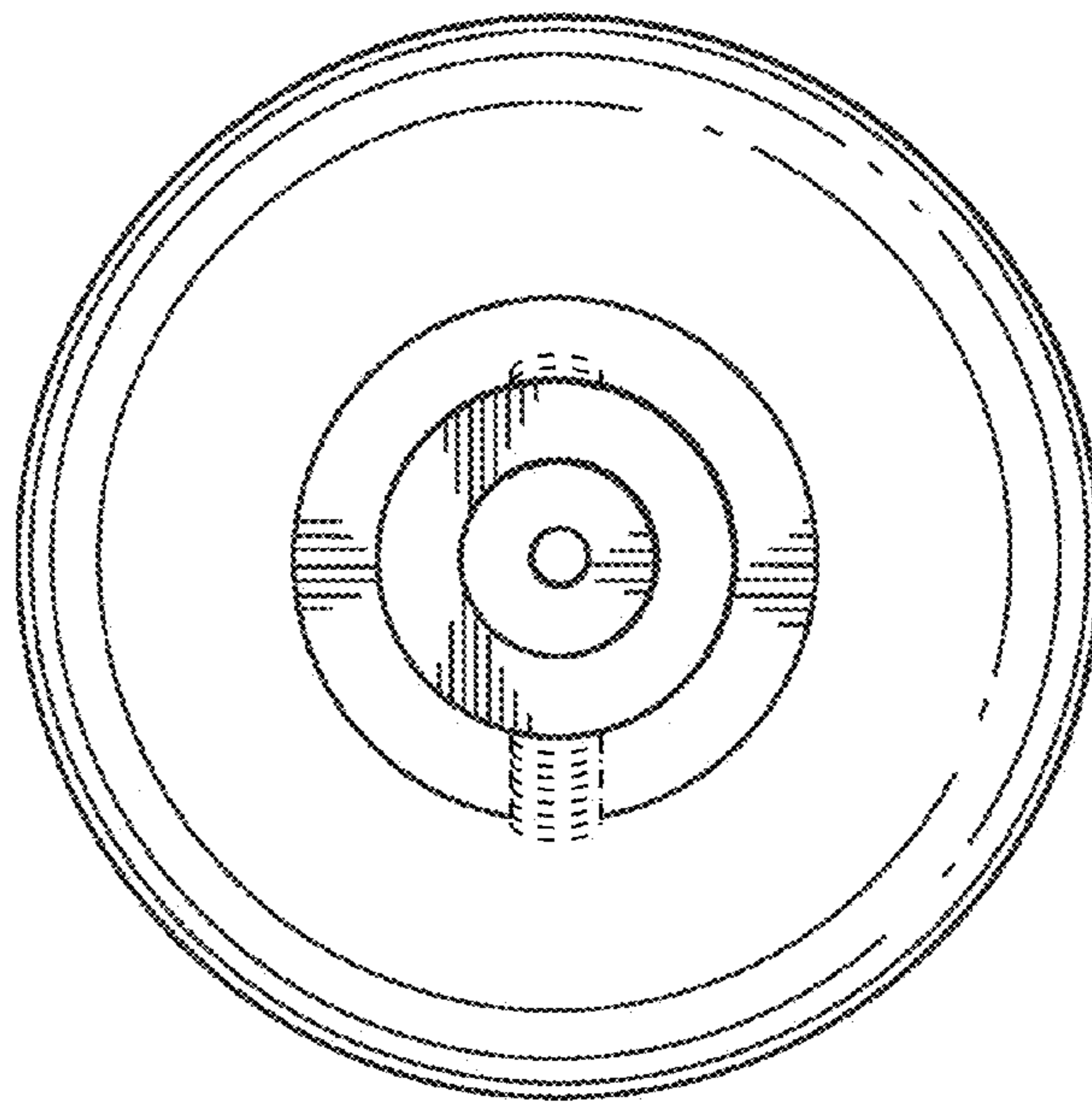


Fig. 4

UNITED STATES PATENT AND TRADEMARK OFFICE
CERTIFICATE OF CORRECTION

PATENT NO. : D757,997 S
APPLICATION NO. : 29/487455
DATED : May 31, 2016
INVENTOR(S) : Wael Elhalwani

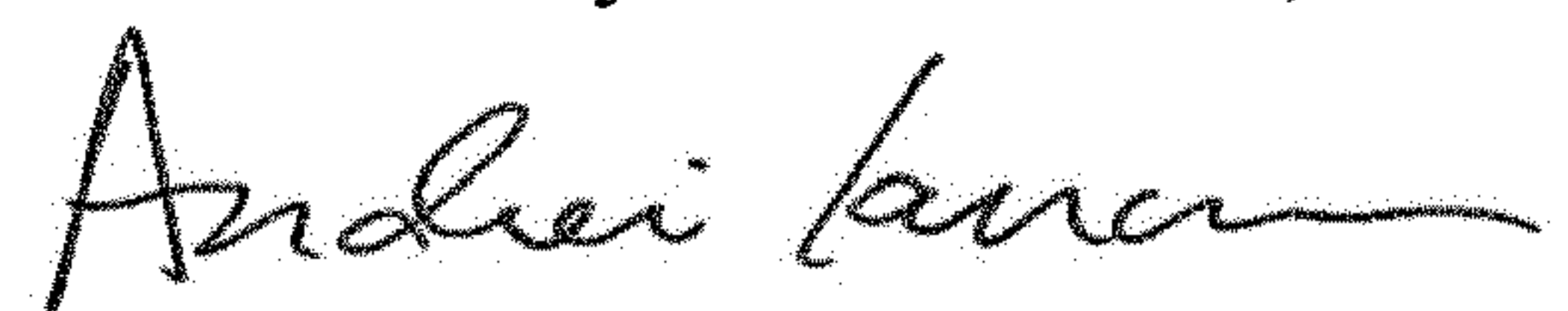
Page 1 of 1

It is certified that error appears in the above-identified patent and that said Letters Patent is hereby corrected as shown below:

On the Title Page

Item (22), filing date "November 12, 2015" should be corrected to --April 9, 2014--.

Signed and Sealed this
Eleventh Day of December, 2018



Andrei Iancu
Director of the United States Patent and Trademark Office