

US00D757995S

(12) **United States Design Patent**
Liu

(10) **Patent No.:** **US D757,995 S**
(45) **Date of Patent:** **** May 31, 2016**

(54) **ELECTRONIC CIGARETTE**

(71) Applicant: **Qiuming Liu**, Shenzhen (CN)

(72) Inventor: **Qiuming Liu**, Shenzhen (CN)

(73) Assignee: **KIMREE HI-TECH INC.**, Roadtown,
Tortola (VG)

(**) Term: **14 Years**

(21) Appl. No.: **29/487,529**

(22) Filed: **Apr. 9, 2014**

(30) **Foreign Application Priority Data**

Mar. 7, 2014 (CN) 2014 3 0044381

(51) **LOC (10) Cl.** **27-01**

(52) **U.S. Cl.**
USPC **D27/101**

(58) **Field of Classification Search**

USPC D27/100, 101, 128, 162, 163, 170, 194;
131/270, 273, 330, 348; 392/386;
446/24

CPC A24F 5/00; A24F 1/00; A24F 1/02;
A24F 1/04; A24F 1/06; A24F 1/08; A24F
1/10; A24F 1/12; A24F 1/14; A24F 1/16;
A24F 1/18; A24F 1/20; A24F 1/22; A24F
1/24; A24F 5/02; A24F 5/04; A24F 5/06;
A24F 5/10

See application file for complete search history.

(56) **References Cited**

U.S. PATENT DOCUMENTS

868,496 A * 10/1907 Shoner A24F 1/24
131/193

(Continued)

Primary Examiner — Rosemary K Tarcza

Assistant Examiner — Christy Nemeth

(74) *Attorney, Agent, or Firm* — Ohlandt, Greeley, Ruggiero
& Perle, L.L.P.

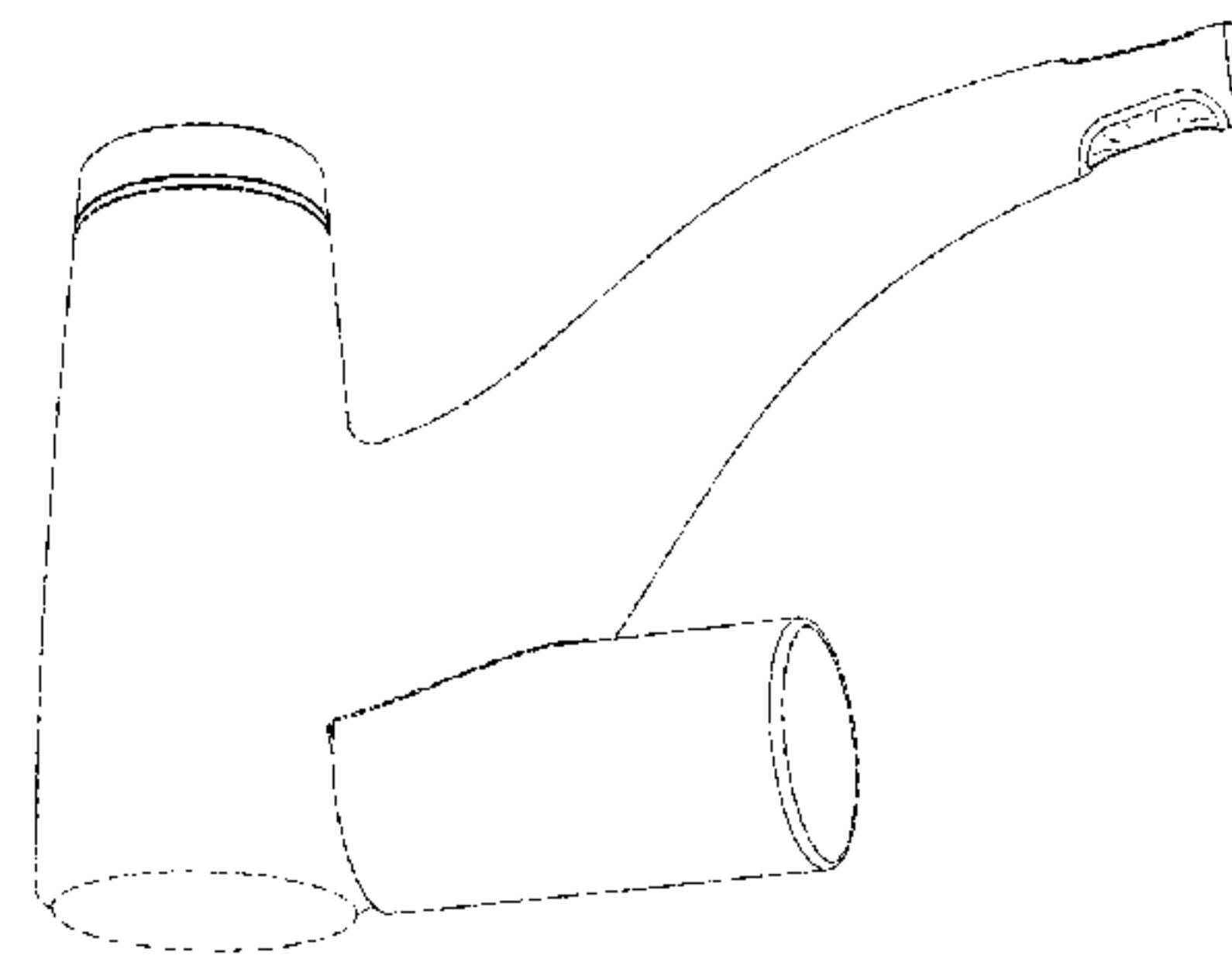
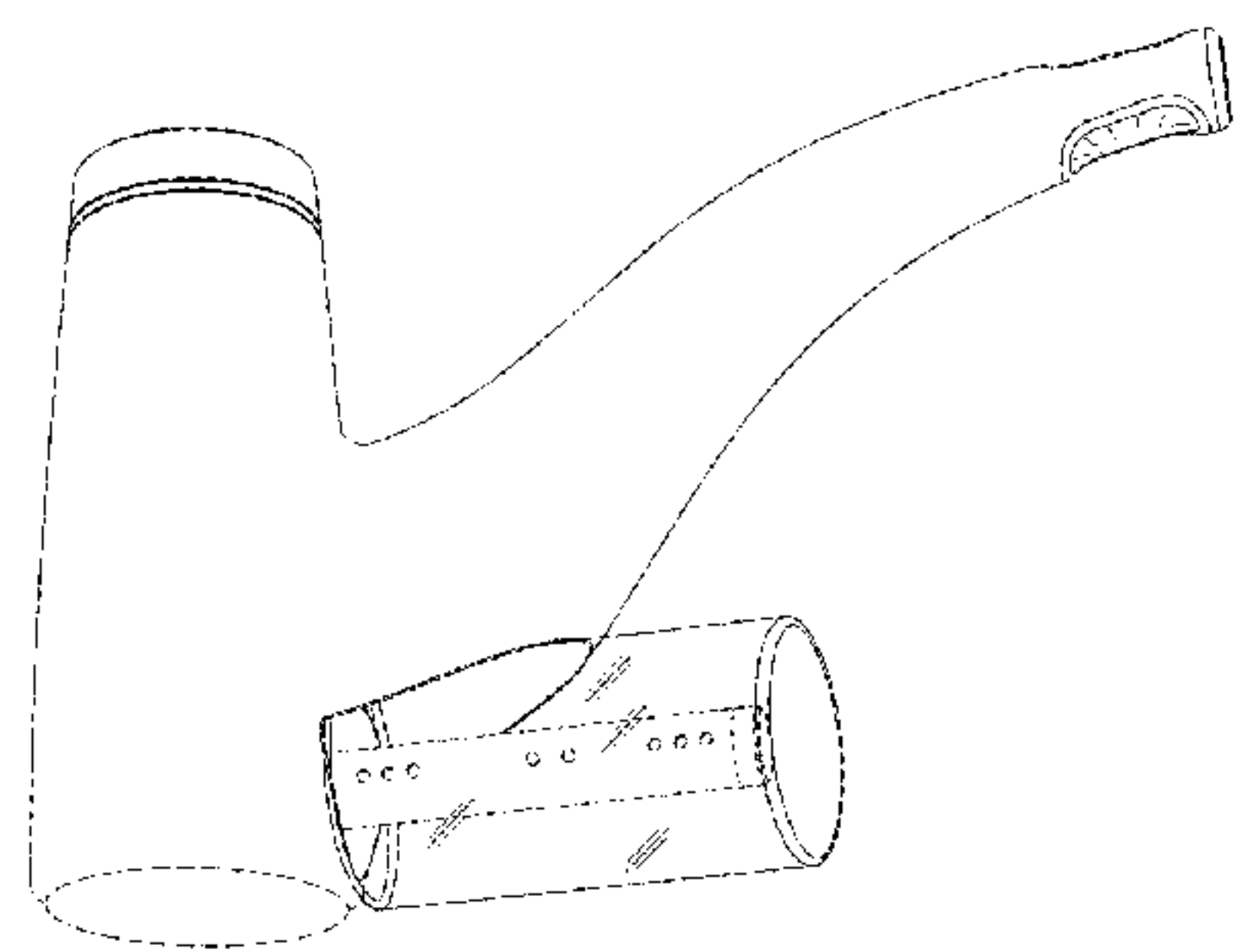
(57) **CLAIM**

The ornamental design for an electronic cigarette, as shown
and described.

DESCRIPTION

FIG. 1 is a front view of an electronic cigarette according to a
first design of the present application;
FIG. 2 is a rear view of the electronic cigarette according to
the first design of the present application;
FIG. 3 is a left view of the electronic cigarette according to the
first design of the present application;
FIG. 4 is a right view of the electronic cigarette according to
the first design of the present application;
FIG. 5 is a top view of the electronic cigarette according to the
first design of the present application;
FIG. 6 is a bottom view of the electronic cigarette according
to the first design of the present application;
FIG. 7 is a perspective view of the electronic cigarette accord-
ing to the first design of the present application;
FIG. 8 is a front view of an electronic cigarette according to a
second design of the present application;
FIG. 9 is a rear view of the electronic cigarette according to
the second design of the present application;
FIG. 10 is a left view of the electronic cigarette according to
the second design of the present application;
FIG. 11 is a right view of the electronic cigarette according to
the second design of the present application;
FIG. 12 is a top view of the electronic cigarette according to
the second design of the present application;
FIG. 13 is a bottom view of the electronic cigarette according
to the second design of the present application; and,
FIG. 14 is a perspective view of the electronic cigarette
according to the second design of the present application.
The broken lines shown in the drawings are included for the
purpose of illustrating environmental structure and form no
part of the claimed design.

1 Claim, 14 Drawing Sheets



(56)

References Cited

U.S. PATENT DOCUMENTS

1,356,736 A *	10/1920	Prophet	A24F 1/08 131/196	4,275,747 A *	6/1981	Miller	A24F 1/22 131/195
1,677,946 A *	7/1928	Badler	A24F 1/00 131/179	4,478,228 A *	10/1984	Chister	A24F 3/02 131/180
1,978,393 A *	10/1934	Dickinson	A24F 5/06 131/220	4,870,979 A *	10/1989	Browning	A24F 5/06 131/196
2,138,322 A *	11/1938	Douglas	A24F 1/00 131/196	D304,771 S *	11/1989	Katayama	D27/163
2,216,087 A *	9/1940	Mochizuki	A24F 1/16 131/176	D653,803 S *	2/2012	Timmermans	D27/163
2,300,800 A *	11/1942	Owen	A24F 1/16 131/207	D684,313 S *	6/2013	Wu	D27/164
2,586,965 A *	2/1952	Kunda	A24F 3/02 131/183	D720,881 S *	1/2015	Liu	D27/101
2,612,173 A *	9/1952	Gustafson	A24F 1/22 131/184.3	D724,780 S *	3/2015	Wu	D27/101
2,690,753 A *	10/1954	Jackson	A24F 1/30 131/173	D724,782 S *	3/2015	Wu	D27/101
2,775,971 A *	1/1957	Foreman	A24F 1/06 131/207	D728,155 S *	4/2015	Liu	D27/101
3,351,067 A *	11/1967	Lowenthal	A24F 1/02 131/184.1	D730,571 S *	5/2015	Chen	D27/101
3,474,793 A *	10/1969	Jones	A24F 5/04 131/186	2003/0079755 A1 *	5/2003	Liu	A24F 7/04 131/342
4,020,853 A *	5/1977	Nuttall	A24F 1/22 131/195	2004/0173223 A1 *	9/2004	Hu	A24F 5/06 131/226
4,235,252 A *	11/1980	Bianchino	A24F 1/24 131/176	2010/0006113 A1 *	1/2010	Urtsev	A24F 47/008 131/273
				2011/0036363 A1 *	2/2011	Urtsev	A24F 47/002 131/273
				2013/0068239 A1 *	3/2013	Youn	A24F 47/008 131/273
				2015/0090253 A1 *	4/2015	Farrow	A24F 47/008 128/200.14
				2015/0189916 A1 *	7/2015	Wu	A24F 47/008 219/510
				2015/0189918 A1 *	7/2015	Liu	H05B 3/03 131/329
				2015/0189919 A1 *	7/2015	Liu	A24F 47/008 131/329

* cited by examiner

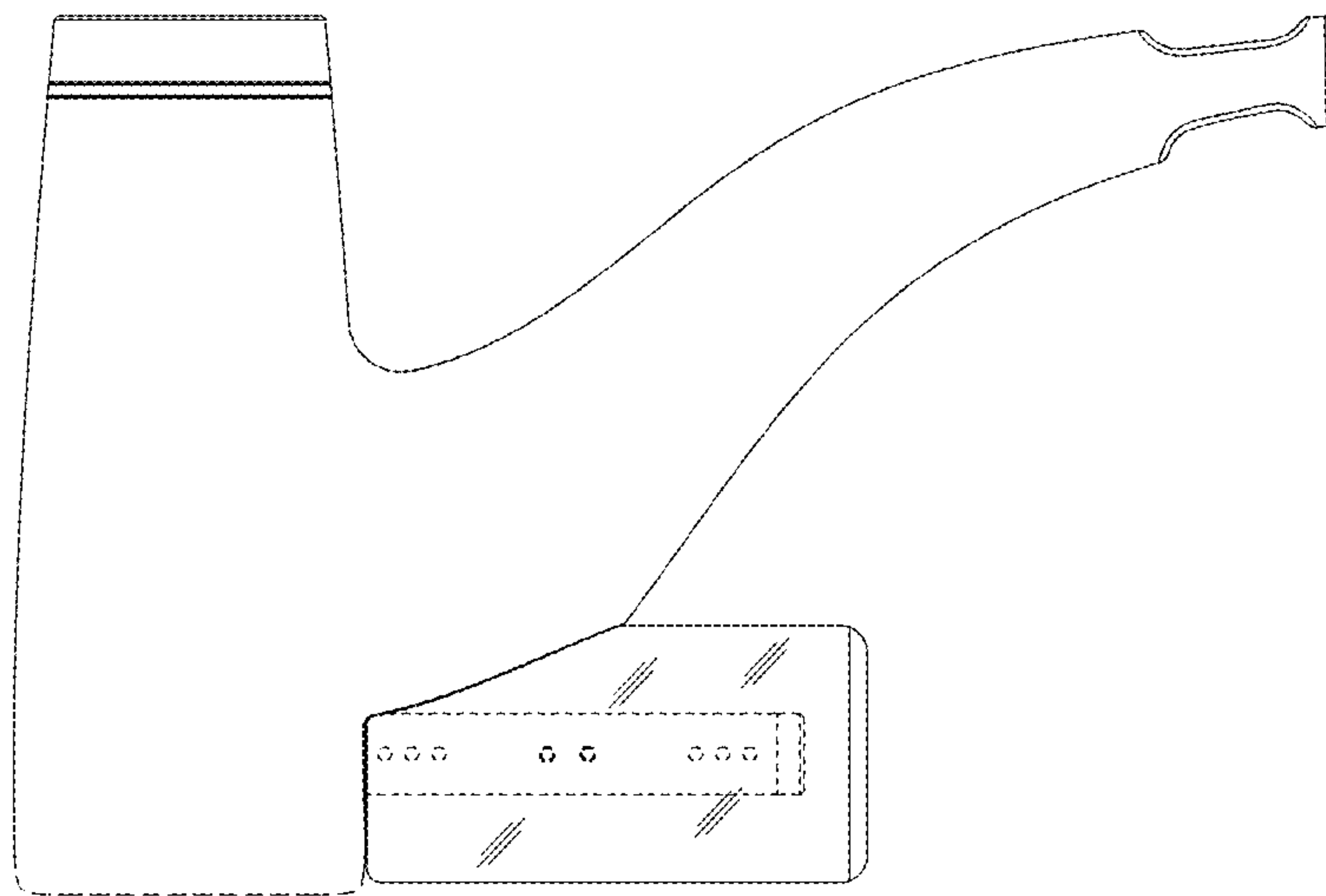


FIG. 1

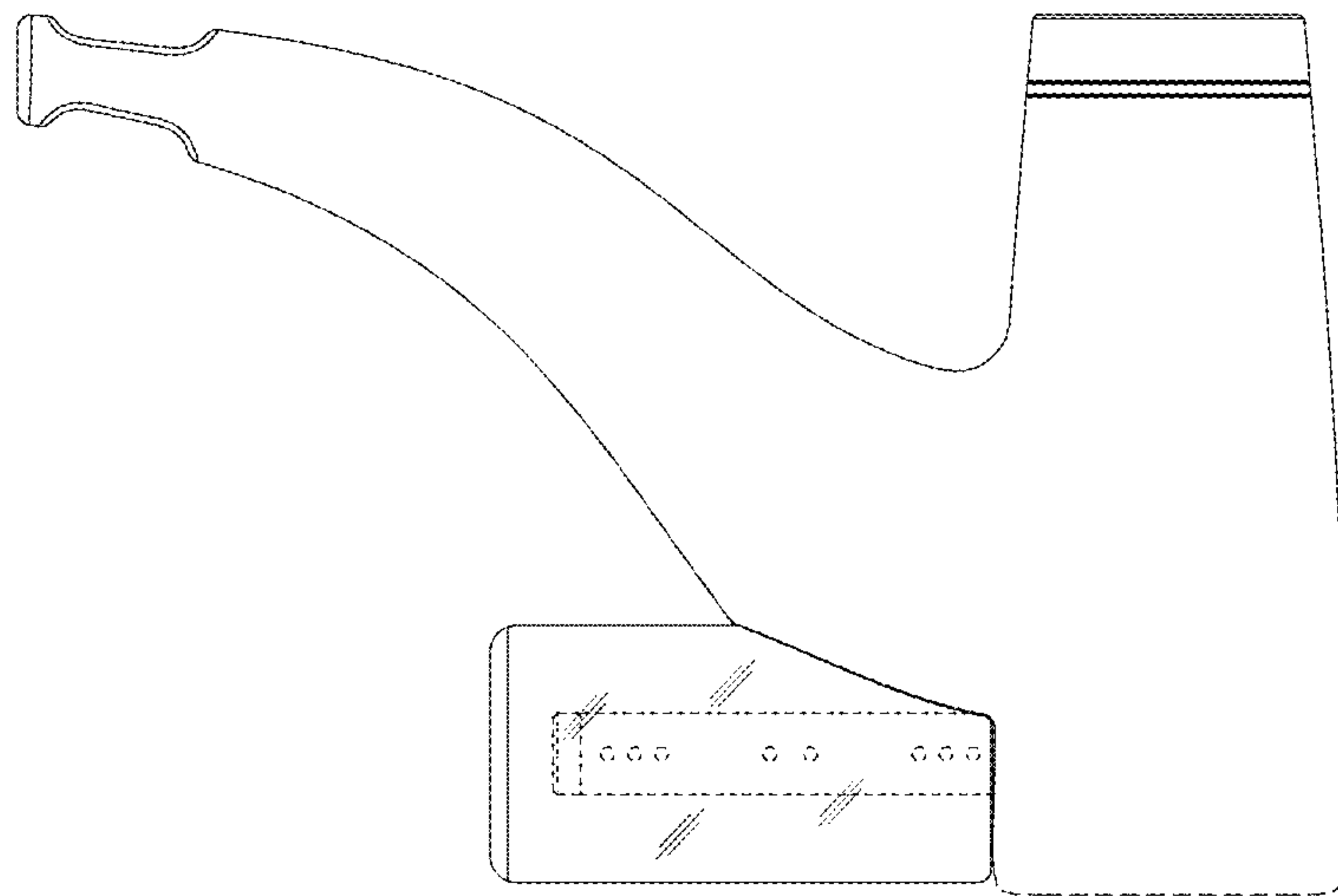


FIG. 2

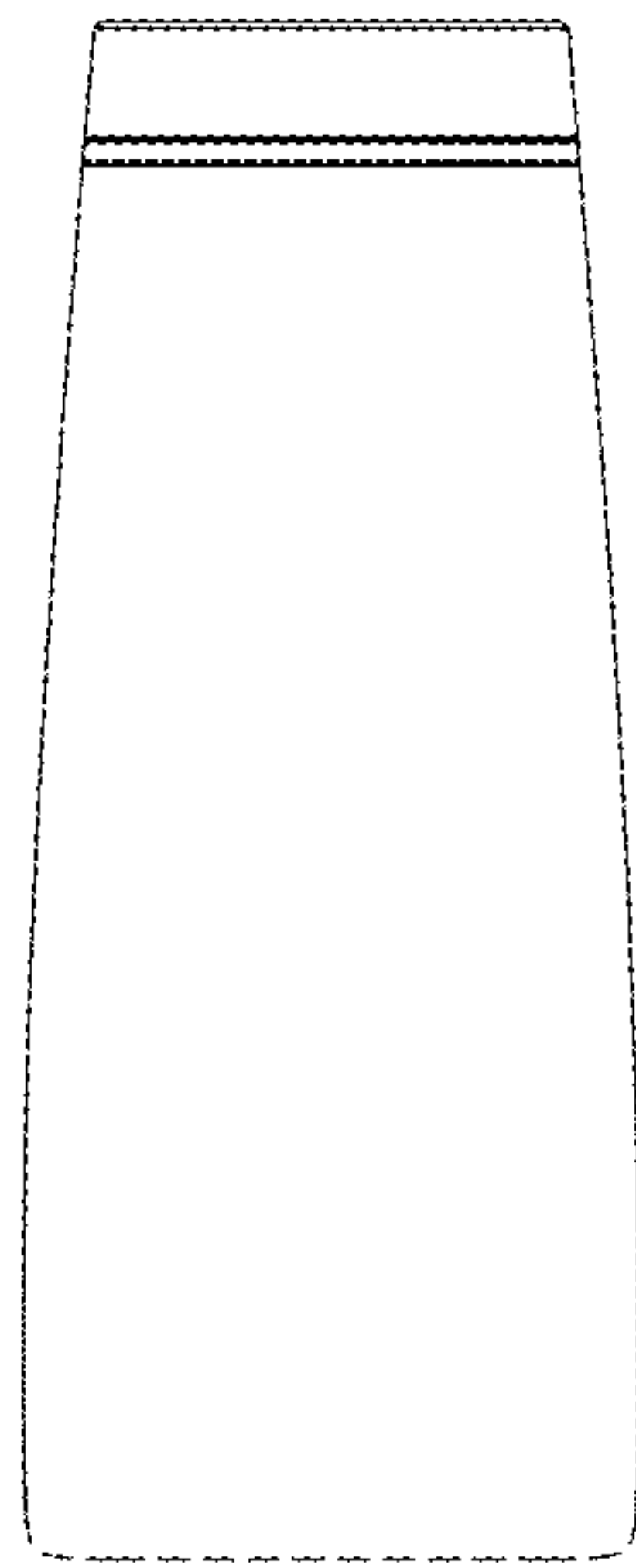


FIG. 3

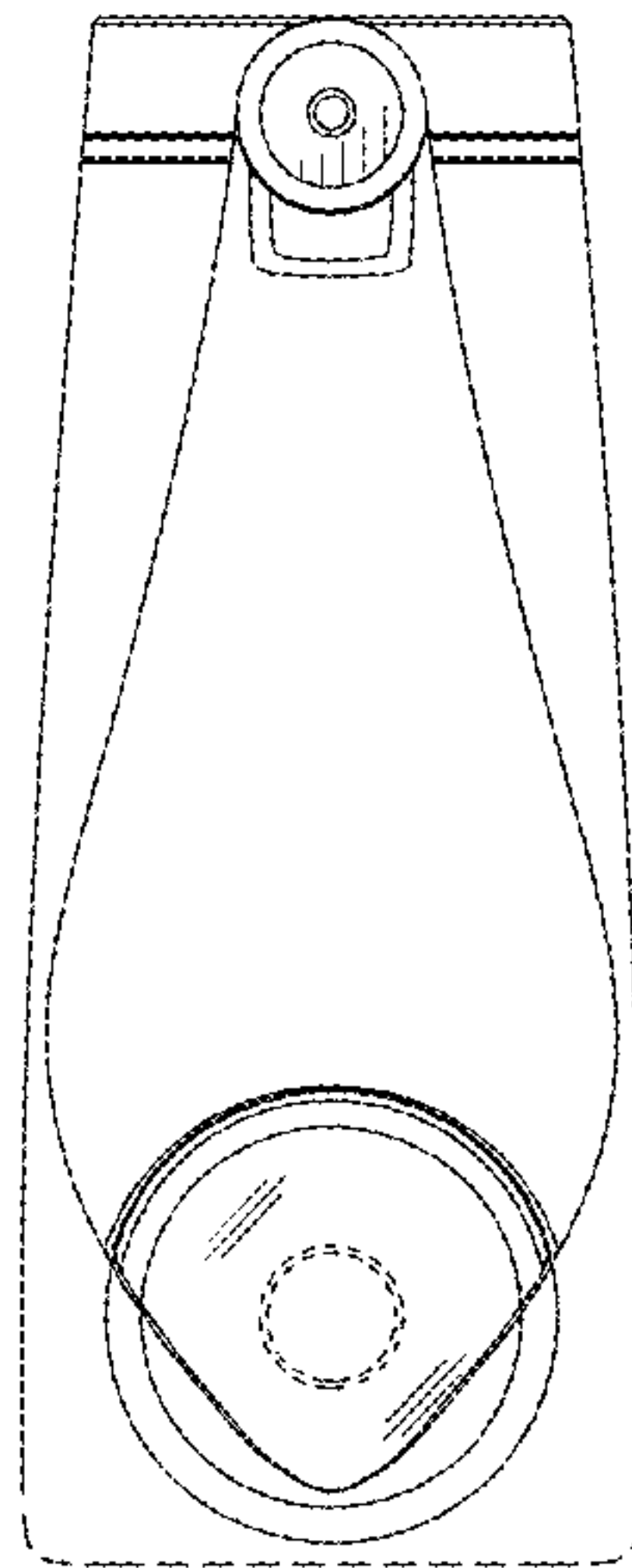


FIG. 4

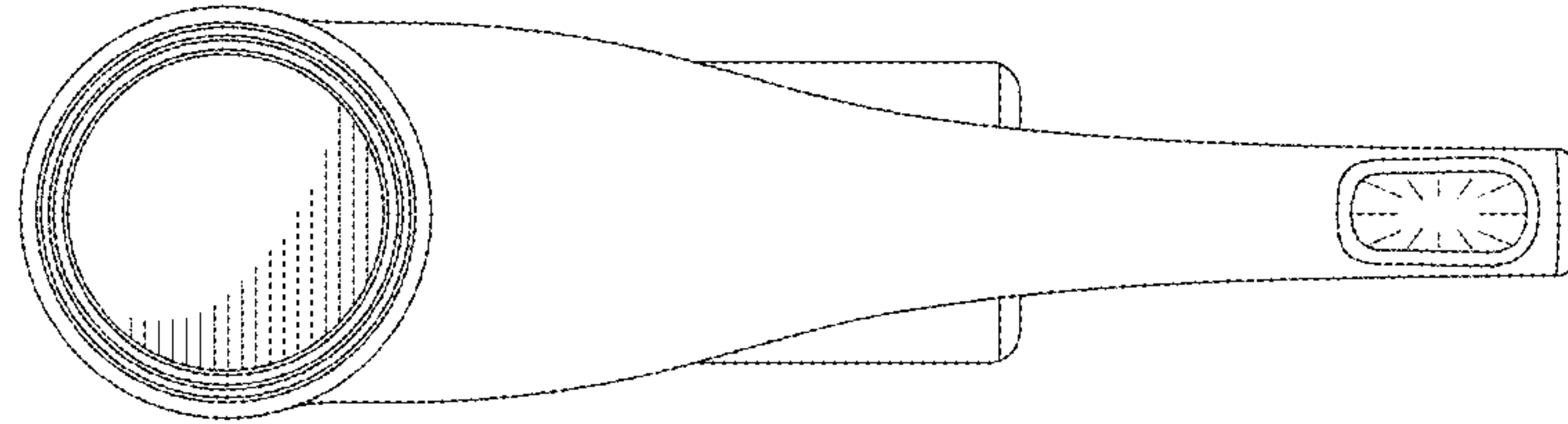


FIG. 5

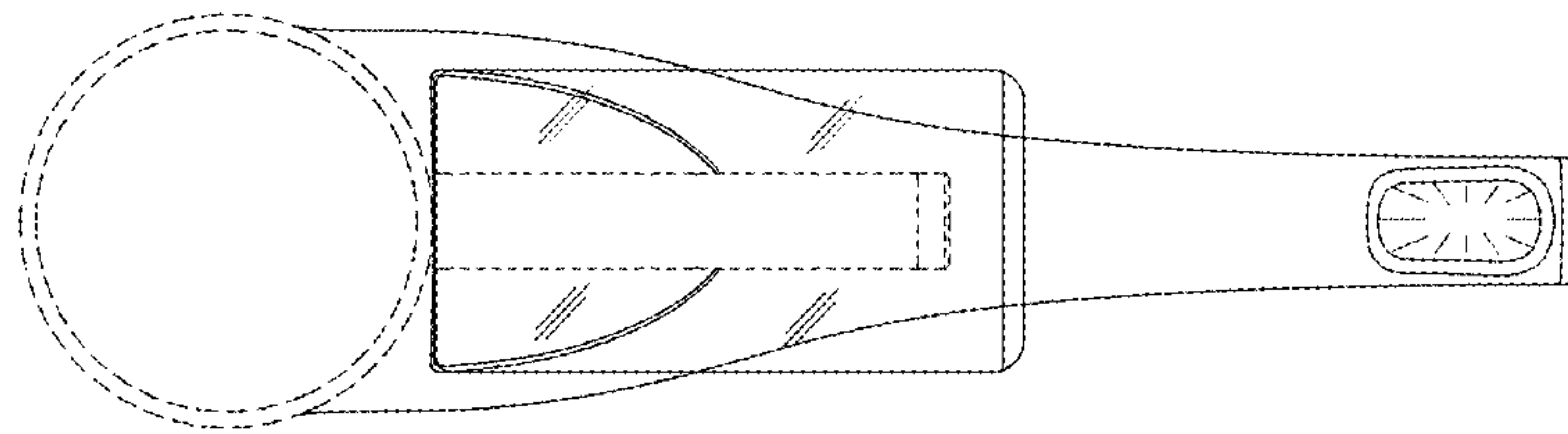


FIG. 6

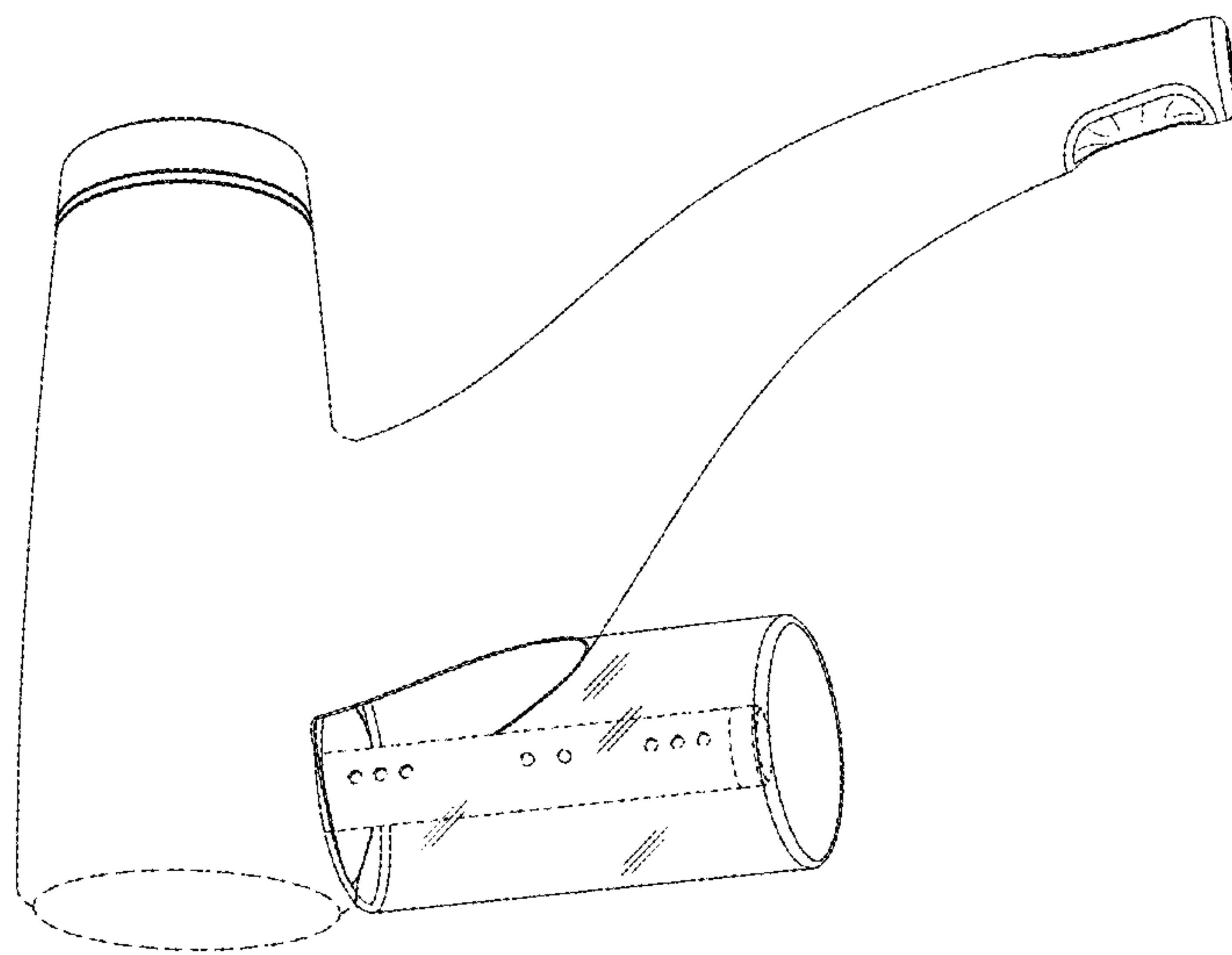


FIG. 7

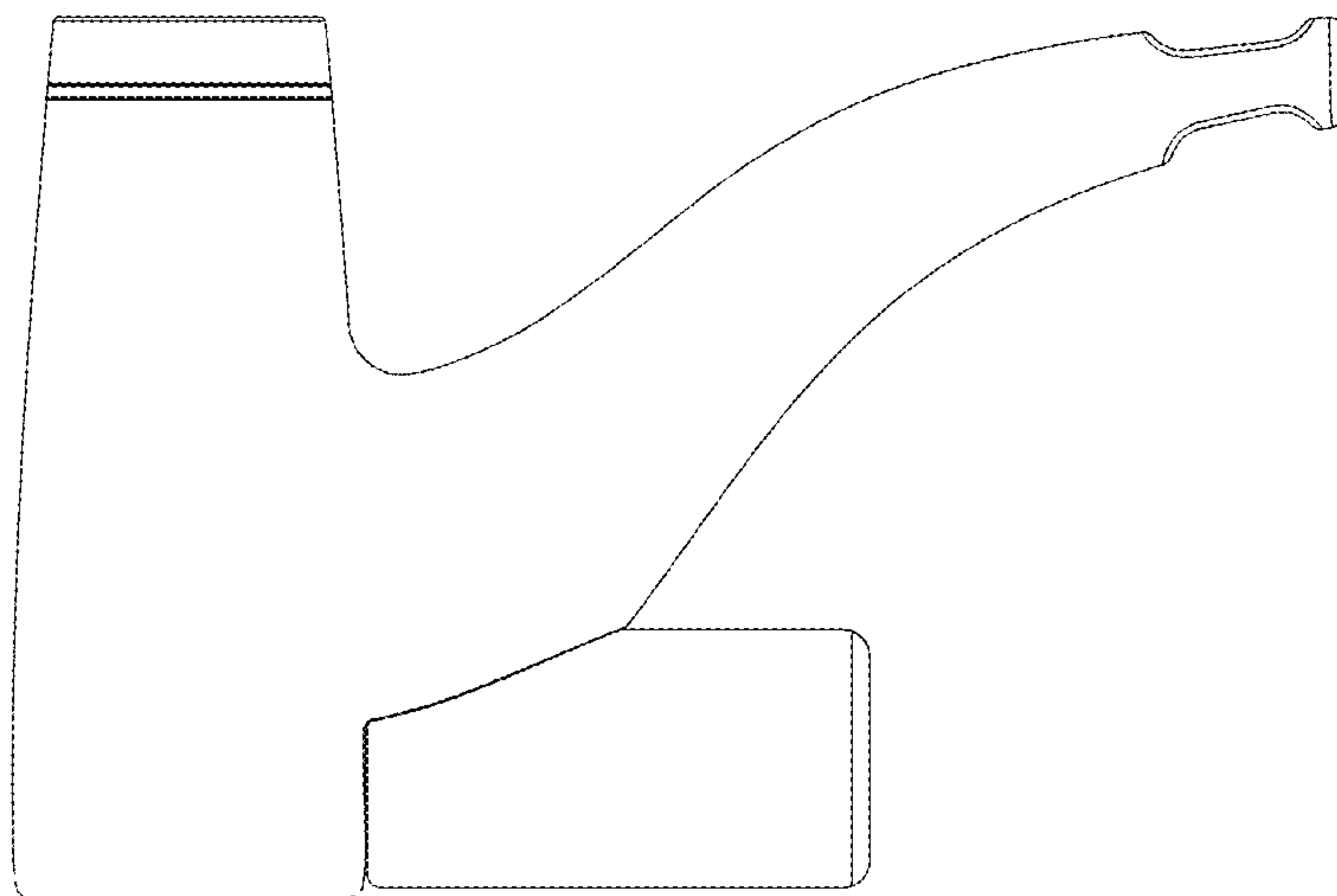


FIG. 8

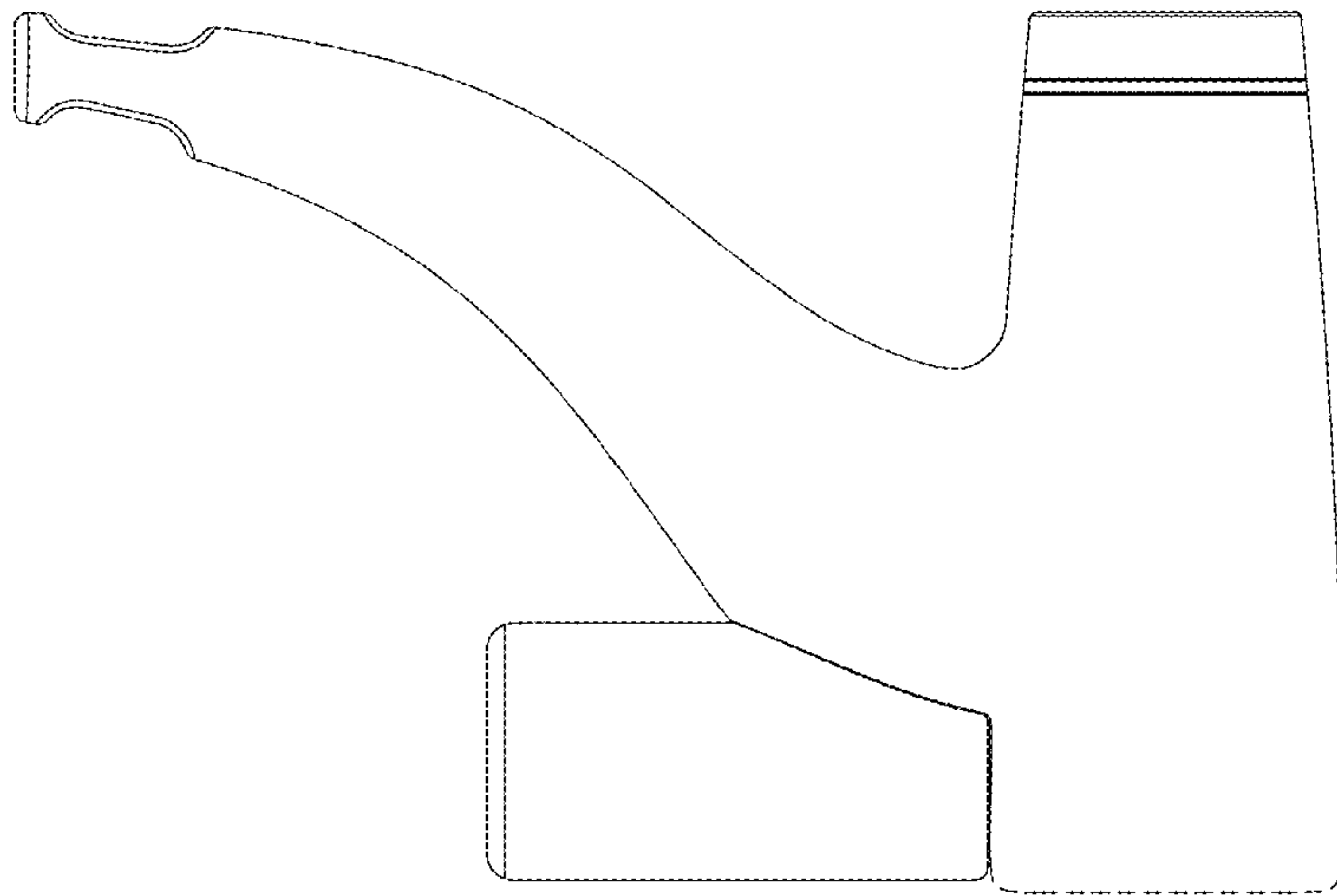


FIG. 9

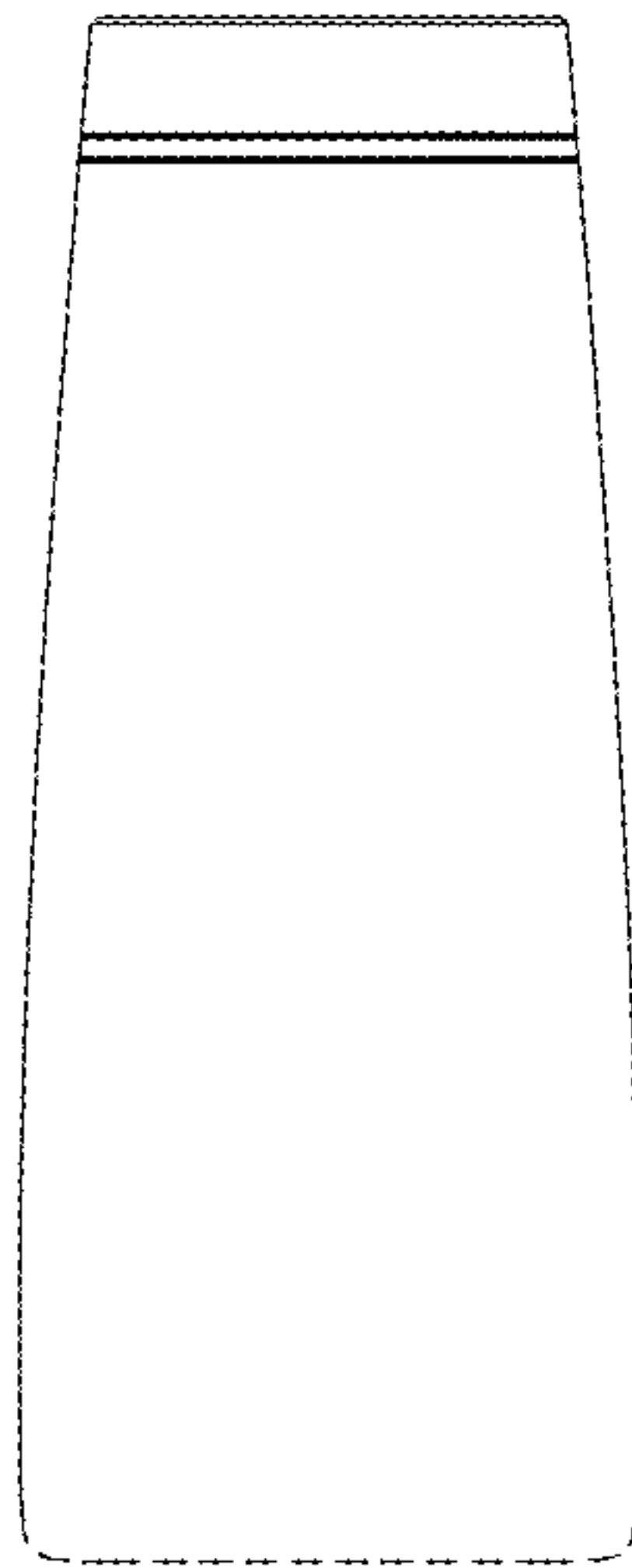


FIG. 10

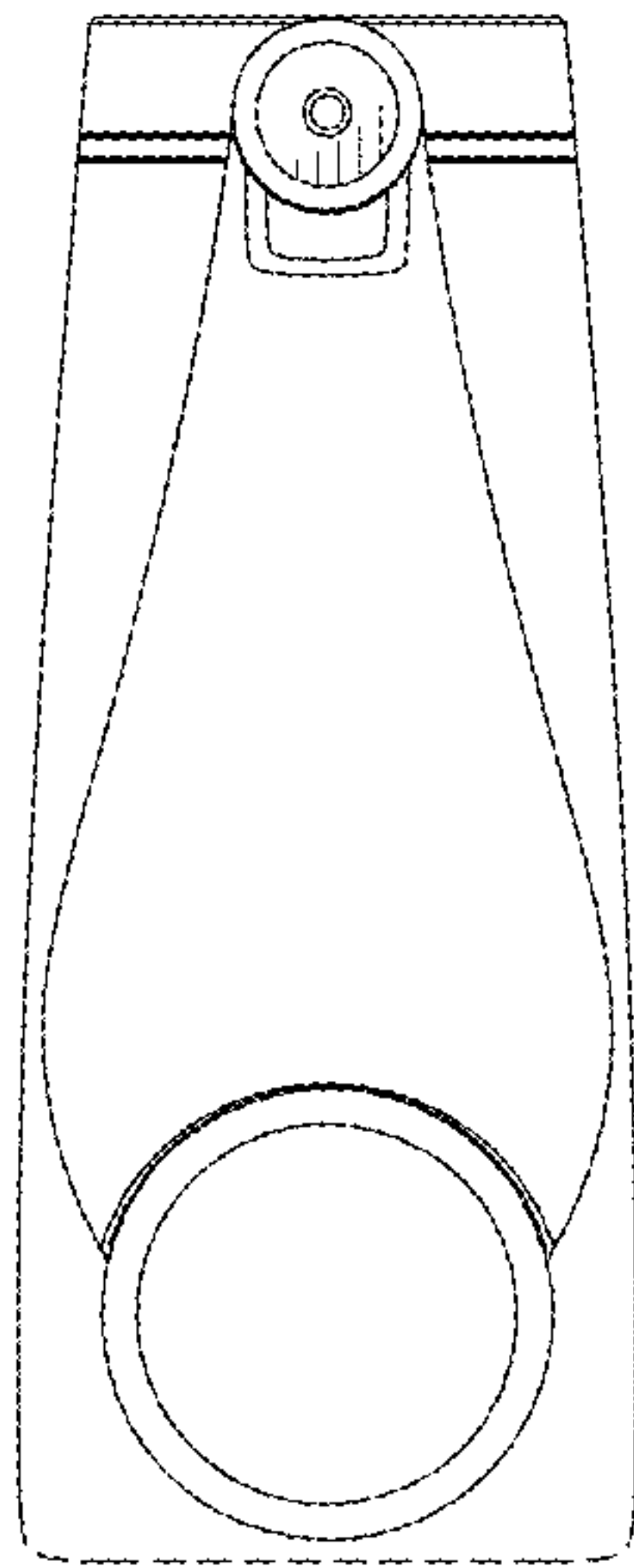


FIG. 11

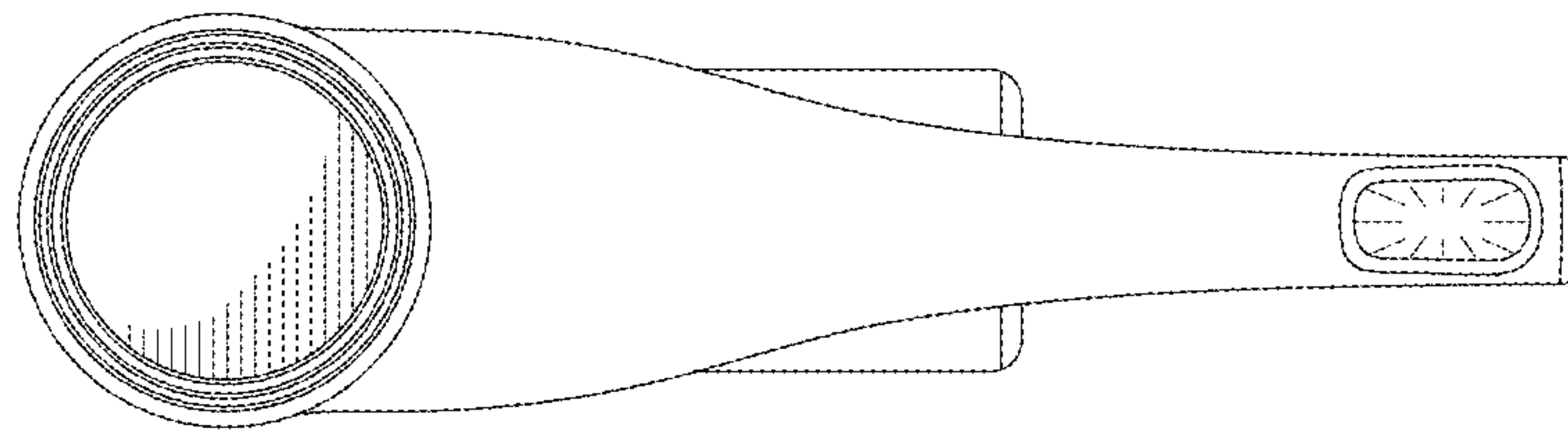


FIG. 12

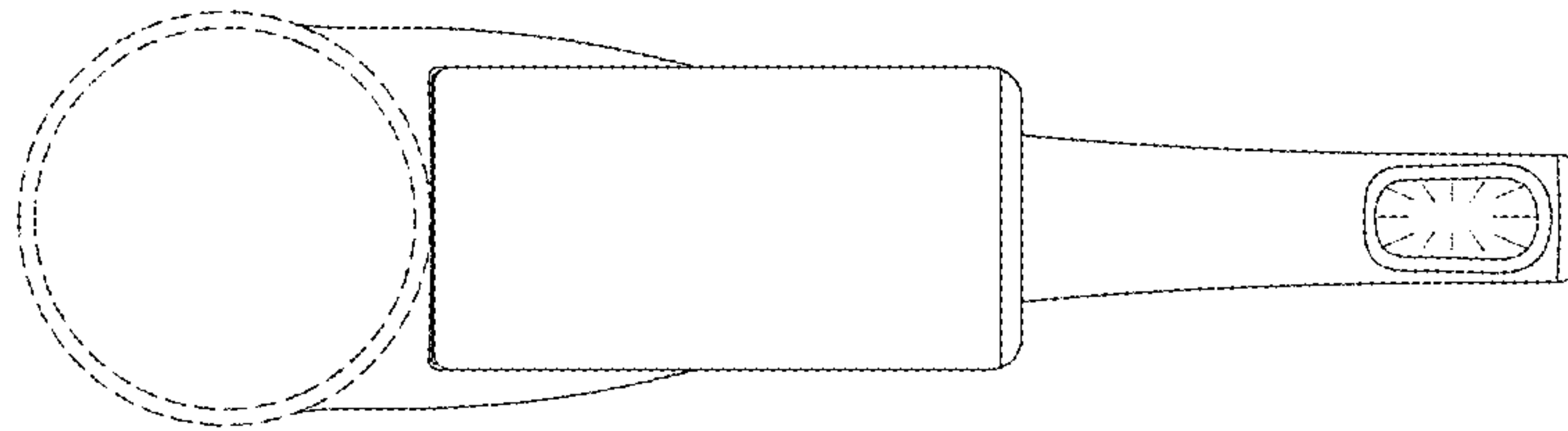


FIG. 13

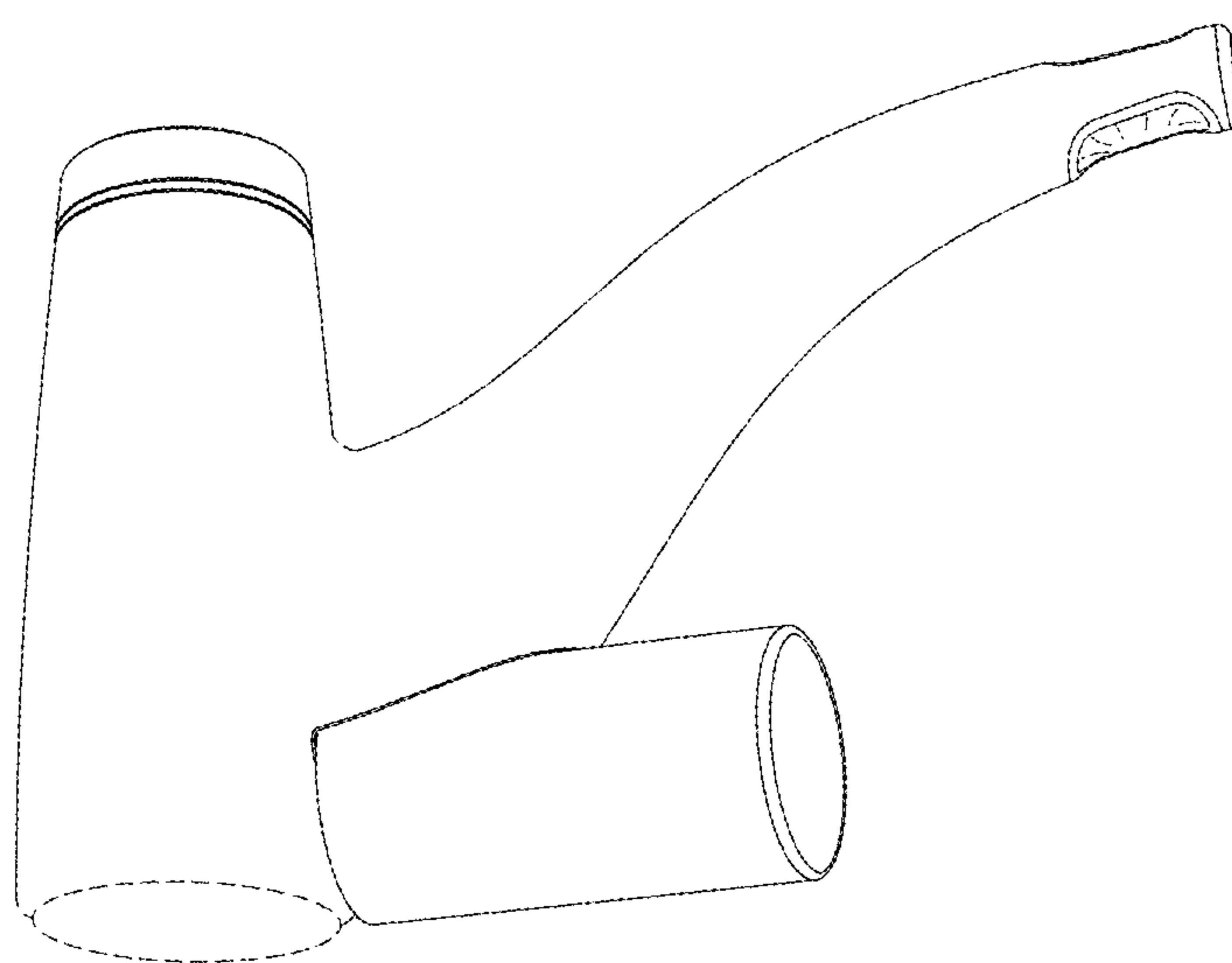


FIG. 14