



US00D757993S

(12) **United States Design Patent**
Klus

(10) **Patent No.:** **US D757,993 S**
(45) **Date of Patent:** **** May 31, 2016**

(54) **HOUSING FOR AN LED-BASED LIGHTING APPARATUS**

(71) Applicant: **Sylwester Klus**, Kamionka (PL)

(72) Inventor: **Sylwester Klus**, Kamionka (PL)

(**) Term: **14 Years**

(21) Appl. No.: **29/511,059**

(22) Filed: **Dec. 5, 2014**

(51) **LOC (10) Cl.** **26-99**

(52) **U.S. Cl.**
USPC **D26/138**

(58) **Field of Classification Search**
USPC D26/74, 75, 79, 85, 88, 89, 91, 96, 108,
D26/109, 113, 118, 120, 122, 129, 138, 140,
D26/141, 142; D13/179, 180; D25/60, 119,
D25/122, 124, 125
CPC F21S 6/00; F21S 6/004; F21S 6/006;
F21S 8/00; F21S 8/024; F21S 8/026; F21S
8/031; F21S 8/035-8/037; F21S 8/04; F21S
8/043; F21S 8/063; F21V 17/02; F21V 17/04;
F21V 17/06; F21V 21/002; F21V 21/02;
F21V 21/03; F21V 21/04; F21V 21/14;
F21V 23/02; F21V 23/04; F21V 23/0442

See application file for complete search history.

(56) **References Cited**

U.S. PATENT DOCUMENTS

3,302,350 A *	2/1967	Brown	E04F 19/0436
				174/101
D247,194 S *	2/1978	Win	D26/152
D471,286 S *	3/2003	Roberts	D25/124
D500,882 S *	1/2005	Herst	D26/118
D649,690 S *	11/2011	Trzesniowski	D26/138
D683,893 S *	6/2013	Ransvi	D26/138
D695,953 S *	12/2013	Klu	D26/138
D698,076 S *	1/2014	Klus	D26/138

* cited by examiner

Primary Examiner — George D Kirschbaum
Assistant Examiner — Natasha Vujcic

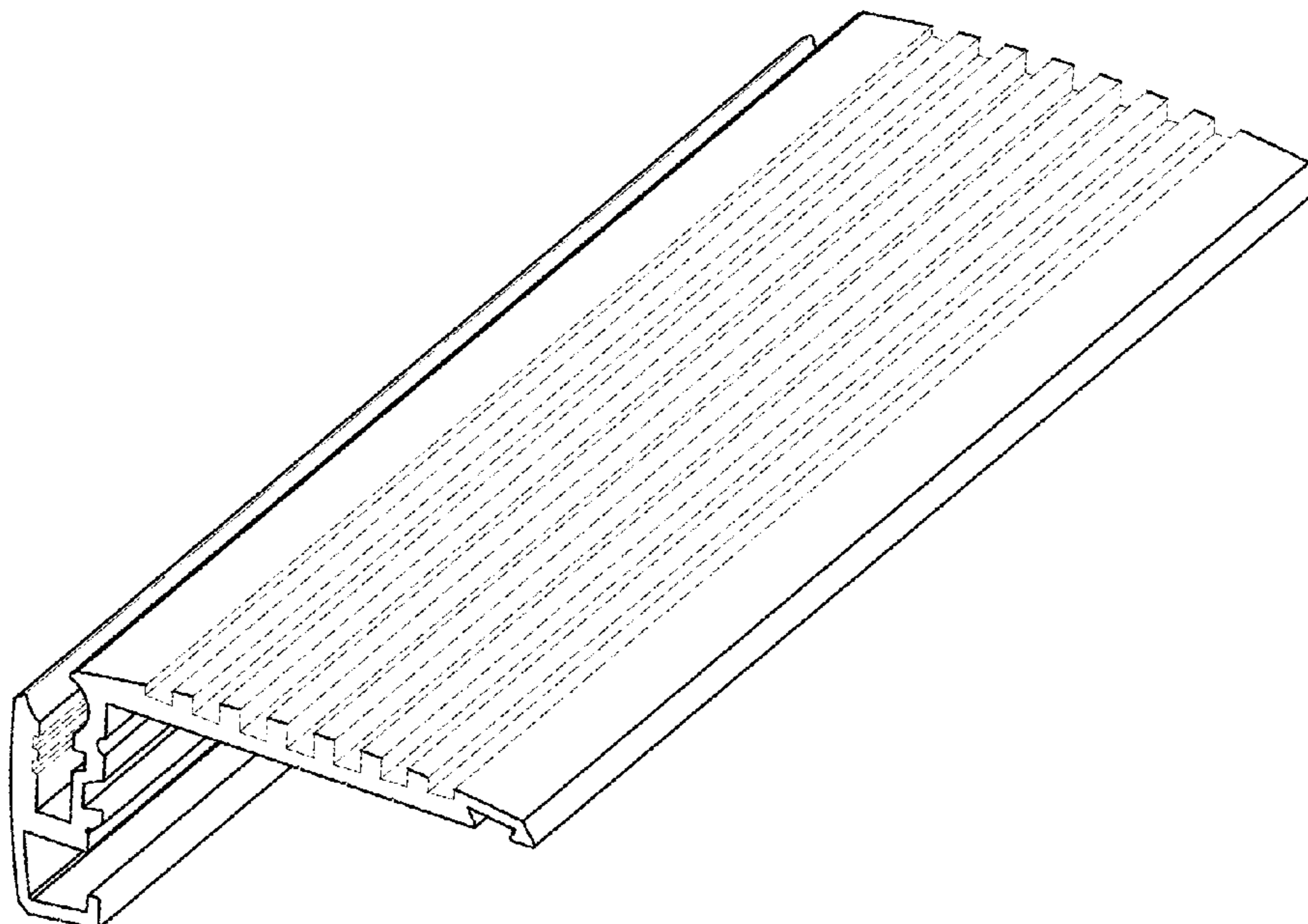
(57) **CLAIM**

The ornamental design for housing for an LED-based lighting apparatus, as shown and described.

DESCRIPTION

FIG. 1 is a front perspective view of a housing for an LED-based lighting apparatus, showing the new design;
FIG. 2 is a rear perspective view thereof;
FIG. 3 is a bottom perspective view thereof;
FIG. 4 is a left side view thereof;
FIG. 5 is a front view thereof;
FIG. 6 is a right side view thereof;
FIG. 7 is a rear view thereof;
FIG. 8 is a top view thereof; and,
FIG. 9 is a bottom view thereof.
The broken lines shown in the drawings illustrate portions of the housing for an LED based lighting apparatus which form no part of the claimed design.

1 Claim, 4 Drawing Sheets



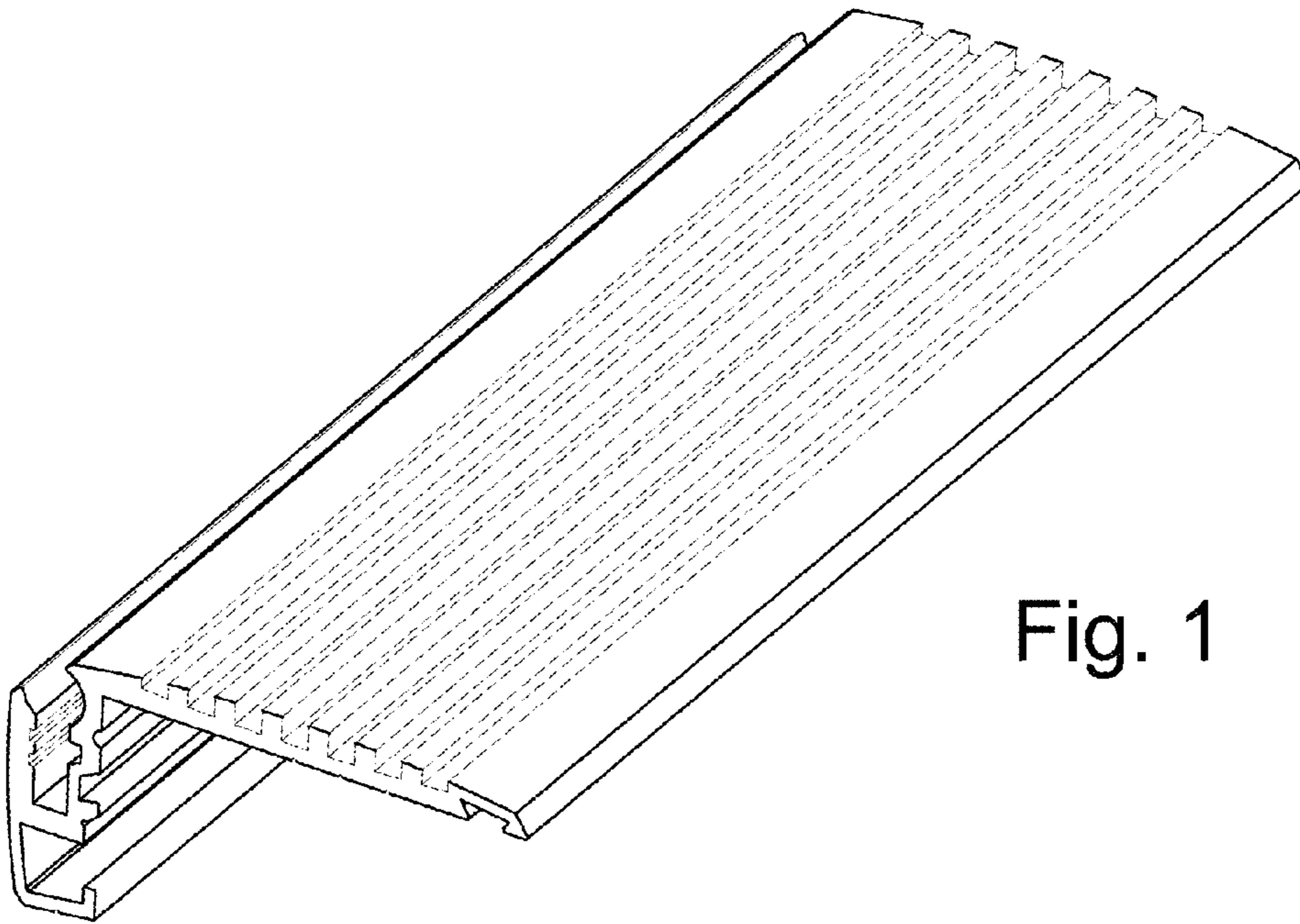


Fig. 1

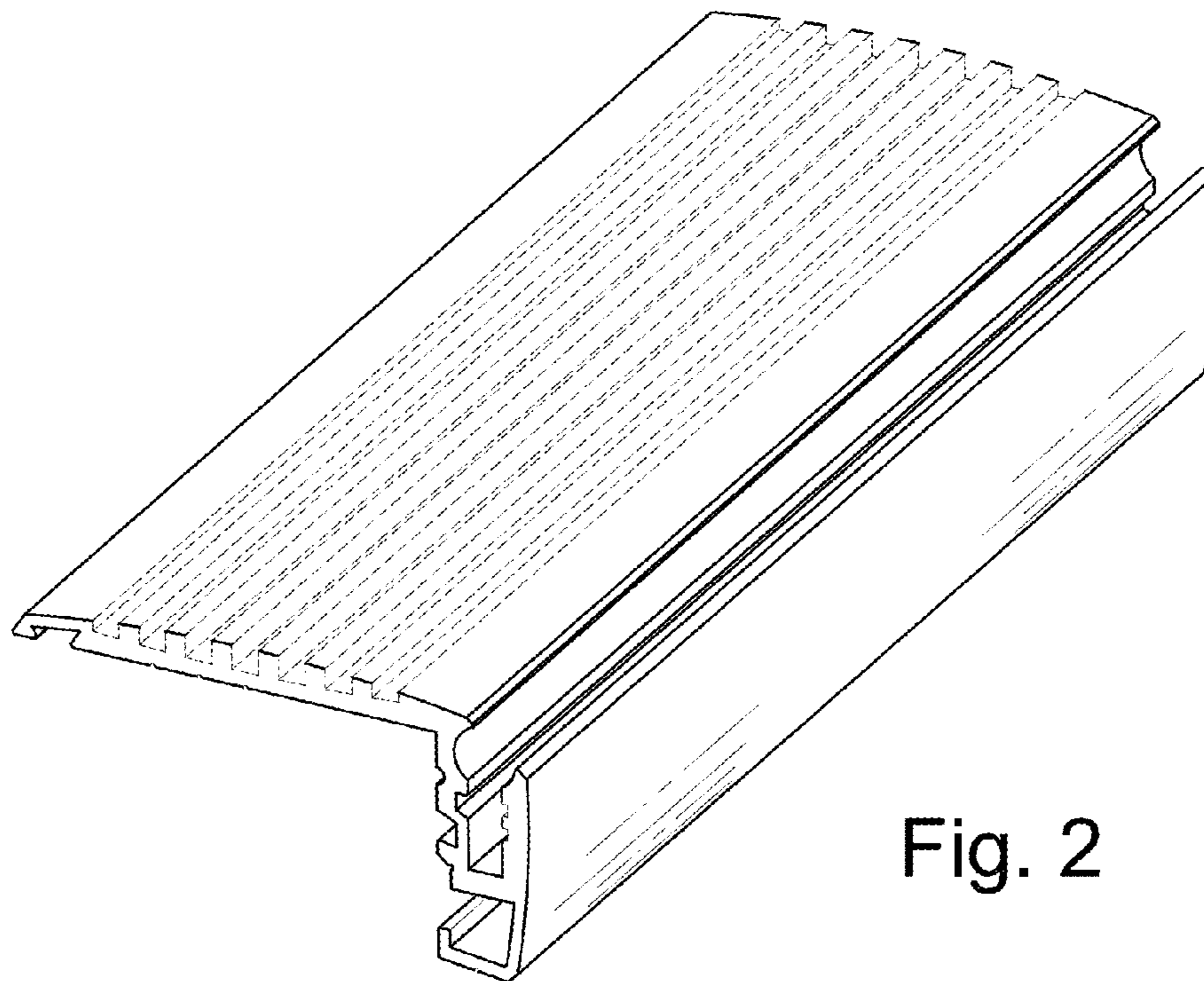


Fig. 2

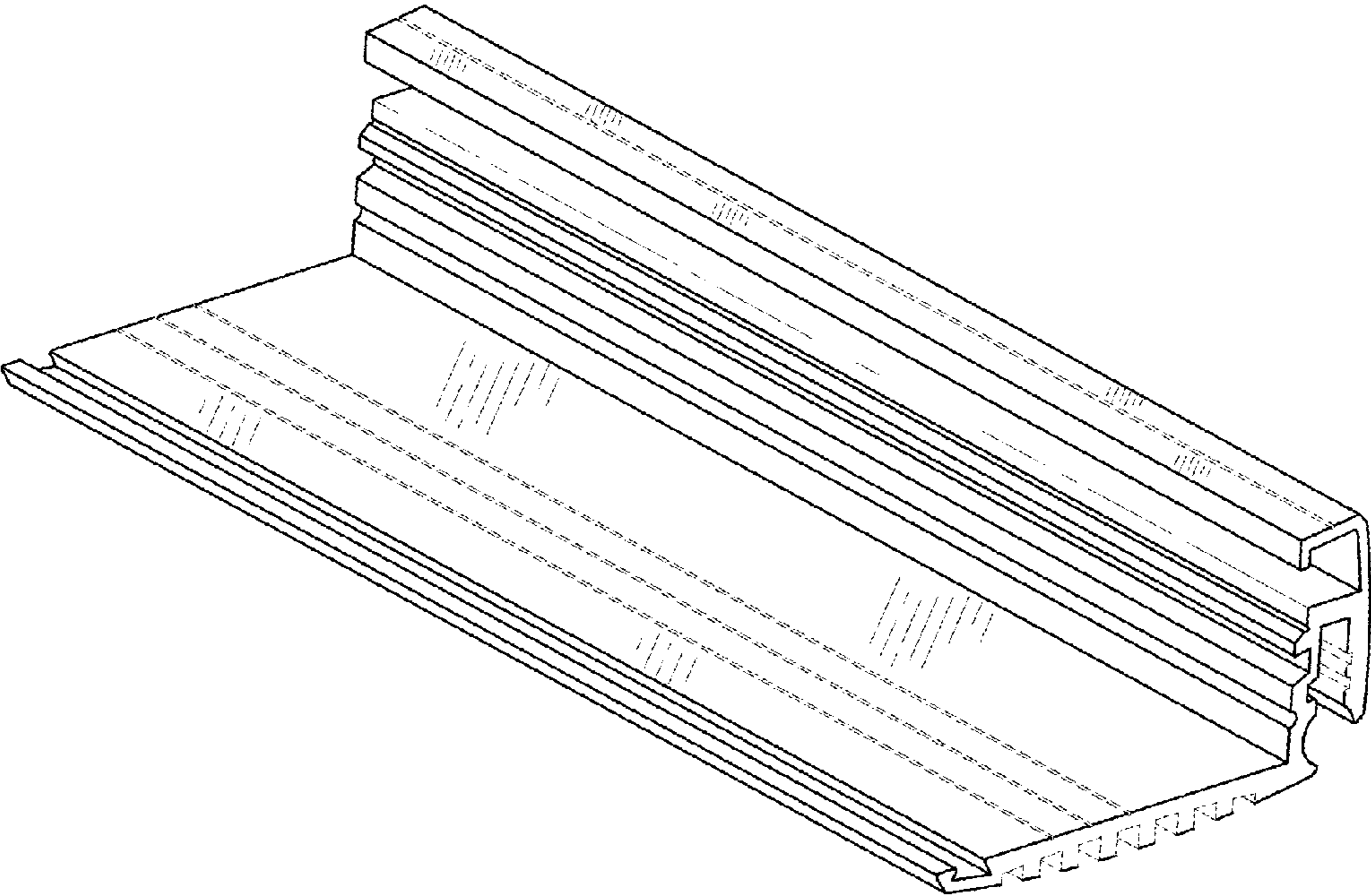


Fig. 3

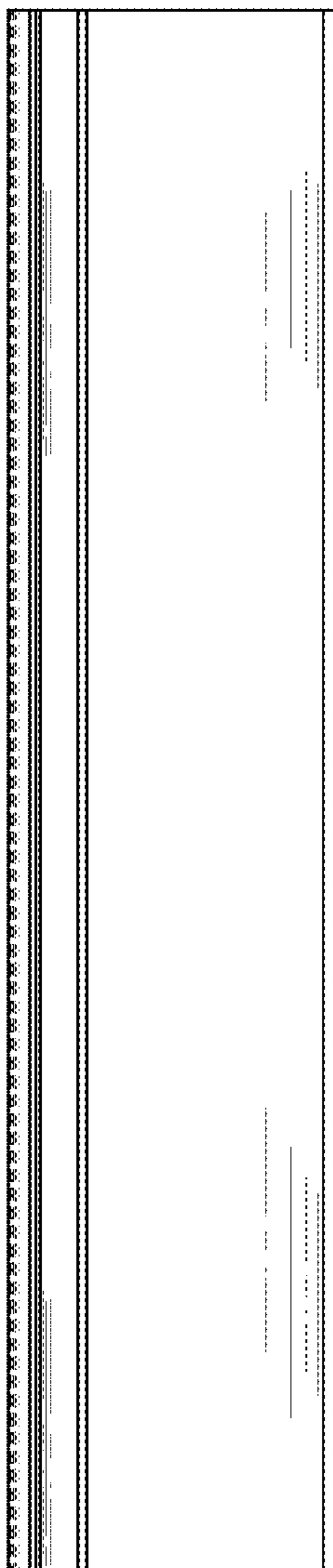


Fig. 4

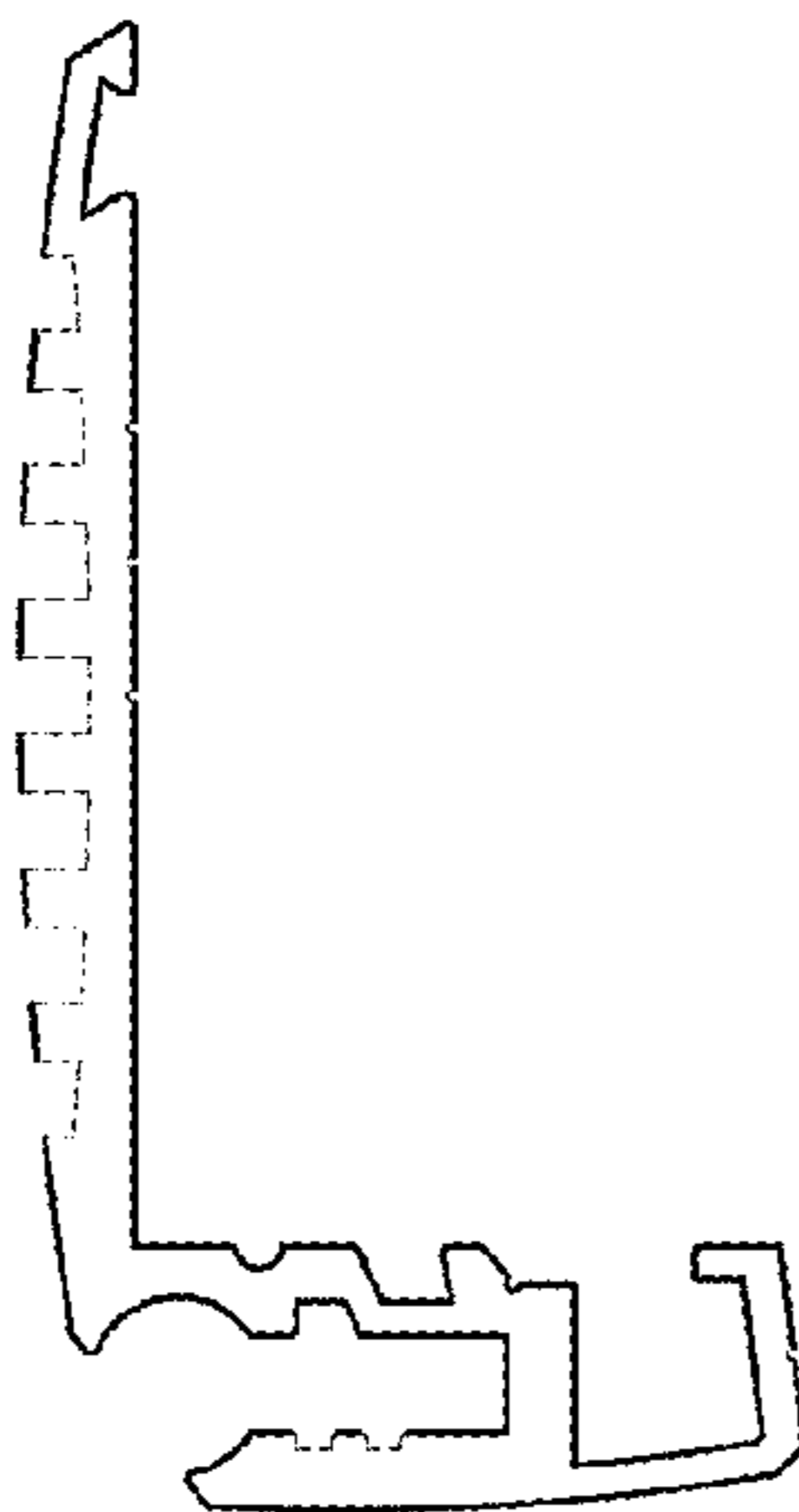


Fig. 5

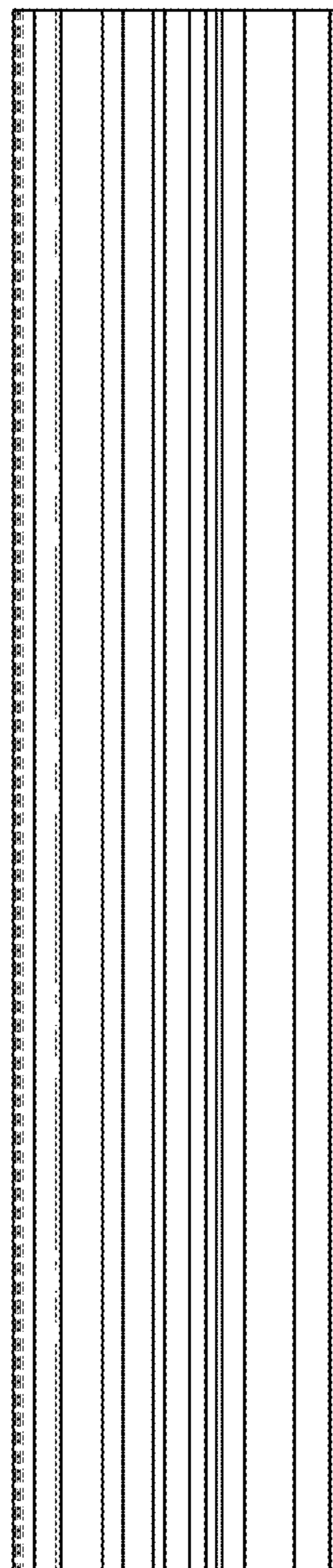


Fig. 6

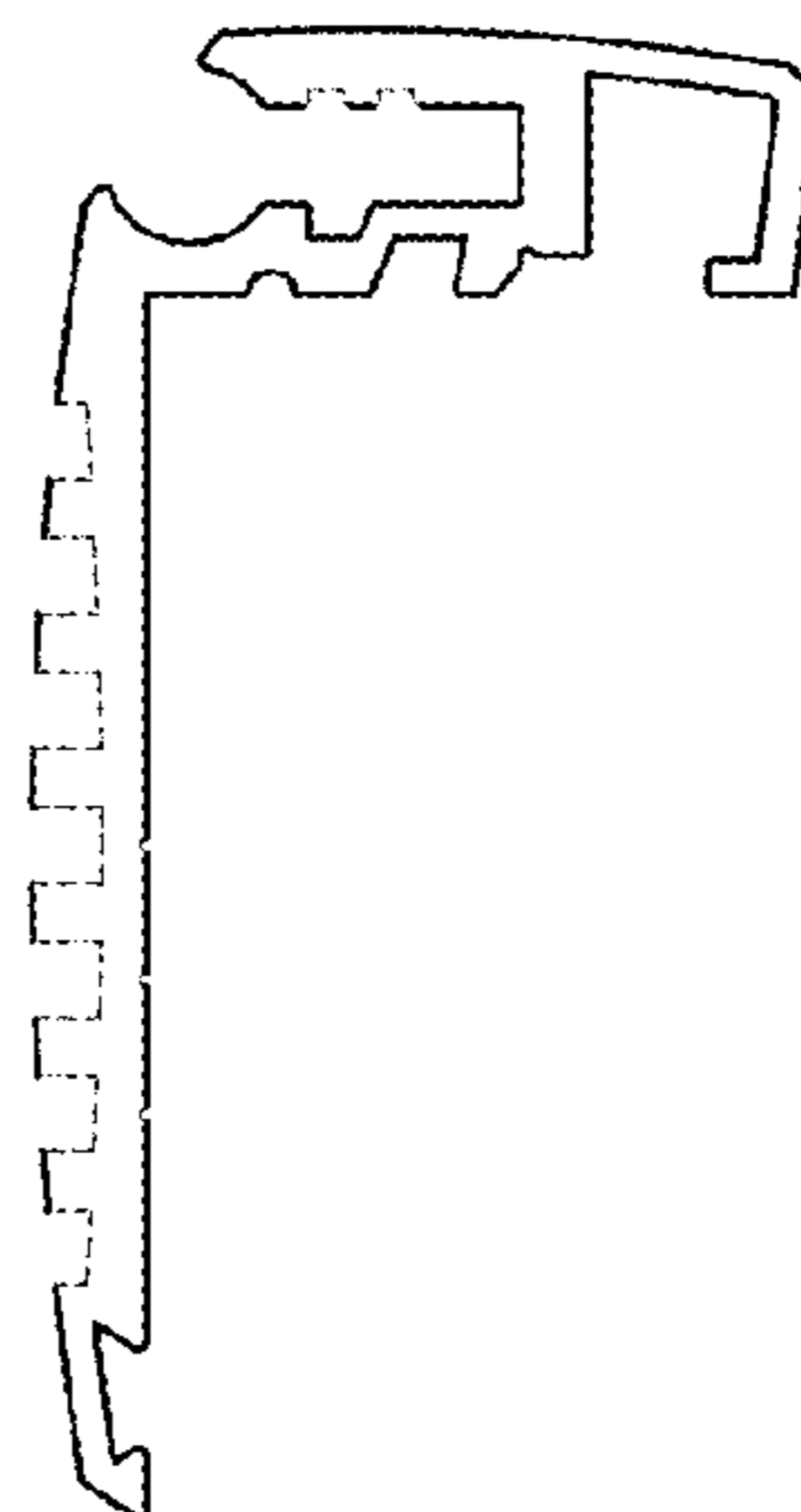


Fig. 7

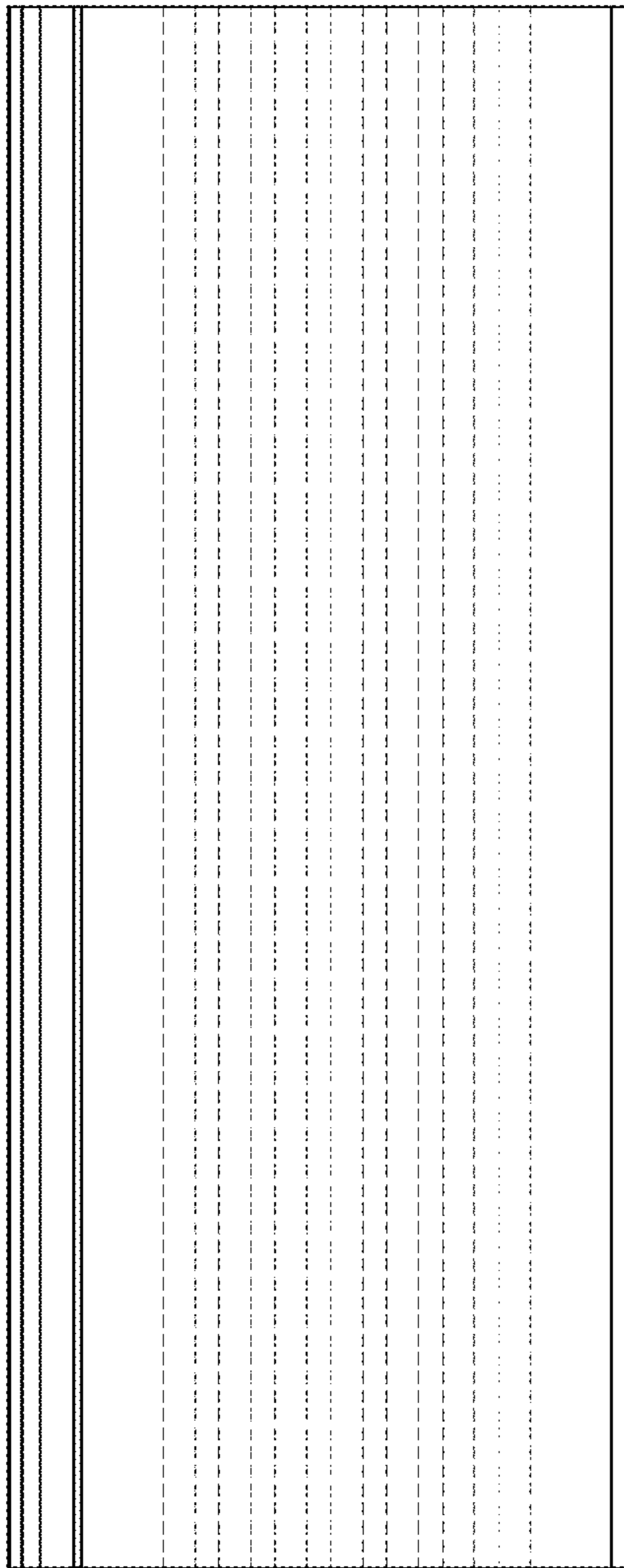


Fig. 8

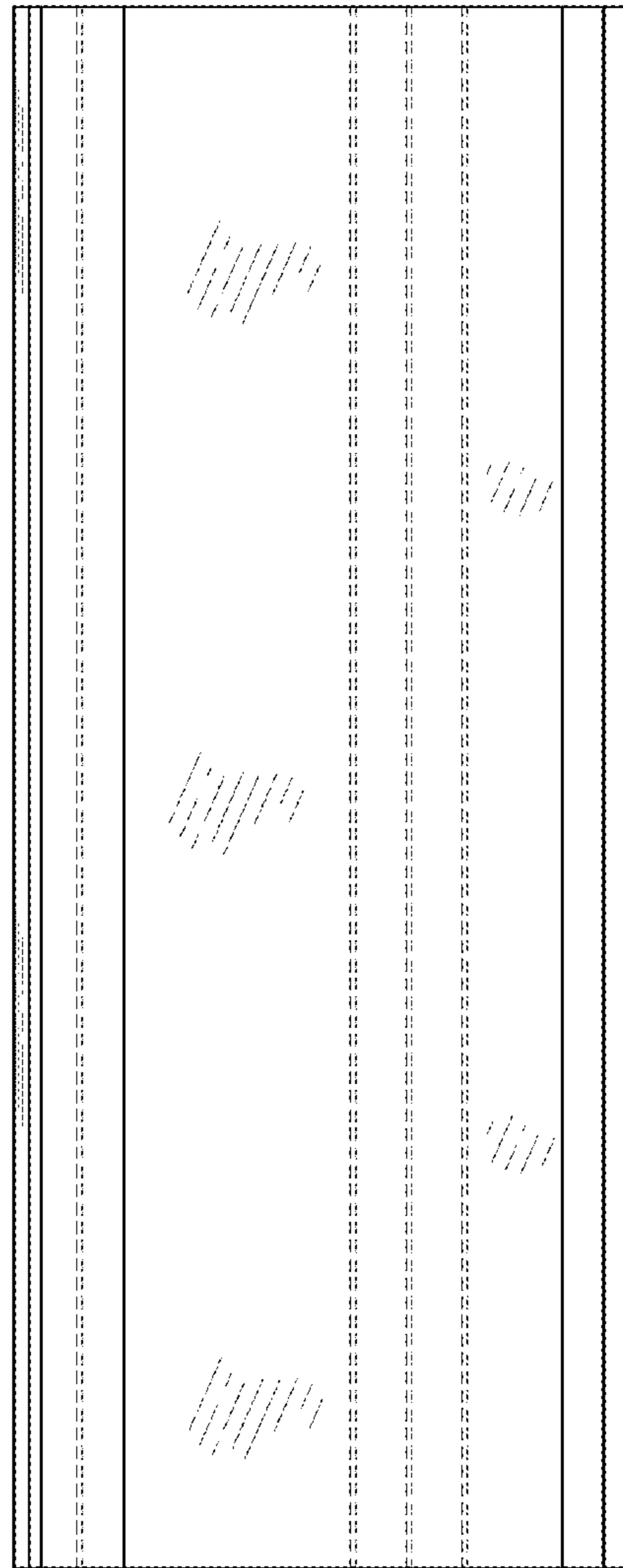


Fig. 9