



US00D757992S

(12) **United States Design Patent**
Hsu

(10) **Patent No.:** **US D757,992 S**
(45) **Date of Patent:** **** May 31, 2016**

(54) **ILLUMINATION LENSE**
(71) Applicant: **Chen-Wei Hsu**, Tainan (TW)
(72) Inventor: **Chen-Wei Hsu**, Tainan (TW)
(**) Term: **14 Years**
(21) Appl. No.: **29/500,746**
(22) Filed: **Aug. 28, 2014**
(51) **LOC (10) Cl.** **26-05**
(52) **U.S. Cl.**
USPC **D26/124**
(58) **Field of Classification Search**
USPC D13/179, 180; D16/130, 132, 134, 135;
D21/500, 503, 607; D26/89, 113, 118,
D26/120, 121, 122, 123, 124, 125, 128, 135,
D26/138, 145, 148, 155; 359/793, 802–805,
359/809–811, 894
CPC E06B 7/30; F21V 5/004; F21V 5/005;
F21V 5/007; F21V 5/045; F21V 5/04; F21V
5/02; F21V 5/041; H01L 33/54; H01L 33/58;
G02B 3/10
See application file for complete search history.

D444,158 S * 6/2001 Saldana D16/130
D471,357 S * 3/2003 Hoppe D3/266
D484,270 S * 12/2003 Yiu D26/89
D492,713 S * 7/2004 Yip D16/135
D494,610 S * 8/2004 Allen D16/135
D580,466 S * 11/2008 Pola D16/135
D698,476 S * 1/2014 Korpi D26/63
D698,477 S * 1/2014 Korpi D26/63
D723,212 S * 2/2015 Hsu D26/124
9,033,563 B1 * 5/2015 Hsu F21S 48/1109
362/545
9,091,412 B2 * 7/2015 Yeh F21V 5/048

* cited by examiner

Primary Examiner — Susan Bennett Hattan
Assistant Examiner — Leanne Was

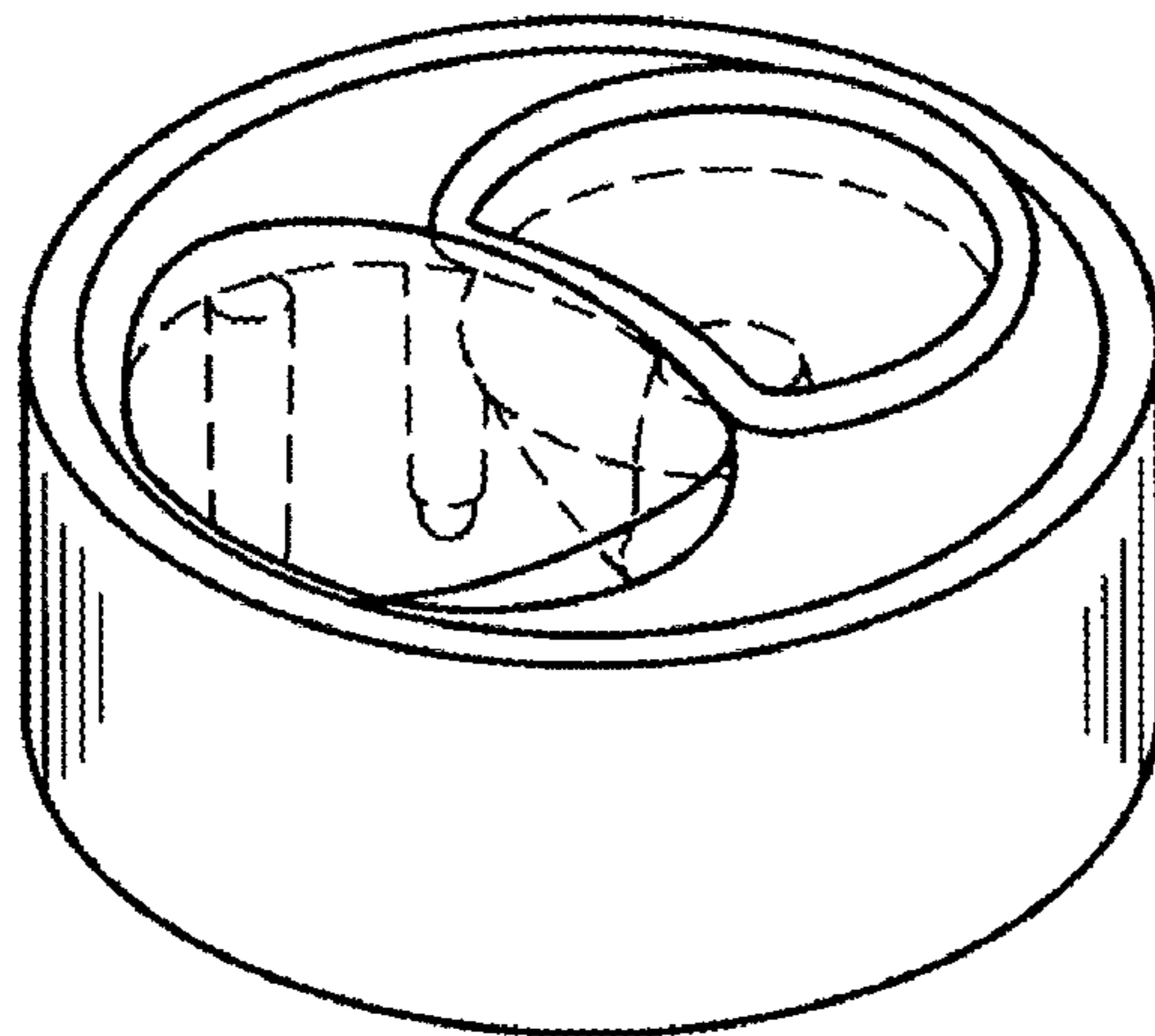
(57) **CLAIM**
The ornamental design for an illumination lense, is as shown and described.

DESCRIPTION

FIG. 1 is a perspective view of an illumination lense showing my design, where those indicated by broken lines are not claimed;
FIG. 2 is a front elevational view thereof;
FIG. 3 is a rear elevational view thereof;
FIG. 4 is a left side elevational view thereof;
FIG. 5 is a right side elevational view thereof;
FIG. 6 is a top plan view thereof, where those indicated by broken lines are not claimed; and,
FIG. 7 is a bottom plan view thereof, where those indicated by broken lines are not claimed.
The broken lines depict a portion of the illumination lense that forms no part of the claimed design.

1 Claim, 4 Drawing Sheets

(56) **References Cited**
U.S. PATENT DOCUMENTS
D99,104 S * 3/1936 Arenberg D26/124
D99,105 S * 3/1936 Arenberg D26/124
2,312,542 A * 3/1943 Goodman E06B 7/30
359/793
2,905,054 A * 9/1959 Logan G02B 25/008
359/818
D260,401 S * 8/1981 Leopoldi D16/135
D270,483 S * 9/1983 Gardner D26/105



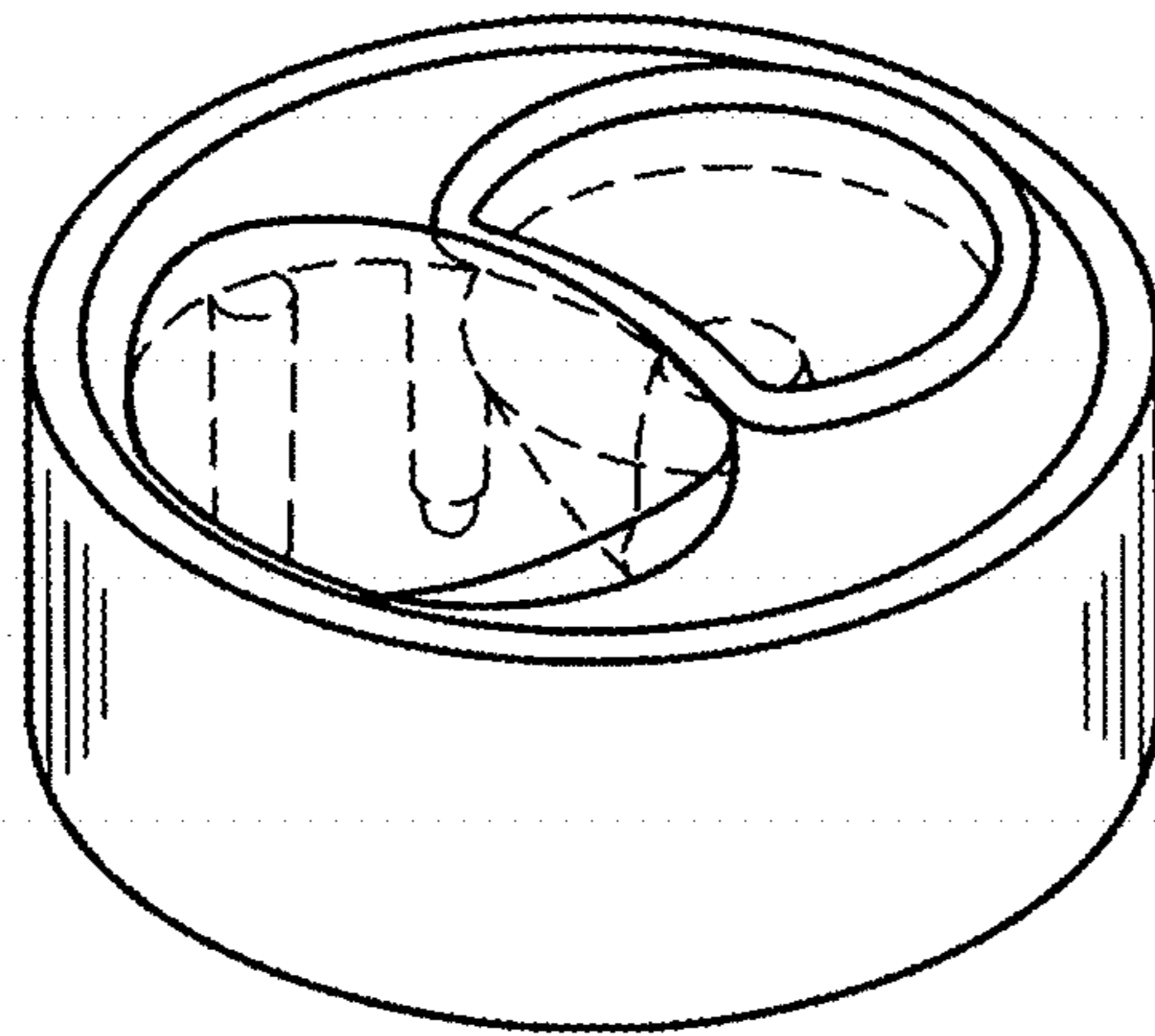


FIG. 1

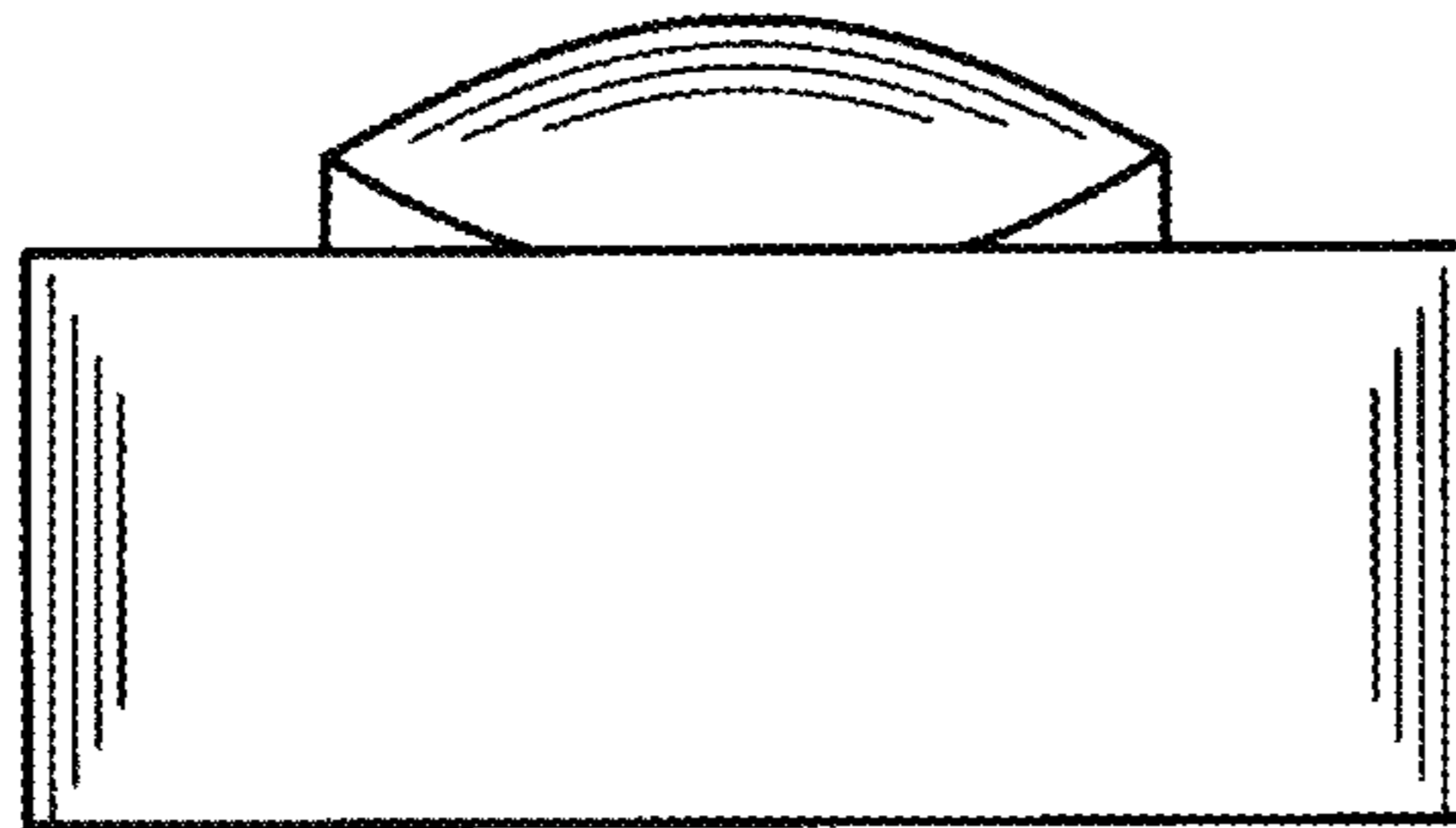


FIG. 2

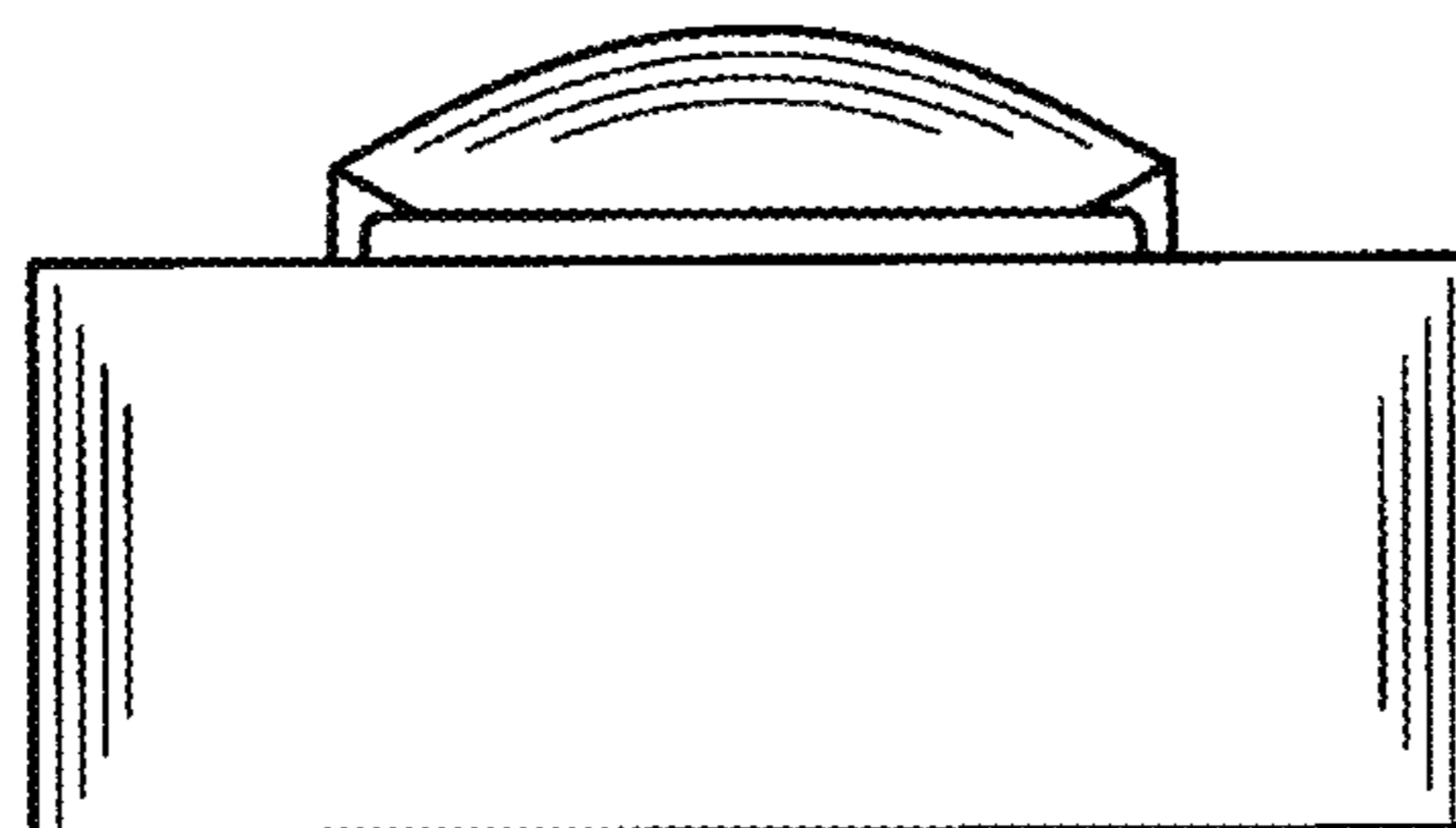


FIG. 3

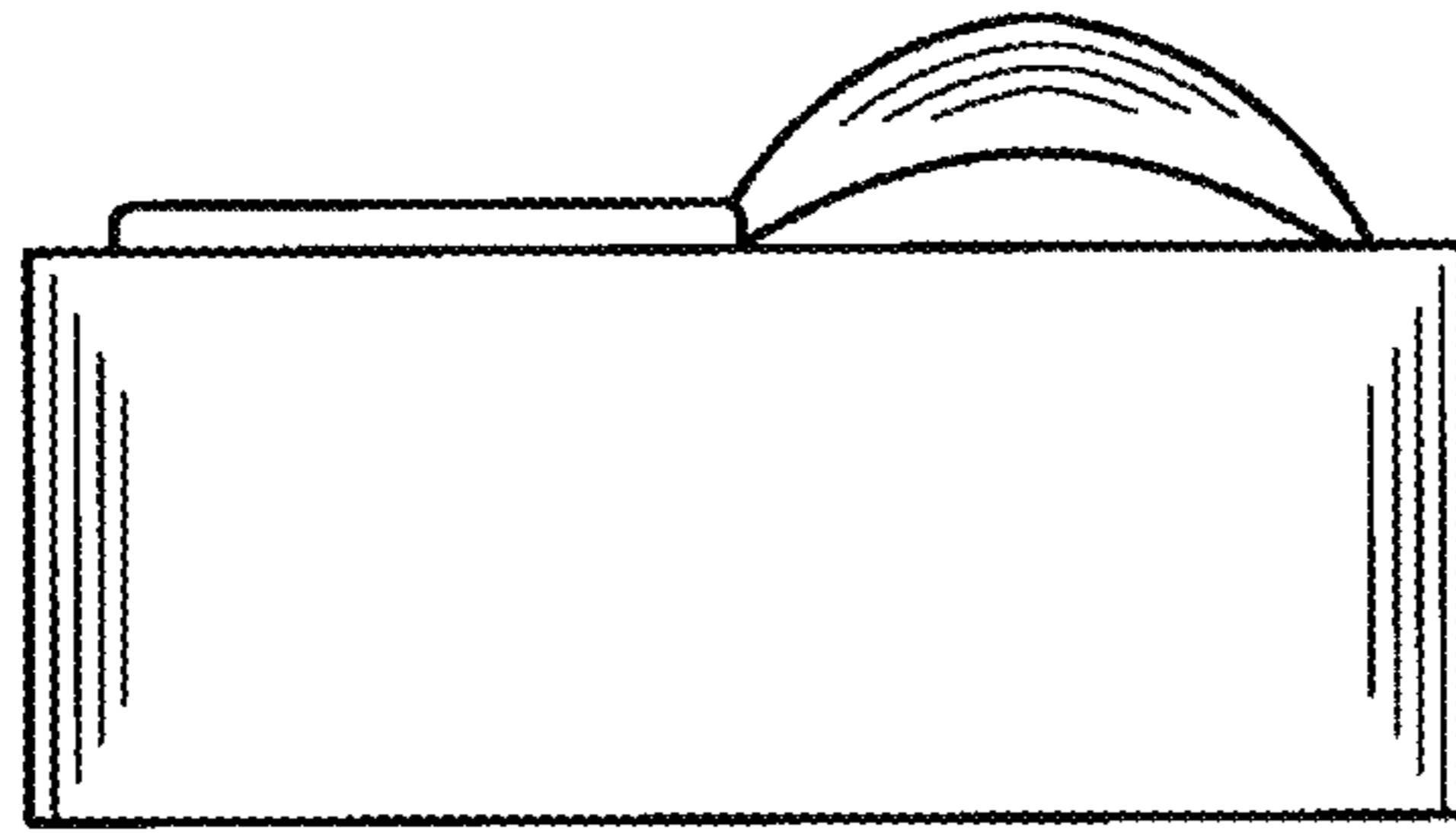


FIG. 4

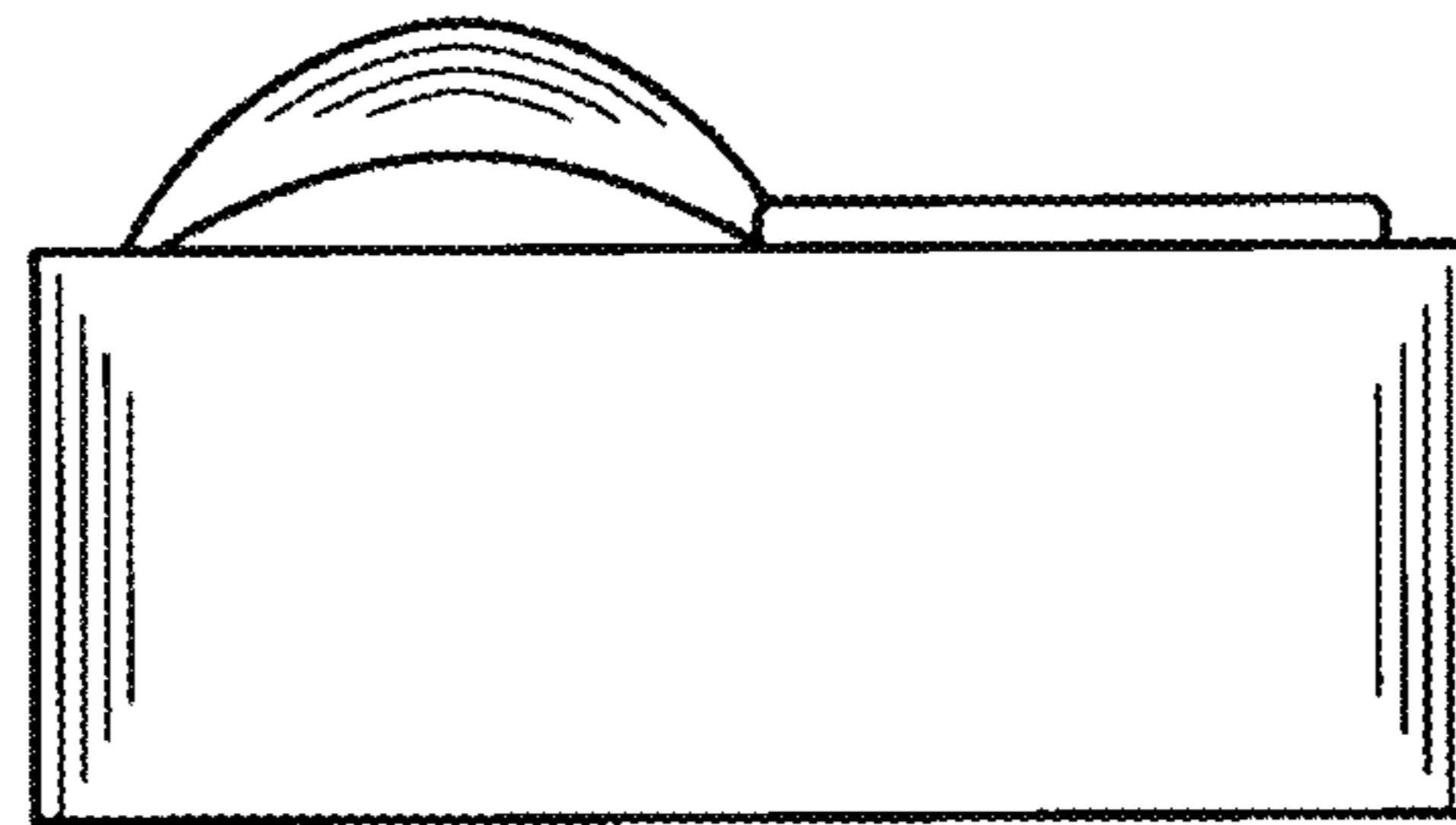


FIG. 5

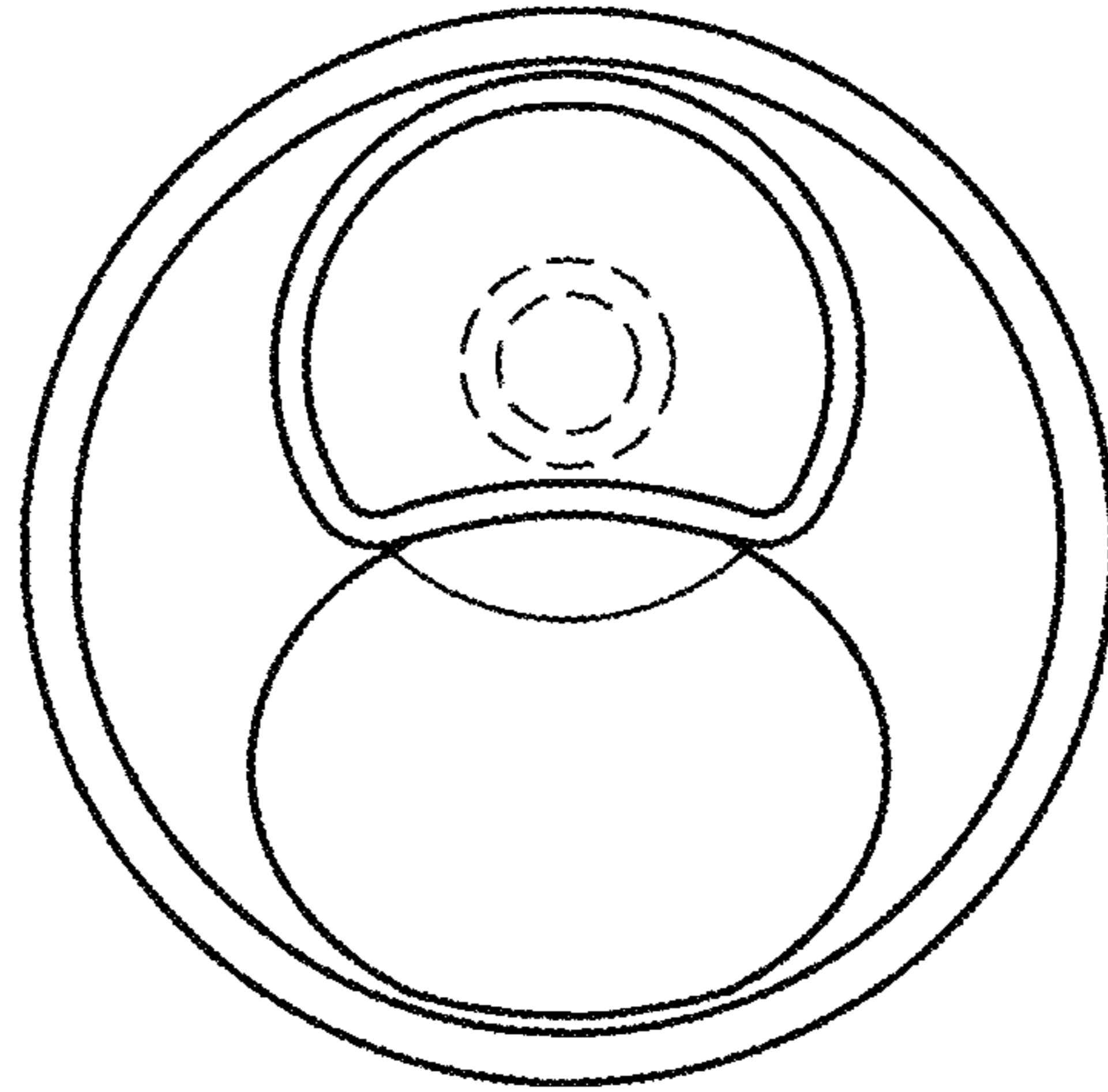


FIG. 6

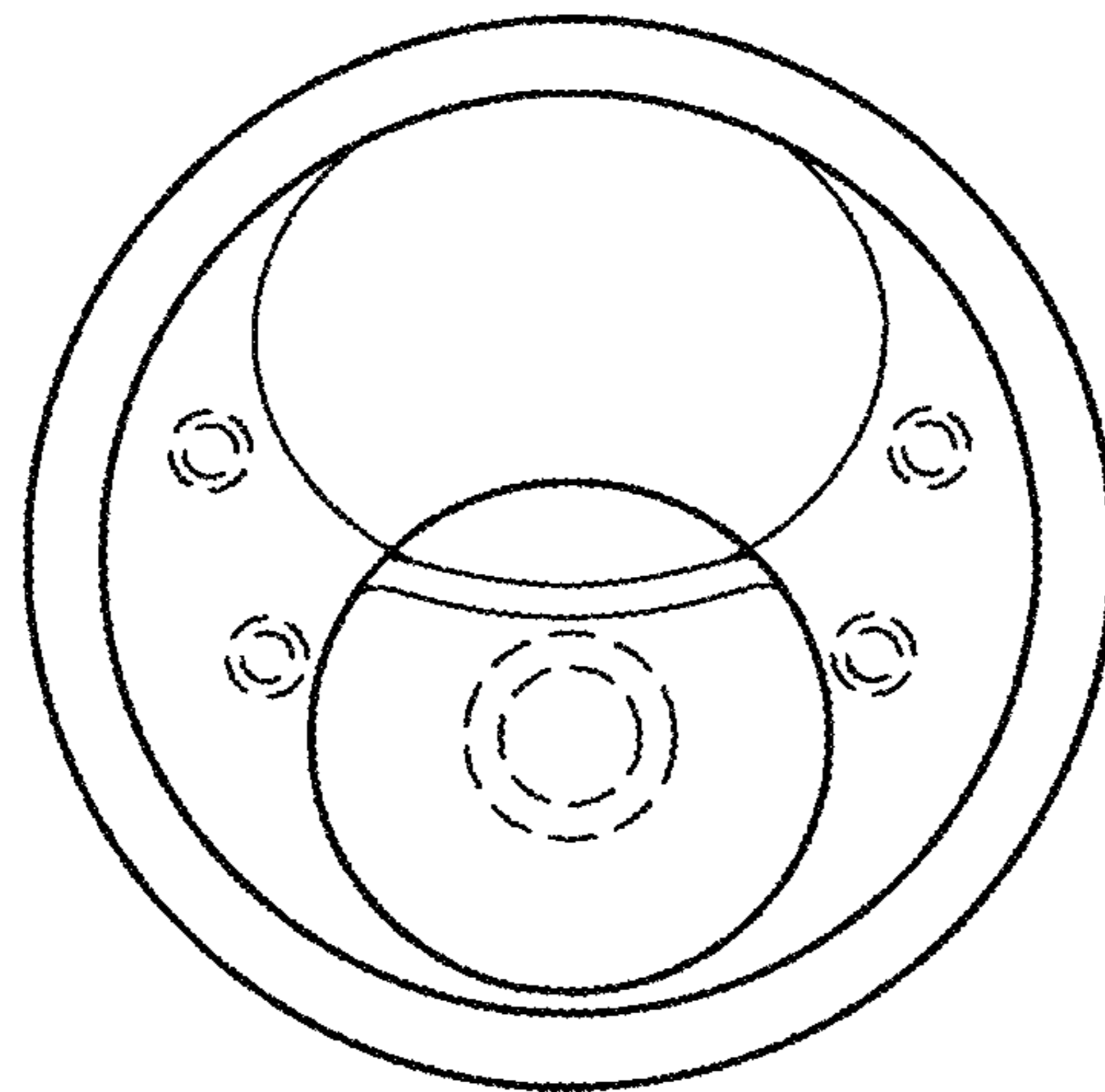


FIG. 7