



US00D757991S

(12) **United States Design Patent**  
**Intelisano**

(10) **Patent No.:** **US D757,991 S**

(45) **Date of Patent:** **\*\* May 31, 2016**

(54) **LIGHT COVER**

(71) Applicant: **Summit Holding Company, LLC**,  
Cheyenne, WY (US)

(72) Inventor: **Craig Intelisano**, Bradenton, FL (US)

(73) Assignee: **Summit Holding Company, LLC**,  
Cheyenne, WY (US)

(\*\*) Term: **14 Years**

(21) Appl. No.: **29/515,519**

(22) Filed: **Jan. 23, 2015**

(51) **LOC (10) Cl.** ..... **26-99**

(52) **U.S. Cl.**  
USPC ..... **D26/118**

(58) **Field of Classification Search**

USPC ..... D26/2, 28, 60, 72, 89, 104, 113, 118,  
D26/119, 120, 122, 124, 128, 138, 142, 143,  
D26/145; D13/179, 180, 102, 103, 107, 108  
CPC ..... F41C 27/00; F41C 33/0254; G02B 5/045;  
G02B 5/189; F21S 8/00; F21S 8/03; F21S  
8/026; F21S 8/02; F21S 8/003; F21S 8/043;  
F21S 8/06; F21S 8/04; F21V 7/005; F21V  
15/01; F21V 15/04; F21V 25/00; F21V 3/02;  
F21V 1/00; F21V 21/04; F21V 29/006;  
G02F 2001/133607; F21Y 2103/00; F21Y  
2101/02; H01L 2224/48137; F21K 9/00  
See application file for complete search history.

(56) **References Cited**

**U.S. PATENT DOCUMENTS**

D51,972 S	*	4/1918	Pearson et al.	.....	D26/37
D236,909 S	*	9/1975	Richilano	.....	D26/68
D239,861 S	*	5/1976	Steenhoven	.....	D26/71
D257,892 S	*	1/1981	Dean	.....	D26/71
D298,573 S	*	11/1988	Komamura	.....	D26/37
D358,898 S	*	5/1995	Compton	.....	D26/67
D370,287 S	*	5/1996	Kay	.....	D26/118

(Continued)

**OTHER PUBLICATIONS**

Street Lights, image post date 1996, site visited Jan. 6, 2016, (online),  
<<http://dir.indiamart.com/pondicherry/led-street-light.html>>.\*

(Continued)

*Primary Examiner* — Kevin Rudzinski

*Assistant Examiner* — Sean D Lough

(74) *Attorney, Agent, or Firm* — RatnerPrestia

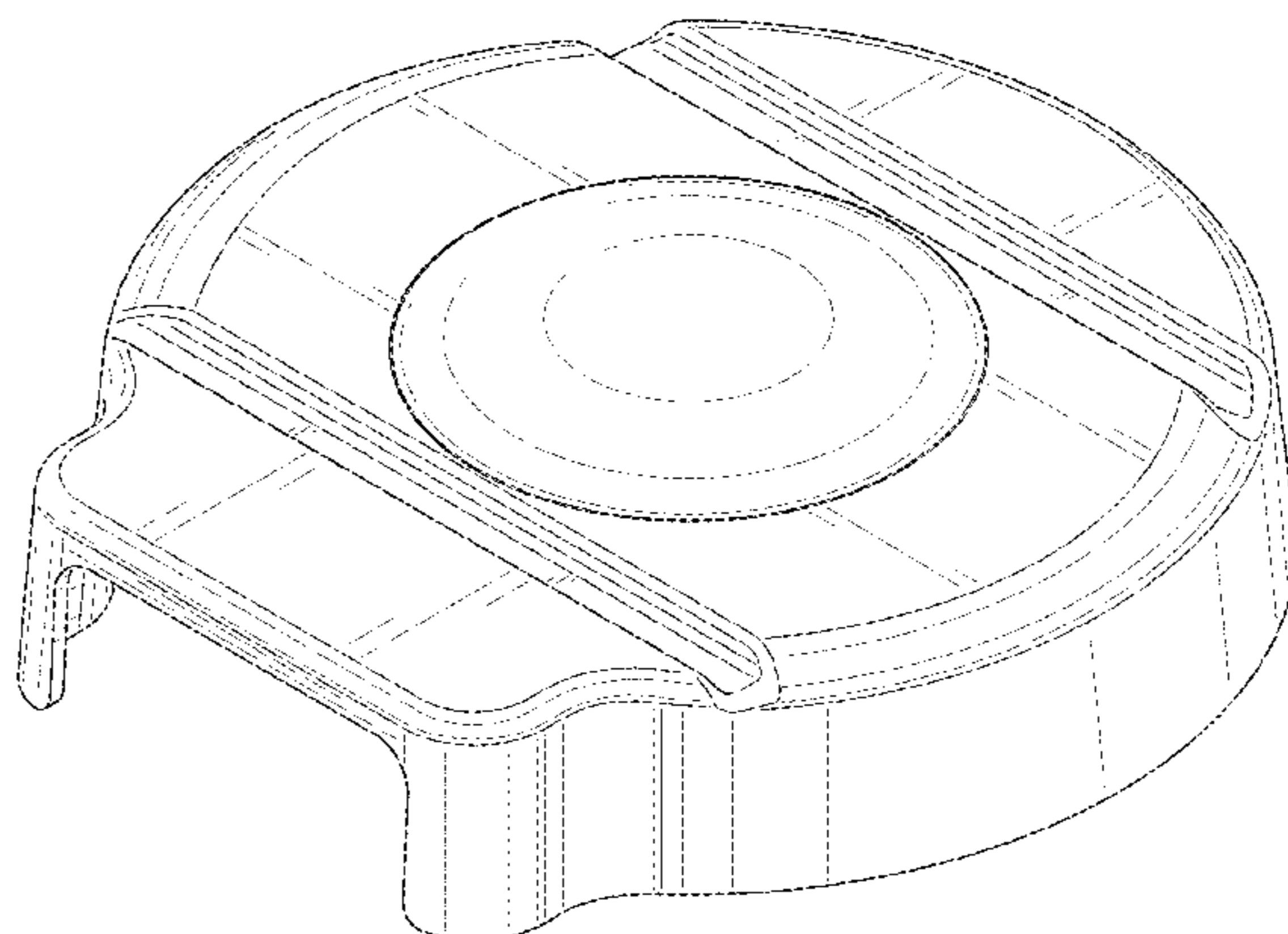
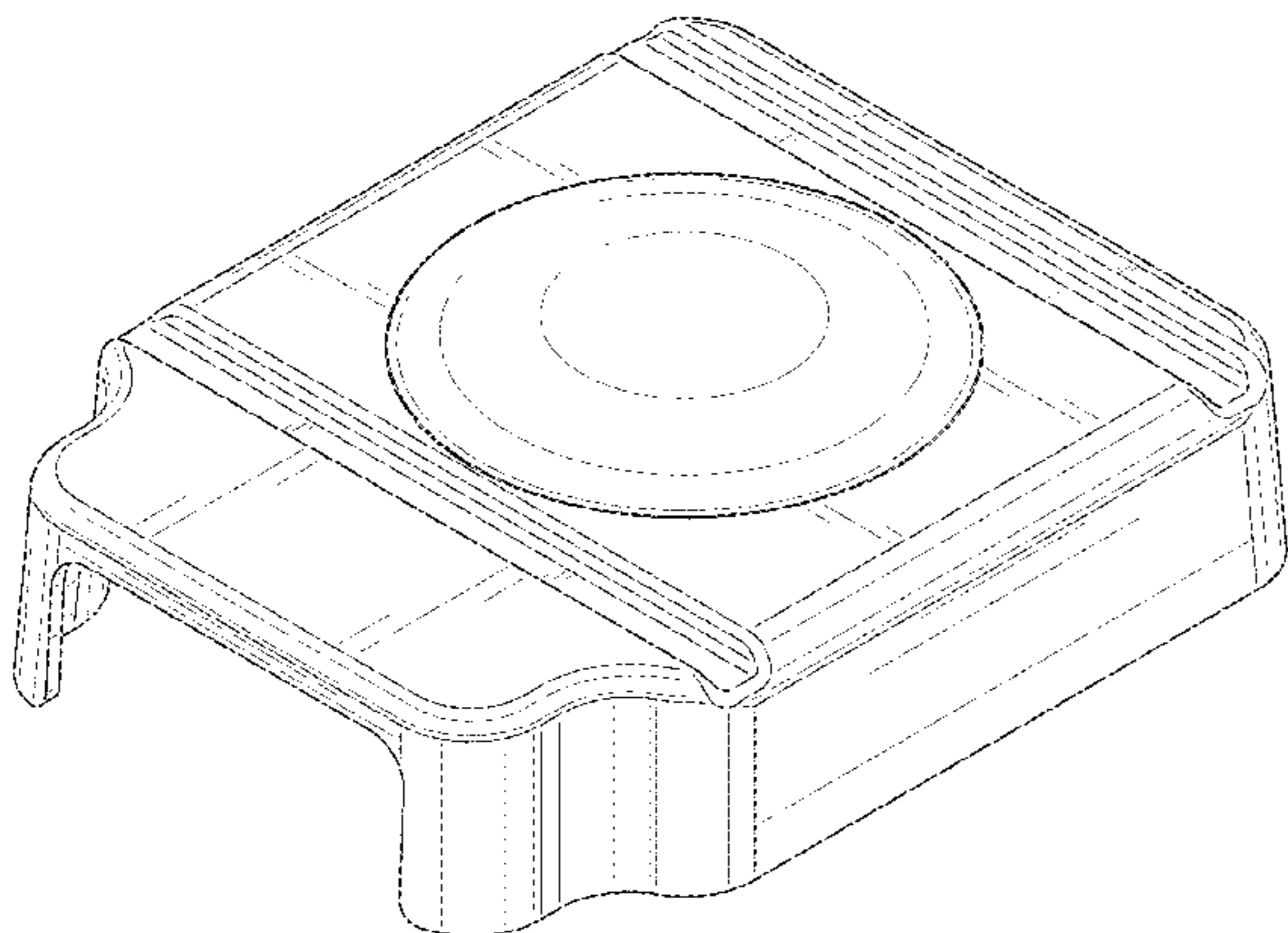
(57) **CLAIM**

The ornamental design for a light cover, as shown and described.

**DESCRIPTION**

FIG. 1 is a front perspective view of a light cover according to a first embodiment;  
FIG. 2 is a rear perspective view thereof;  
FIG. 3 is a bottom plan view thereof;  
FIG. 4 is a top plan view thereof;  
FIG. 5 is an elevation view as viewed from the left side thereof;  
FIG. 6 is an elevation view as viewed from the right side thereof;  
FIG. 7 is a front elevation view thereof;  
FIG. 8 is a rear elevation view thereof;  
FIG. 9 is a front perspective view of a light cover according to a second embodiment;  
FIG. 10 is a rear perspective view thereof;  
FIG. 11 is a bottom plan view thereof;  
FIG. 12 is a top plan view thereof;  
FIG. 13 is an elevation view as viewed from the left side thereof;  
FIG. 14 is an elevation view as viewed from the right side thereof;  
FIG. 15 is a front elevation view thereof; and,  
FIG. 16 is a rear elevation view thereof.

**1 Claim, 16 Drawing Sheets**



(56)

References Cited

U.S. PATENT DOCUMENTS

D385,643 S \* 10/1997 Brohard ..... D26/71  
 D463,054 S \* 9/2002 Huang ..... D26/60  
 D465,868 S \* 11/2002 Gaskins ..... D26/72  
 6,517,221 B1 \* 2/2003 Xie ..... H01S 5/02469  
 257/714  
 D476,440 S \* 6/2003 Lee ..... D26/65  
 D477,104 S \* 7/2003 Wang ..... D26/72  
 D482,813 S \* 11/2003 Waldmann ..... D26/61  
 D501,944 S \* 2/2005 Friedman ..... D26/71  
 D509,313 S \* 9/2005 Friedman ..... D26/71  
 D526,340 S \* 8/2006 Hodgson ..... D16/135  
 D530,039 S \* 10/2006 Blackman ..... D26/85  
 D556,357 S \* 11/2007 Butler ..... D26/71  
 D556,935 S \* 12/2007 Quioque ..... D26/71  
 D556,938 S \* 12/2007 Russello ..... D26/89  
 7,329,030 B1 \* 2/2008 Wang ..... F21V 29/004  
 165/104.11  
 D567,994 S \* 4/2008 Chan ..... D26/104  
 D577,847 S \* 9/2008 Ruud ..... D26/71  
 D578,698 S \* 10/2008 Zheng ..... D26/71  
 D580,085 S \* 11/2008 Svensson ..... D26/71  
 D584,847 S \* 1/2009 Gaskins ..... D26/85  
 D606,700 S \* 12/2009 Sabernig ..... D26/85  
 D608,494 S \* 1/2010 Yang ..... D26/129  
 D609,384 S \* 2/2010 Gray ..... D26/71  
 D609,389 S \* 2/2010 Sabernig ..... D26/87  
 D612,090 S \* 3/2010 Yu ..... D26/71  
 7,695,169 B2 \* 4/2010 Russello ..... F21V 31/00  
 362/369  
 D616,592 S \* 5/2010 Chen ..... D26/71  
 D617,033 S \* 6/2010 Gaskins ..... D26/71  
 D624,685 S \* 9/2010 Ham ..... D26/71  
 D627,093 S \* 11/2010 Shiau ..... D26/71  
 D628,739 S \* 12/2010 Lu ..... D26/113  
 D634,048 S \* 3/2011 Lombardi ..... D26/85  
 D634,465 S \* 3/2011 Siefker ..... D26/71

D643,958 S \* 8/2011 Lin ..... D26/71  
 D648,474 S \* 11/2011 Wong ..... D26/71  
 D650,117 S \* 12/2011 Lu ..... D26/118  
 D652,978 S \* 1/2012 Boissevain ..... D26/71  
 D653,382 S \* 1/2012 Sekowski ..... D26/118  
 D658,604 S \* 5/2012 Egawa ..... D13/180  
 D664,704 S \* 7/2012 Boyer ..... D26/92  
 D665,940 S \* 8/2012 Lane ..... D26/71  
 D676,177 S \* 2/2013 Akinrele ..... D26/71  
 D676,179 S \* 2/2013 Sandell ..... D26/85  
 D676,180 S \* 2/2013 Sandell ..... D26/92  
 D676,181 S \* 2/2013 Sandell ..... D26/92  
 D690,457 S \* 9/2013 Lu ..... D26/118  
 8,523,400 B2 \* 9/2013 Lin ..... F21S 8/086  
 362/153  
 D695,437 S \* 12/2013 Johnson ..... D26/71  
 D709,634 S \* 7/2014 Coulbeaut ..... D26/71  
 D713,091 S \* 9/2014 Guercio ..... D26/92  
 D713,583 S \* 9/2014 Yu ..... D26/71  
 D730,567 S \* 5/2015 Lee ..... D26/104  
 D737,163 S \* 8/2015 Yamamoto ..... D10/106.6  
 2004/0095773 A1 \* 5/2004 Gaskins ..... F21V 21/116  
 362/370  
 2006/0082994 A1 \* 4/2006 Wang ..... F21K 9/00  
 362/227

OTHER PUBLICATIONS

Off Road Light Kit, image post date Mar. 12, 2010, site visited Jan. 6, 2016, (online), <<https://www.tineye.com/search/9e17fb21c5164b11da11fadd271d011ba2ee58b4/>>.\*  
 Orbit Street Light, image post date Sep. 9, 2012, site visited Jan. 6, 2016, (online), <[http://web.archive.org/web/20120909013738/http://www.spanco.biz/pro\\_StreetLight.htm](http://web.archive.org/web/20120909013738/http://www.spanco.biz/pro_StreetLight.htm)>.\*  
 Waterfall Faucet, image post date Apr. 14, 2008, site visited Jan. 6, 2016, (online), <<https://www.tineye.com/search/a38751e8c8065b09b0fac944e00a807c0e4cfbca/>>.\*

\* cited by examiner

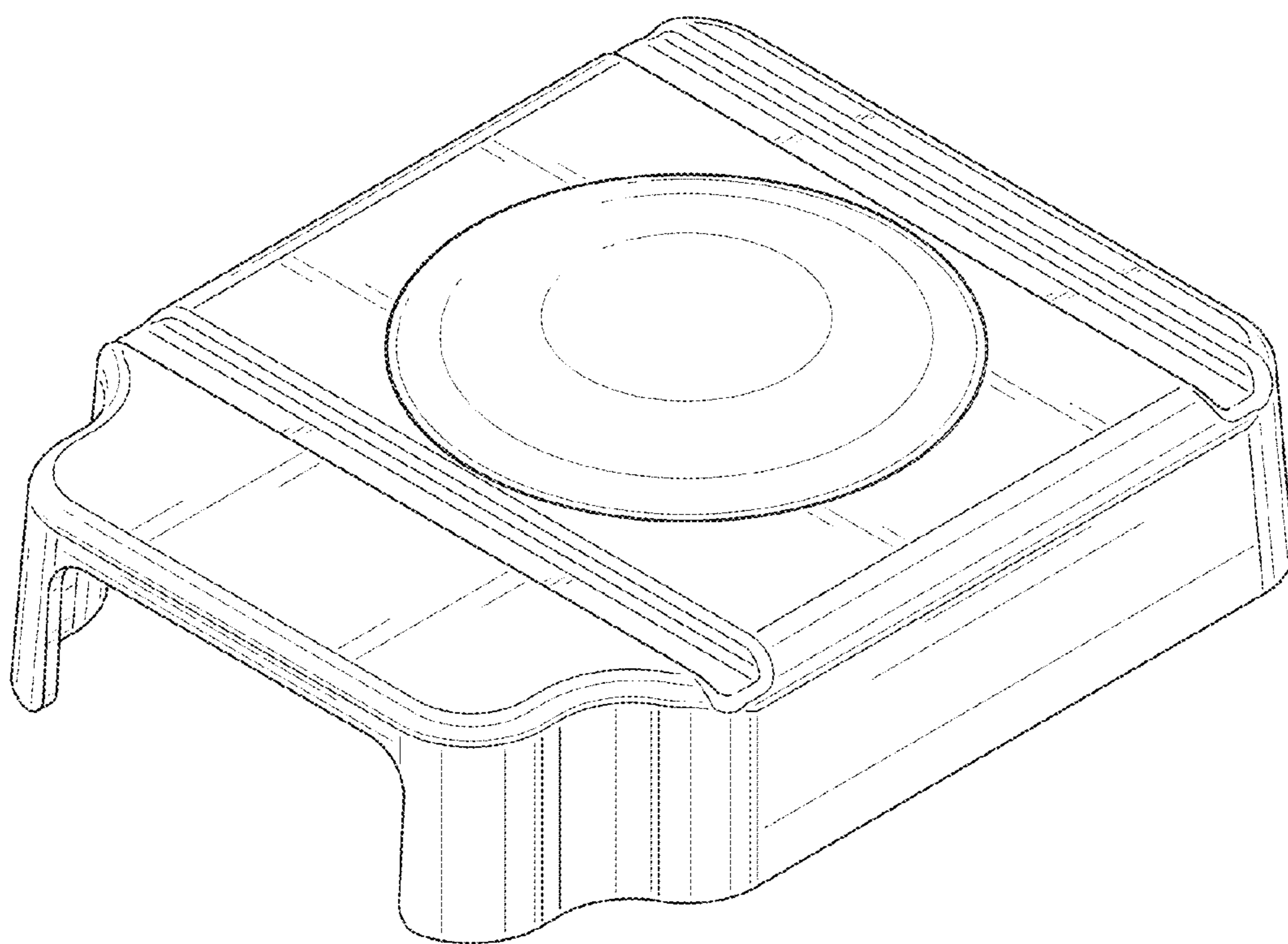


FIG. 1

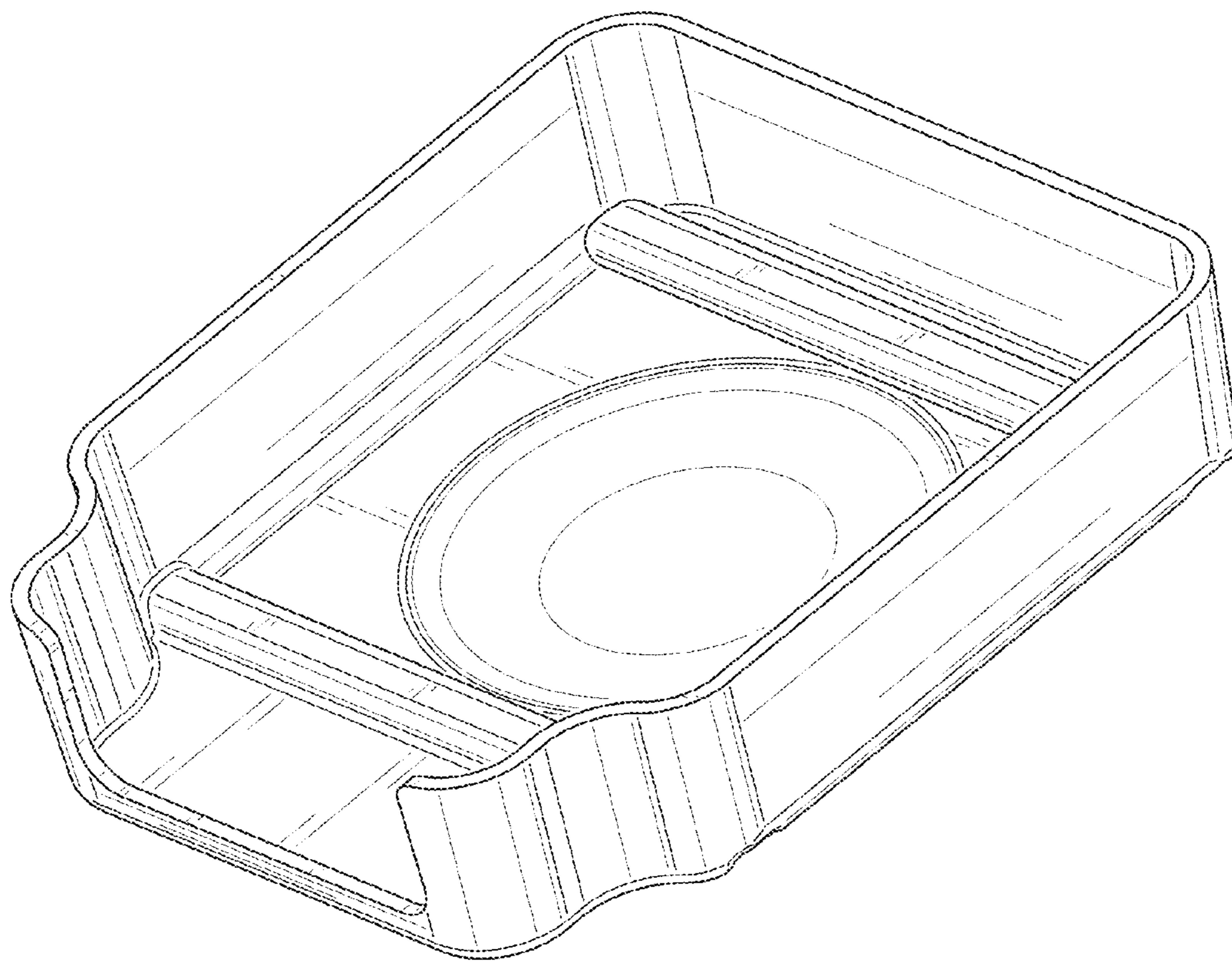


FIG. 2

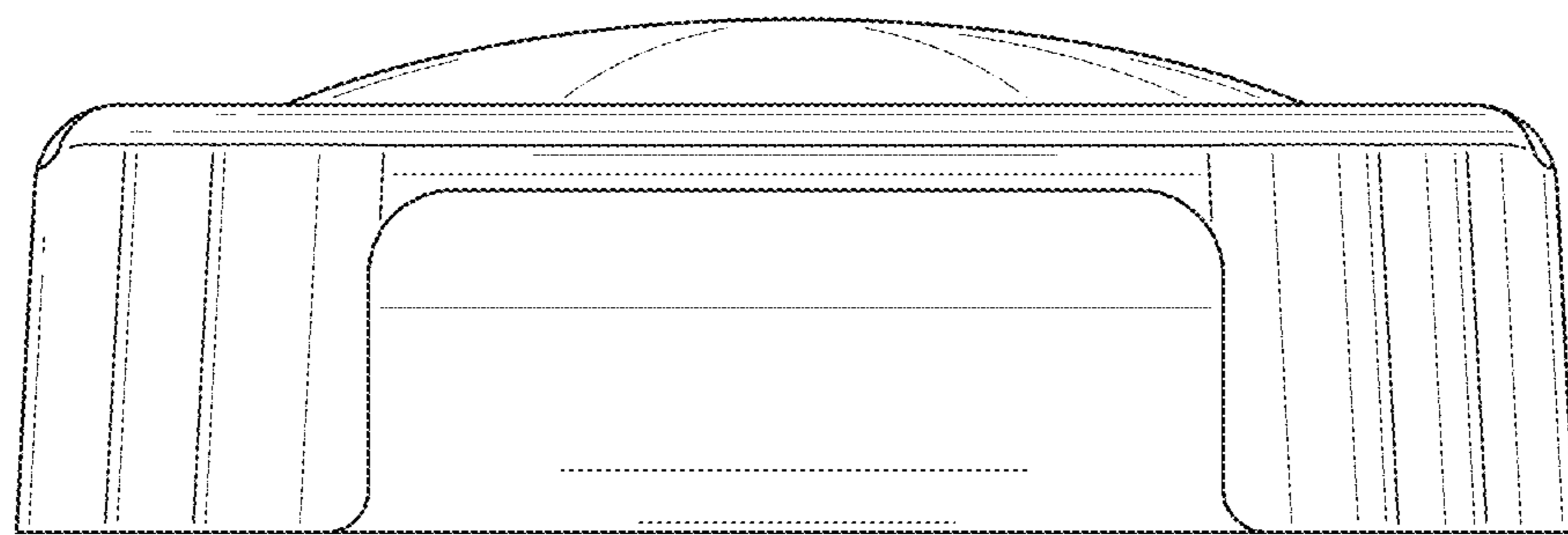


FIG. 3

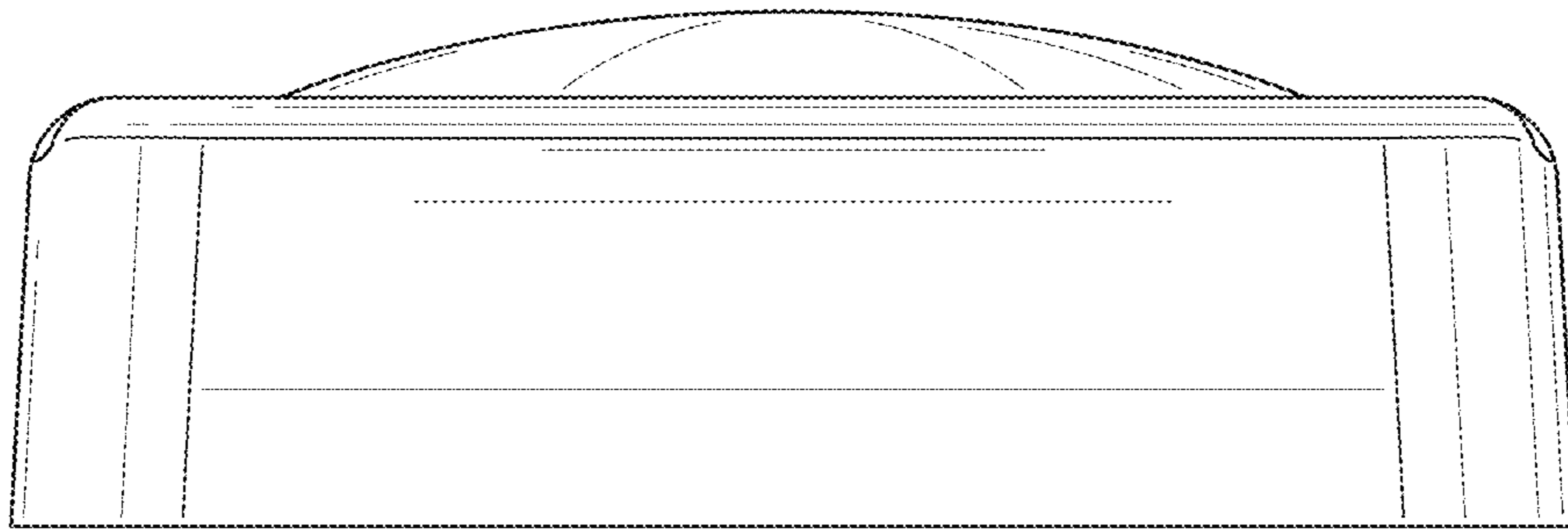


FIG. 4

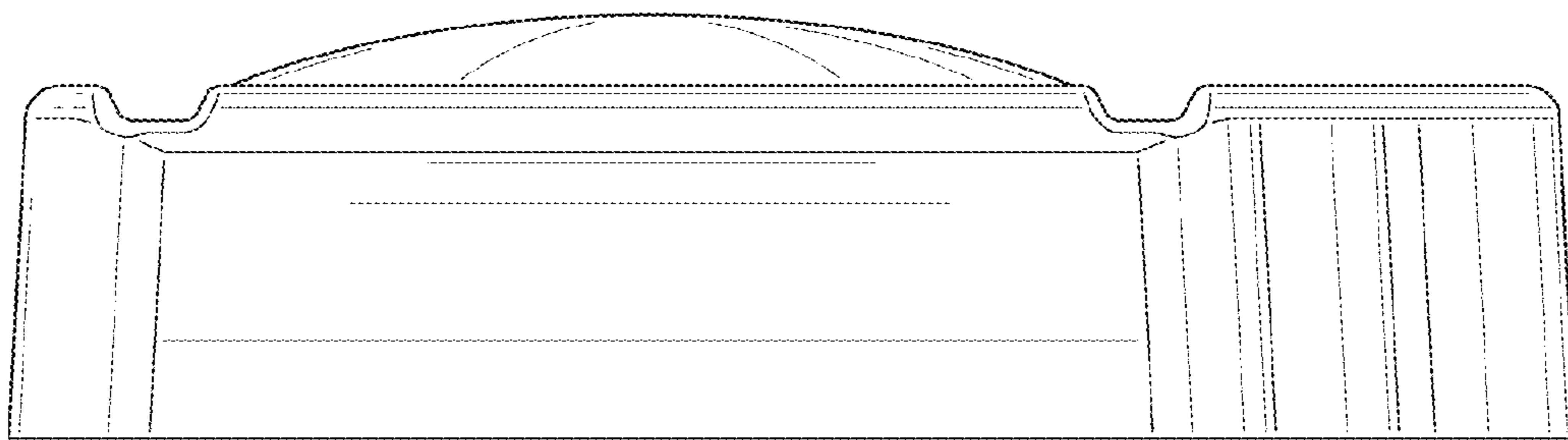


FIG. 5

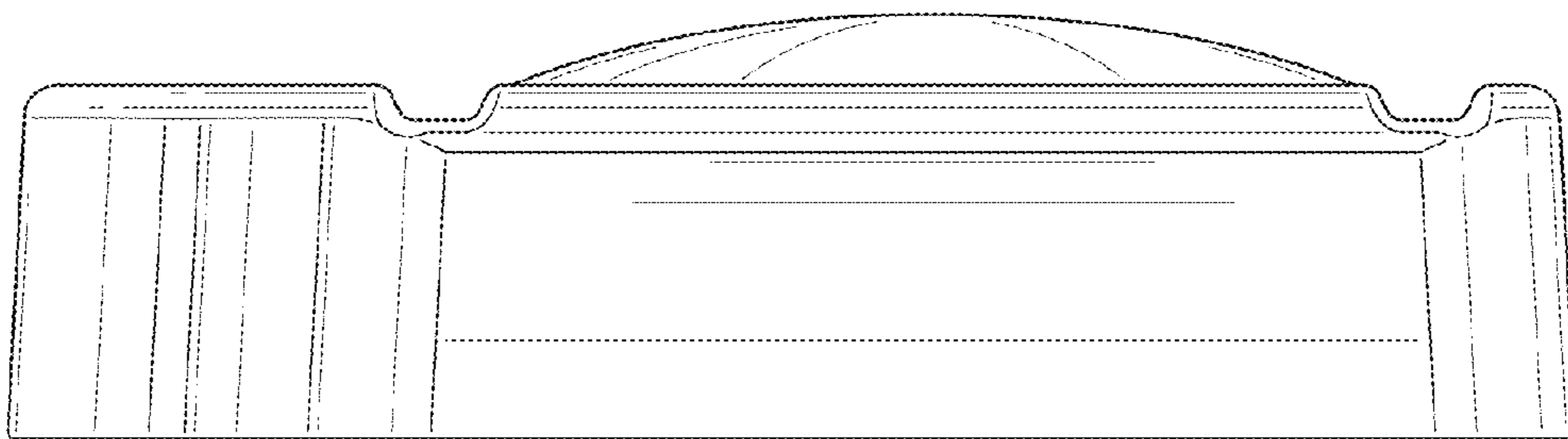


FIG. 6



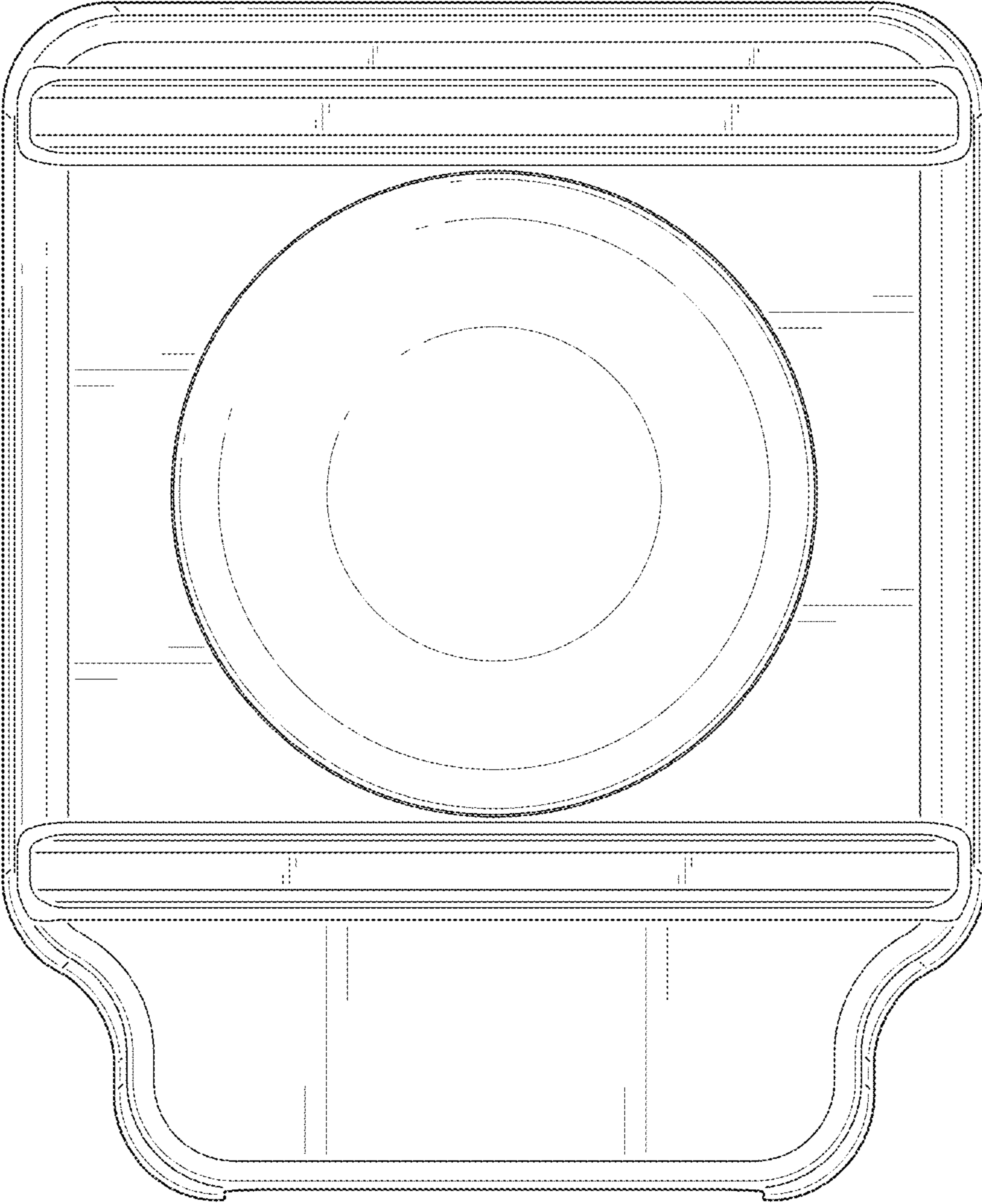


FIG. 7

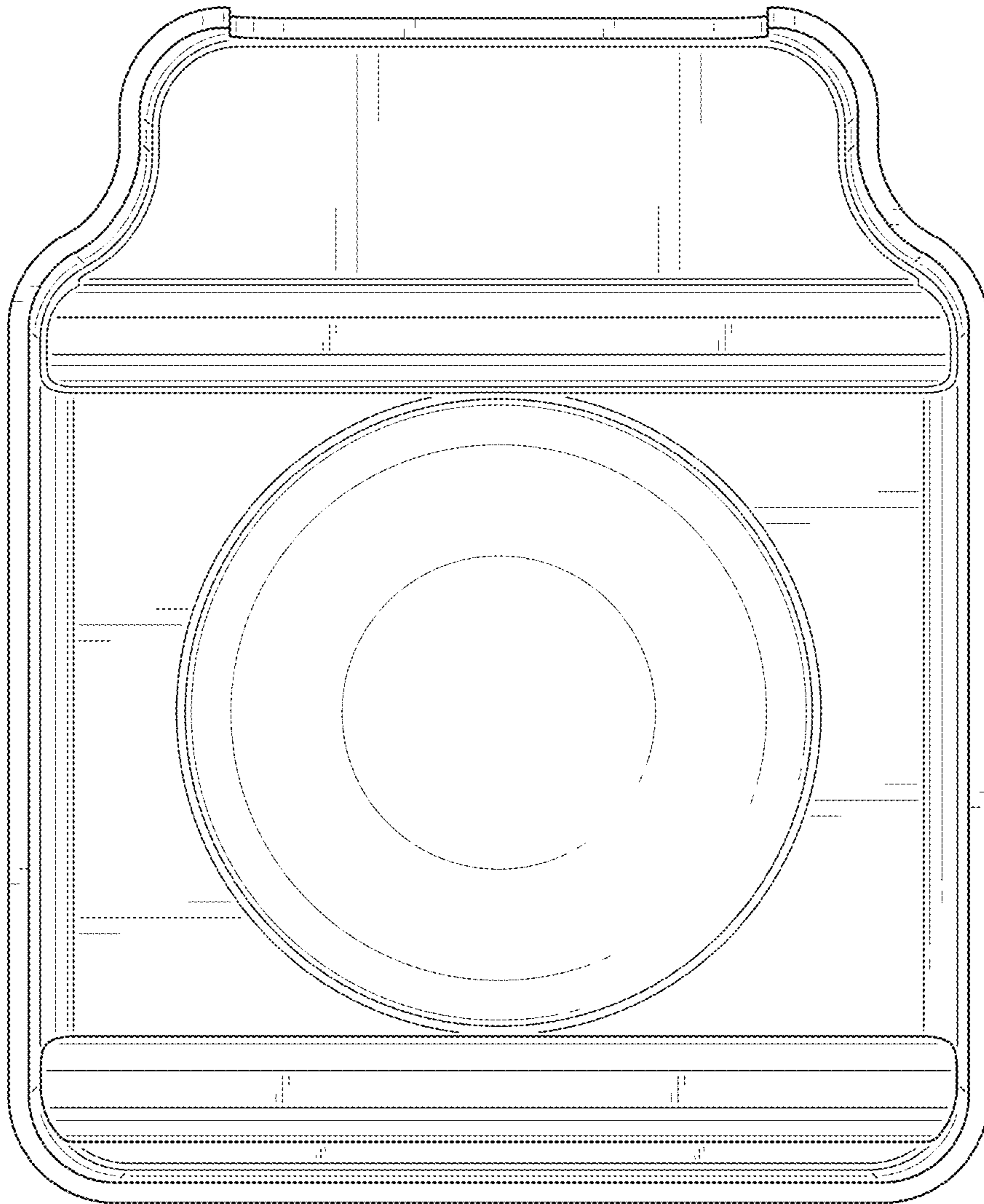


FIG. 8

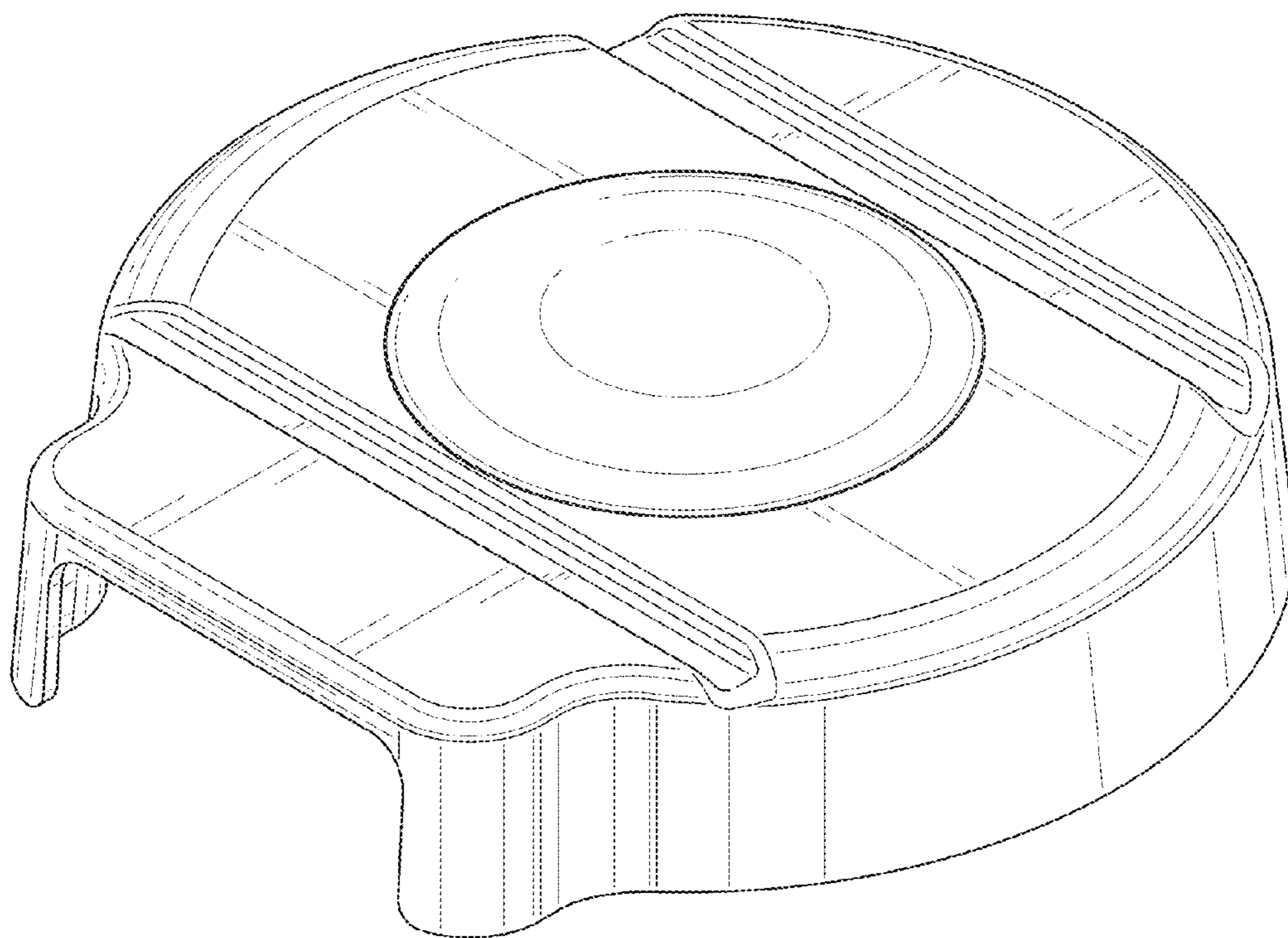


FIG. 9

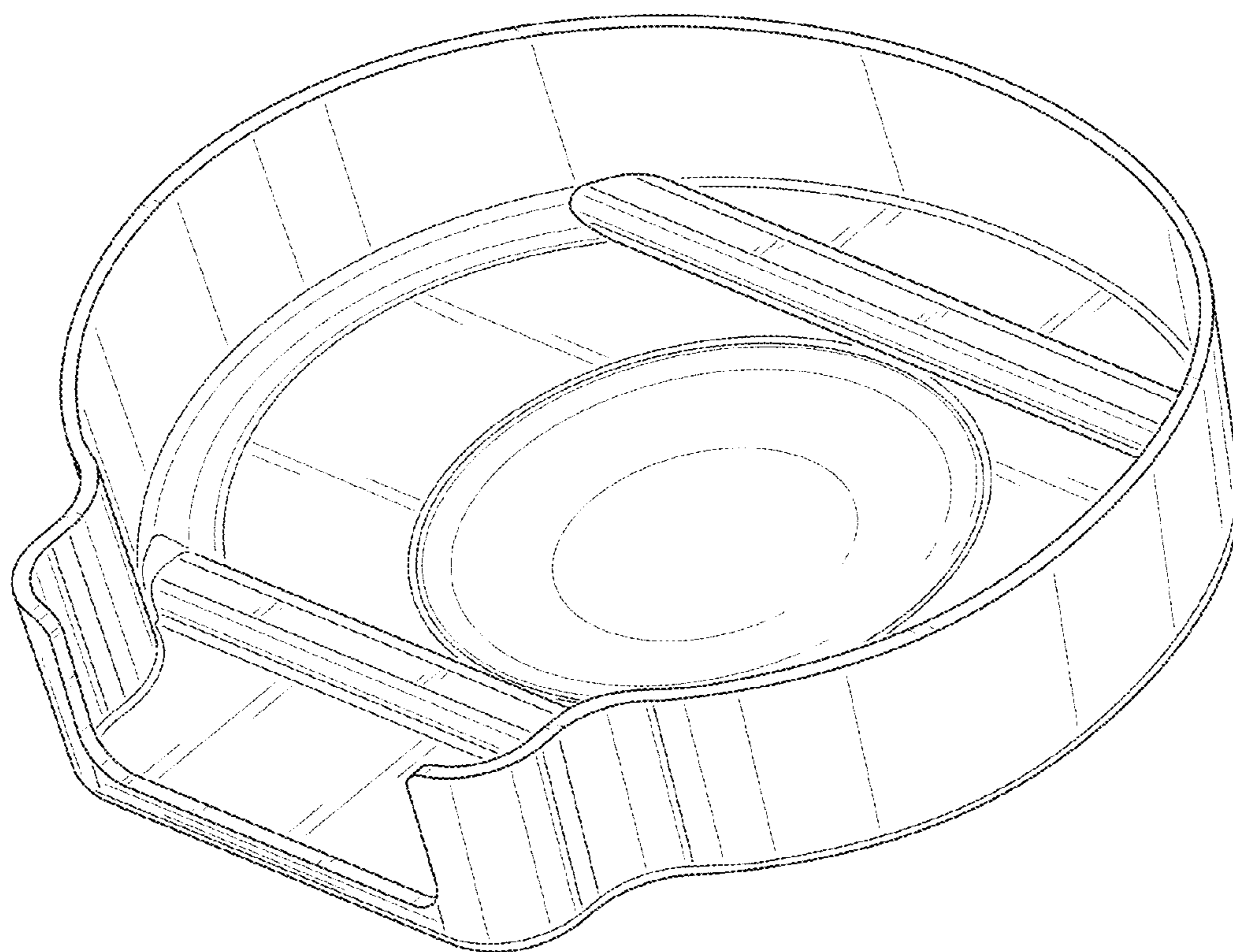


FIG. 10

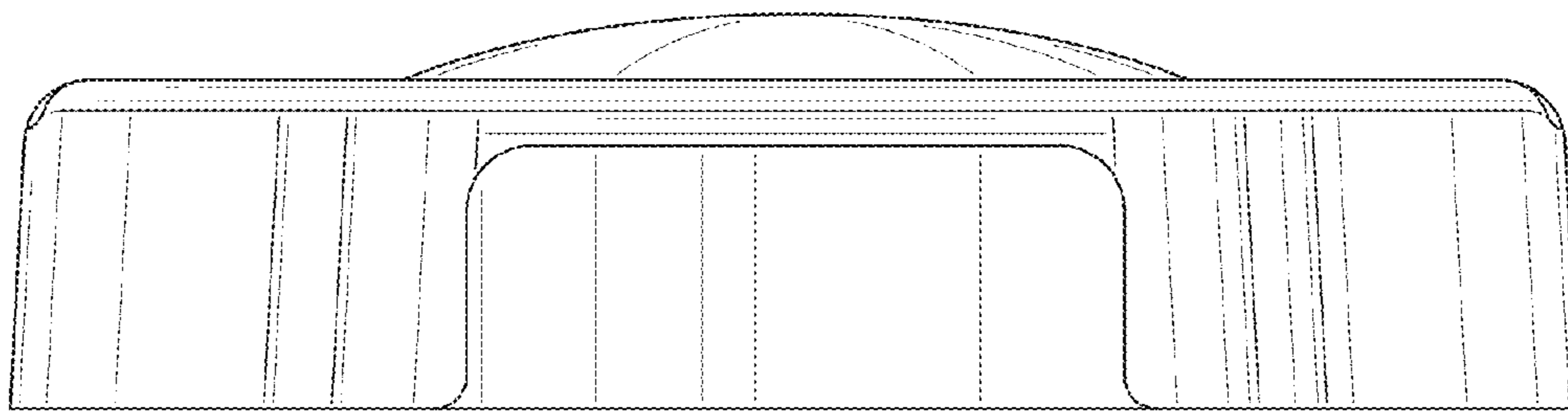


FIG. 11

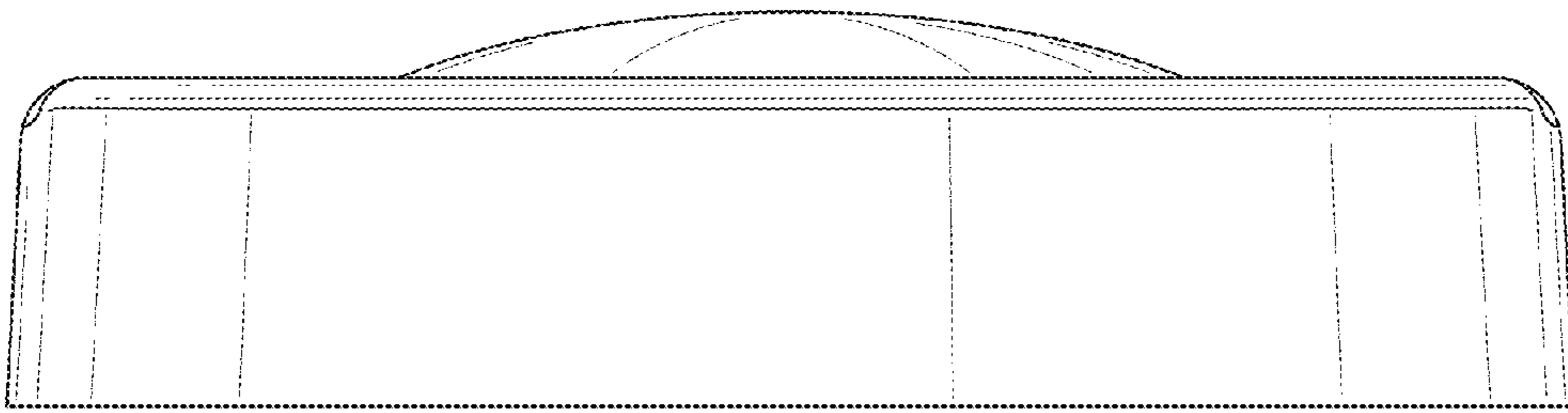


FIG. 12

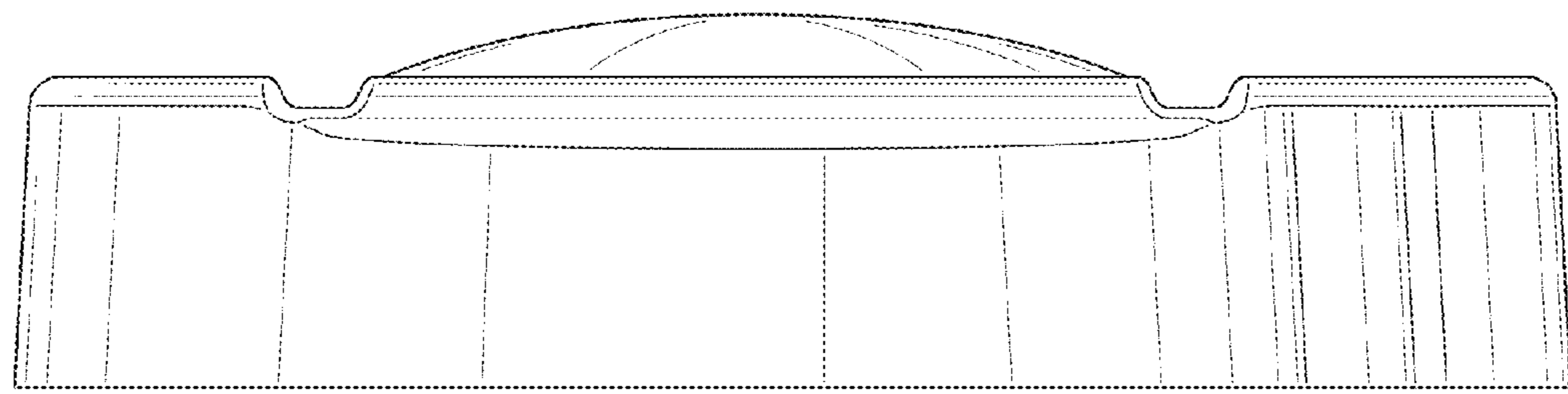


FIG. 13

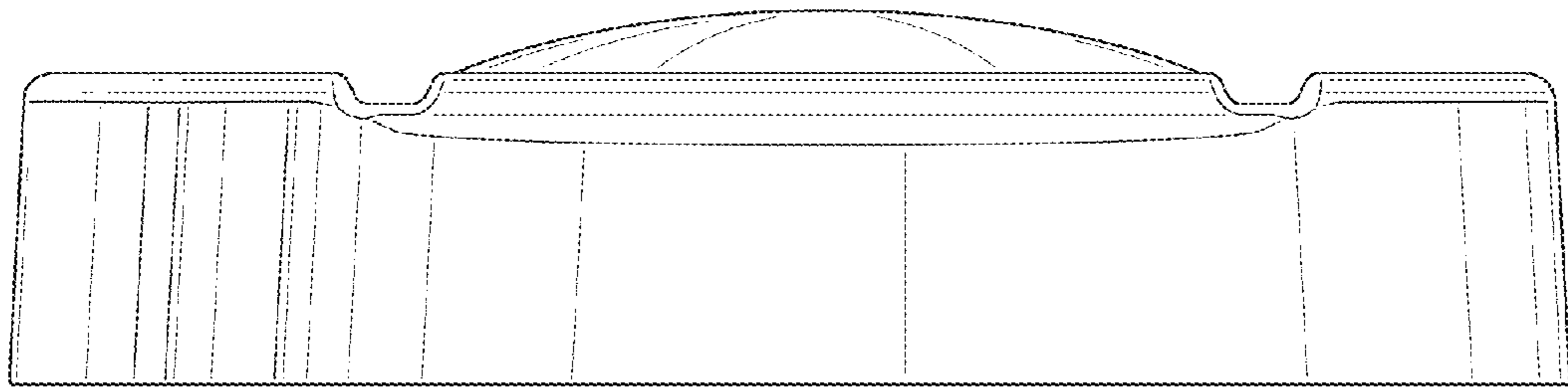


FIG. 14



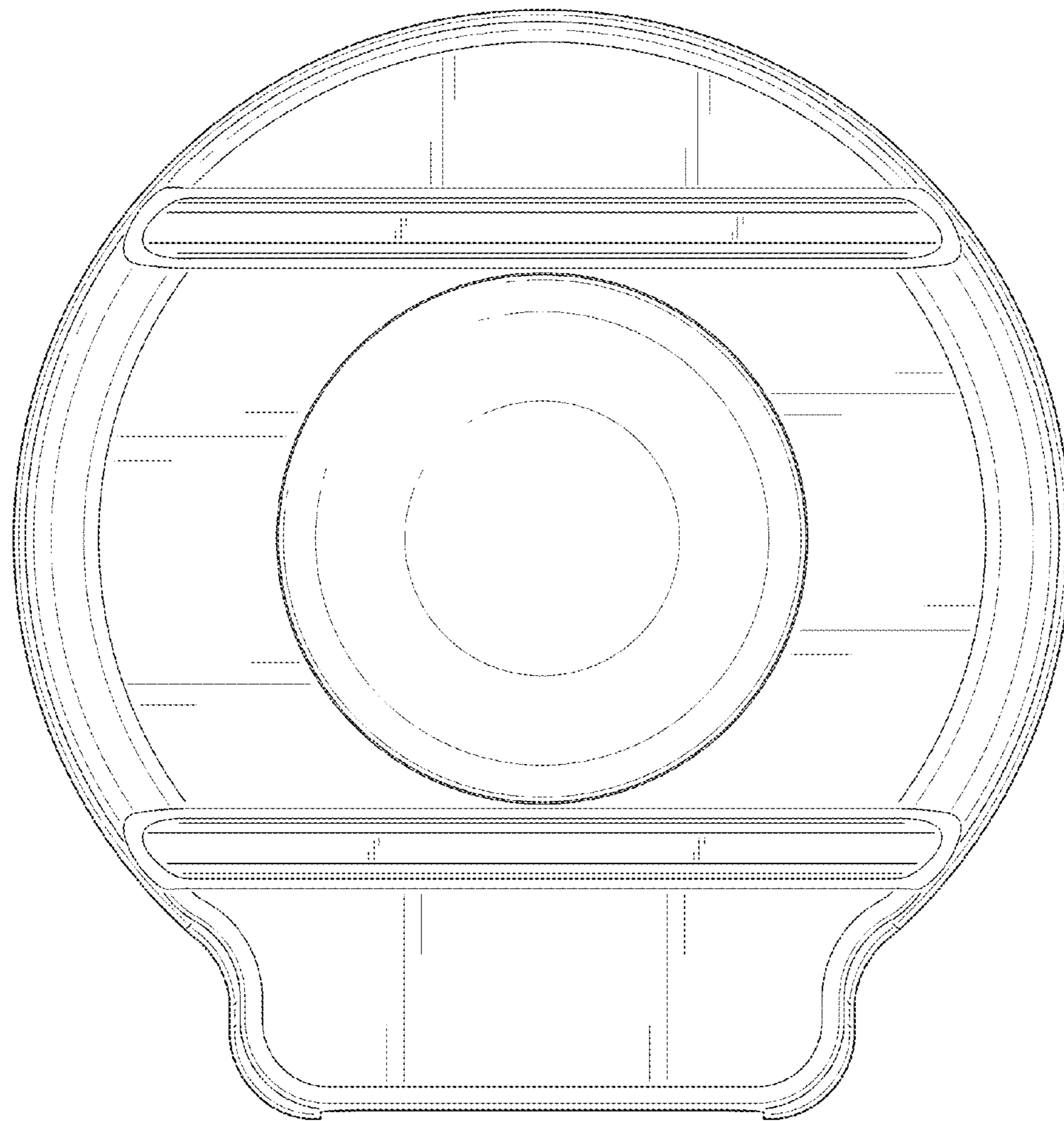


FIG. 15

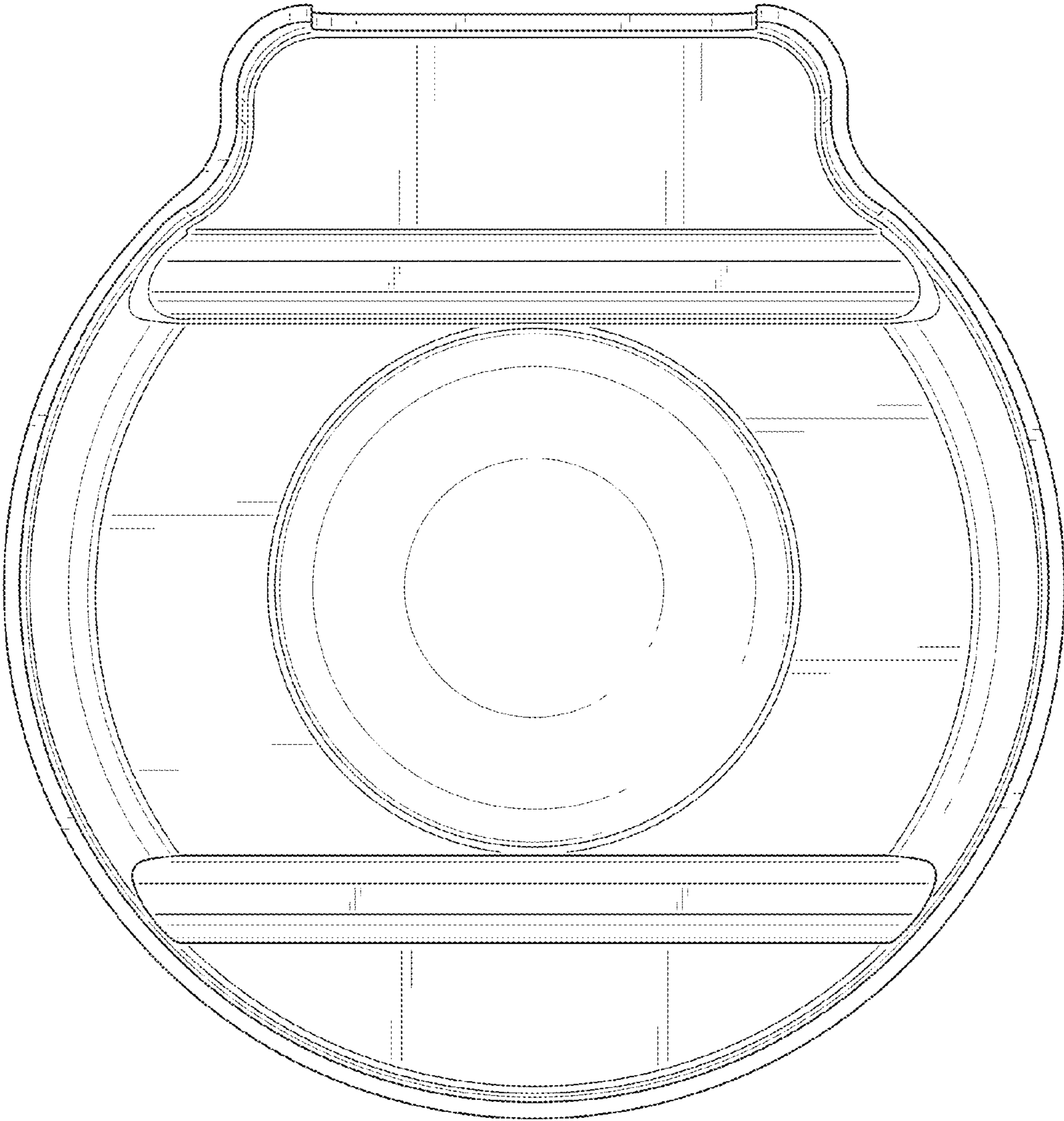


FIG. 16