



US00D757990S

(12) **United States Design Patent**
Giovannoni

(10) **Patent No.:** **US D757,990 S**
(45) **Date of Patent:** **** May 31, 2016**

(54) **TABLE LAMP**

D625,459 S * 10/2010 Brusemini D26/93
D664,283 S * 7/2012 Sofield D26/93
D676,593 S * 2/2013 McGowen D26/93

(71) Applicant: **SLAMP S.P.A.**, Pomezia (IT)

(72) Inventor: **Elisa Giovannoni**, Pomezia (IT)

(73) Assignee: **SLAMP S.P.A.** (IT)

(**) Term: **14 Years**

(21) Appl. No.: **29/513,013**

(22) Filed: **Dec. 24, 2014**

(30) **Foreign Application Priority Data**

Sep. 16, 2014 (WO) DM/084 517

(51) **LOC (10) Cl.** **26-03**

(52) **U.S. Cl.**
USPC **D26/110**

(58) **Field of Classification Search**
USPC D26/24, 93, 104, 106, 110
CPC F21S 6/00; F21S 6/002; F21S 6/004;
F21S 6/008; F21S 8/08; F21V 21/00; F21V
21/02; F21V 2131/30; F21V 1/00; F21V 1/02;
F21V 1/04
See application file for complete search history.

(56) **References Cited**

U.S. PATENT DOCUMENTS

D614,343 S * 4/2010 Chiu D26/93
D625,041 S * 10/2010 Starck D26/93

OTHER PUBLICATIONS

Slamp Flash Mag, Sep. 2014.
Newsletter, http://www.slamp.it/news/201409-new-collection/new-collection_IT.html, Sep. 2014.

* cited by examiner

Primary Examiner — Brian N Vinson

(74) *Attorney, Agent, or Firm* — HersHKovitz & Associates, PLLC; Abe HersHKovitz

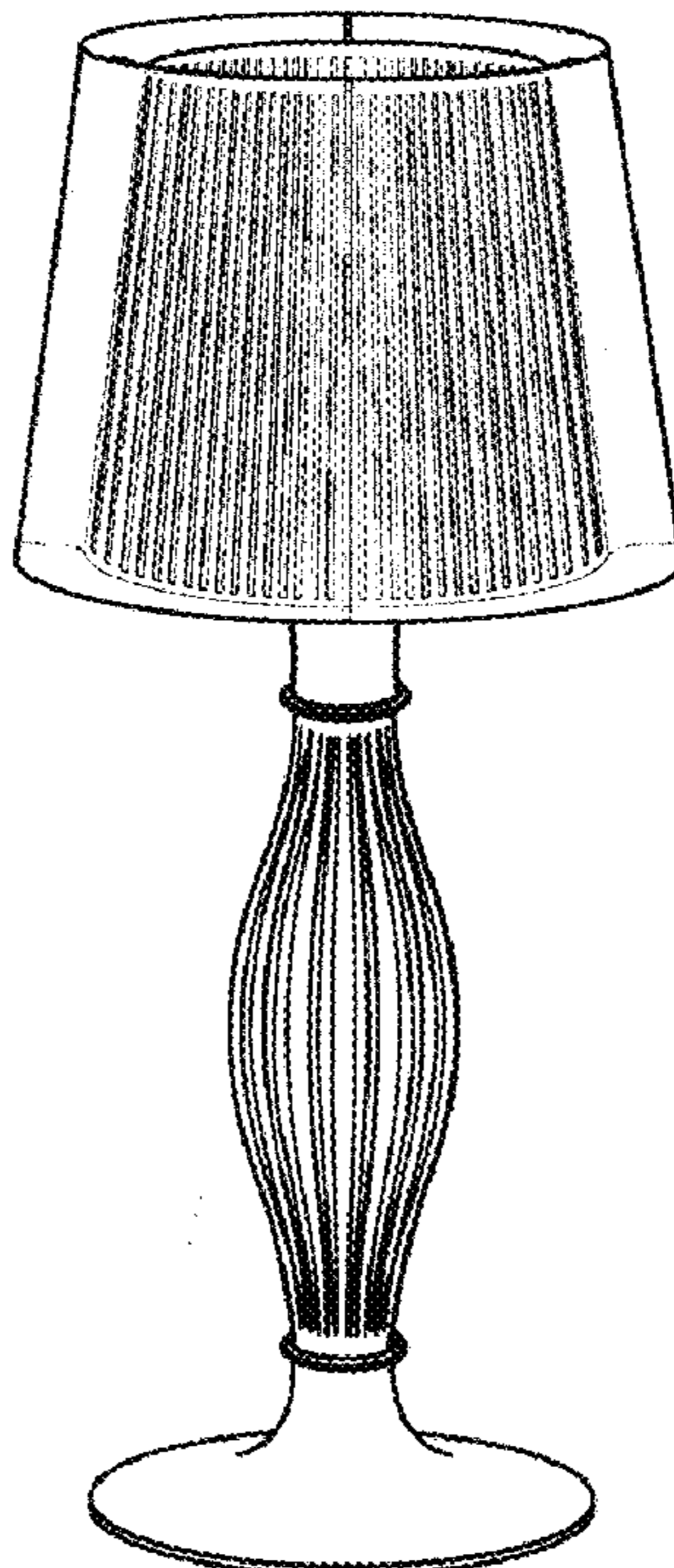
(57) **CLAIM**

I claim the new, original and ornamental design for a table lamp, as shown.

DESCRIPTION

FIG. 1 is a perspective view of a lamp;
FIG. 2 is a side view of the lamp of FIG. 1;
FIG. 3 is a front view of the lamp of FIG. 1;
FIG. 4 is a side view of the lamp of FIG. 1;
FIG. 5 is a rear view of the lamp of FIG. 1;
FIG. 6 is a top view of the lamp of FIG. 1; and,
FIG. 7 is a bottom view of the lamp of FIG. 1.
The broken-line disclosure represents portions of the table lamp which form no part of the claimed design.

1 Claim, 1 Drawing Sheet



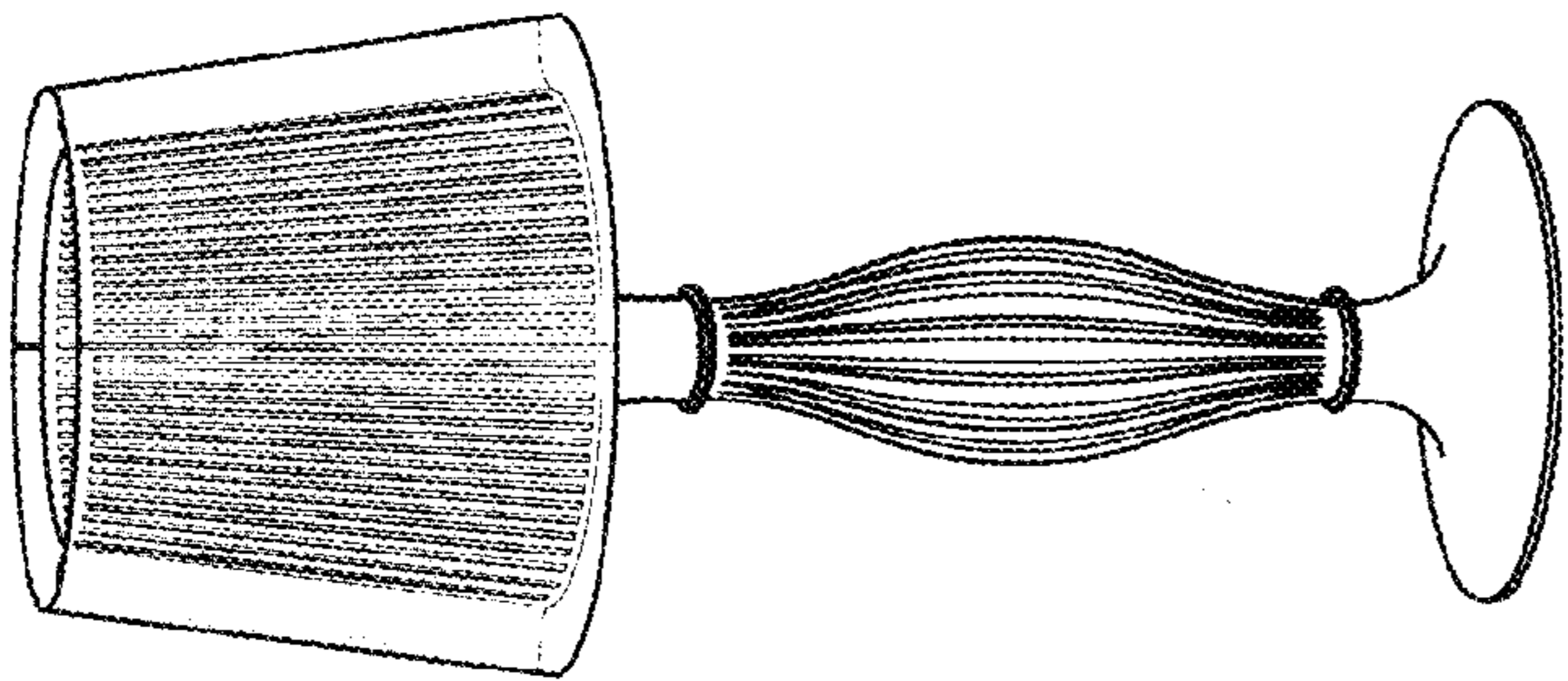


Fig. 1

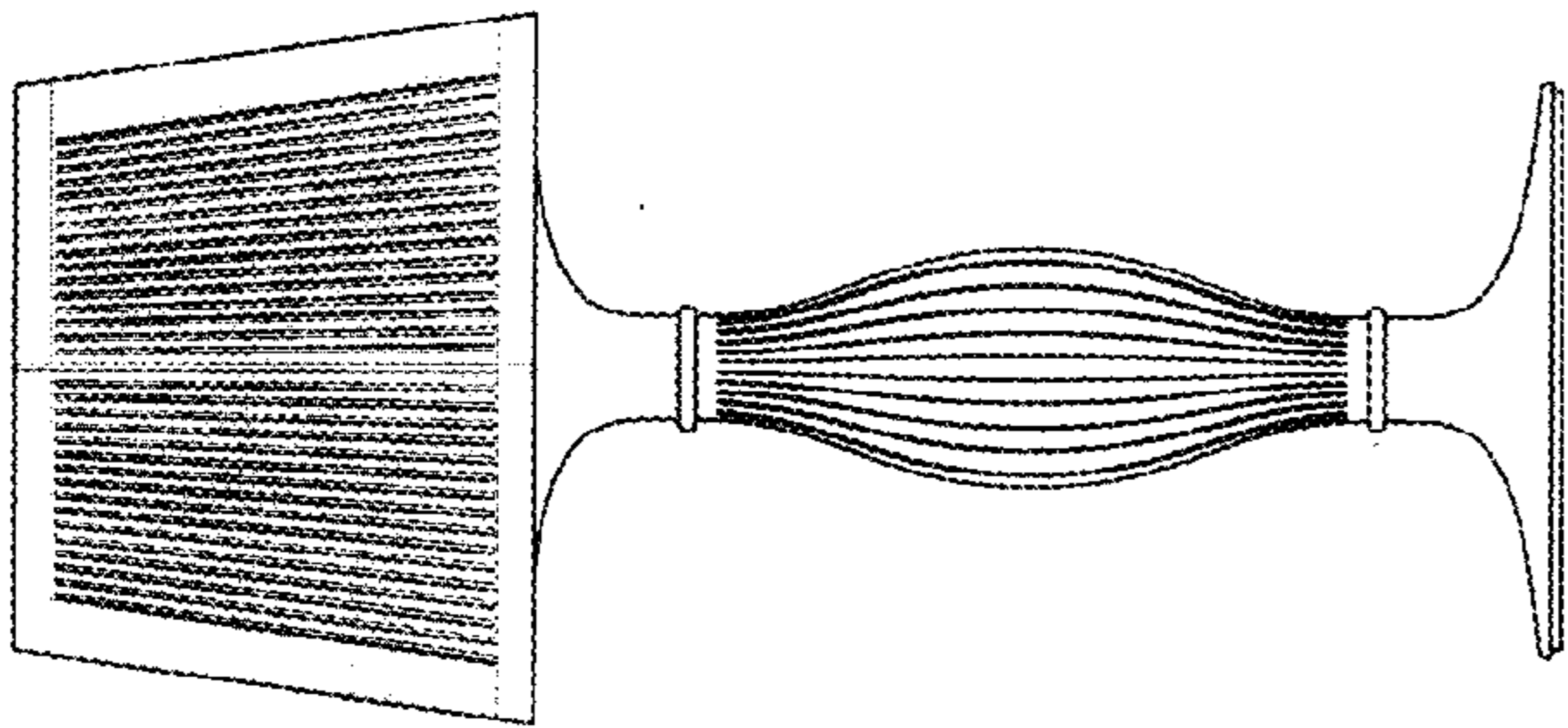


Fig. 2

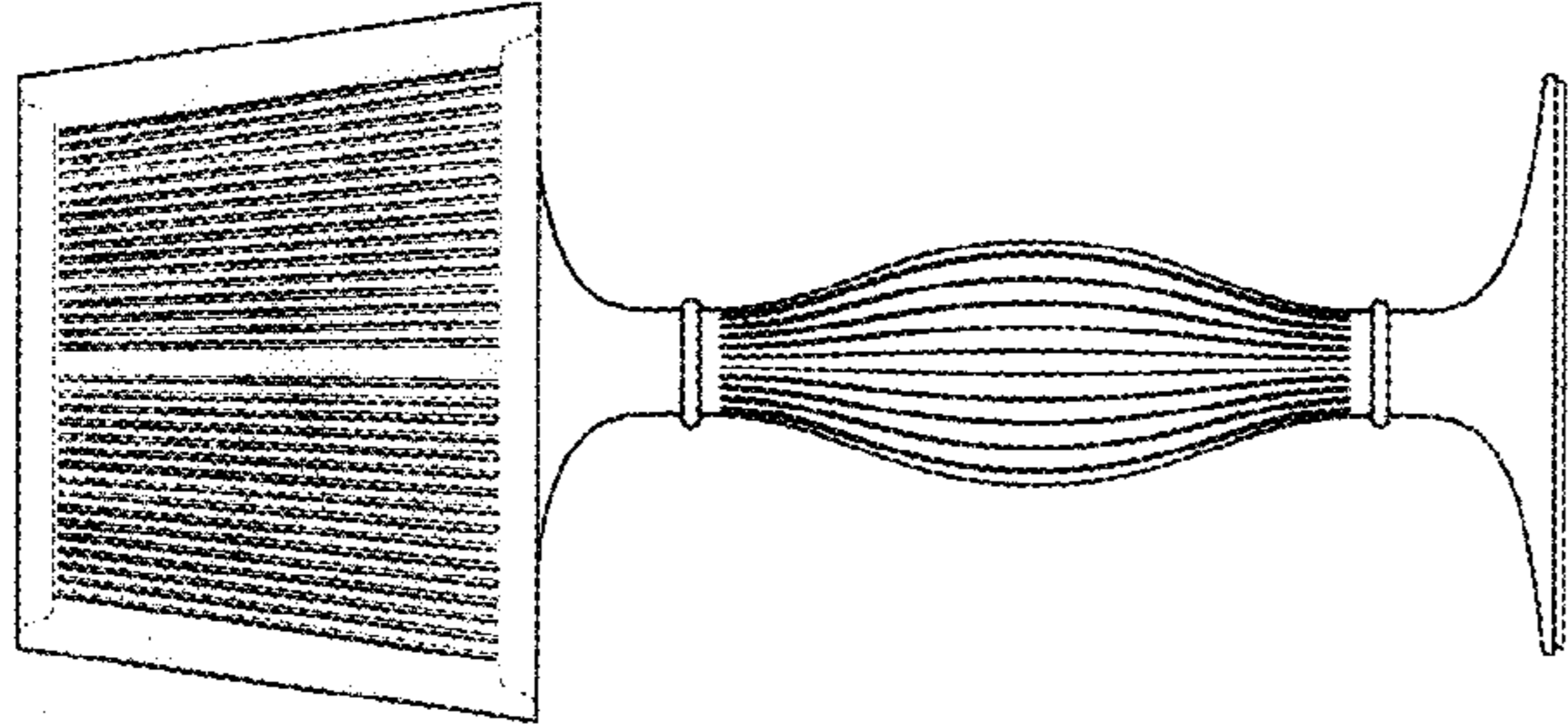


Fig. 3

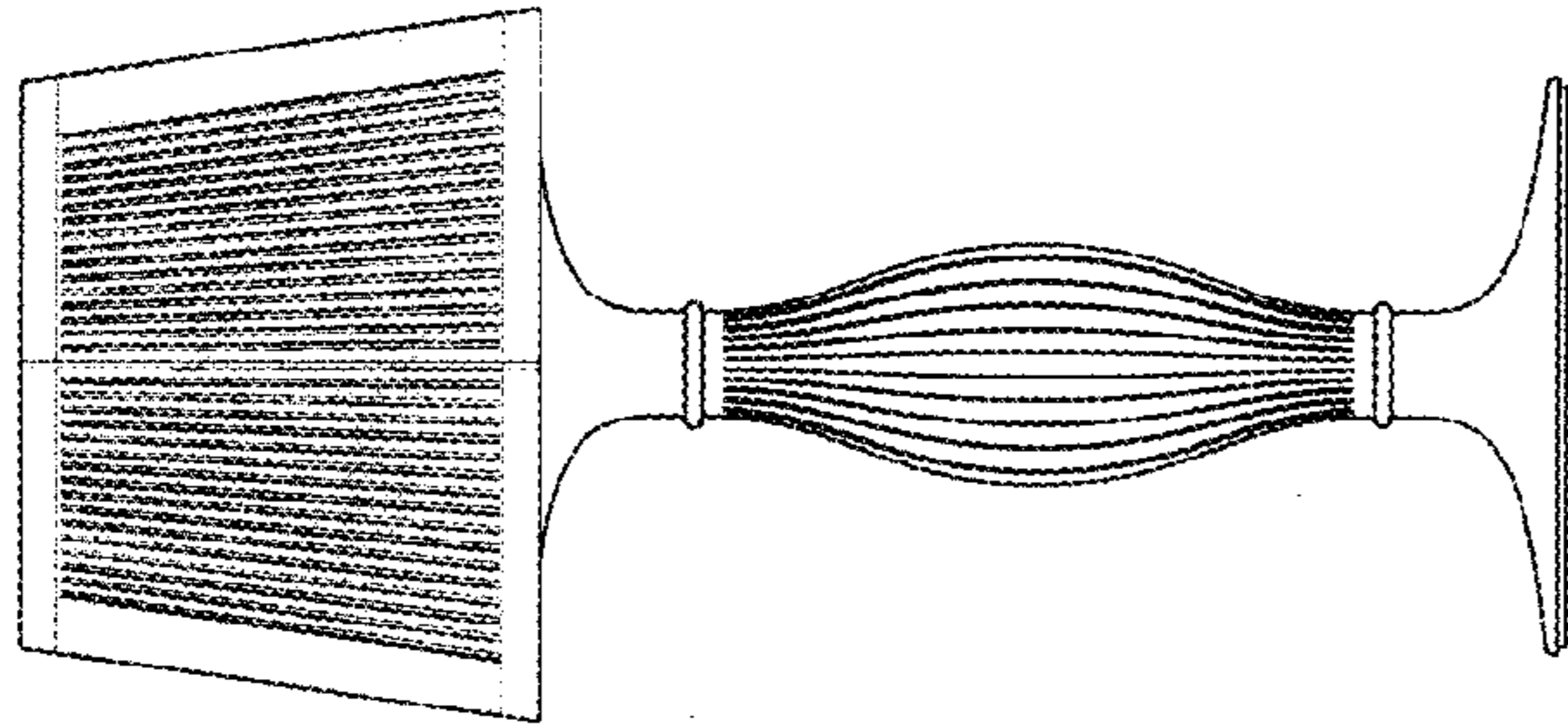


Fig. 4

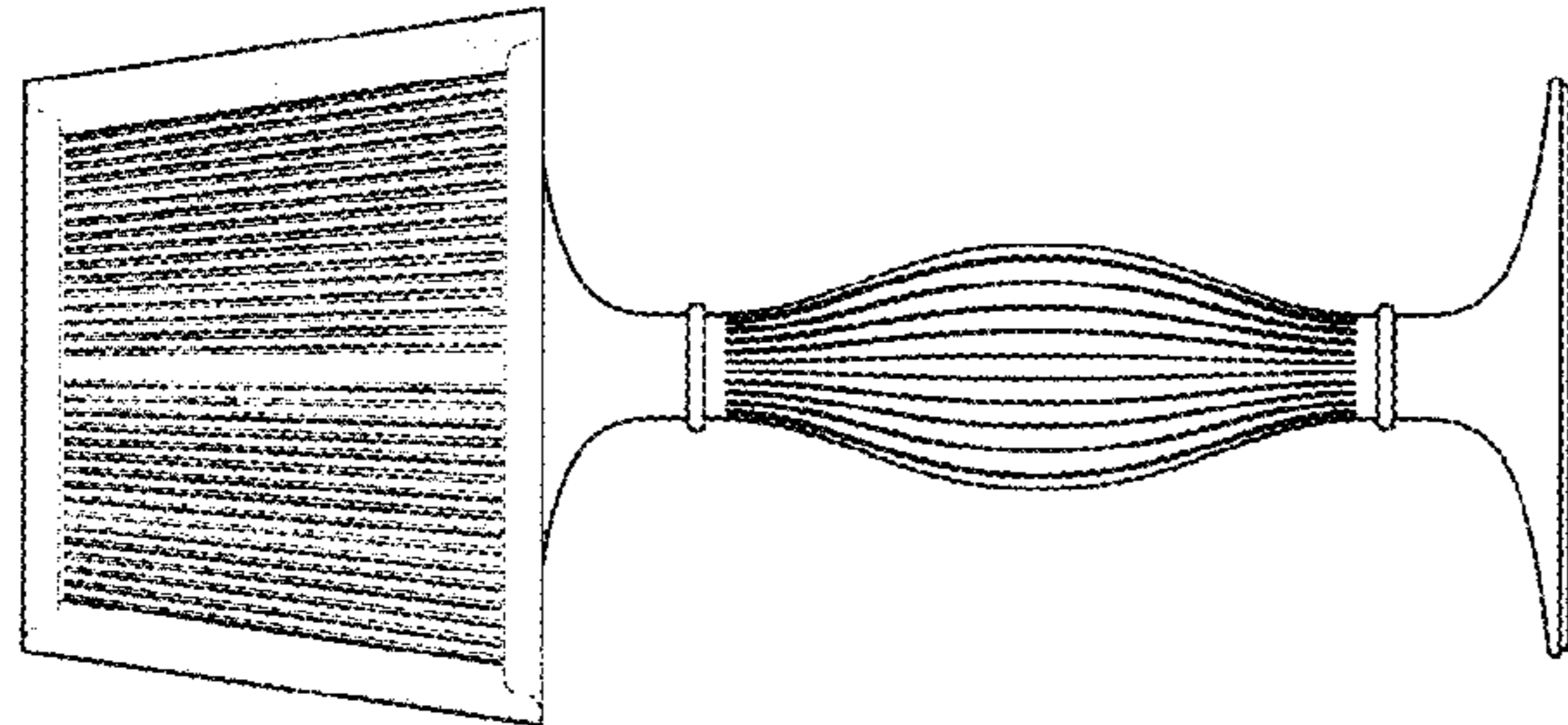


Fig. 5

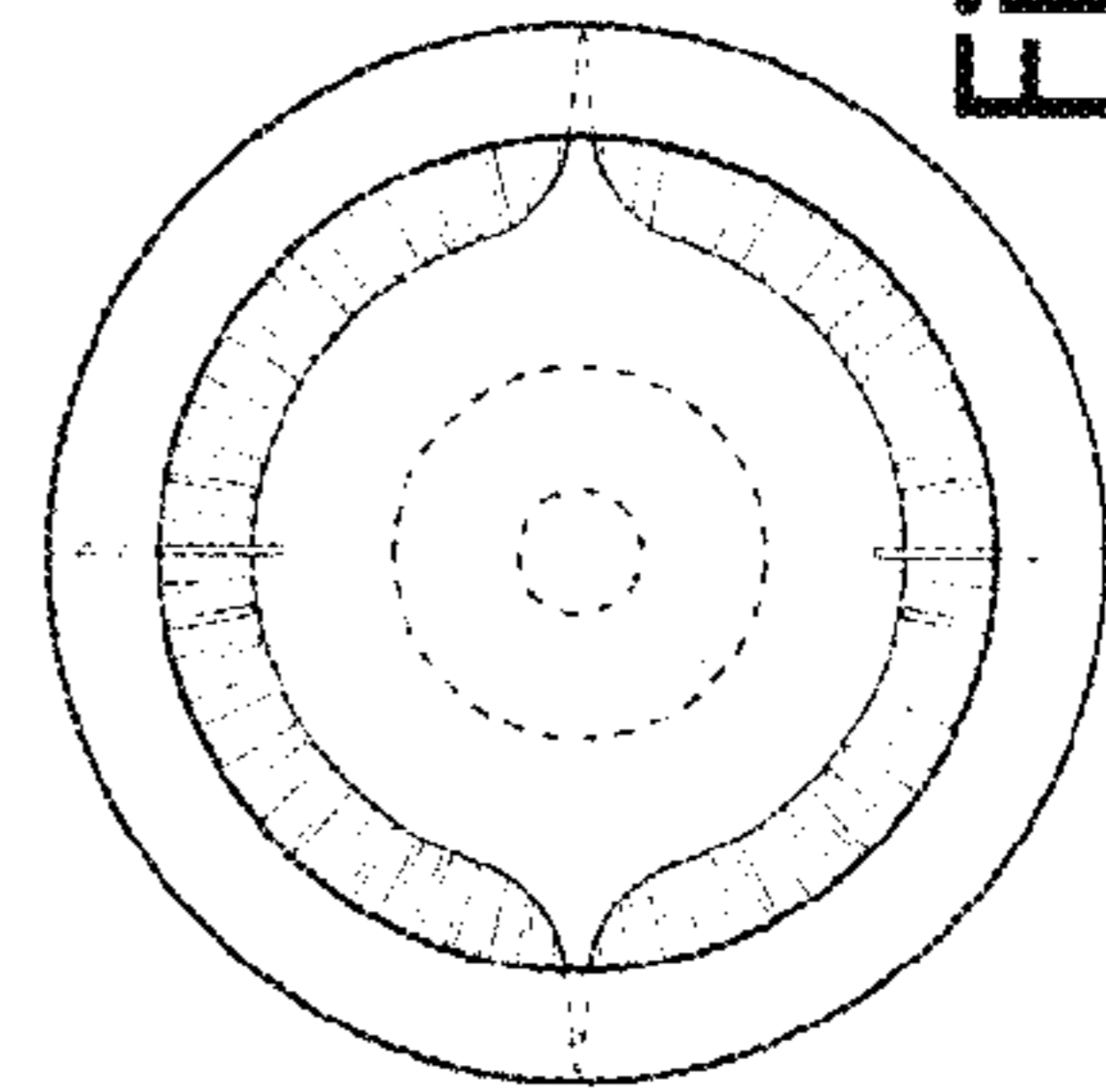


Fig. 6

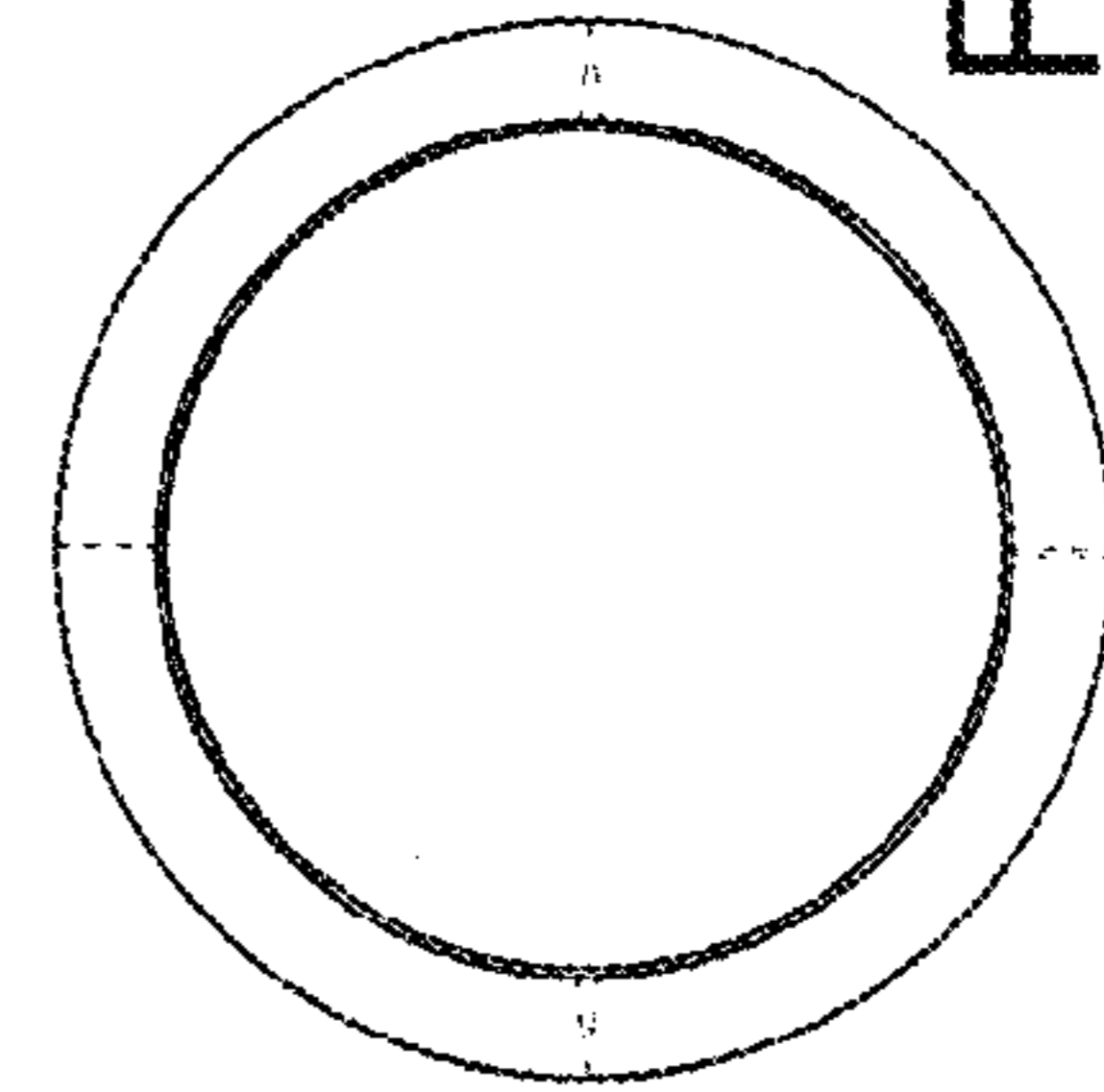


Fig. 7