



US00D757987S

(12) **United States Design Patent**  
**Lee et al.**

(10) **Patent No.:** **US D757,987 S**  
(45) **Date of Patent:** **\*\* May 31, 2016**

(54) **DOUBLE LAMP**

(71) Applicants: **Sunny Lee**, Huizhou (CN); **Yongjun Zhang**, Huizhou (CN)

(72) Inventors: **Sunny Lee**, Huizhou (CN); **Yongjun Zhang**, Huizhou (CN)

(73) Assignee: **Walsun Lighting (Huizhou) Co., Ltd.**, Huizhou (CN)

(\*\*) Term: **14 Years**

(21) Appl. No.: **29/498,390**

(22) Filed: **Aug. 4, 2014**

(30) **Foreign Application Priority Data**

Apr. 29, 2014 (CN) ..... 2014 3 0110969

(51) **LOC (10) Cl.** ..... **26-03**

(52) **U.S. Cl.**  
USPC ..... **D26/102**

(58) **Field of Classification Search**  
USPC ..... D26/24, 61, 63, 65, 93, 102  
CPC ..... F21S 6/00; F21S 6/002; F21S 6/004;  
F21S 6/005; F21S 6/008; F21S 8/08; F21V  
21/02; F21V 21/14; F21W 2131/30

See application file for complete search history.

(56) **References Cited**

U.S. PATENT DOCUMENTS

D420,758 S \* 2/2000 Yang ..... D26/106  
D603,994 S \* 11/2009 Sabernig ..... D26/65  
D628,338 S \* 11/2010 Sabernig ..... D26/65

\* cited by examiner

*Primary Examiner* — Brian N Vinson

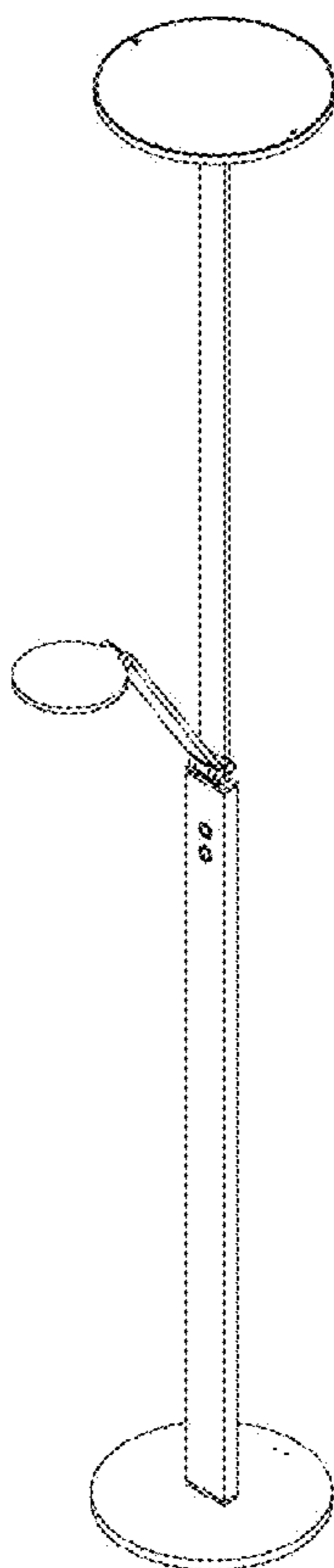
(57) **CLAIM**

The ornamental design for a double lamp, as shown and described.

**DESCRIPTION**

FIG. 1 is a perspective view of a double lamp showing our new design;  
FIG. 2 is a front elevational view thereof;  
FIG. 3 is a rear elevational view thereof;  
FIG. 4 is a left side elevational view thereof;  
FIG. 5 is a right side elevational view thereof;  
FIG. 6 is a top plan view thereof; and,  
FIG. 7 is a bottom plan view thereof.

**1 Claim, 6 Drawing Sheets**



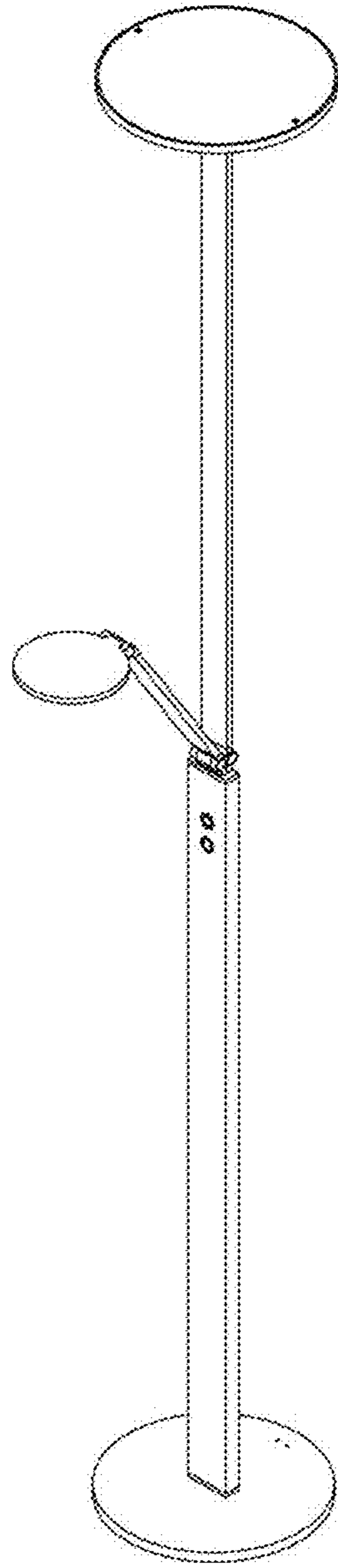


FIG.1

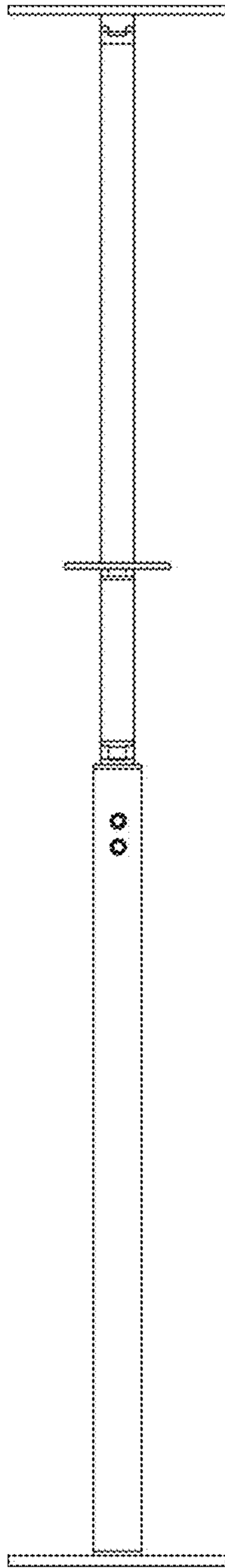


FIG.2

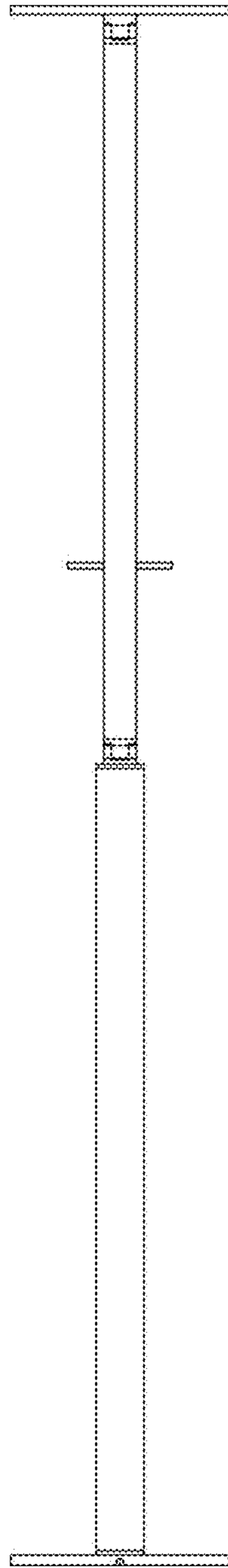


FIG.3

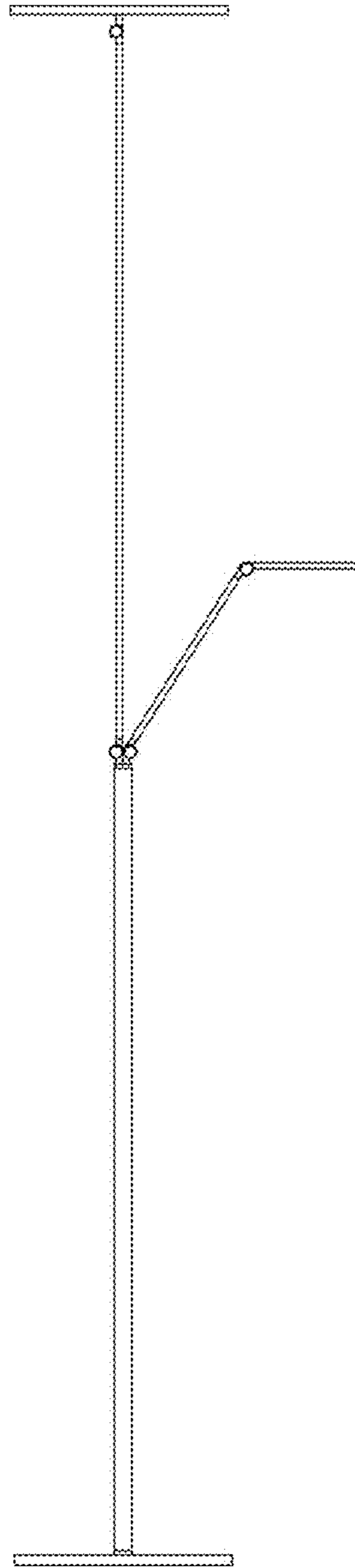


FIG.4

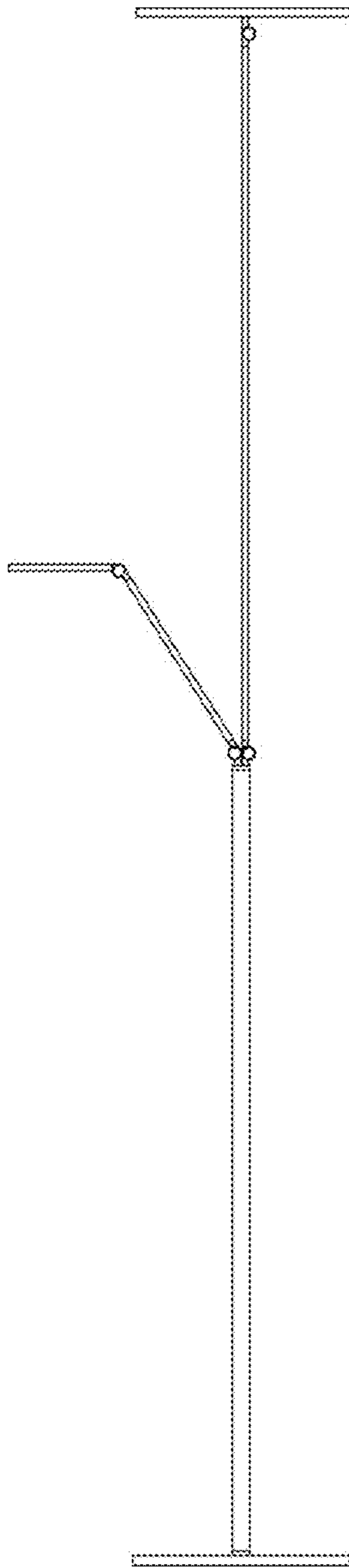


FIG.5

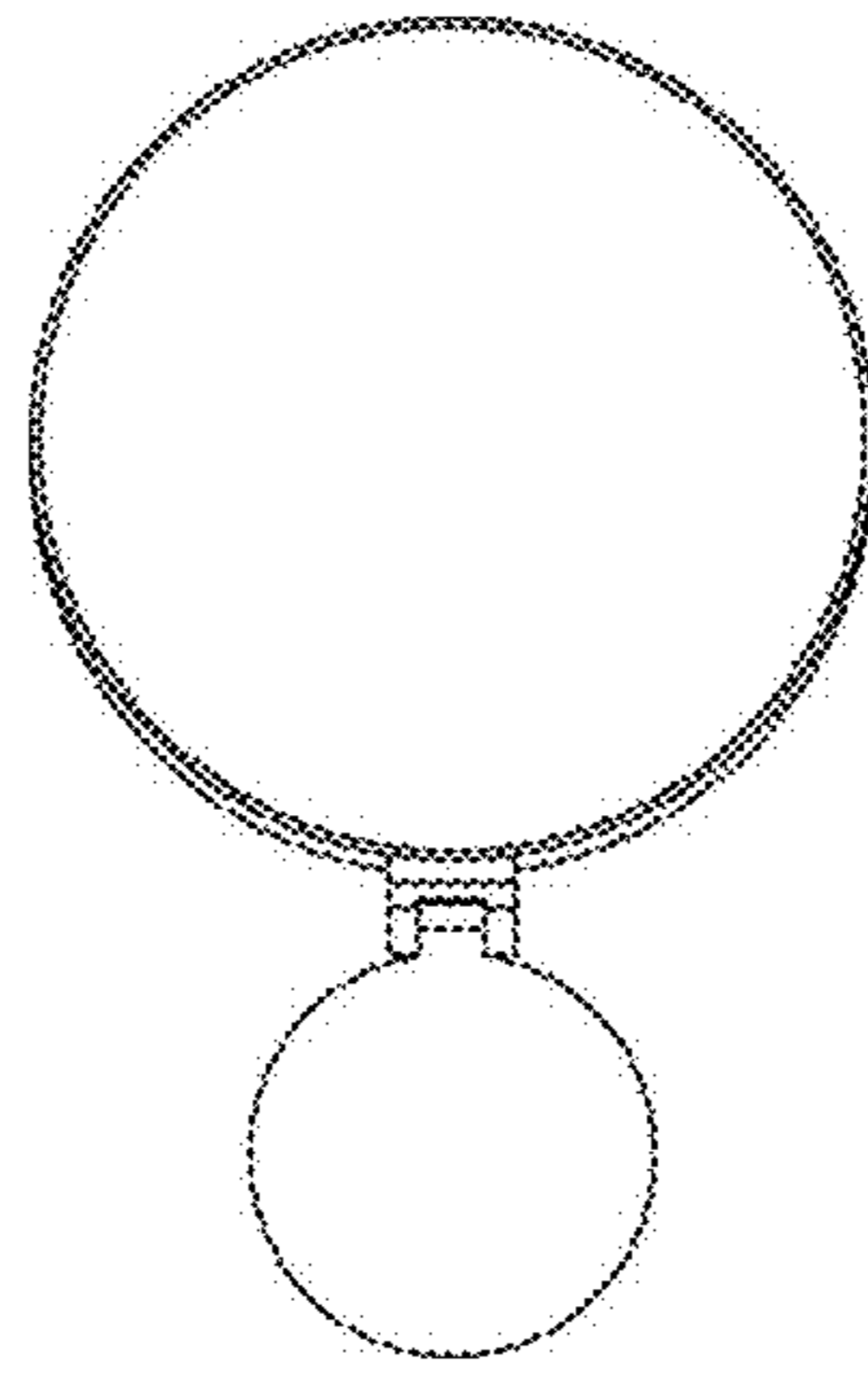


FIG. 6

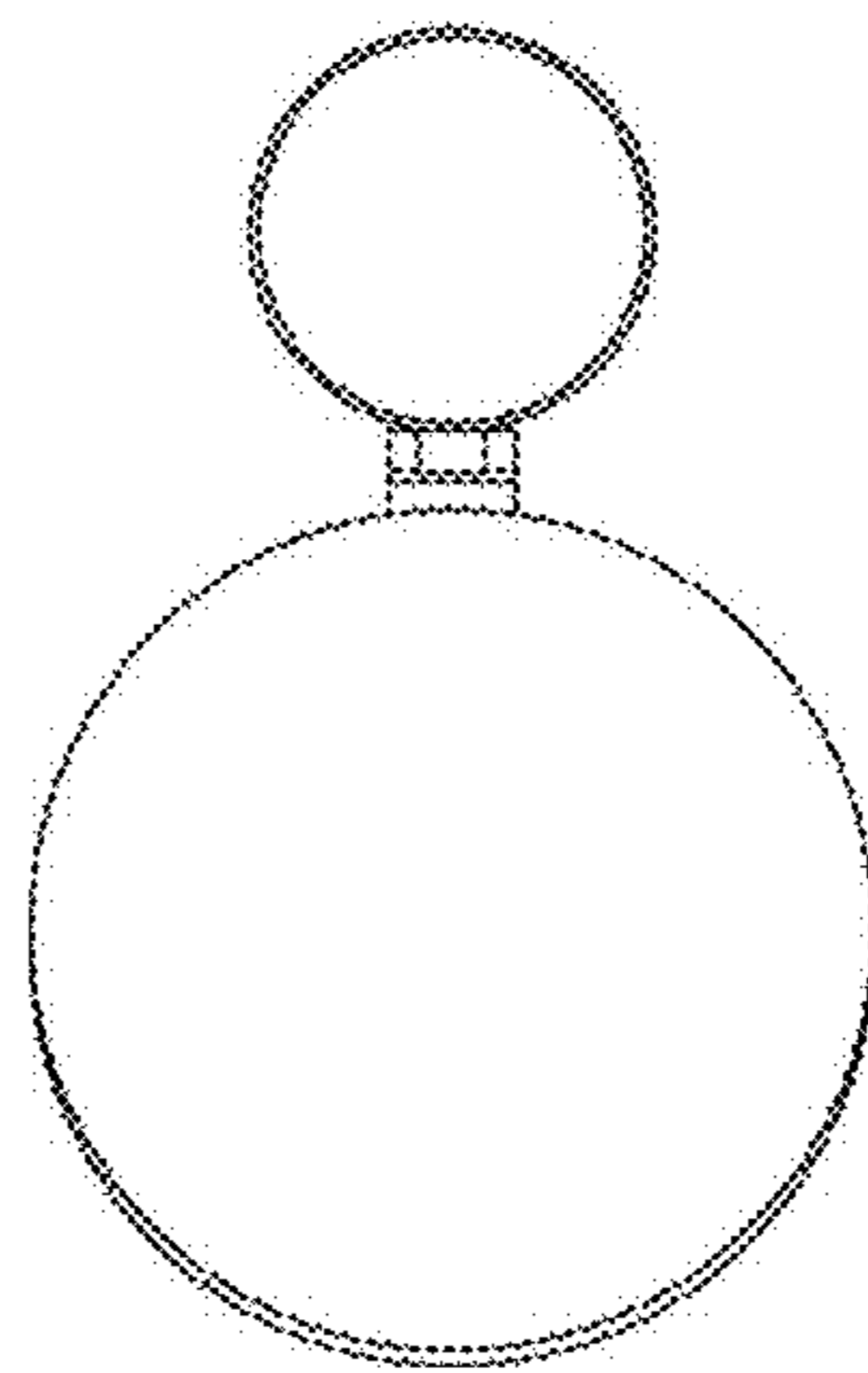


FIG. 7