



US00D757985S

(12) **United States Design Patent**
Sieczkowski

(10) **Patent No.:** **US D757,985 S**

(45) **Date of Patent:** **** May 31, 2016**

(54) **LIGHT FIXTURE**

(71) Applicant: **ABL IP Holding LLC**, Conyers, GA
(US)

(72) Inventor: **Philip Sieczkowski**, Lawrenceville, GA
(US)

(73) Assignee: **ABL IP Holding LLC**, Decatur, GA
(US)

(**) Term: **14 Years**

(21) Appl. No.: **29/515,889**

(22) Filed: **Jan. 28, 2015**

(51) **LOC (10) Cl.** **26-03**

(52) **U.S. Cl.**
USPC **D26/89; D26/85**

(58) **Field of Classification Search**
USPC D26/26, 28, 72, 76, 85, 89
CPC F21S 8/00; F21S 8/03; F21S 8/04;
F21S 8/033; F21S 8/036; F21S 8/037; F21V
1/14; F21V 21/02; F21V 21/03; F21V 5/04;
F21W 2121/004; F21W 2111/08; F21W
2131/1005; F21W 2131/107; F21W 2131/402
See application file for complete search history.

(56) **References Cited**

U.S. PATENT DOCUMENTS

D110,165 S *	6/1938	Arenberg	D26/76
D125,751 S	3/1941	Biller		
D131,532 S	3/1942	Naysmith		
D133,214 S	7/1942	Ohm		
2,490,191 A *	12/1949	Baker	F21S 8/04 362/223
D162,637 S	3/1951	Ernst		
D363,805 S	10/1995	Cole, Jr.		
D381,760 S	7/1997	Costa		

D399,587 S *	10/1998	Compton	D26/76
D421,505 S *	3/2000	Hastings	D26/76
D430,326 S	8/2000	Littman		
D431,876 S *	10/2000	Lewis	D26/76
D433,177 S	10/2000	Lewis		
D437,959 S *	2/2001	Lewis	D26/76
D444,587 S *	7/2001	Hastings	D26/76
D445,214 S	7/2001	Lewis		
D456,929 S	5/2002	Russello et al.		
D473,328 S	4/2003	Chelf		

(Continued)

Primary Examiner — Clare E Heflin

(74) *Attorney, Agent, or Firm* — Kilpatrick Townsend & Stockton, LLP

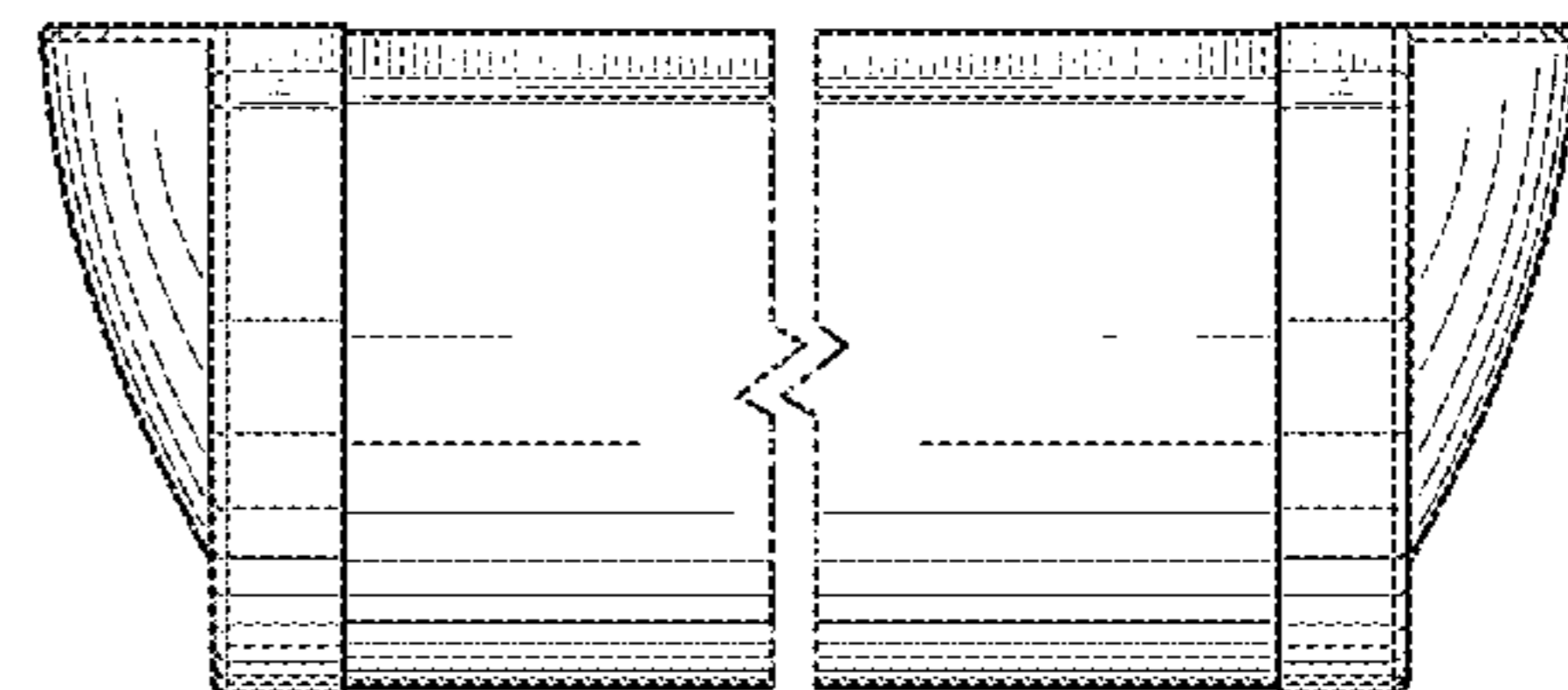
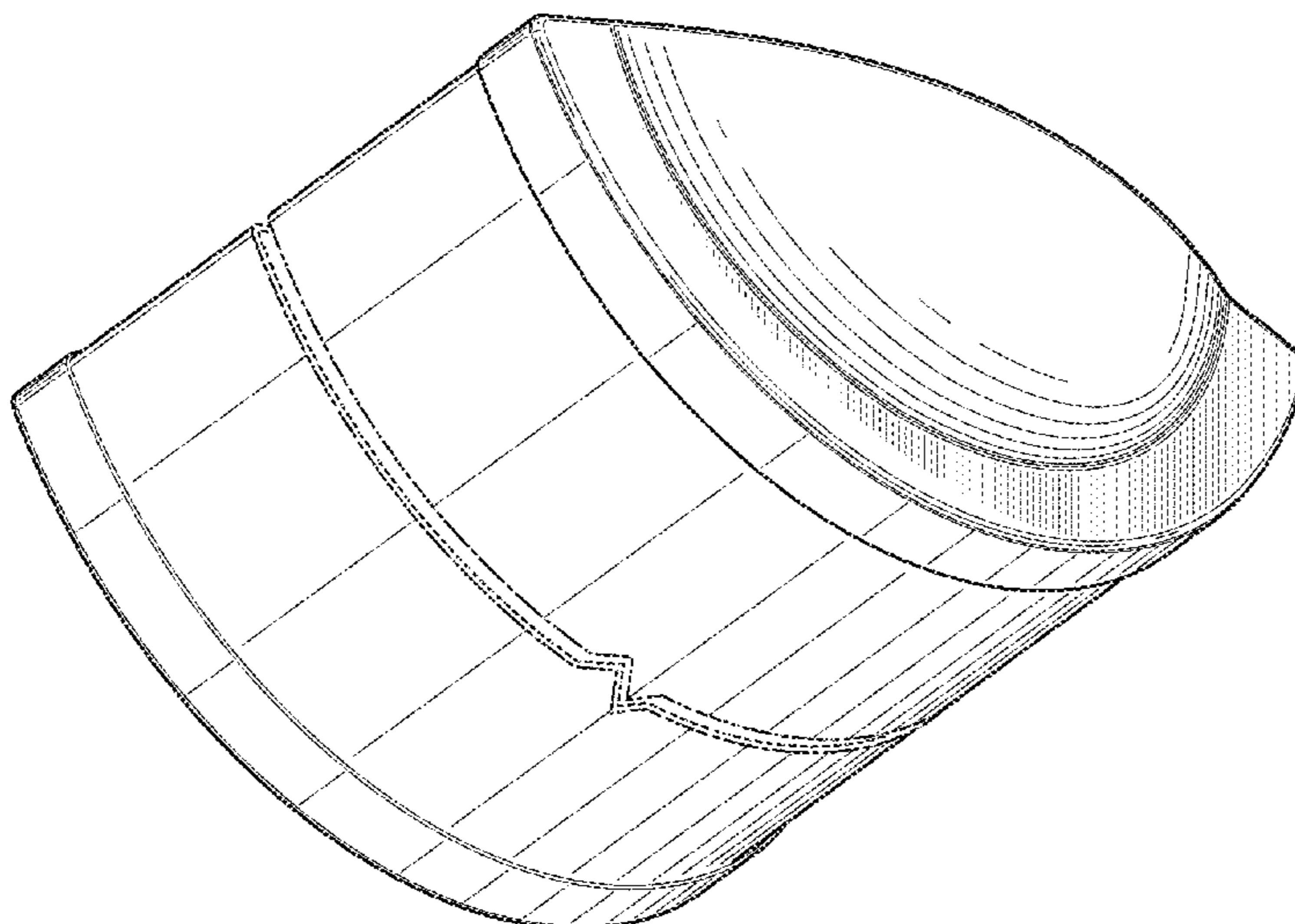
(57) **CLAIM**

The ornamental design for a light fixture, as shown and described.

DESCRIPTION

FIG. 1 is a bottom perspective view of the light fixture. FIG. 2 is a top perspective view of the light fixture of FIG. 1. FIG. 3 is a front end view of the light fixture of FIG. 1. FIG. 4 is rear end view of the light fixture of FIG. 1. FIG. 5 is a right elevation view of the light fixture of FIG. 1. FIG. 6 is a left elevation view of the light fixture of FIG. 1. FIG. 7 is a bottom plan view of the light fixture of FIG. 1; and, FIG. 8 is a top plan view of the light fixture of FIG. 1. Portions or features of the light fixture not shown in the drawings form no part of the claimed design. The evenly dotted broken lines in the drawings define the boundaries of the unclaimed portions of the claimed design and form no part of the claimed design. The dash-dot-dash-dot broken lines in the drawings represent a symbolic break along the fixture length. The appearance of any portion of the light fixture between this break forms no part of the claimed design.

1 Claim, 4 Drawing Sheets



(56)

References Cited

U.S. PATENT DOCUMENTS

D487,527 S *	3/2004	Sieczkowski	D26/76	D631,857 S	2/2011	Hsieh	
D525,386 S *	7/2006	McCarthy, III	D26/72	D636,514 S	4/2011	Ruud et al.	
D526,082 S *	8/2006	McCarthy, III	D26/72	D647,241 S *	10/2011	Takahashi	D26/72
D567,425 S *	4/2008	Yates	D26/76	D654,208 S	2/2012	Marquardt et al.	
D597,701 S	8/2009	Tran et al.		D662,251 S *	6/2012	Wauters	D26/85
D606,232 S *	12/2009	Sabernig	D26/85	D701,989 S	4/2014	Rodgers et al.	
D613,901 S	4/2010	Silver		D735,393 S *	7/2015	Hennessey	D26/89
				2014/0104843 A1 *	4/2014	McCane	F21V 3/0445 362/282

* cited by examiner

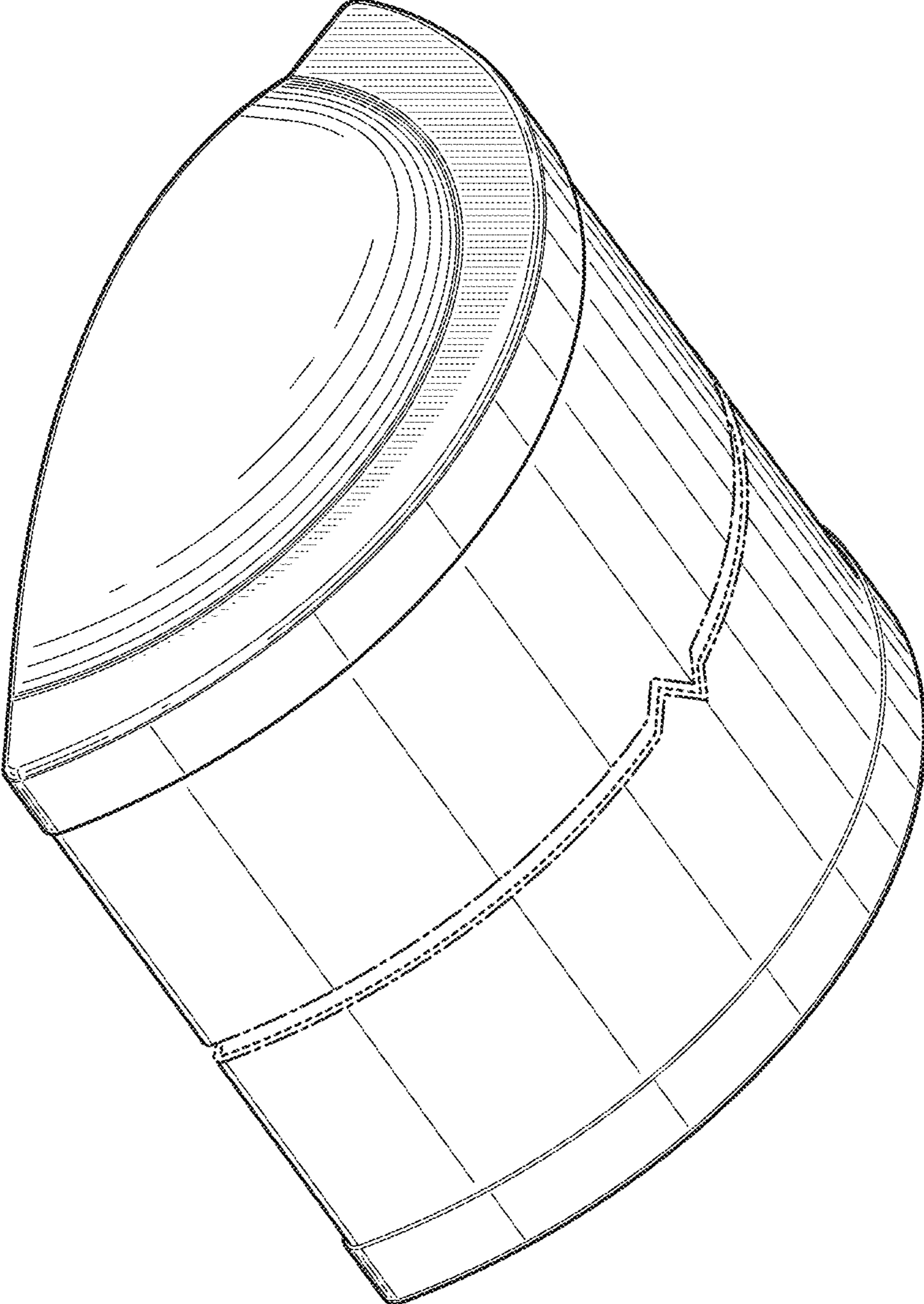


FIG. 1

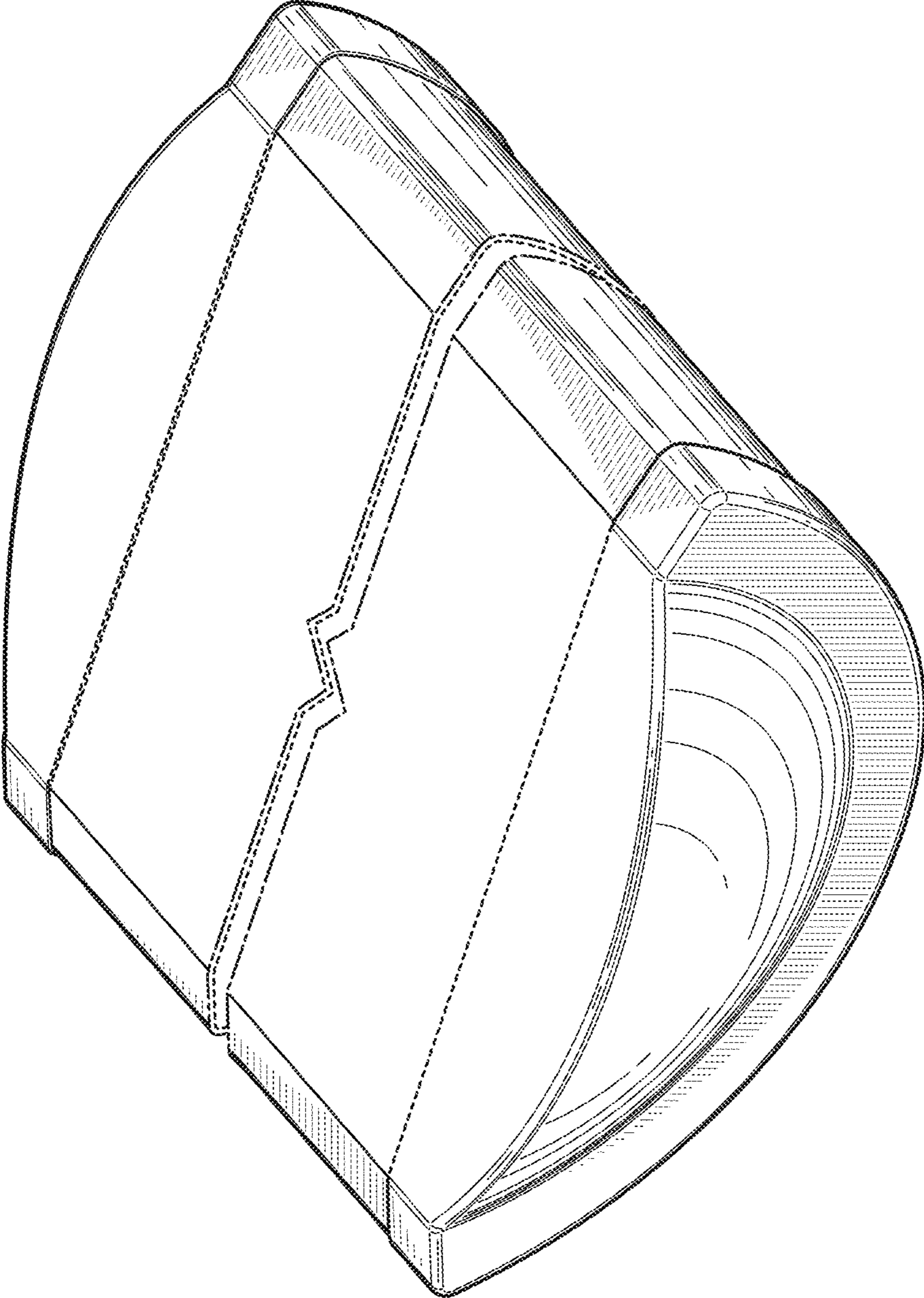


FIG. 2

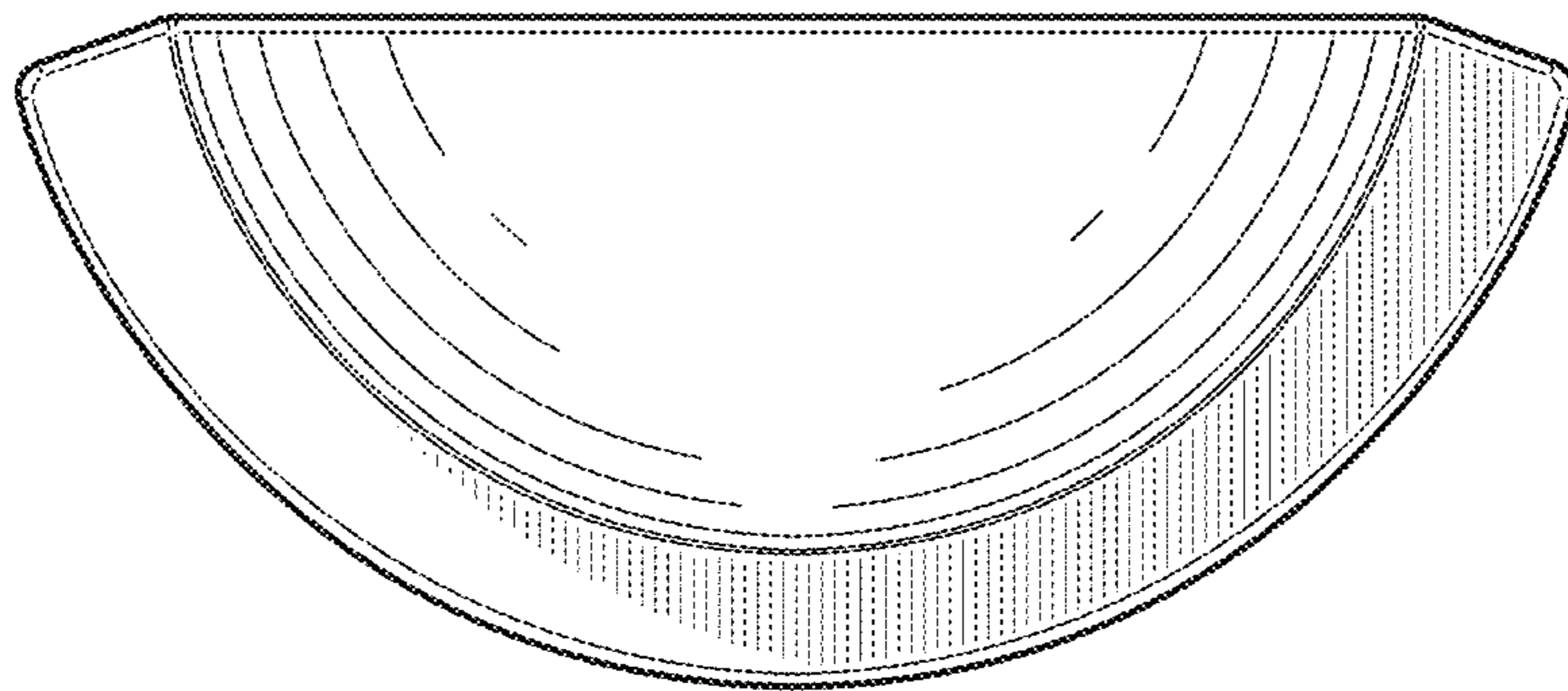


FIG. 3

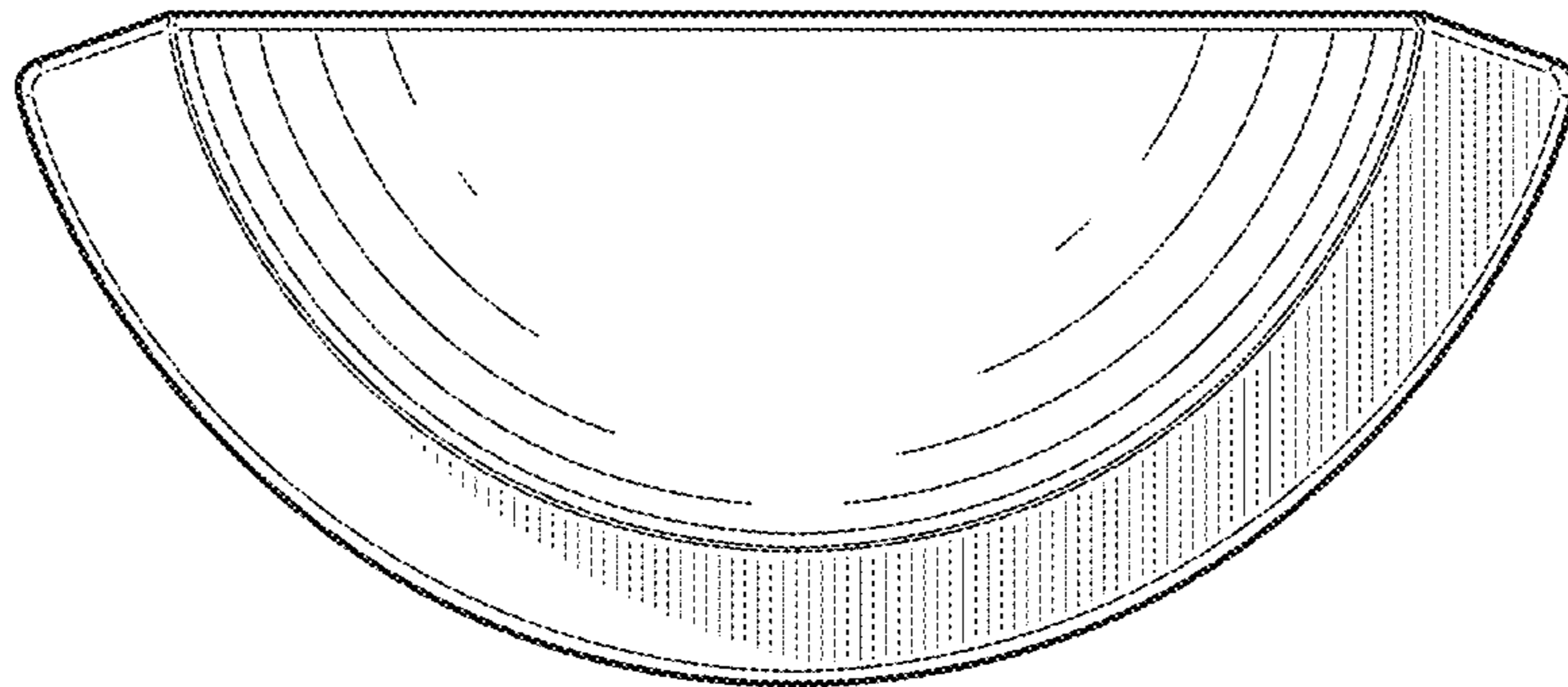


FIG. 4

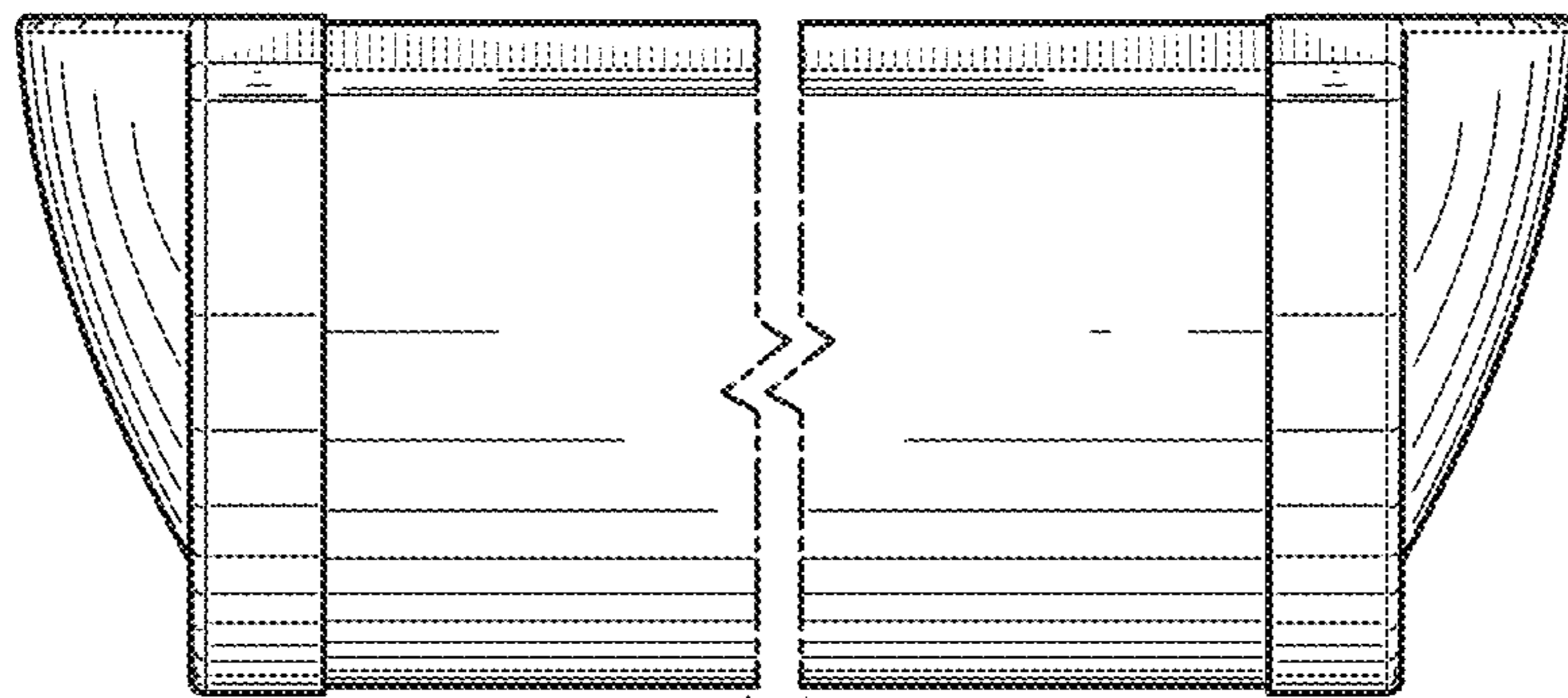


FIG. 5

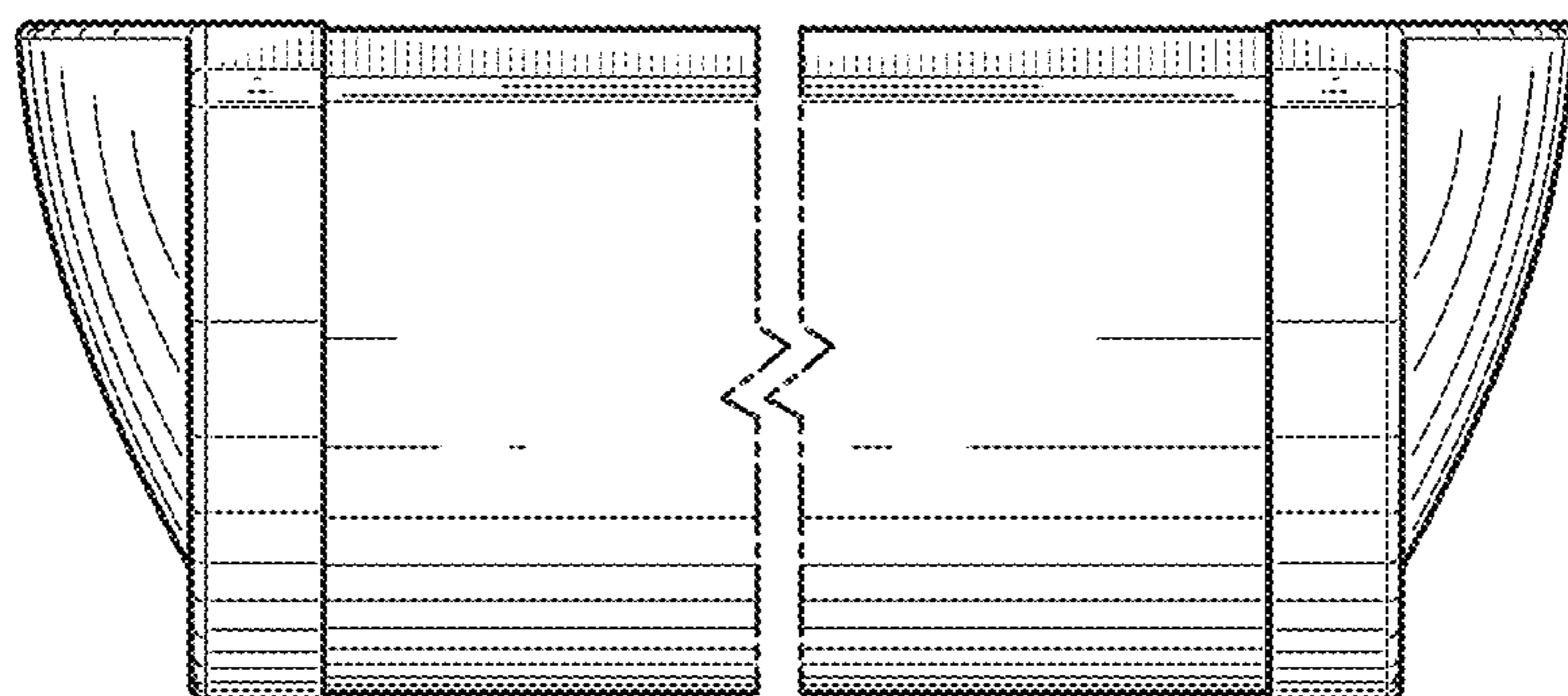


FIG. 6

FIG. 7

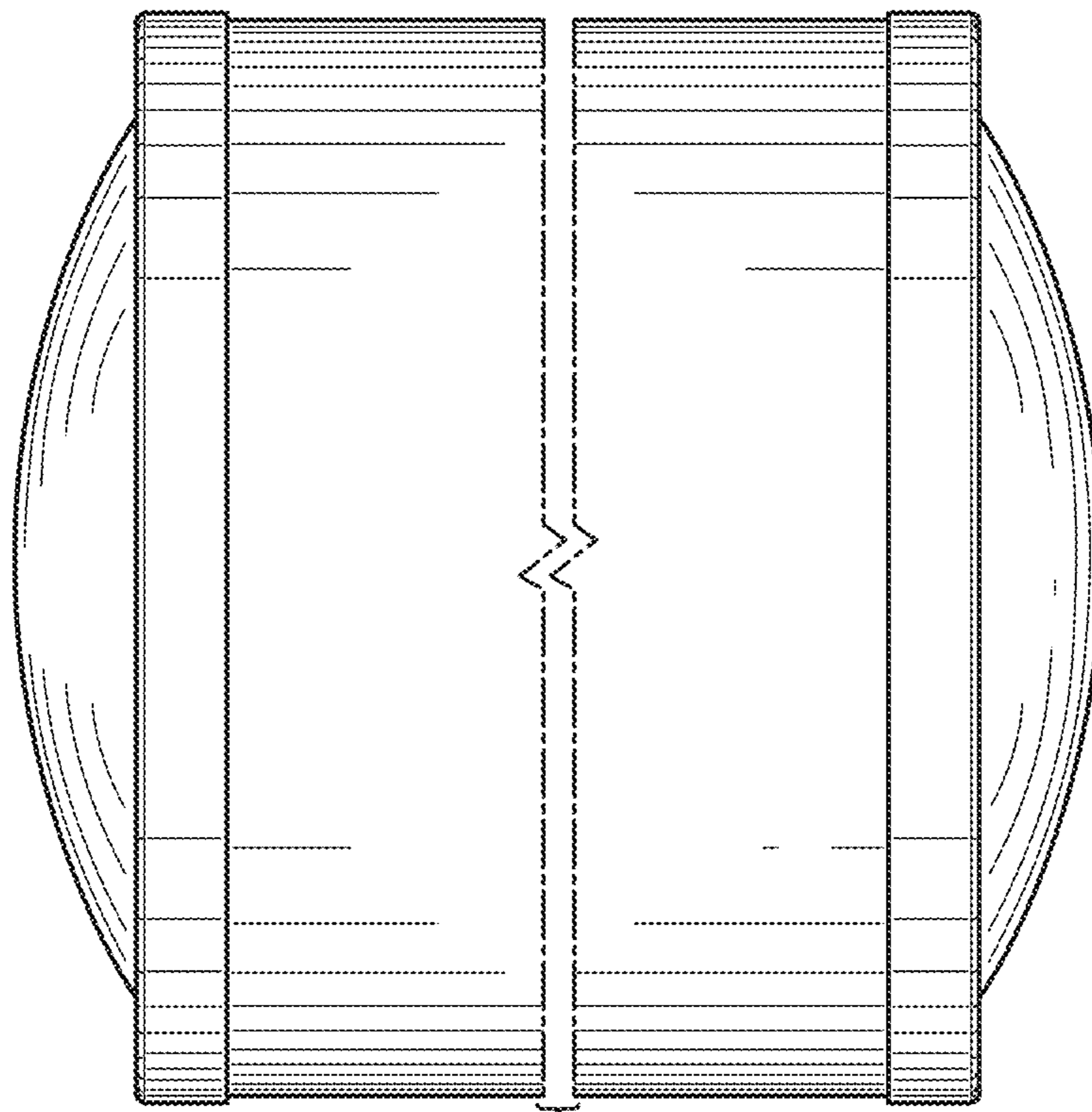


FIG. 8

