



US00D757983S

(12) **United States Design Patent**
Breedlove, Sr.

(10) **Patent No.:** **US D757,983 S**
(45) **Date of Patent:** **** May 31, 2016**

(54) **DECK LIGHT**

(71) Applicant: **Volt, LLC**, Tampa, FL (US)

(72) Inventor: **Michael Grant Breedlove, Sr.**, Odessa, FL (US)

(73) Assignee: **Volt, LLC**, Tampa, FL (US)

(**) Term: **14 Years**

(21) Appl. No.: **29/518,228**

(22) Filed: **Feb. 20, 2015**

(51) **LOC (10) CI.** **26-03**

(52) **U.S. CI.**
USPC **D26/85**

(58) **Field of Classification Search**
USPC D26/26, 28, 72, 76, 85, 89
CPC F21S 8/00; F21S 8/03; F21S 8/04;
F21S 8/033; F21S 8/036; F21S 8/037; F21V
1/14; F21V 21/02; F21V 21/03; F21V 5/04;
F21W 2121/004; F21W 2111/08; F21W
2131/1005; F21W 2131/107; F21W 2131/402
See application file for complete search history.

(56) **References Cited**

U.S. PATENT DOCUMENTS

D213,391	S *	2/1969	Bruno	D26/76
5,642,934	A	7/1997	Haddad		
6,585,398	B1	7/2003	Haddad		
7,021,786	B1	4/2006	Sandor, Sr.		
7,036,960	B1 *	5/2006	Gretz	F21V 11/02 362/153
7,661,837	B1 *	2/2010	Pever	F21S 8/081 256/1
7,862,196	B1 *	1/2011	Pever	F21S 8/033 362/145
8,297,777	B1 *	10/2012	Mccall	F21V 33/006 362/145

D688,406	S *	8/2013	Goldy	D26/85
D712,577	S *	9/2014	Merovitz	D26/28
D715,477	S *	10/2014	Yu	D26/85
2005/0168977	A1 *	8/2005	Murphy	F21S 8/033 362/191

OTHER PUBLICATIONS

“Installation Instructions: Volt Low Voltage Landscape Lighting Deck Light Solid Brass 600 Series.” Copyright 2014, Volt Lighting. Copending U.S. Appl. No. 14/627,840, filed Feb. 20, 2015. Copending U.S. Appl. No. 29/518,226, filed Feb. 20, 2015. Copending U.S. Appl. No. 29/518,236, filed Feb. 20, 2015.

* cited by examiner

Primary Examiner — Clare E Heflin

(74) *Attorney, Agent, or Firm* — Nelson Mullins Riley & Scarborough, LLP

(57) **CLAIM**

The ornamental design for a deck light, as shown and described.

DESCRIPTION

FIG. 1 is a perspective view of a deck light embodying the design of the present invention.

FIG. 2 is a front side elevational view of the deck light illustrated in FIG. 1.

FIG. 3 is a back side elevational view of the deck light illustrated in FIG. 1.

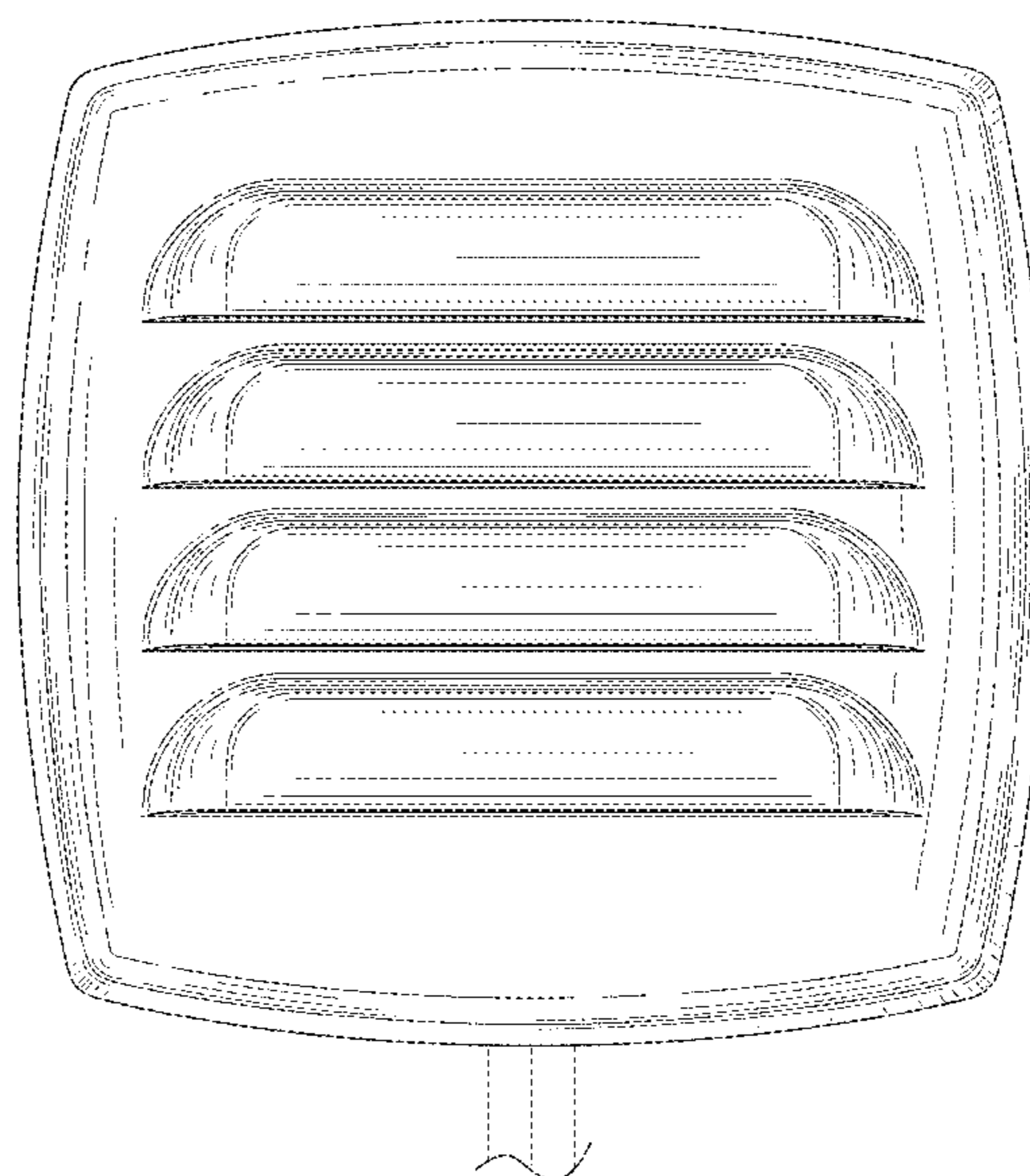
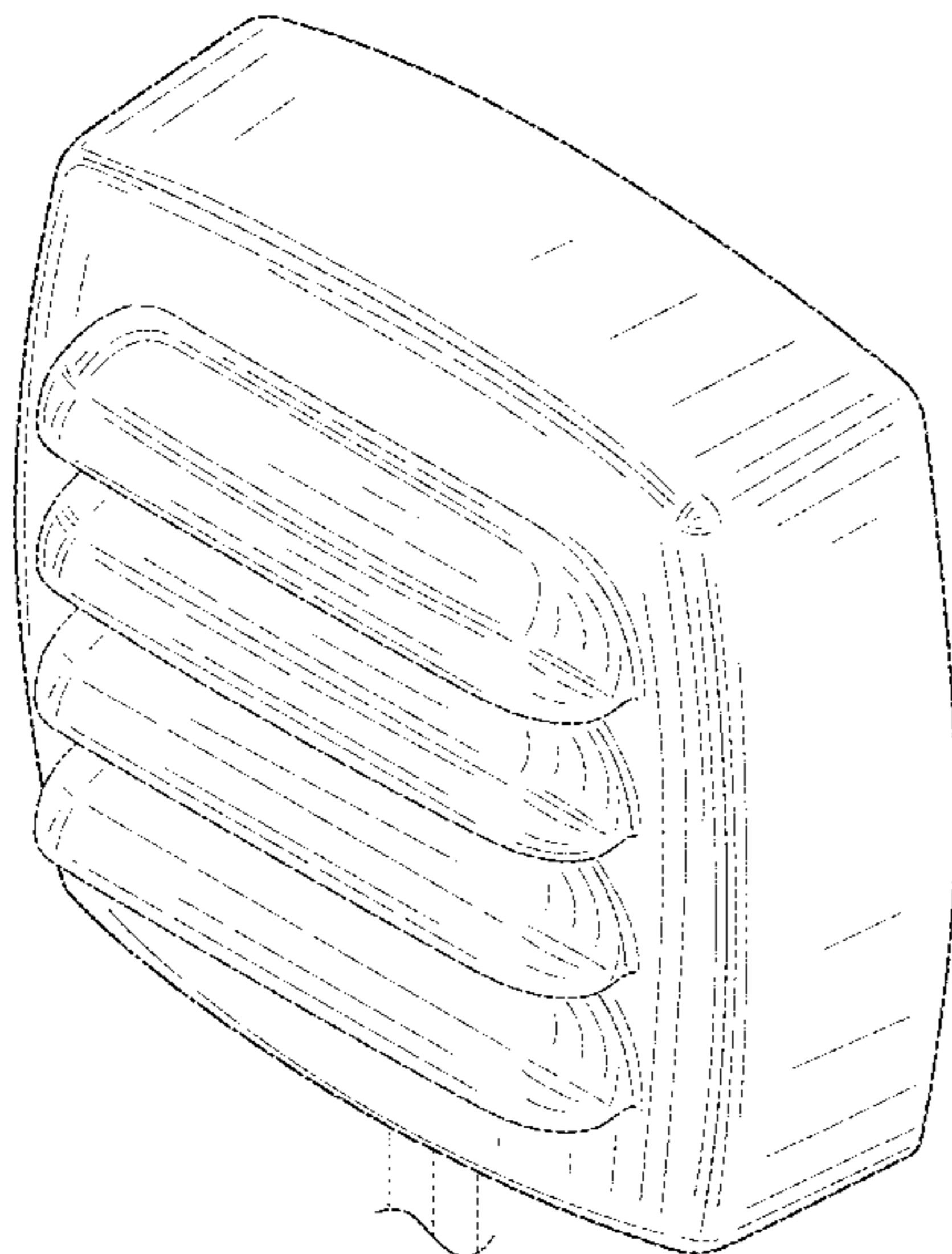
FIG. 4 is a right side elevational view of the deck light illustrated in FIG. 1.

FIG. 5 is a left side elevational view of the deck light illustrated in FIG. 1.

FIG. 6 is a top view of the deck light illustrated in FIG. 1; and, FIG. 7 is a bottom view of the deck light illustrated in FIG. 1.

The broken lines shown on the drawings depict portions of the deck light that form no part of the claimed design.

1 Claim, 6 Drawing Sheets



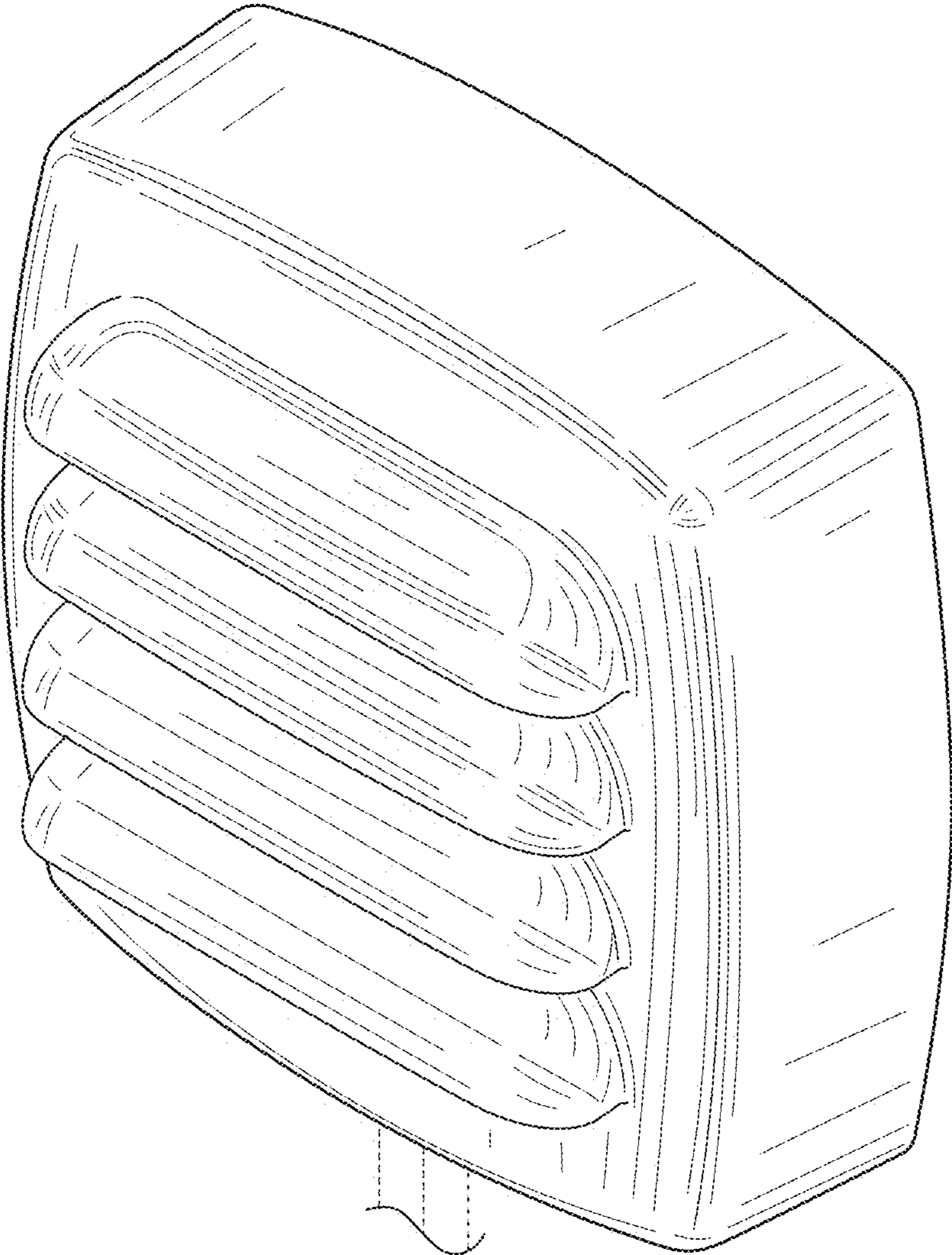


FIG. 1

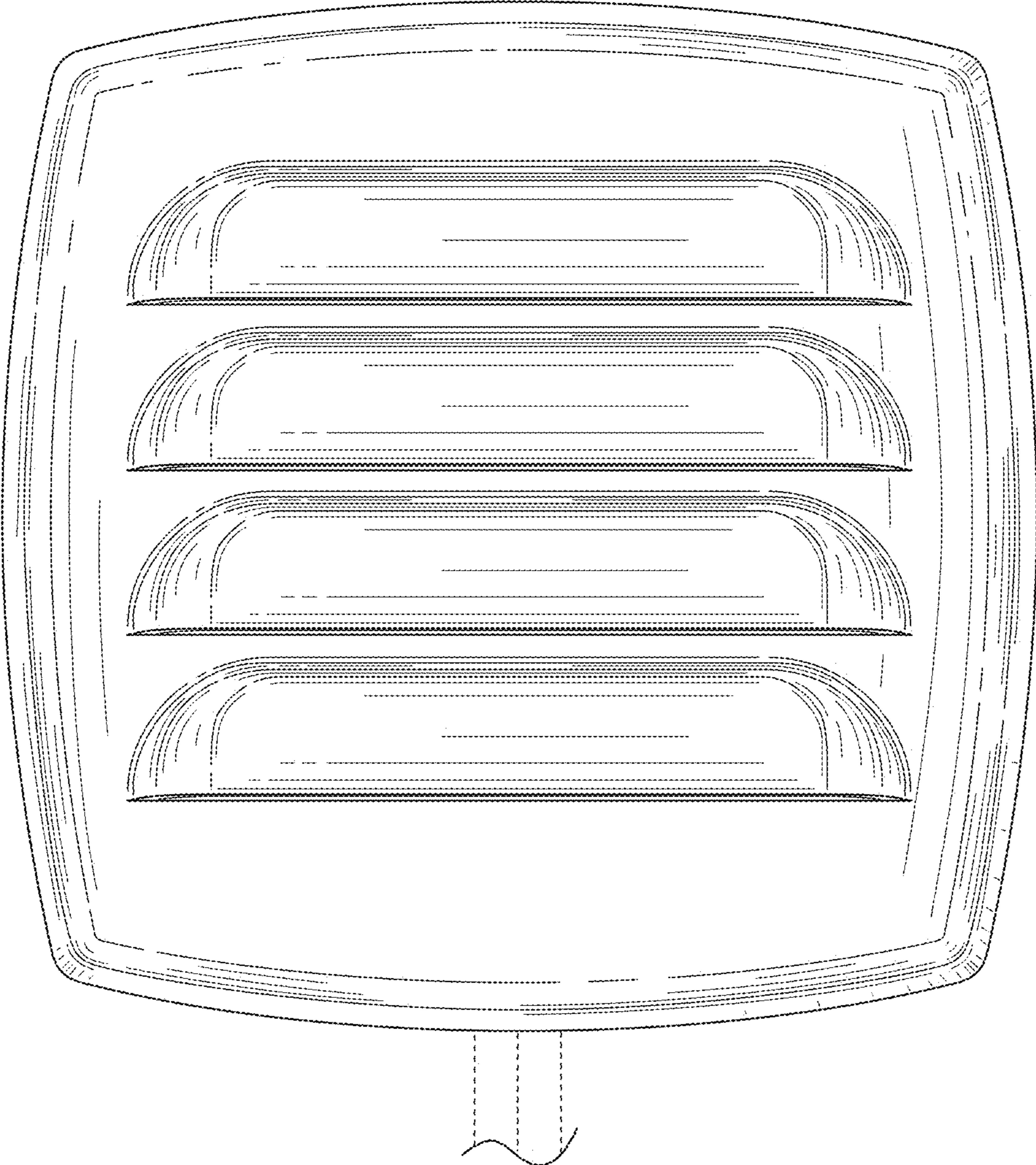


FIG. 2

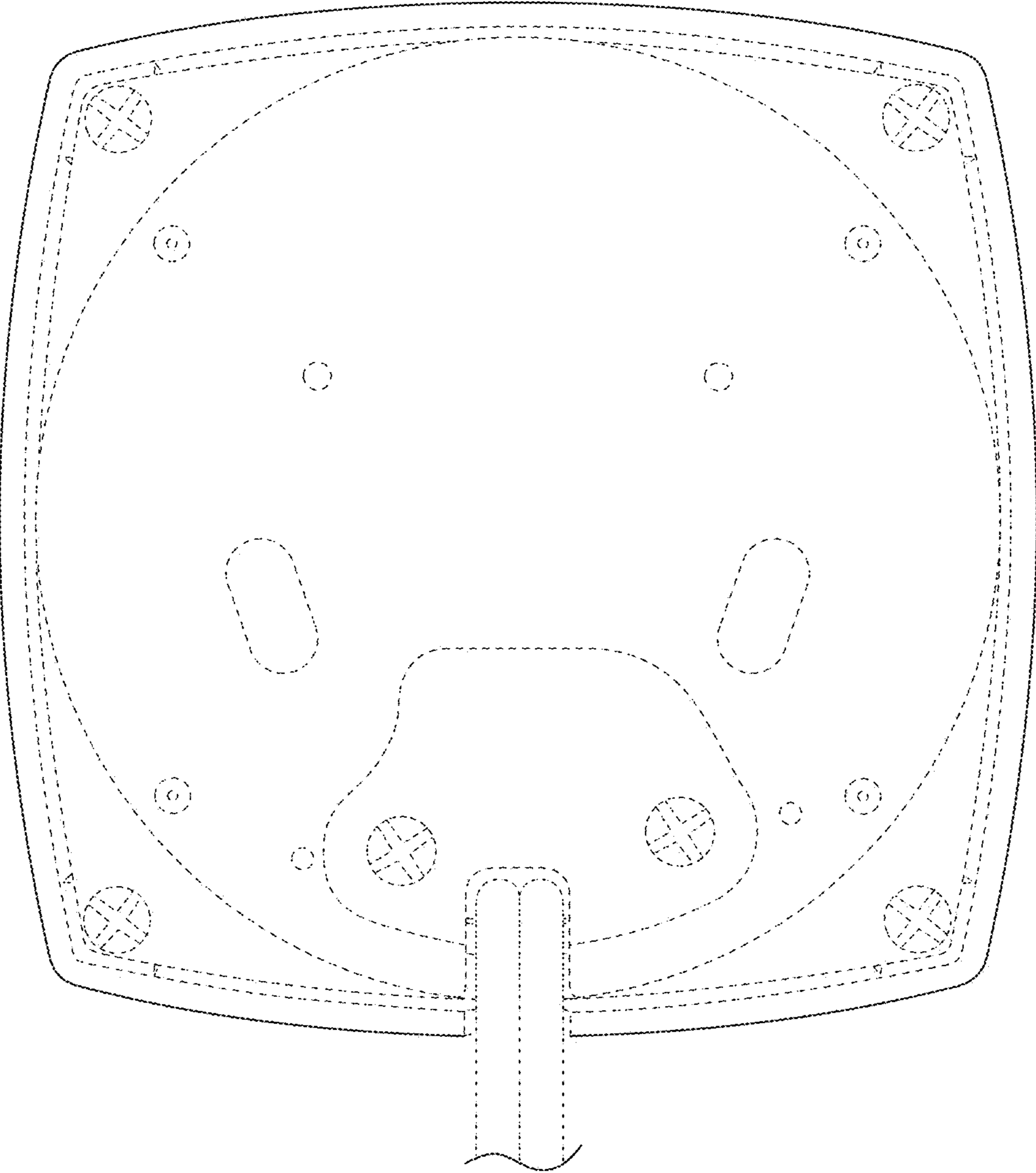


FIG. 3

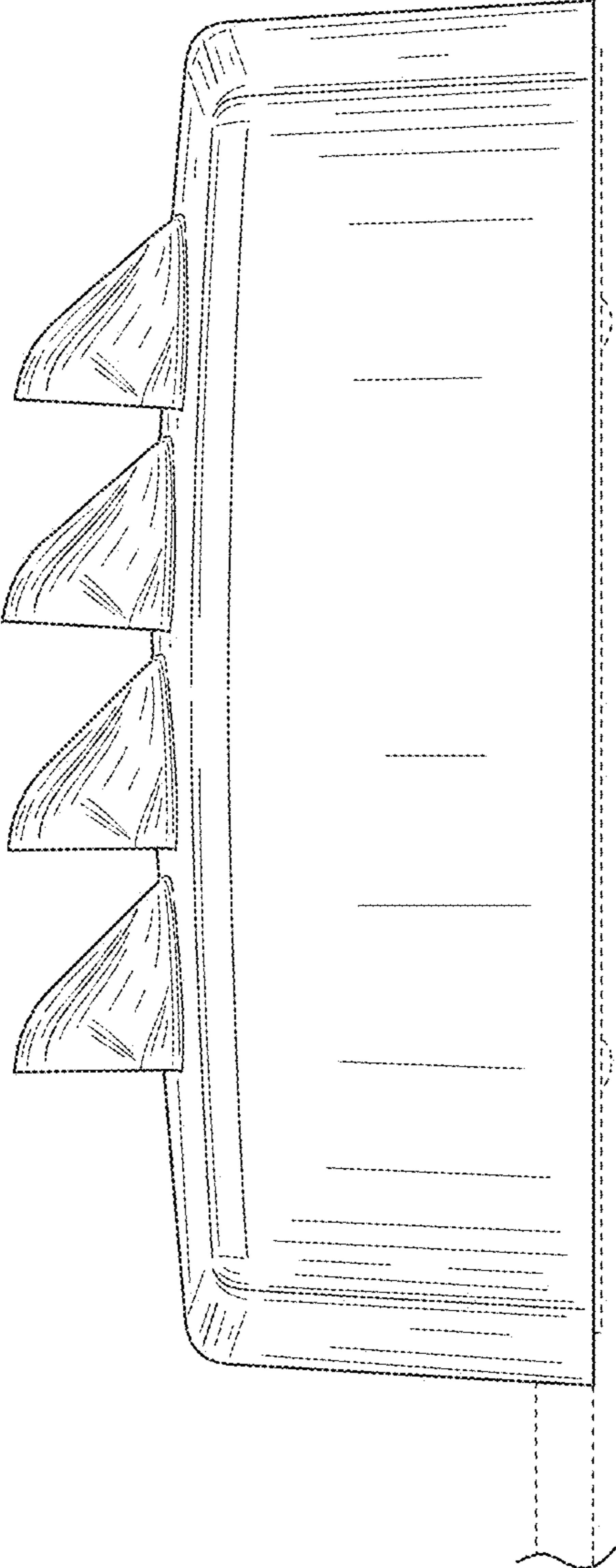


FIG. 4

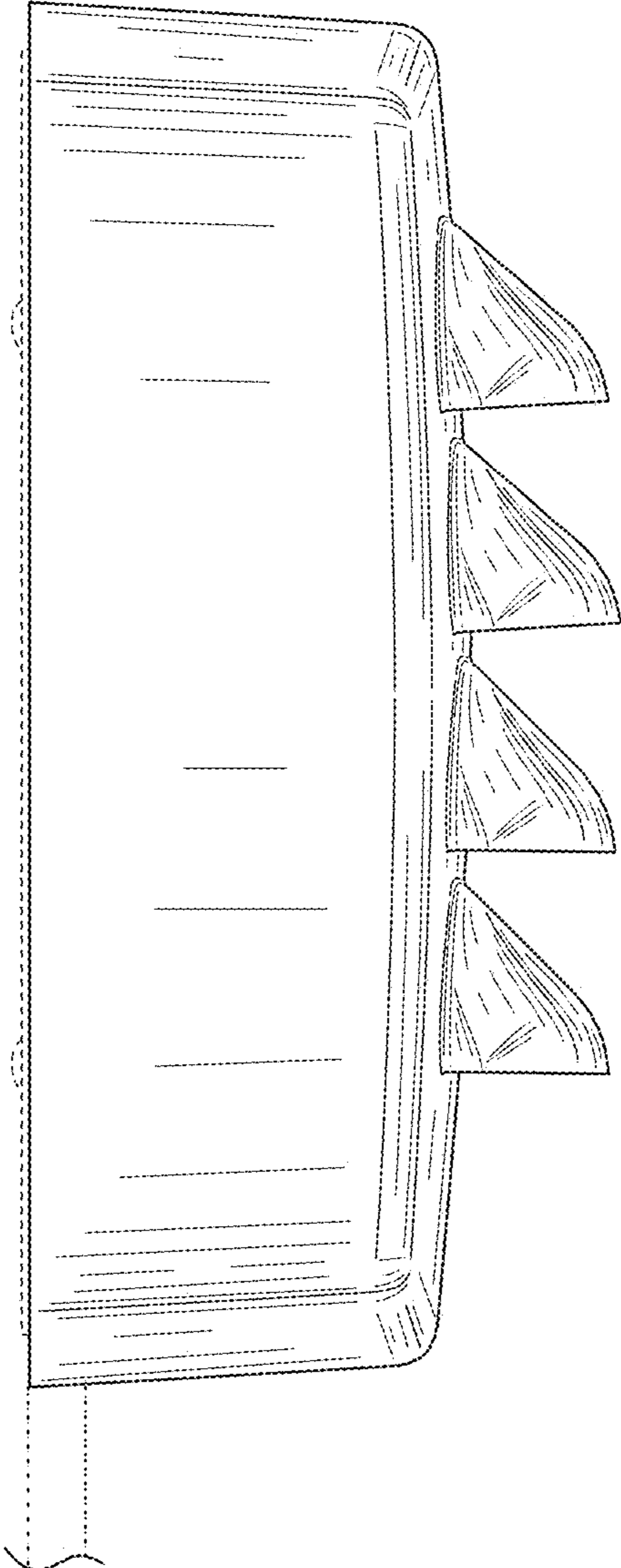


FIG. 5

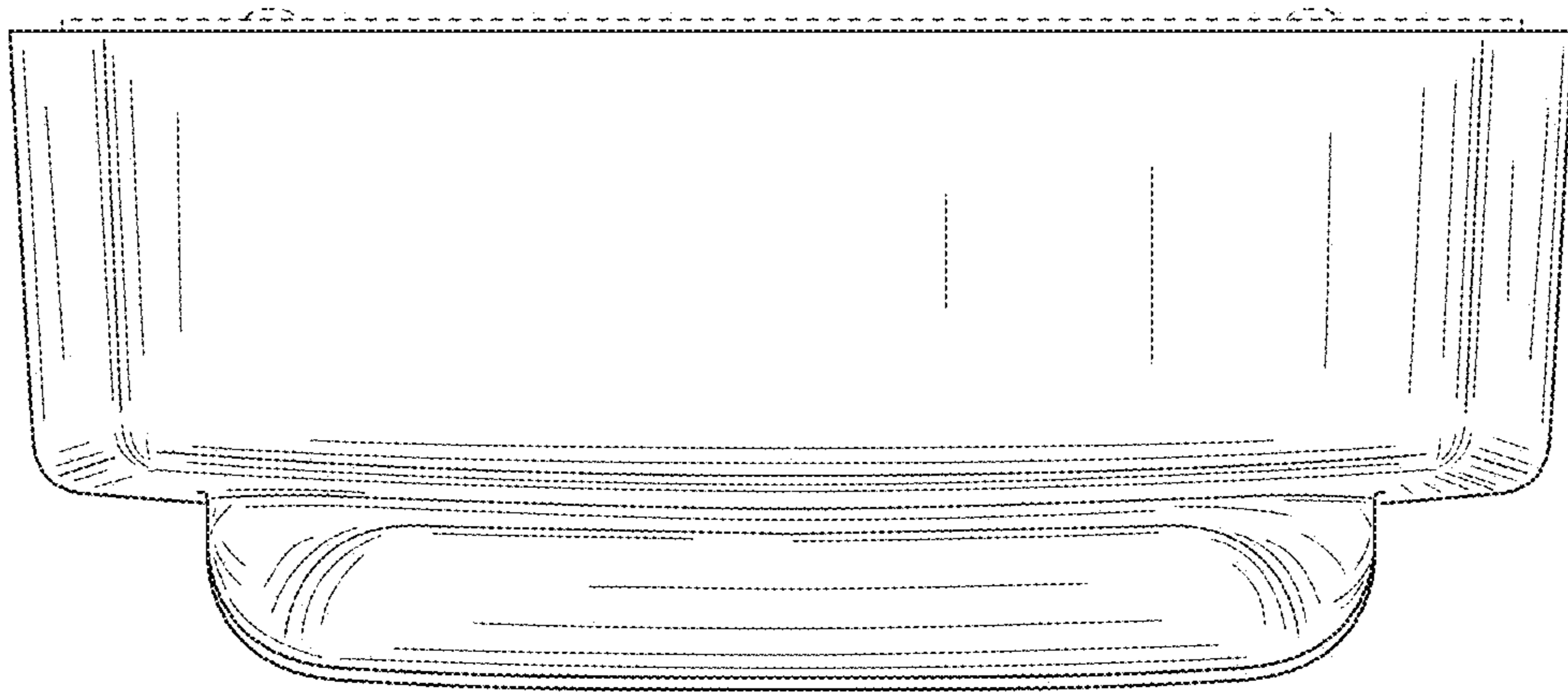


FIG. 6

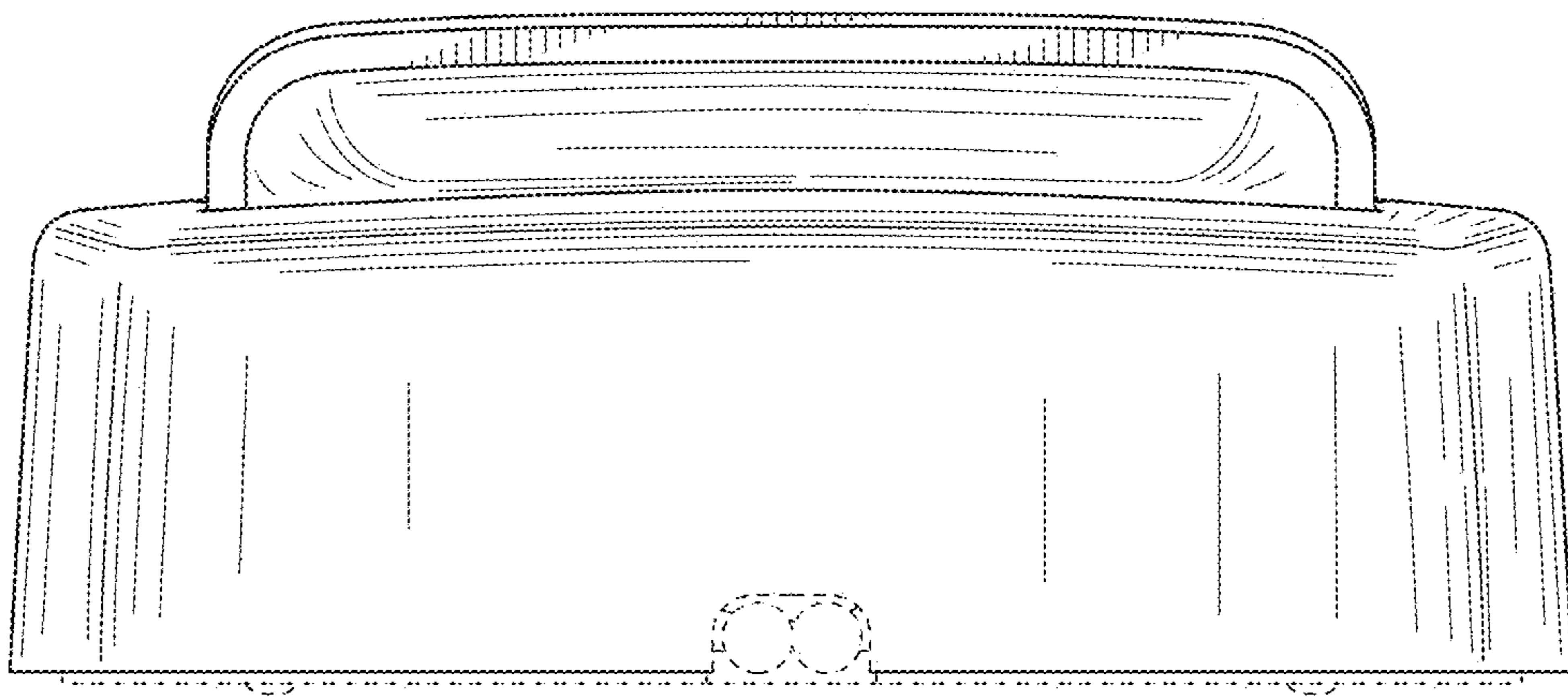


FIG. 7