



US00D757982S

(12) **United States Design Patent**
Breedlove, Sr.

(10) **Patent No.:** **US D757,982 S**
(45) **Date of Patent:** **** May 31, 2016**

- (54) **DECK LIGHT**
- (71) Applicant: **Volt, LLC**, Tampa, FL (US)
- (72) Inventor: **Michael Grant Breedlove, Sr.**, Odessa, FL (US)
- (73) Assignee: **Volt, LLC**, Tampa, FL (US)
- (**) Term: **14 Years**
- (21) Appl. No.: **29/518,226**
- (22) Filed: **Feb. 20, 2015**
- (51) **LOC (10) Cl.** **26-03**
- (52) **U.S. Cl.**
USPC **D26/85**; D26/67
- (58) **Field of Classification Search**
USPC D26/26, 28, 67, 72, 76, 85, 89
CPC F21S 8/00; F21S 8/03; F21S 8/04;
F21S 8/033; F21S 8/036; F21S 8/037; F21V
1/14; F21V 21/02; F21V 21/03; F21V 5/04;
F21W 2121/004; F21W 2111/08; F21W
2131/1005; F21W 2131/107; F21W 2131/402
See application file for complete search history.

(56) **References Cited**

U.S. PATENT DOCUMENTS

2,592,472	A *	4/1952	Schlaf	F21V 1/14 296/135
D214,938	S *	8/1969	Pettengill	D26/85
D310,268	S *	8/1990	Shalvi	D26/67
5,642,934	A	7/1997	Haddad		
D390,999	S *	2/1998	Gaskins	D26/67
6,585,398	B1	7/2003	Haddad		
D487,529	S *	3/2004	Kowitz	D26/85
D503,822	S *	4/2005	Monroe	D26/85
6,905,222	B1 *	6/2005	Russello	F21S 8/033 362/147
7,021,786	B1	4/2006	Sandor, Sr.		
D542,951	S *	5/2007	Yeh	D26/28
D589,200	S *	3/2009	Sabernig	D26/85

7,661,837	B1 *	2/2010	Pever	F21S 8/081 256/1
7,862,196	B1 *	1/2011	Pever	F21S 8/033 362/145
8,297,777	B1 *	10/2012	McCall	F21V 33/006 362/145
D728,142	S *	4/2015	Dungan	D26/85
9,062,839	B1 *	6/2015	Elder	F21S 8/03

(Continued)

OTHER PUBLICATIONS

“Installation Instructions: VOLT Low Voltage Landscape Lighting Deck Light Solid Brass 600 Series.” Copyright 2014, VOLT Lighting, all enclosed pages cited.
Copending U.S. Appl. No. 14/627,840, filed Feb. 20, 2015, all enclosed pages cited.

(Continued)

Primary Examiner — Clare E Heflin

(74) *Attorney, Agent, or Firm* — Nelson Mullins Riley & Scarborough, LLP

(57) **CLAIM**

The ornamental design for a deck light, as shown and described.

DESCRIPTION

FIG. 1 is a perspective view of a deck light embodying the design of the present invention.

FIG. 2 is a front side elevational view of the deck light illustrated in FIG. 1.

FIG. 3 is a back side elevational view of the deck light illustrated in FIG. 1.

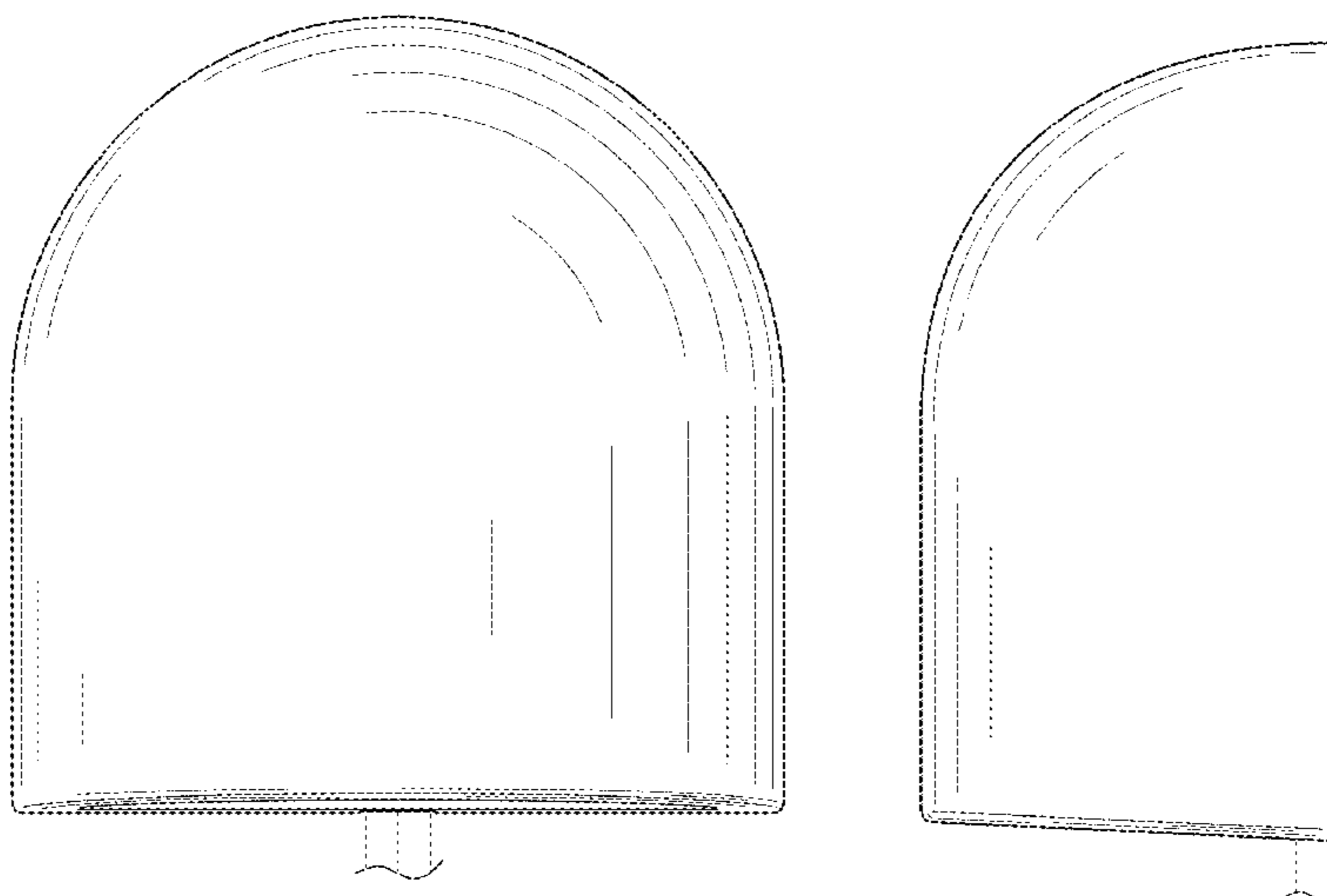
FIG. 4 is a right side elevational view of the deck light illustrated in FIG. 1.

FIG. 5 is a left side elevational view of the deck light illustrated in FIG. 1.

FIG. 6 is a top view of the deck light illustrated in FIG. 1; and, FIG. 7 is a bottom view of the deck light illustrated in FIG. 1.

The broken lines shown on the drawings depict portions of the deck light that form no part of the claimed design.

1 Claim, 6 Drawing Sheets



(56)

References Cited

U.S. PATENT DOCUMENTS

2005/0168977 A1* 8/2005 Murphy F21S 8/033
362/191
2007/0258234 A1* 11/2007 Shaw-Jones F21S 8/033
362/157

OTHER PUBLICATIONS

Copending U.S. Appl. No. 29/518,228, filed Feb. 20, 2015, all enclosed pages cited.

Copending U.S. Appl. No. 29/518,236, filed Feb. 20, 2015, all enclosed pages cited.

* cited by examiner

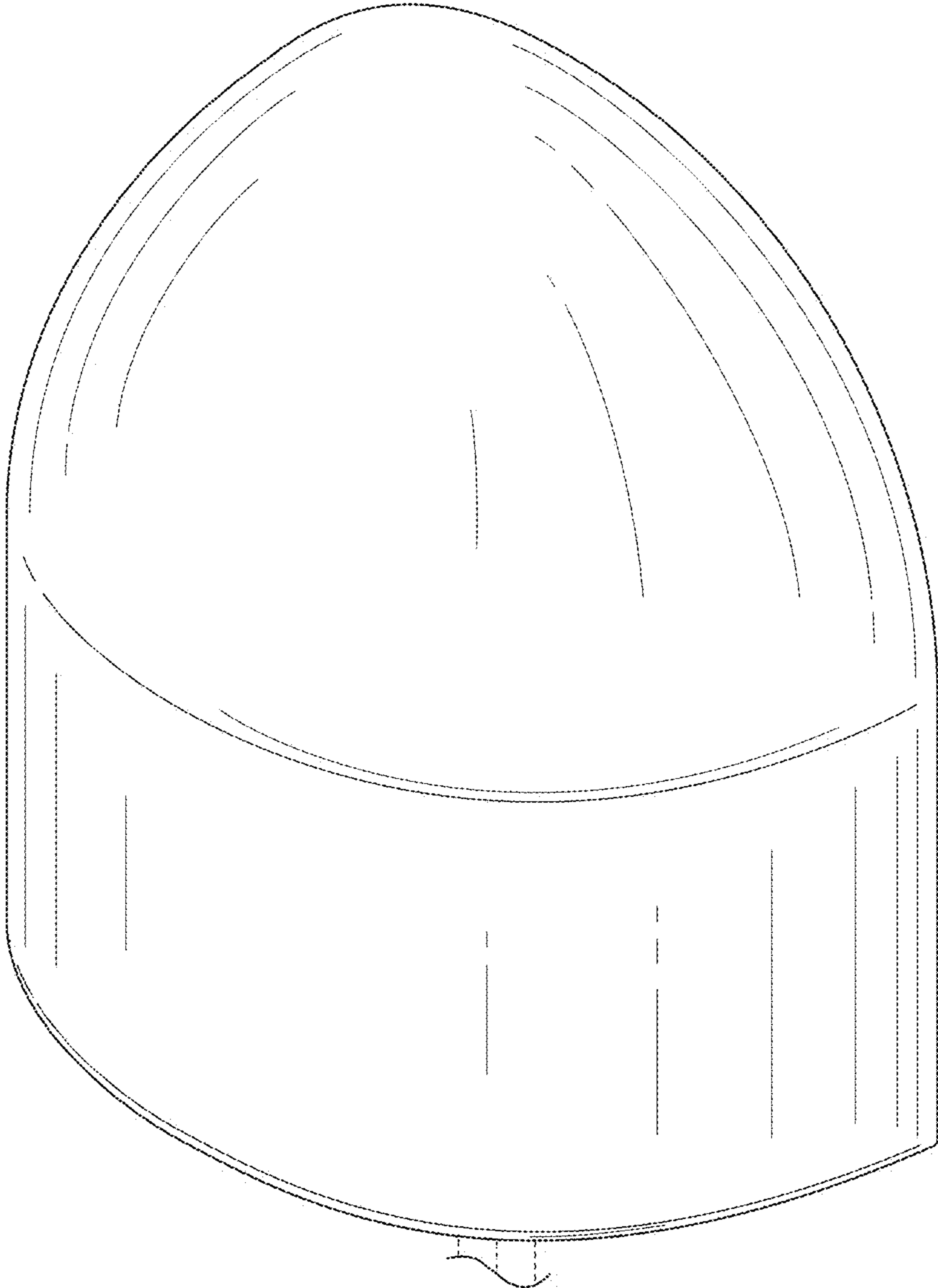


FIG. 1

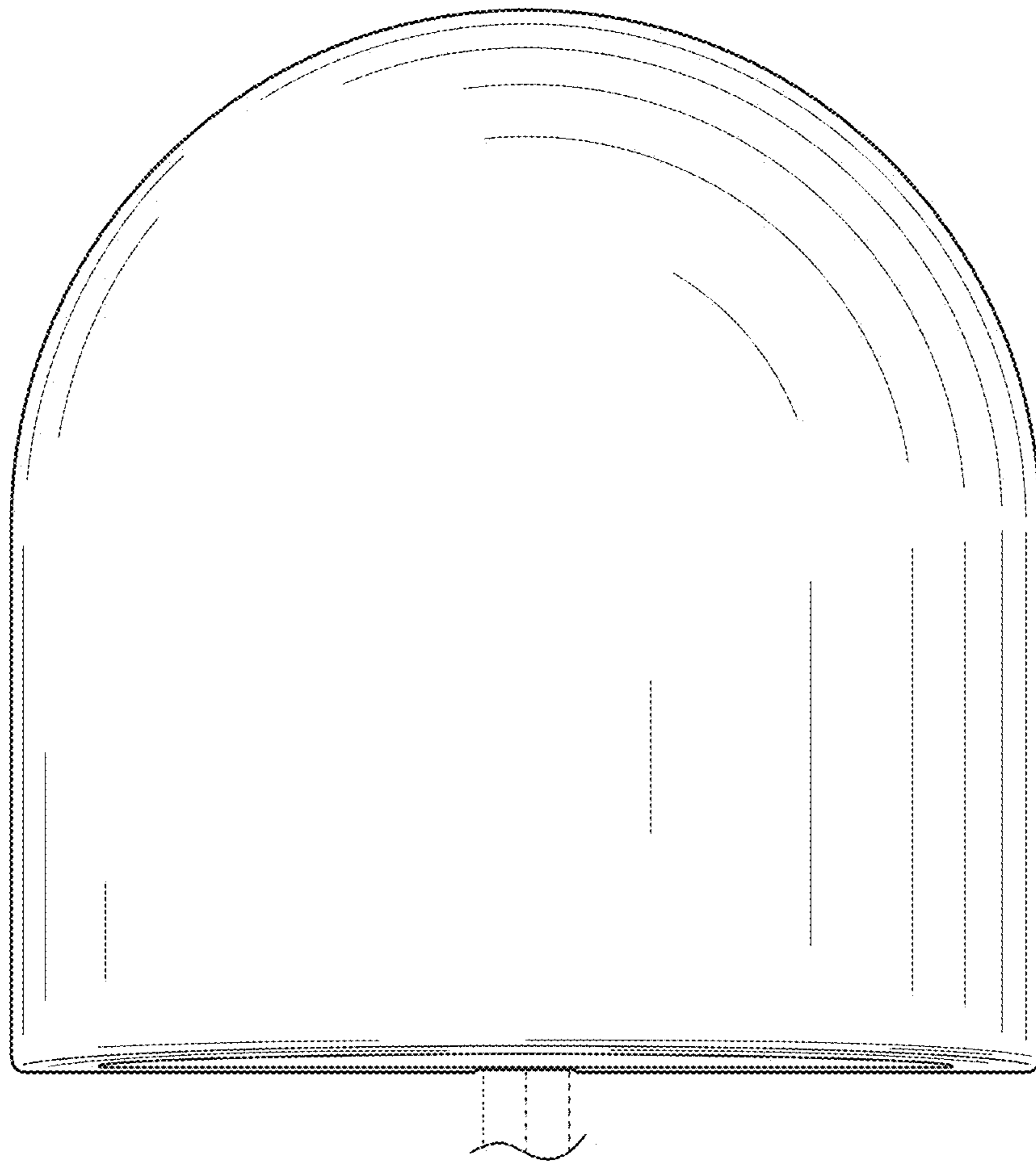


FIG. 2

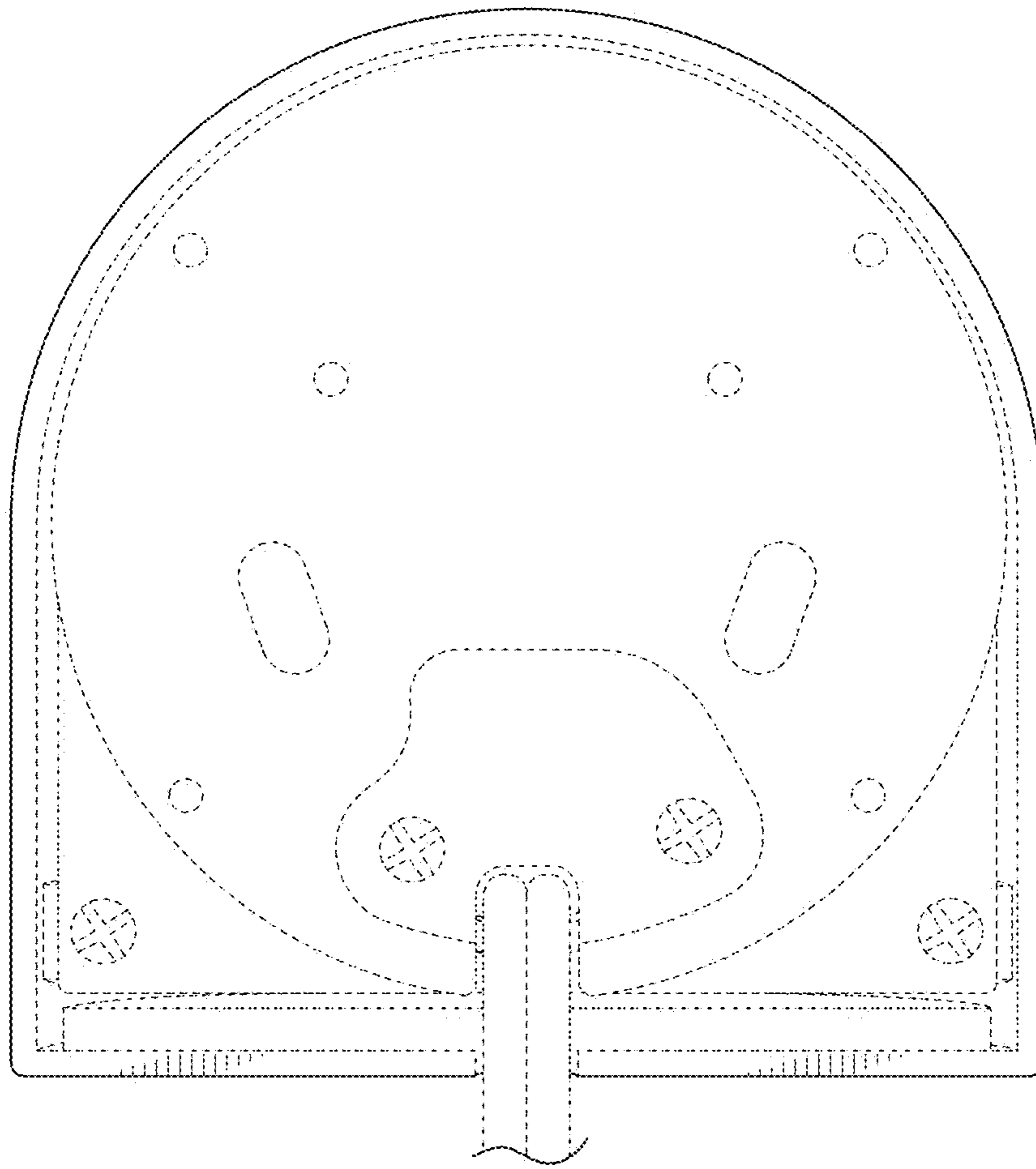


FIG. 3

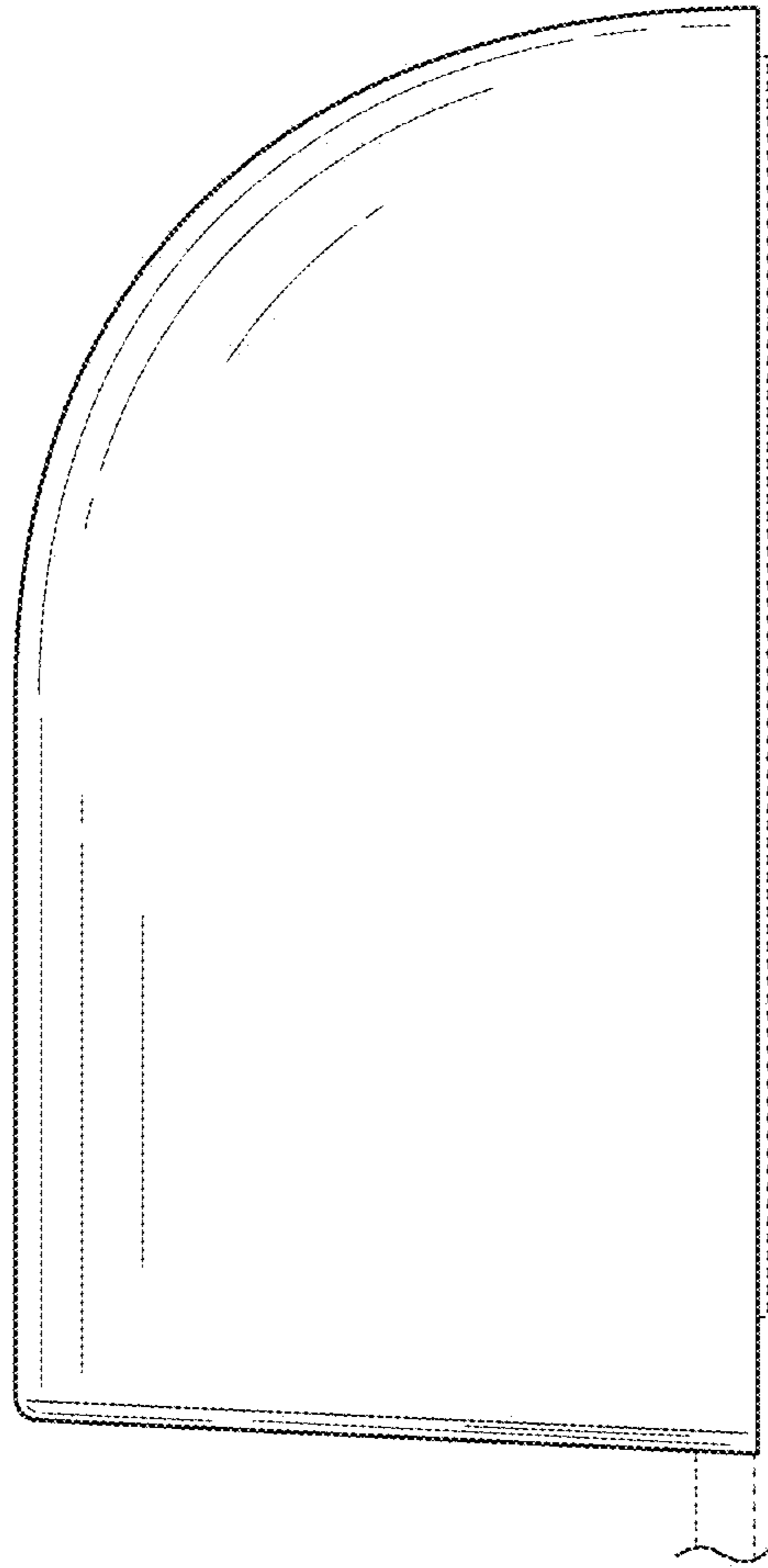


FIG. 4

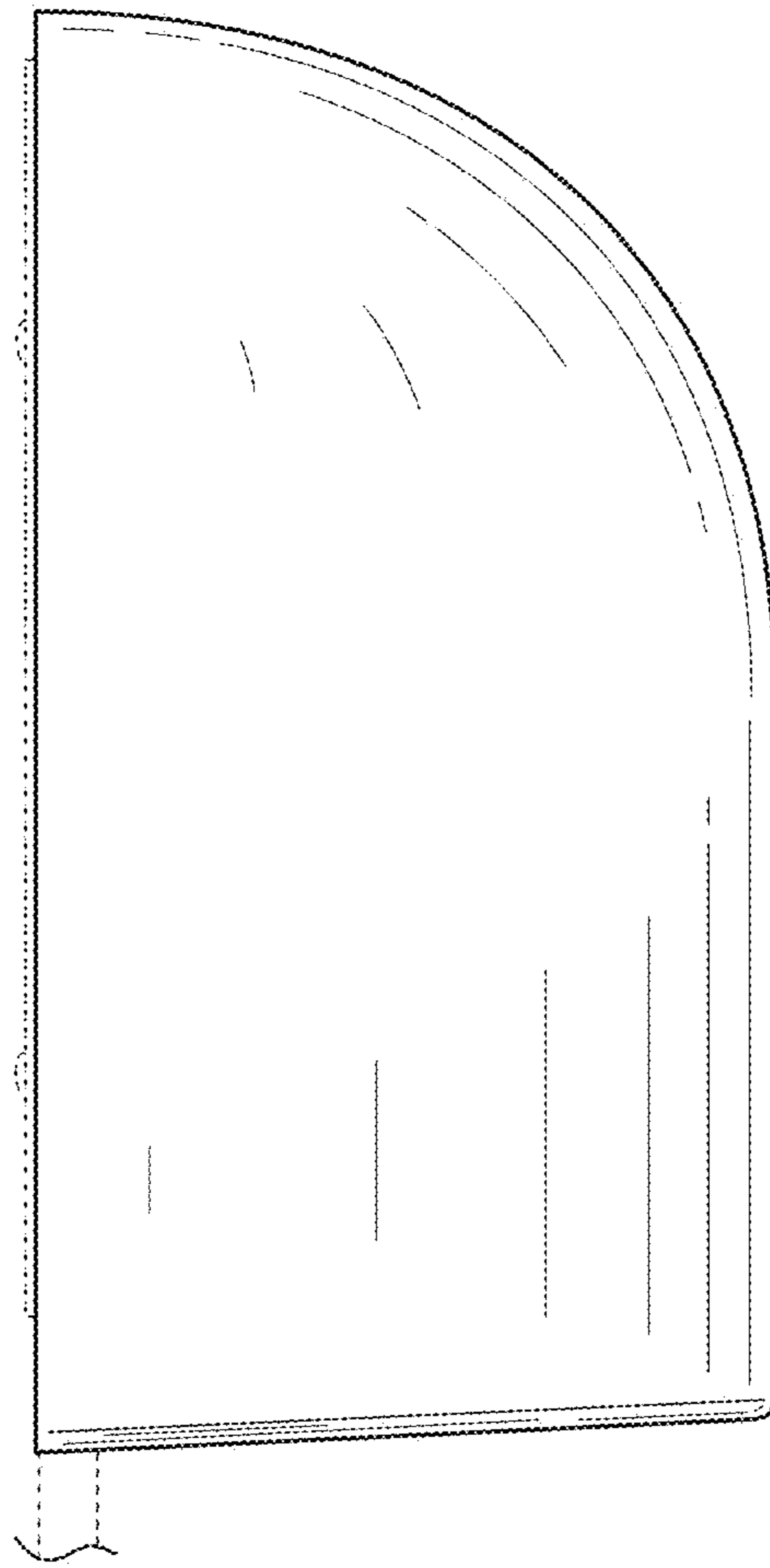


FIG. 5

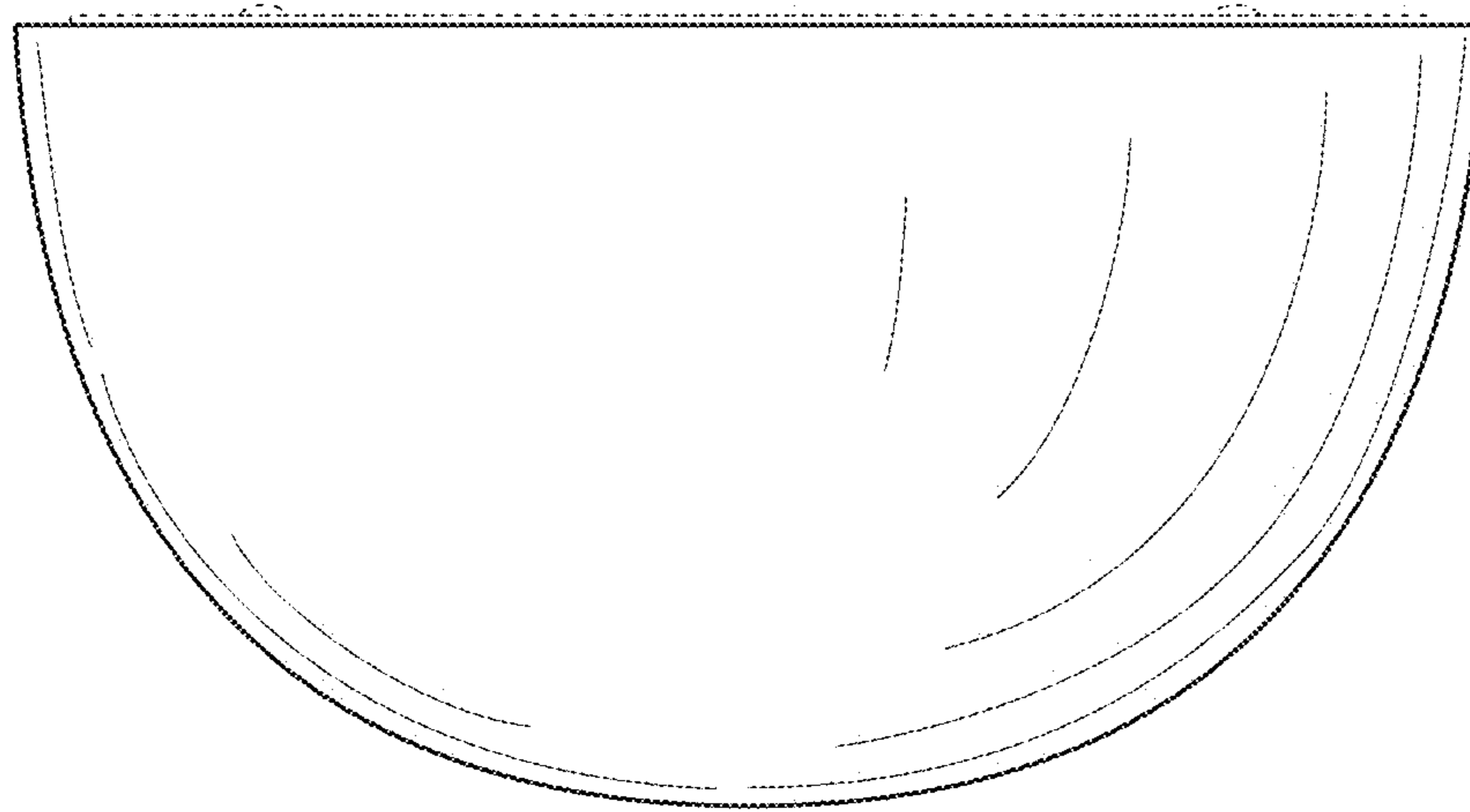


FIG. 6

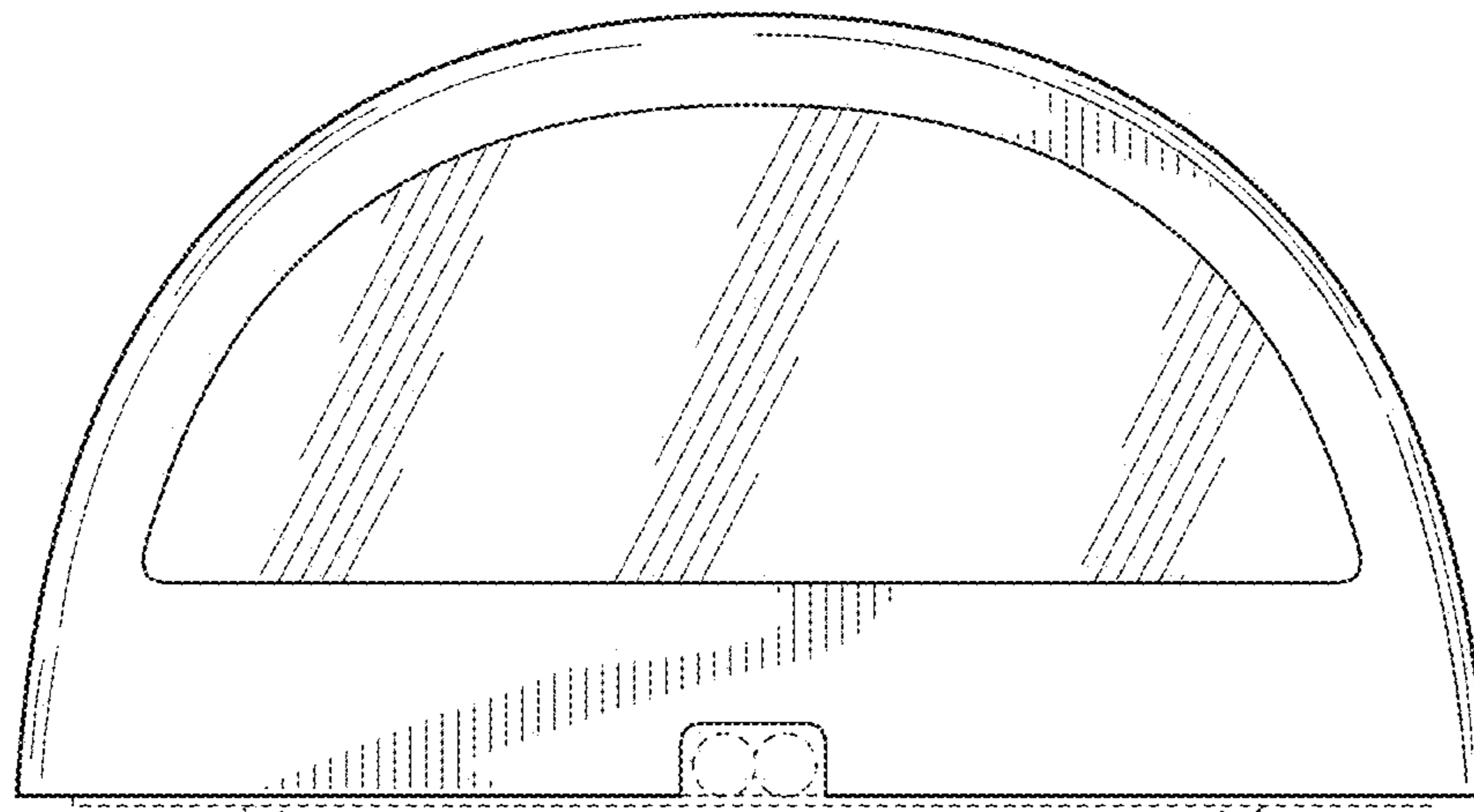


FIG. 7