



US00D757981S

(12) **United States Design Patent**  
**Stolte**

(10) **Patent No.:** **US D757,981 S**  
(45) **Date of Patent:** **\*\* May 31, 2016**

(54) **LIGHTING FIXTURE**

(71) Applicant: **KENALL MANUFACTURING COMPANY**, Kenosha, WI (US)

(72) Inventor: **Brandon Stolte**, Lindenhurst, IL (US)

(73) Assignee: **KENALL MANUFACTURING COMPANY**, Kenosha, WI (US)

(\*\*) Term: **15 Years**

(21) Appl. No.: **29/538,180**

(22) Filed: **Sep. 1, 2015**

**Related U.S. Application Data**

(62) Division of application No. 29/483,032, filed on Feb. 25, 2014, now Pat. No. Des. 743,085.

(51) **LOC (10) Cl.** ..... **26-03**

(52) **U.S. Cl.**  
USPC ..... **D26/76; D26/89**

(58) **Field of Classification Search**

USPC ..... D26/28, 75, 76, 63, 65, 80-91, 118  
CPC ..... F21S 8/033; F21S 8/04; F21S 9/02;  
F21S 8/06; F21S 8/061; F21S 8/063; F21S  
8/065; F21S 8/068; F21L 13/00; F21V  
3/0418; F21V 3/0427; F21V 3/0436; F21V  
3/0445; F21V 21/008; F21V 21/104  
See application file for complete search history.

(56) **References Cited**

**U.S. PATENT DOCUMENTS**

D110,165 S 6/1938 Arenberg  
D122,582 S 9/1940 Biller et al.  
D122,709 S 9/1940 Korengold  
D123,762 S 12/1940 Pieper

D125,559 S 3/1941 Biller  
D129,836 S 10/1941 Koegel  
D166,093 S 3/1952 McPhail  
D168,974 S 3/1953 Spaulding  
D180,532 S \* 6/1957 Stevens ..... D26/76  
D180,533 S \* 6/1957 Stevens ..... D26/76  
D180,536 S 6/1957 Stevens  
D186,129 S 9/1959 Spaulding  
D266,578 S 10/1982 Moshier  
D294,302 S \* 2/1988 Littrell ..... D26/28  
D330,438 S \* 10/1992 Herst ..... D26/76  
D334,821 S \* 4/1993 Morgan ..... D26/28  
D507,373 S \* 7/2005 Kim, II ..... D10/111  
D603,549 S \* 11/2009 Ng ..... D26/80

(Continued)

*Primary Examiner* — Clare E Heflin

(74) *Attorney, Agent, or Firm* — Marshall, Gerstein & Borun LLP

(57) **CLAIM**

The ornamental design for a lighting fixture, as shown and described.

**DESCRIPTION**

FIG. 1 is a perspective view showing the new design for a lighting fixture;

FIG. 2 is a bottom view of the lighting fixture of FIG. 1;

FIG. 3 is a top view of the lighting fixture of FIG. 1;

FIG. 4 is a left-side view of the lighting fixture of FIG. 1;

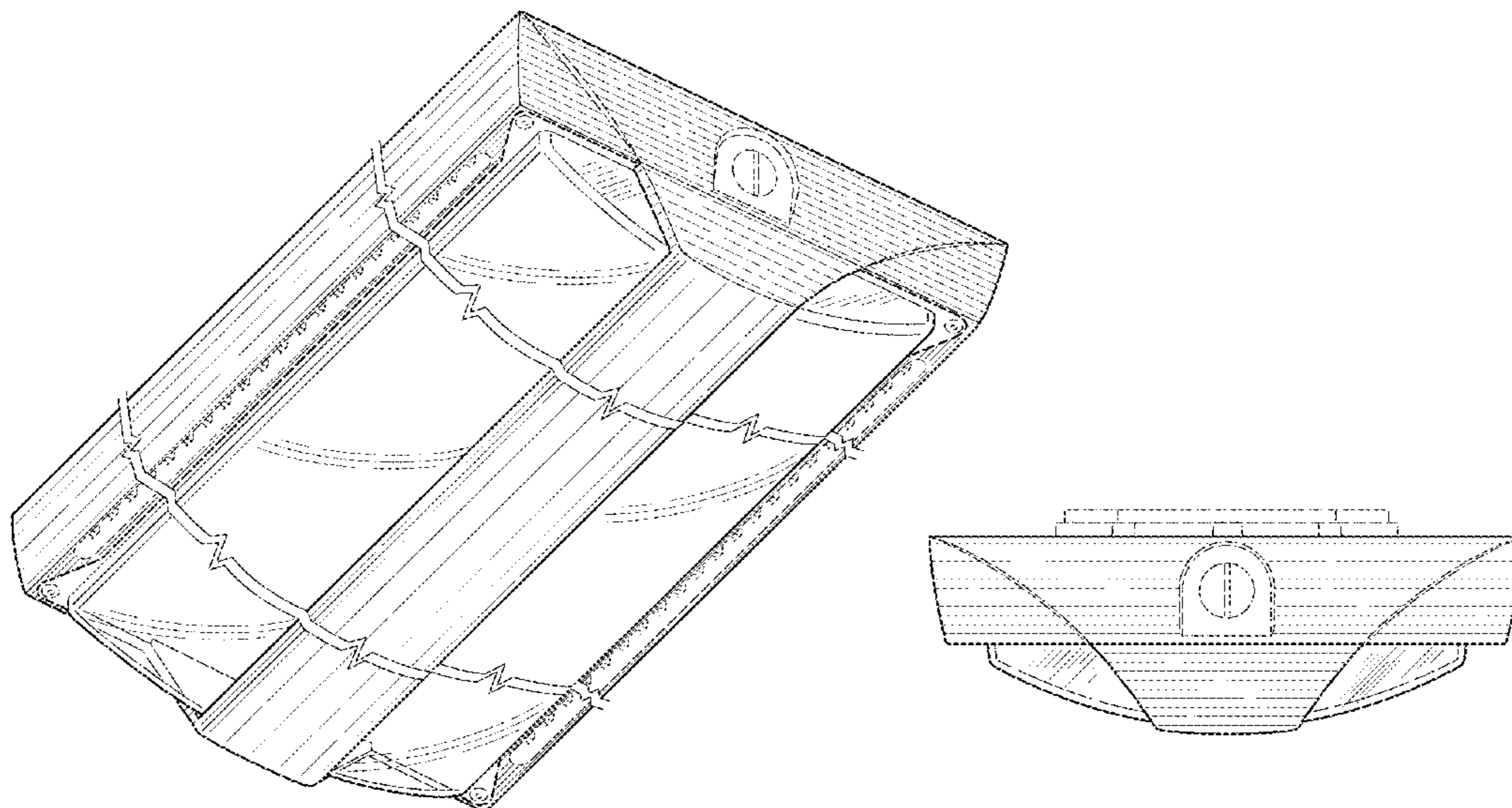
FIG. 5 is a right-side view of the lighting fixture of FIG. 1;

FIG. 6 is a front view of the lighting fixture of FIG. 1; and,

FIG. 7 is a rear view of the lighting fixture of FIG. 1.

The dashed lines showing portions of the lighting fixture are included for the purpose of illustrating environment and form no part of the claimed design. Where the figures show the article broken away, they are understood to indicate unclaimed length.

**1 Claim, 5 Drawing Sheets**



# US D757,981 S

Page 2

---

(56)

## References Cited

### U.S. PATENT DOCUMENTS

D606,229 S \* 12/2009 Johansen ..... D26/76  
D617,935 S \* 6/2010 Miletich ..... D26/76  
D649,673 S \* 11/2011 Liang ..... D26/72

D679,440 S \* 4/2013 Smith ..... D26/76  
D728,140 S \* 4/2015 Lay ..... D26/76  
D743,085 S \* 11/2015 Stolte ..... D26/76  
D743,611 S \* 11/2015 Wouters ..... D26/80

\* cited by examiner

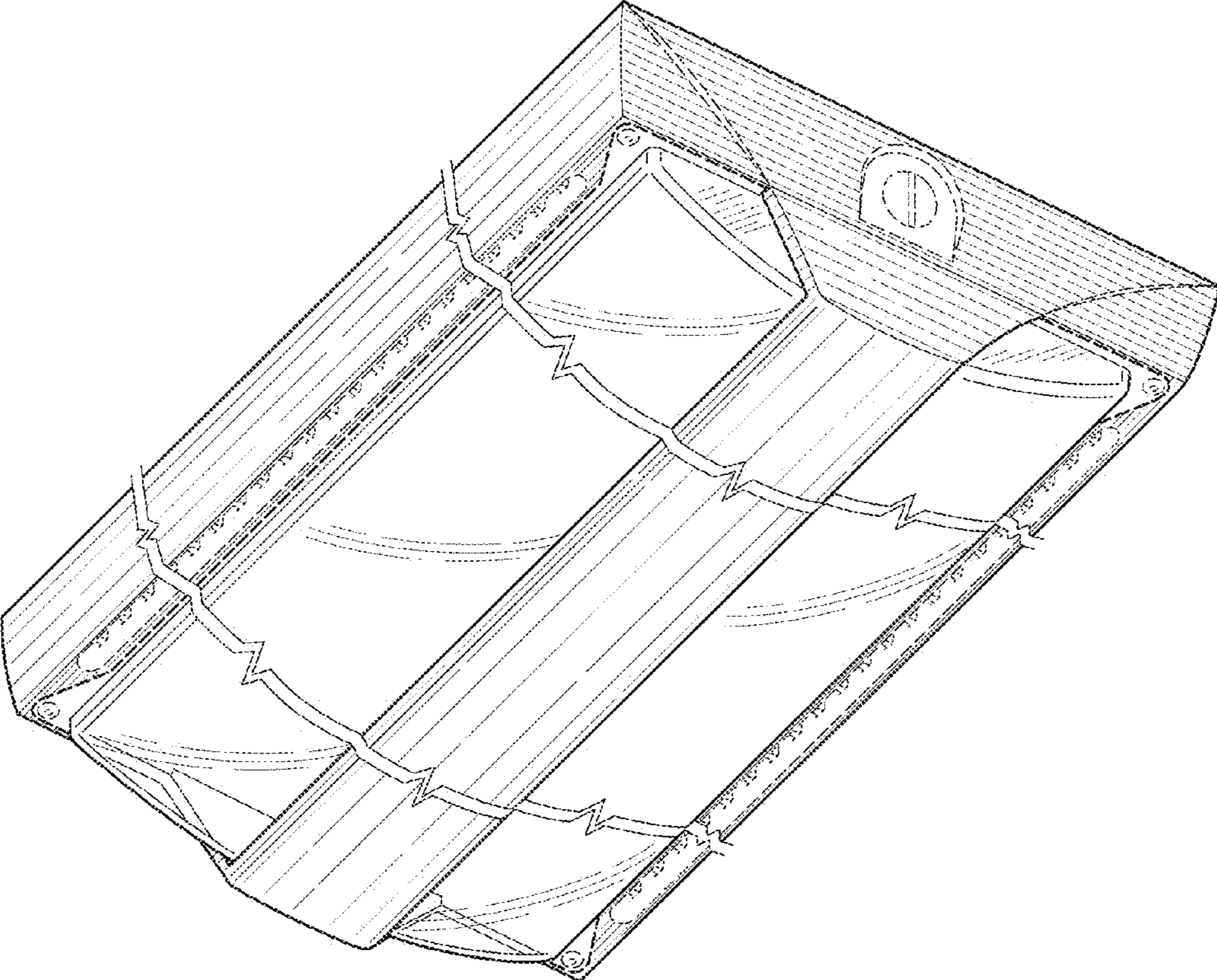


FIG. 1

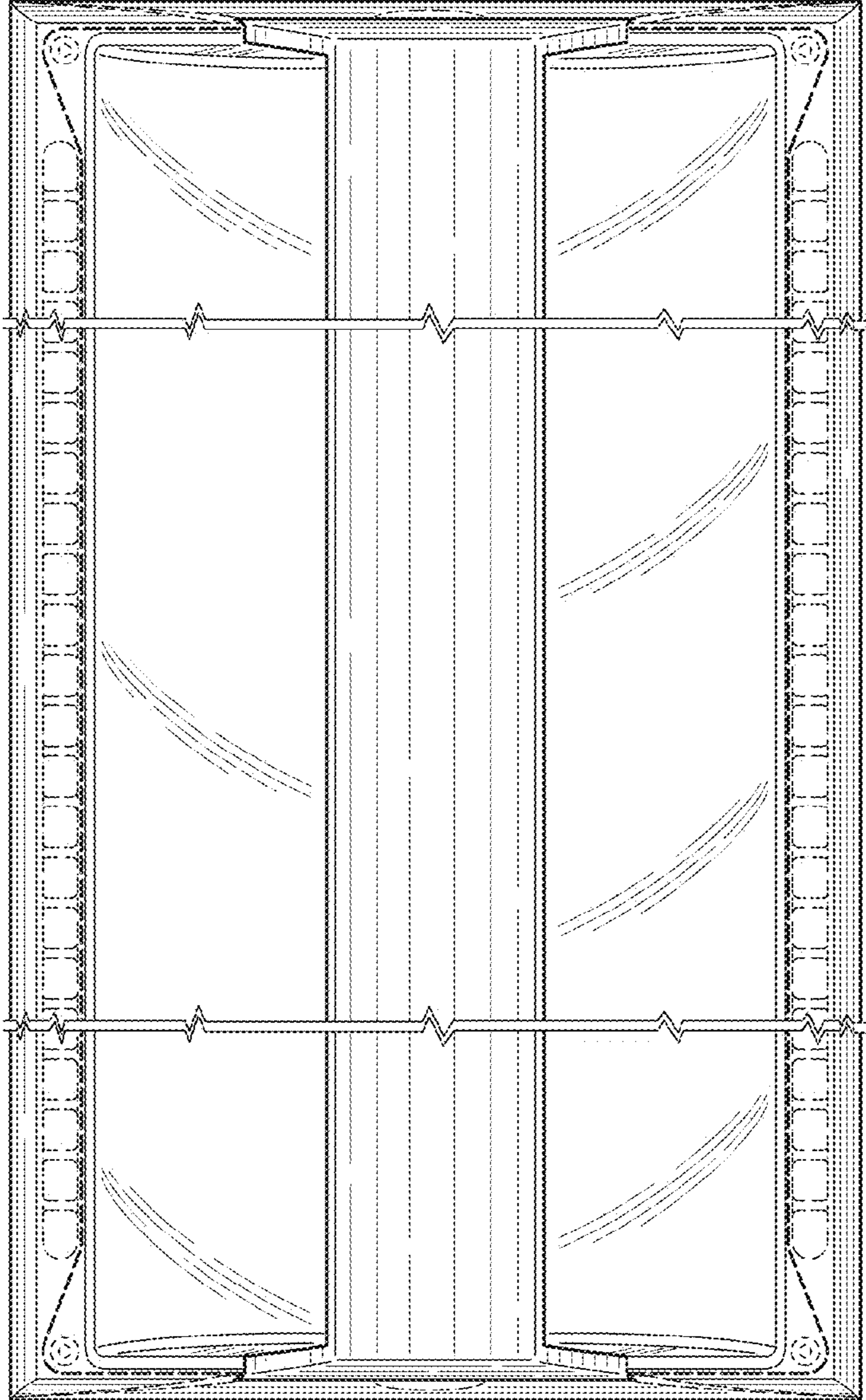


FIG. 2

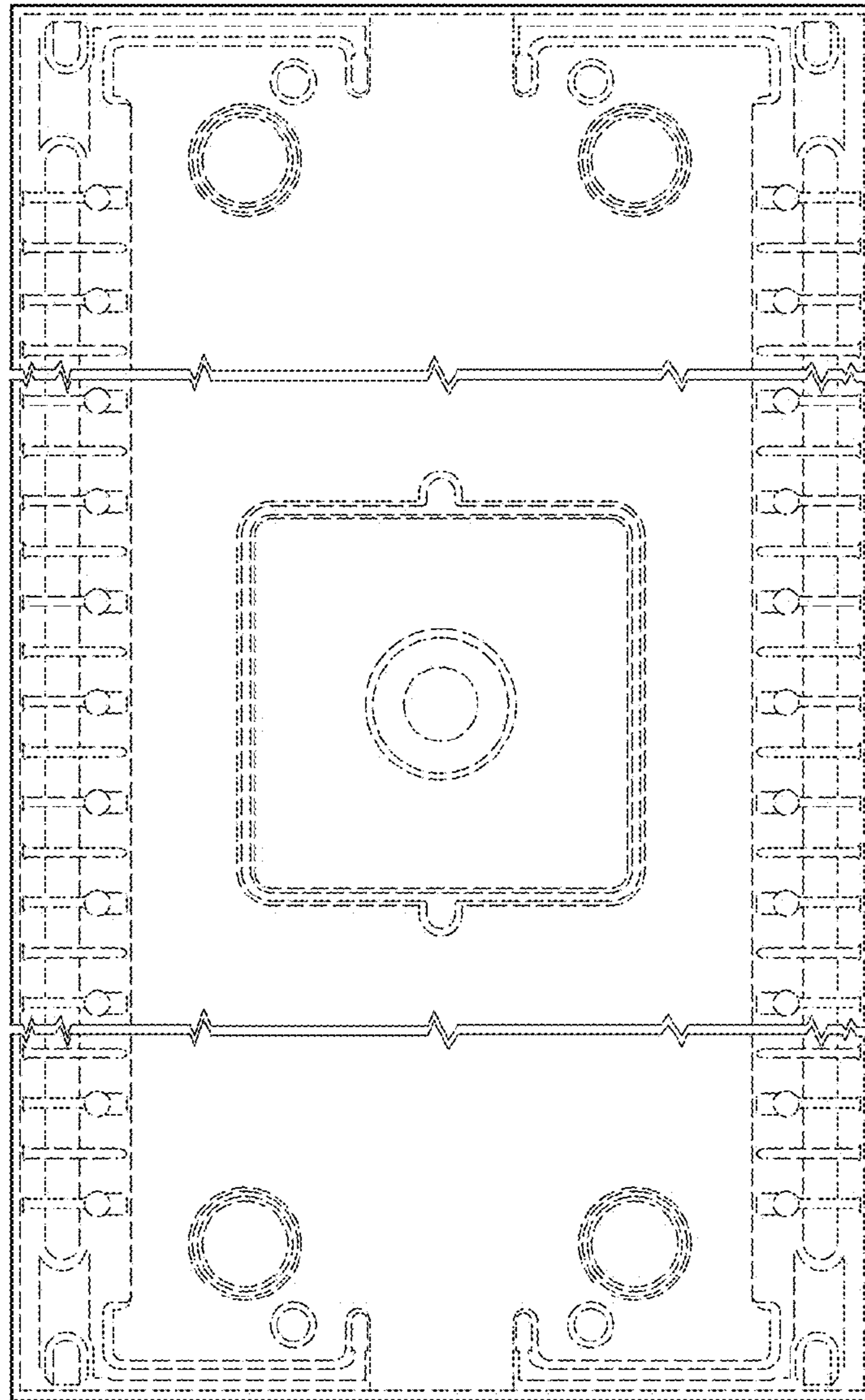
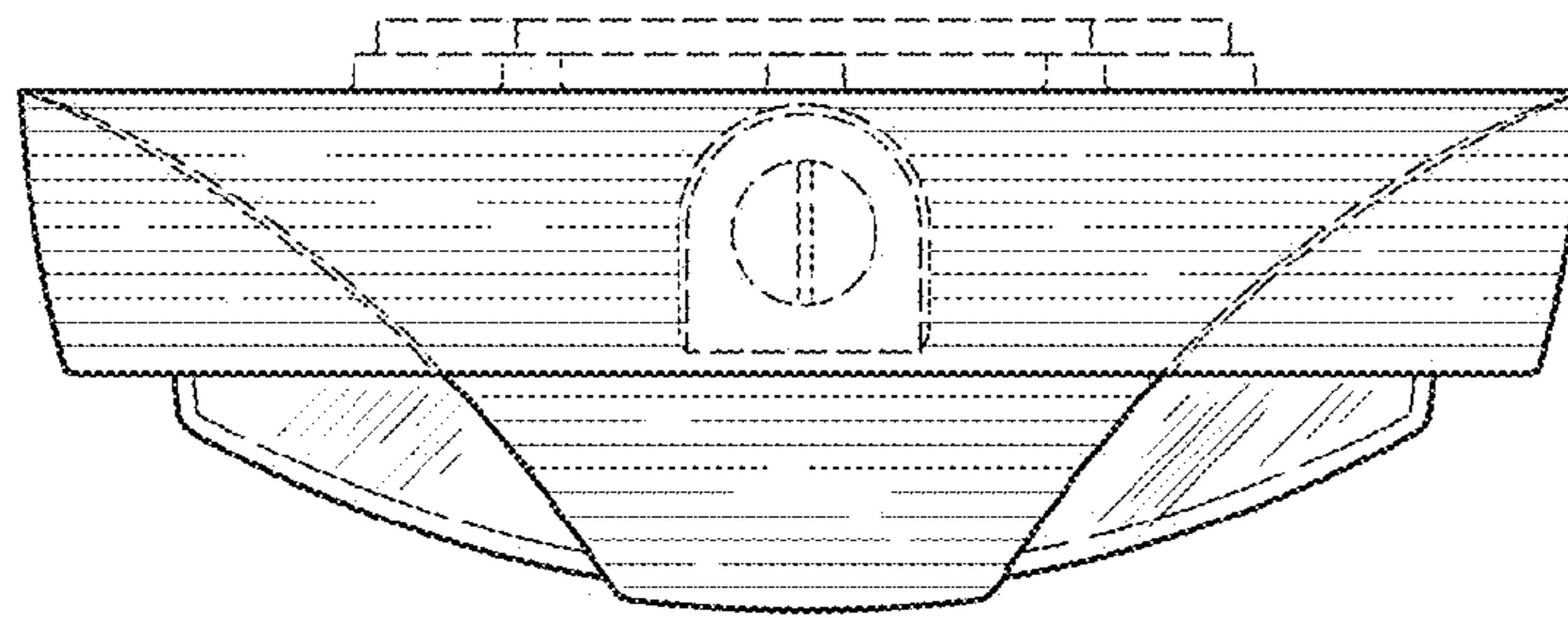
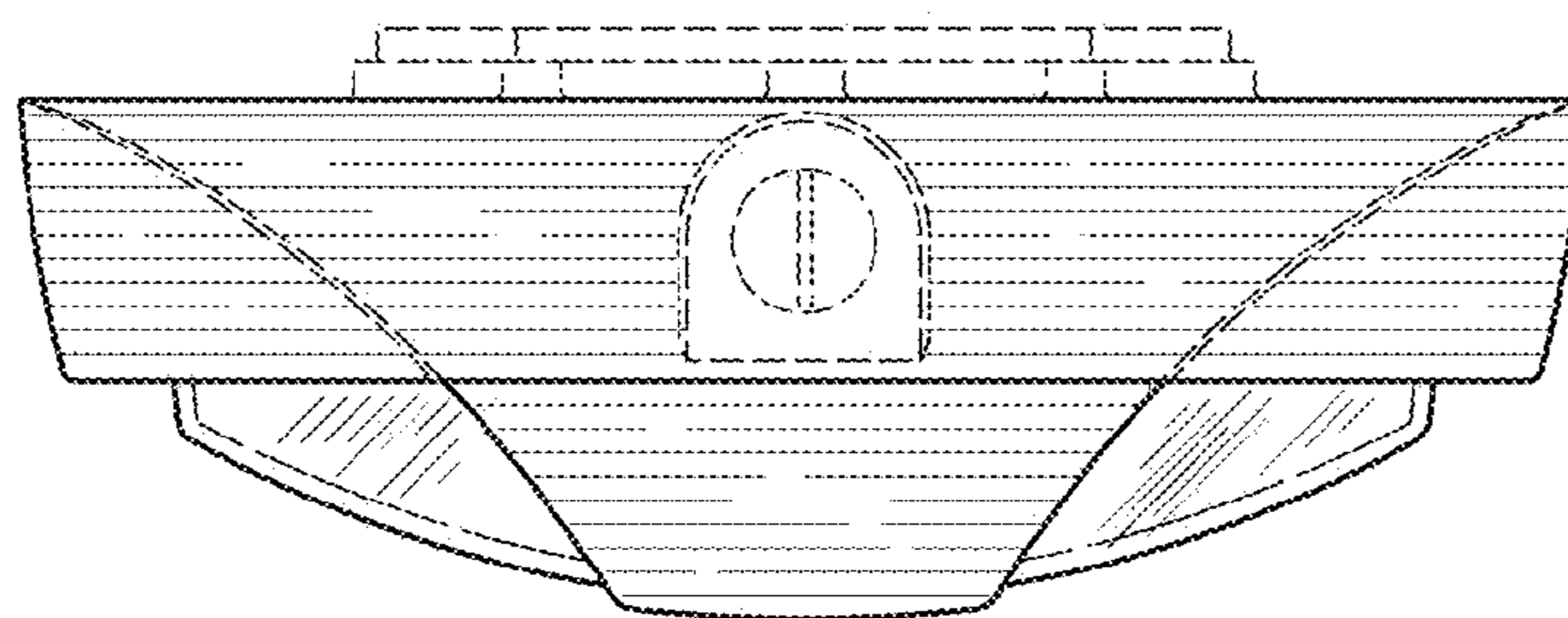


FIG. 3



**FIG. 4**



**FIG. 5**

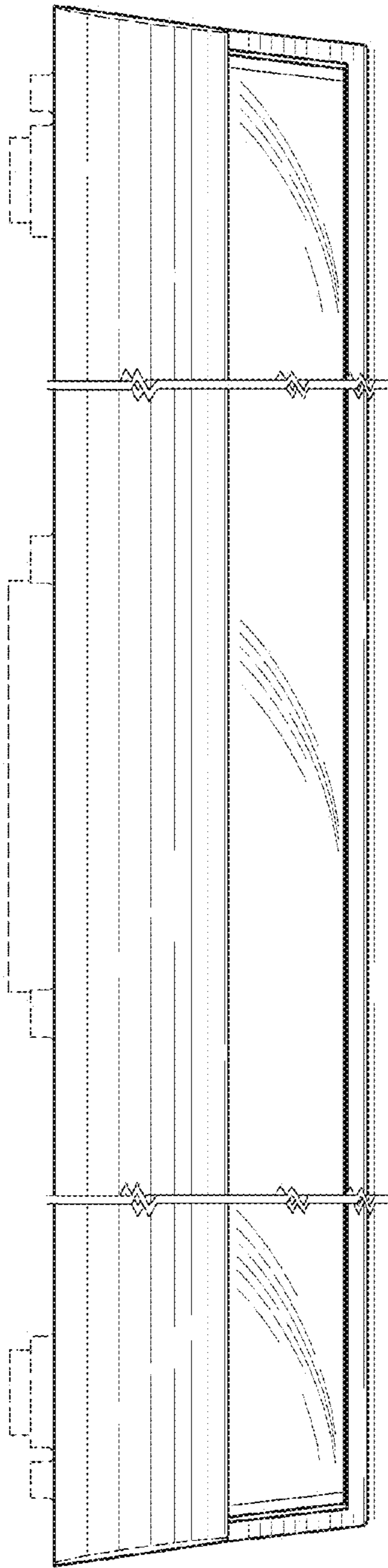


FIG. 6

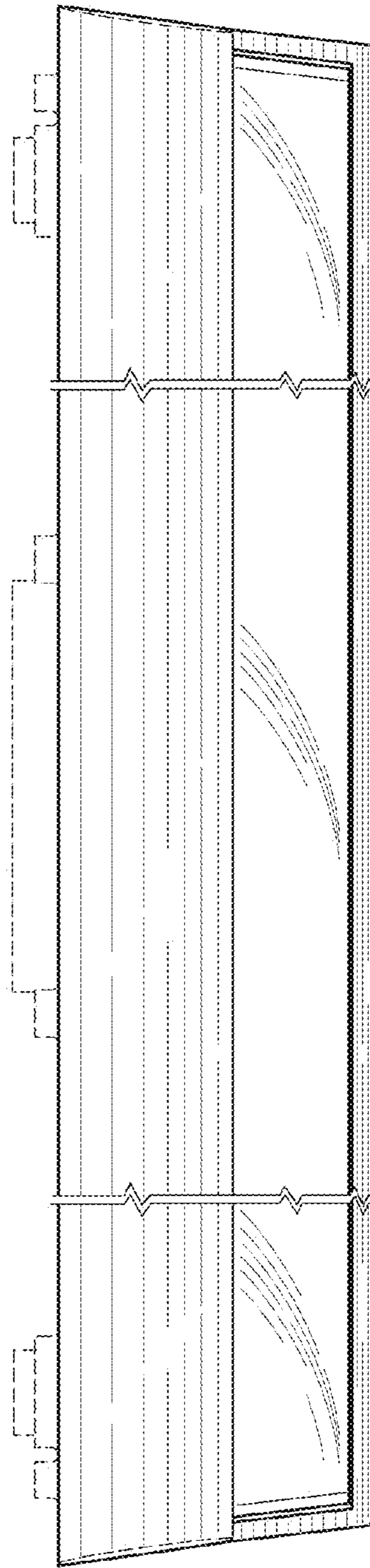


FIG. 7