

US00D757980S

(12) **United States Design Patent**
Sooferian

(10) **Patent No.:** **US D757,980 S**
(45) **Date of Patent:** **** May 31, 2016**

(54) **SOLAR LIGHT**

(71) Applicant: **Danny H Sooferian**, Camarillo, CA
(US)

(72) Inventor: **Danny H Sooferian**, Camarillo, CA
(US)

(**) Term: **15 Years**

(21) Appl. No.: **29/529,247**

(22) Filed: **Jun. 4, 2015**

(51) **LOC (10) Cl.** **26-05**

(52) **U.S. Cl.**

USPC **D26/68**

(58) **Field of Classification Search**

USPC D26/63, 67-70

CPC F21S 6/004; F21S 6/005; F21S 8/08;
F21S 8/081; F21S 8/083; F21S 8/088; F21S
9/03; F21S 9/032; F21S 9/035; F21S 9/037;
F21W 2131/109; F21W 2111/023; F21V
21/0824

See application file for complete search history.

(56) **References Cited**

U.S. PATENT DOCUMENTS

D497,021 S * 10/2004 Pu D26/67
D530,034 S * 10/2006 Hon D26/67
D532,141 S * 11/2006 Chen D26/67

D604,442 S * 11/2009 Chen D26/67
D605,804 S * 12/2009 Chen D26/67
D616,131 S * 5/2010 Chen D26/67
D678,576 S * 3/2013 Chen D26/67
8,901,827 B1 * 12/2014 Xu F21S 9/037
315/153
2005/0135101 A1 * 6/2005 Richmond F21S 9/037
362/276
2009/0268438 A1 * 10/2009 Huang F21S 8/088
362/183
2012/0069581 A1 * 3/2012 Chen F21S 9/037
362/311.14
2012/0243213 A1 * 9/2012 Chen H05B 33/0809
362/183
2015/0176812 A1 * 6/2015 Xinzhou F21S 10/00
362/183

* cited by examiner

Primary Examiner — Clare E Heflin

(74) *Attorney, Agent, or Firm* — Colin P. Abrahams

(57) **CLAIM**

The ornamental design for a solar light, as shown.

DESCRIPTION

FIG. 1 is a front view of a solar light of my new design;
FIG. 2 is a top view of the solar light shown in FIG. 1 of the
drawings;
FIG. 3 is a front or side perspective view of the solar light
shown in FIG. 1 of the drawings; and,
FIG. 4 is a bottom view of the solar light shown in FIG. 1 of
the drawings.

1 Claim, 1 Drawing Sheet

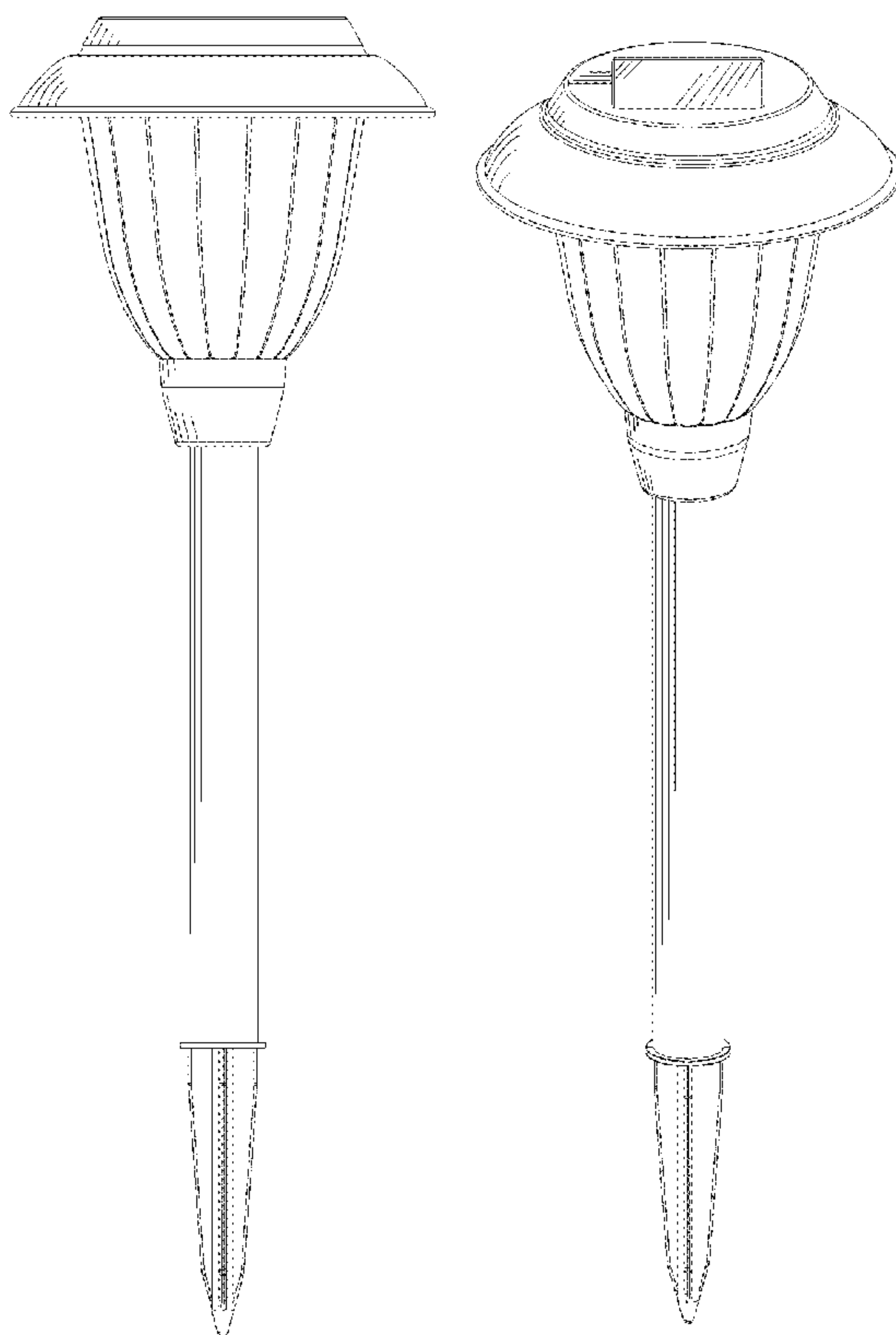


FIGURE 3

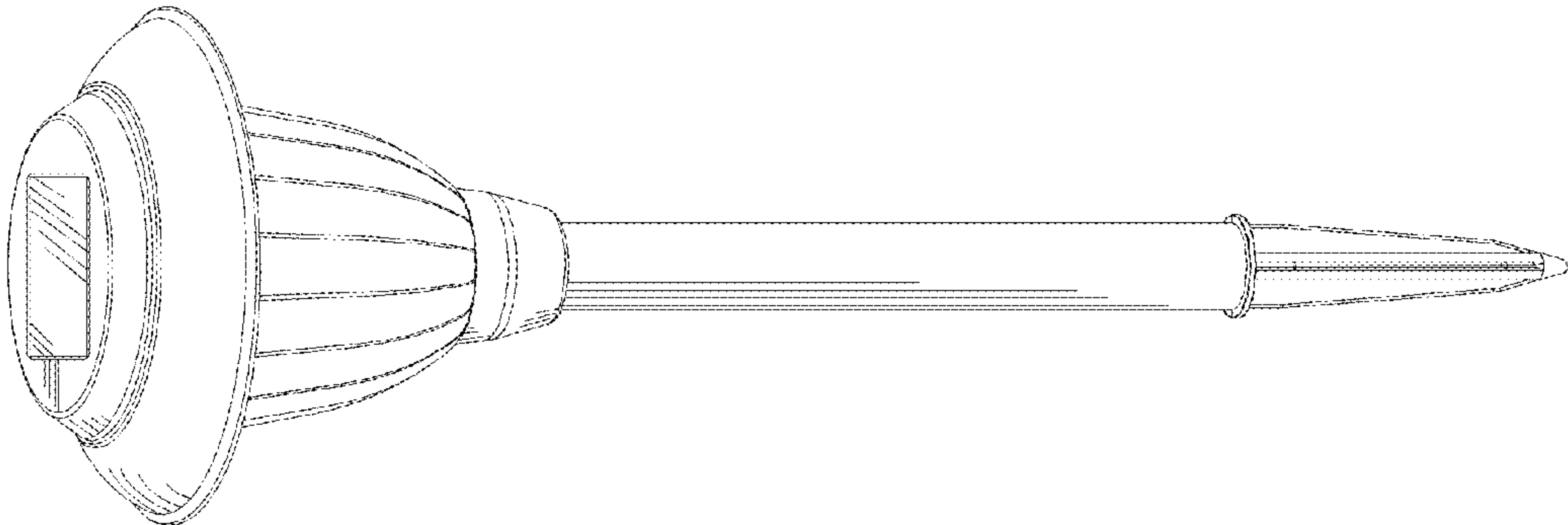


FIGURE 2

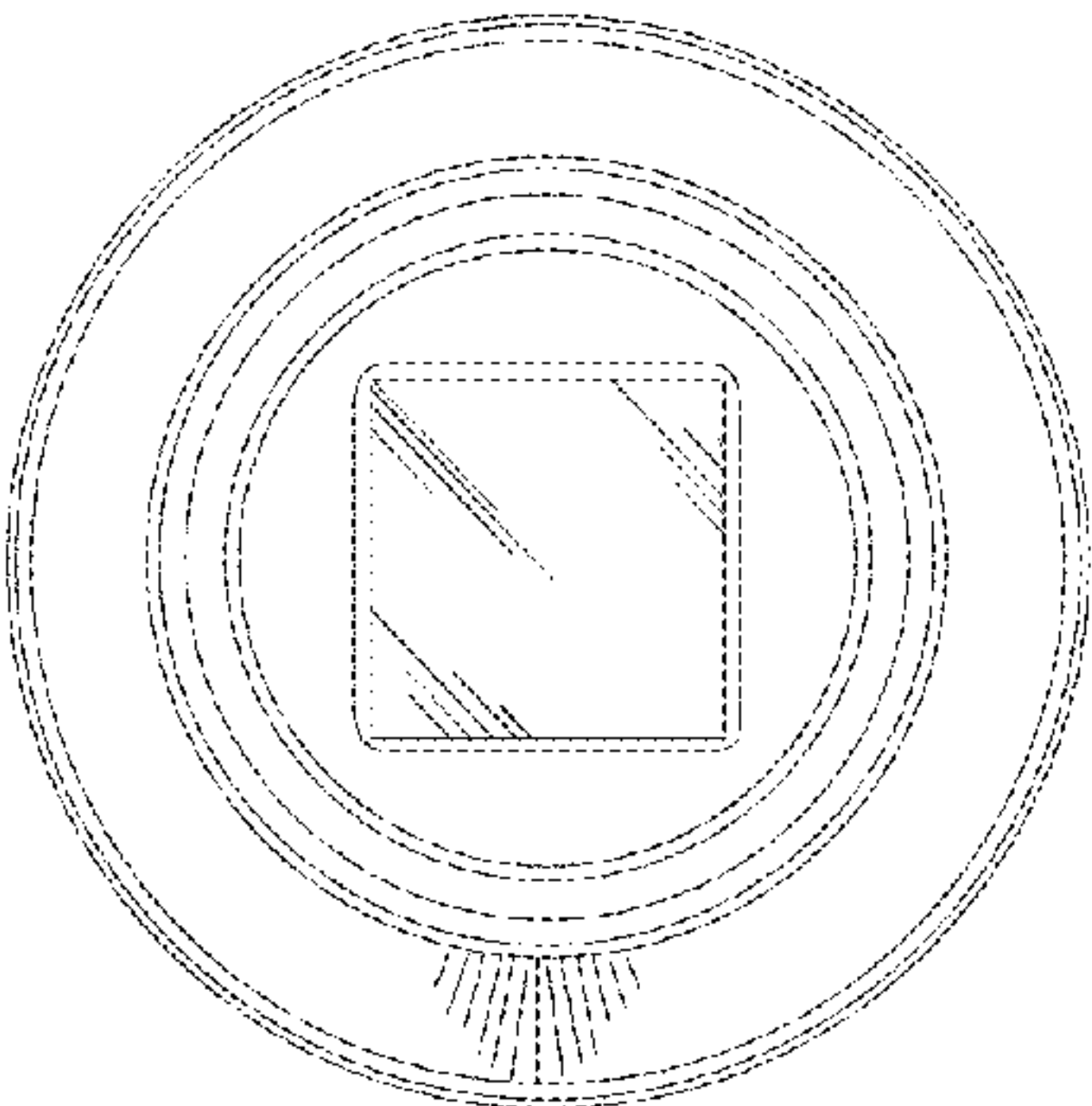


FIGURE 4

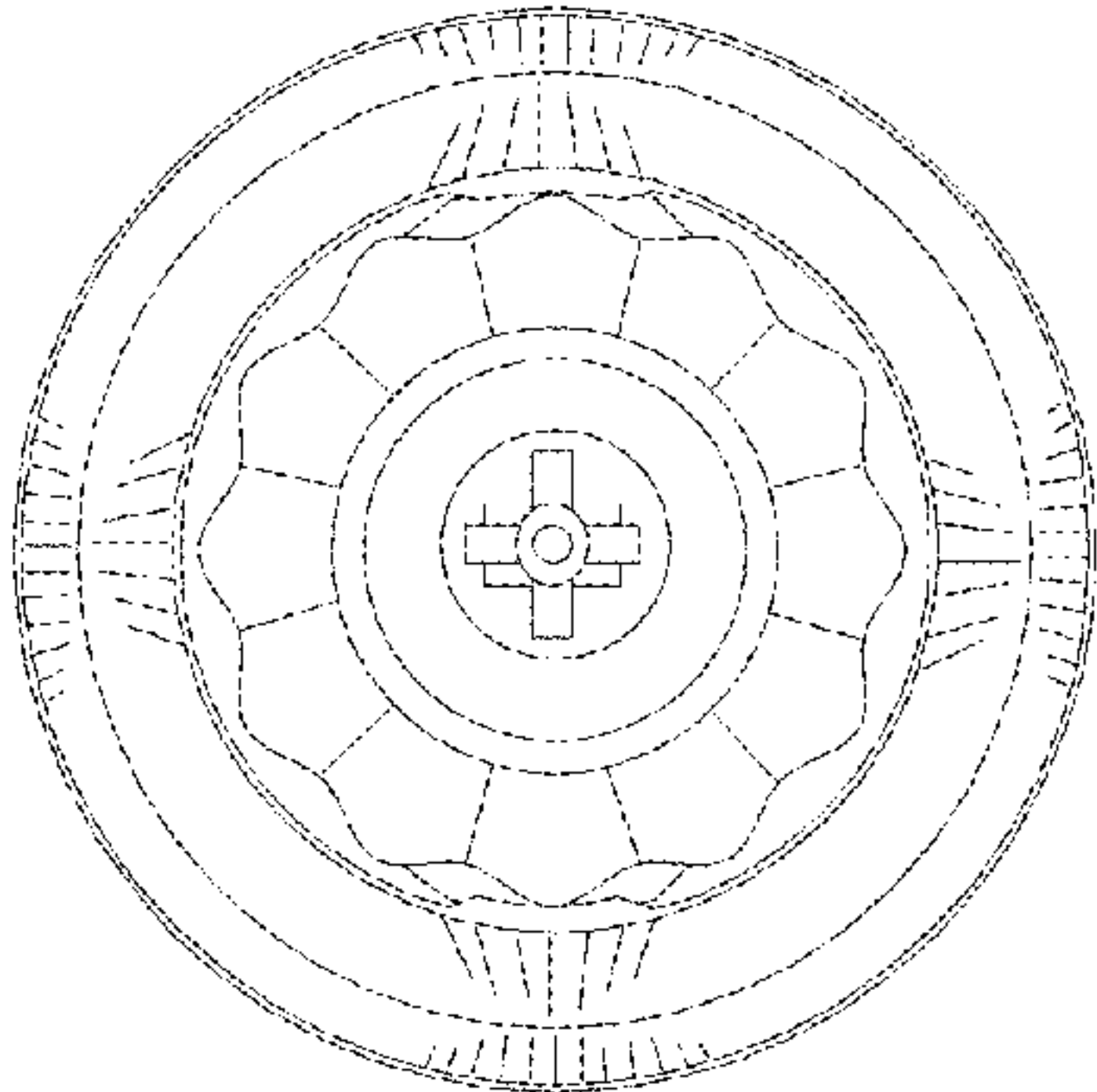


FIGURE 1

