



US00D757978S

(12) **United States Design Patent**
Mauro

(10) **Patent No.:** **US D757,978 S**
(45) **Date of Patent:** **** May 31, 2016**

(54) **LAMP**

(71) Applicant: **RIVA S.p.A.**, Sarnico (IT)

(72) Inventor: **Micheli Mauro**, Sarnico (IT)

(73) Assignee: **Ferretti S.p.A.**, Cattolica (RN) (IT)

(**) Term: **14 Years**

(21) Appl. No.: **29/504,000**

(22) Filed: **Oct. 1, 2014**

(30) **Foreign Application Priority Data**

Apr. 1, 2014 (EM) 002437277

(51) **LOC (10) Cl.** **26-03**

(52) **U.S. Cl.**
USPC **D26/63**

(58) **Field of Classification Search**
USPC D26/24, 93, 106, 107, 108, 110, 112,
D26/62, 63, 65

CPC F21S 6/00; F21S 6/002; F21S 8/043;
F21S 8/08; F21V 21/02; F21V 21/116;
F21W 2131/30; F21Y 2105/00

See application file for complete search history.

(56) **References Cited**

U.S. PATENT DOCUMENTS

D600,386 S * 9/2009 Huang D26/63
D607,141 S * 12/2009 Huang D26/107
D742,573 S * 11/2015 Kern D26/107
D744,693 S * 12/2015 Kitts D26/107

* cited by examiner

Primary Examiner — Brian N Vinson

(74) *Attorney, Agent, or Firm* — Blank Rome LLP

(57) **CLAIM**

I claim an ornamental design for a lamp, as shown and described.

DESCRIPTION

FIG. 1 is a front perspective view of a lamp of the present design;

FIG. 2 is a rear perspective view of the lamp of FIG. 1;

FIG. 3 is a rear perspective view of the lamp of FIG. 1, showing the base portion in an alternative position;

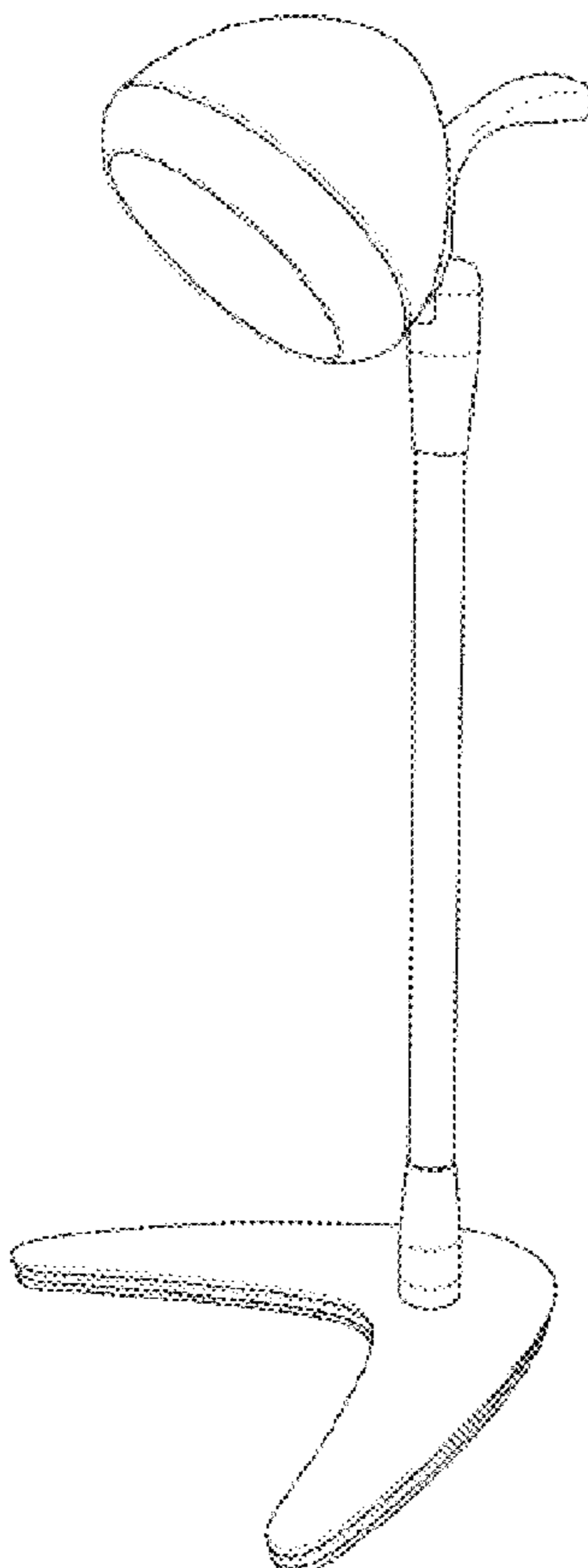
FIG. 4 is a front view of the lamp of FIG. 1;

FIG. 5 is a rear view of the lamp of FIG. 1; the opposite side view being a mirror image thereof; and

FIG. 6 is a side view of the lamp of FIG. 1, the opposite side view being a mirror image thereof; and,

FIG. 7 is a top view of the lamp of FIG. 1.

1 Claim, 7 Drawing Sheets



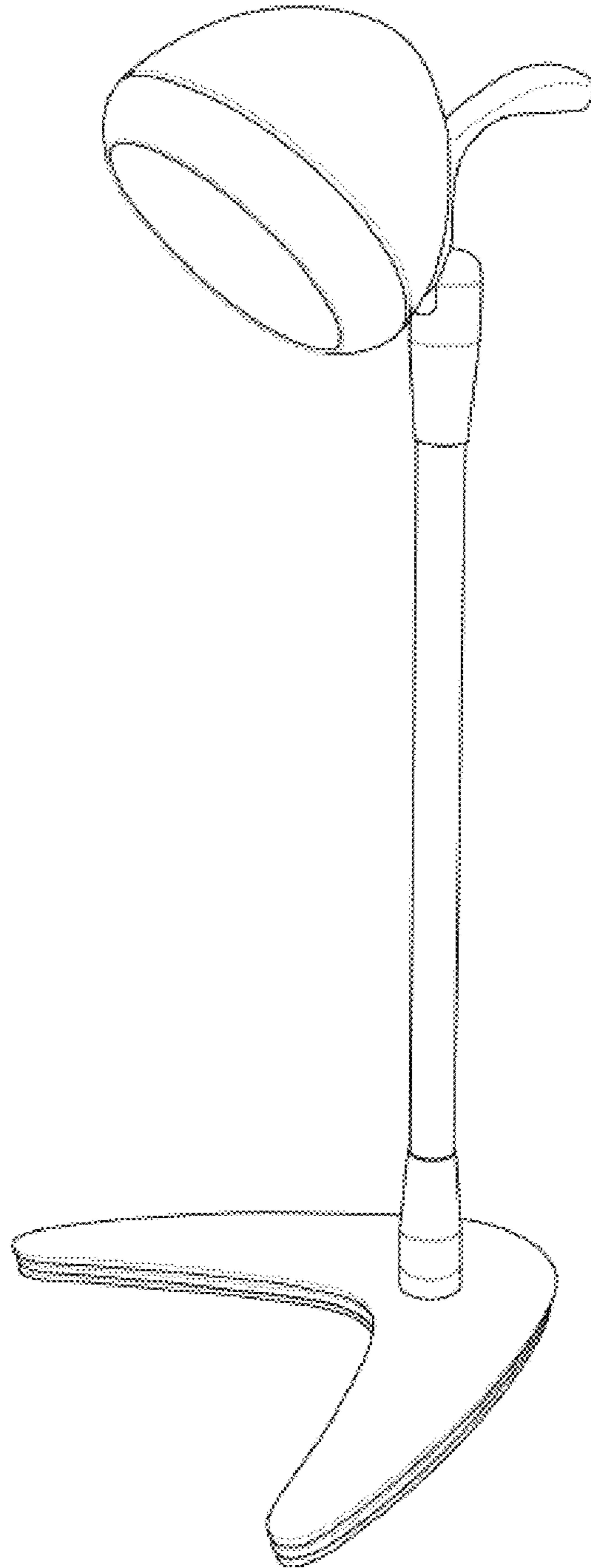


FIG. 1

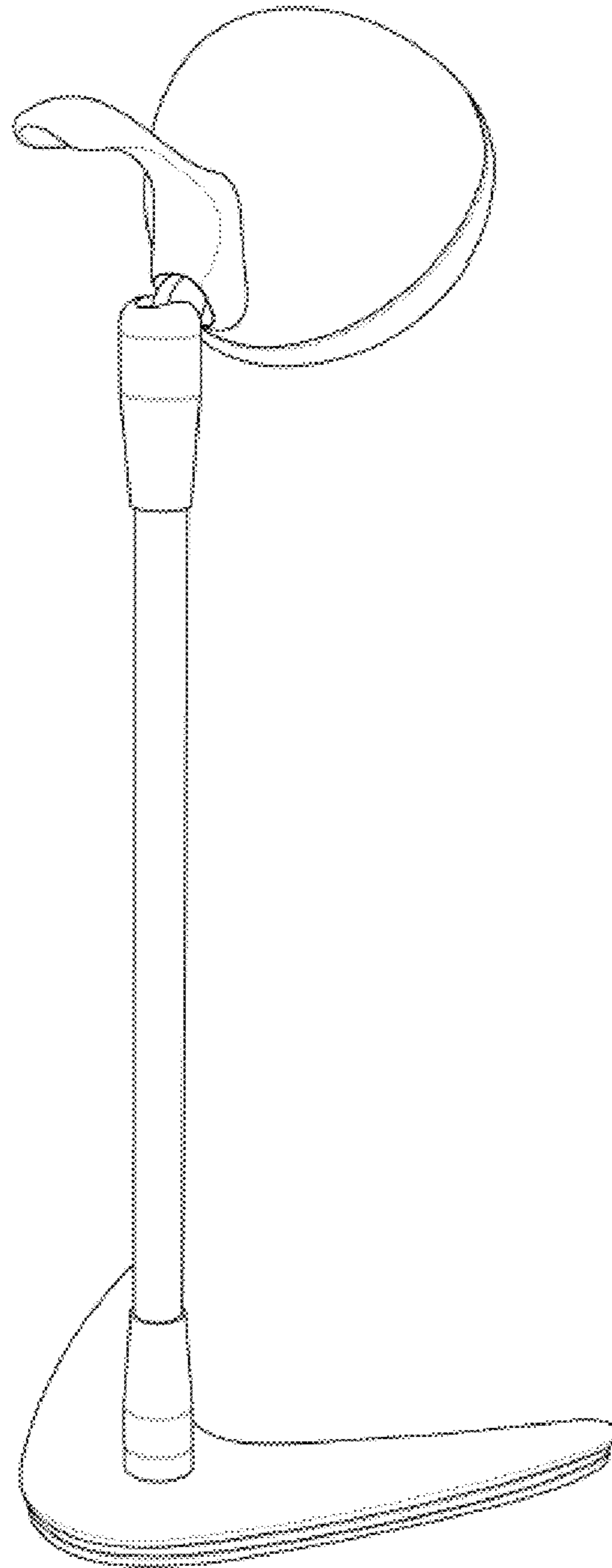


FIG. 2

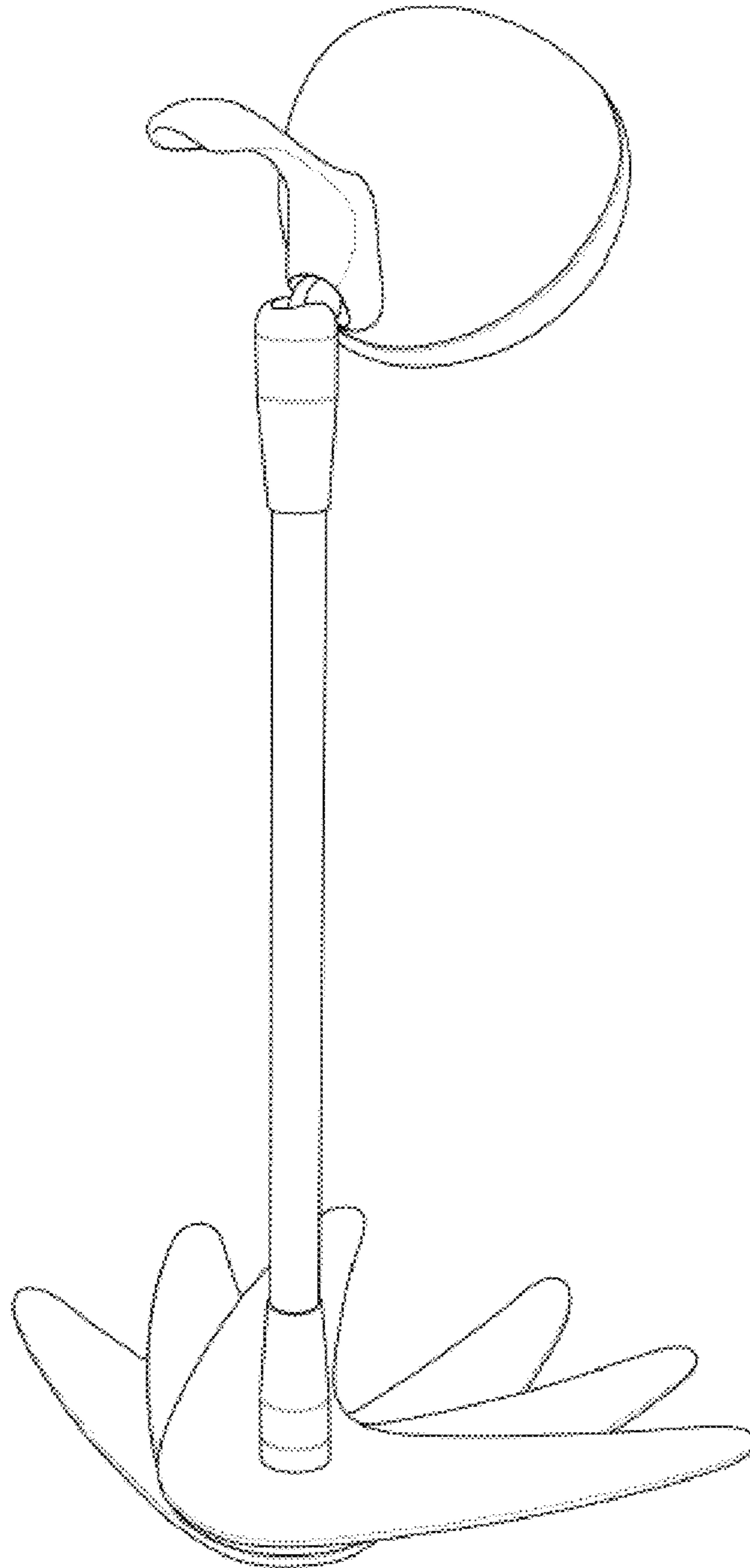


FIG. 3

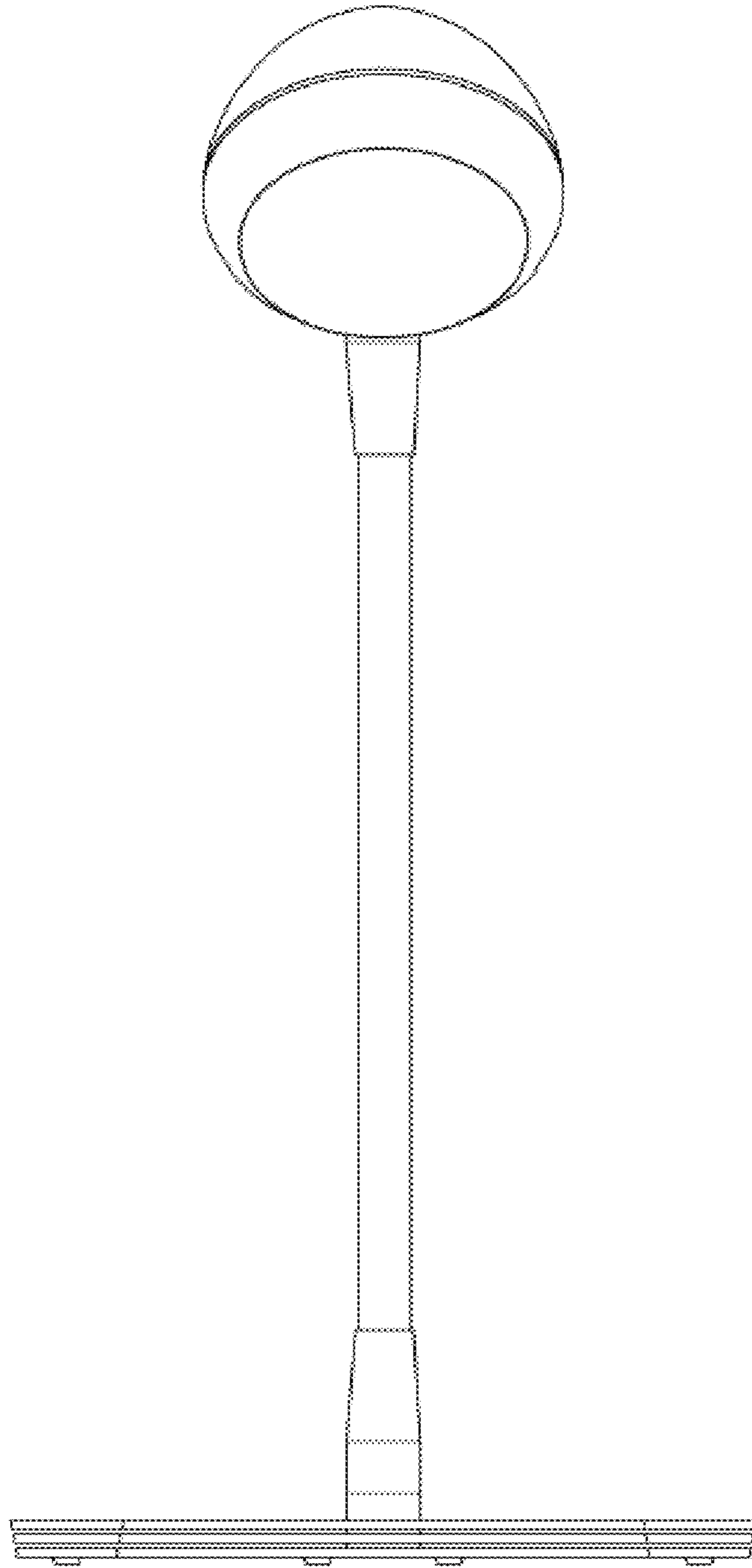


FIG. 4

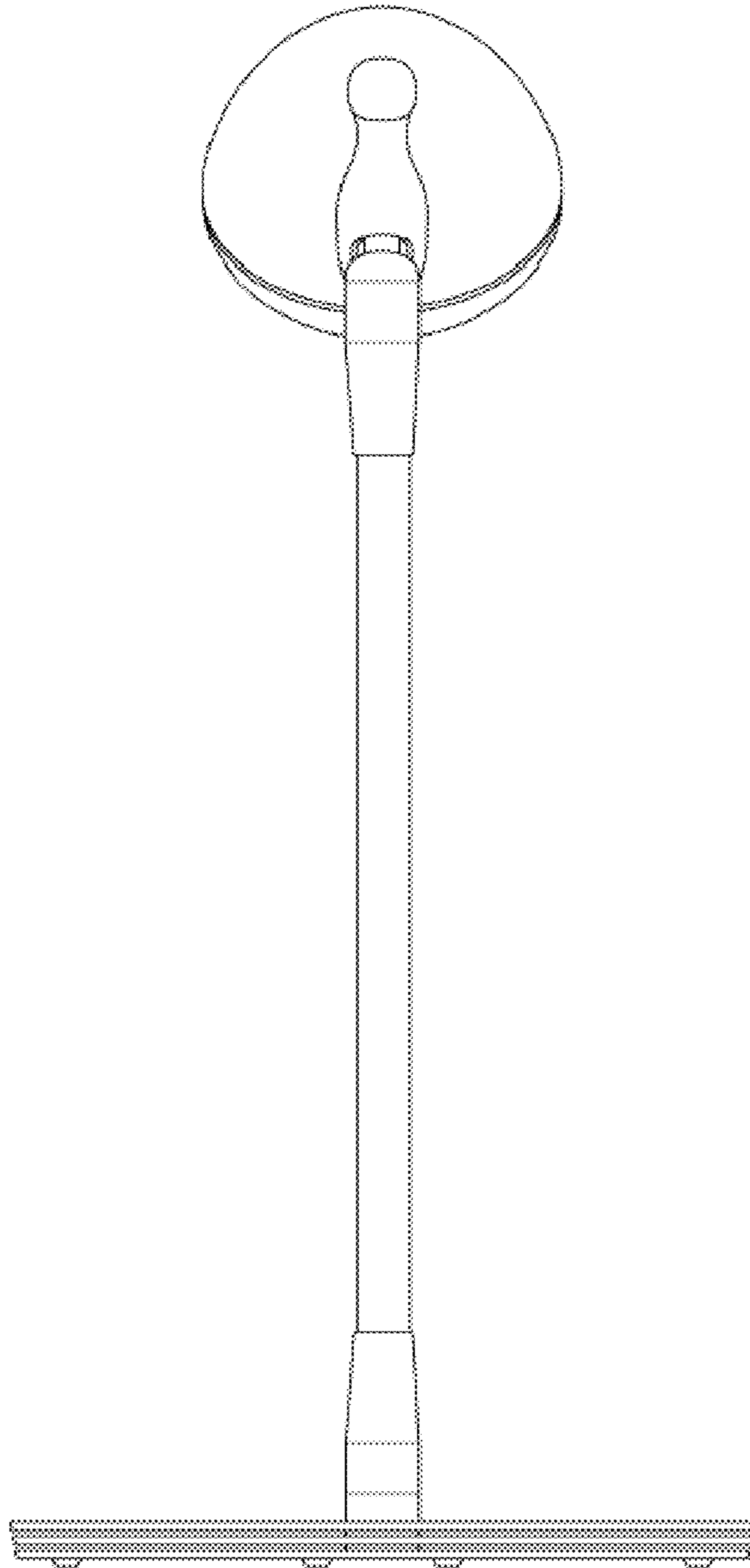


FIG. 5

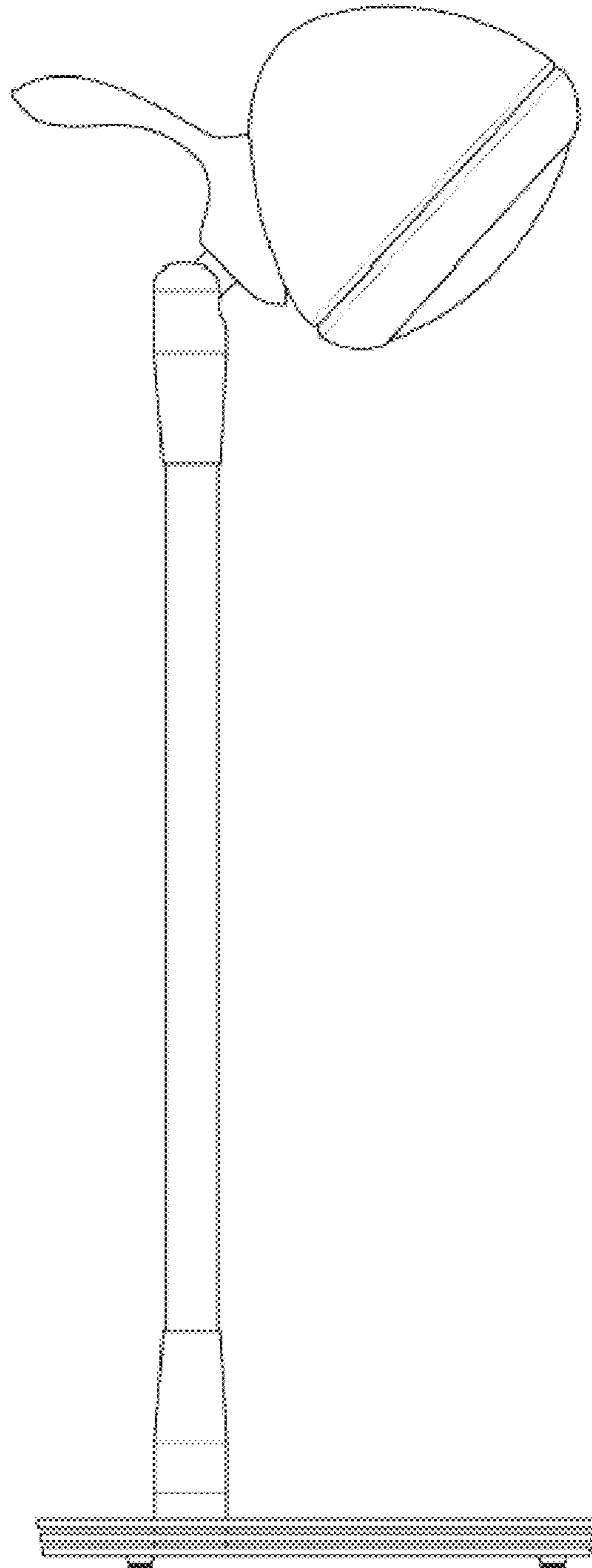


FIG. 6

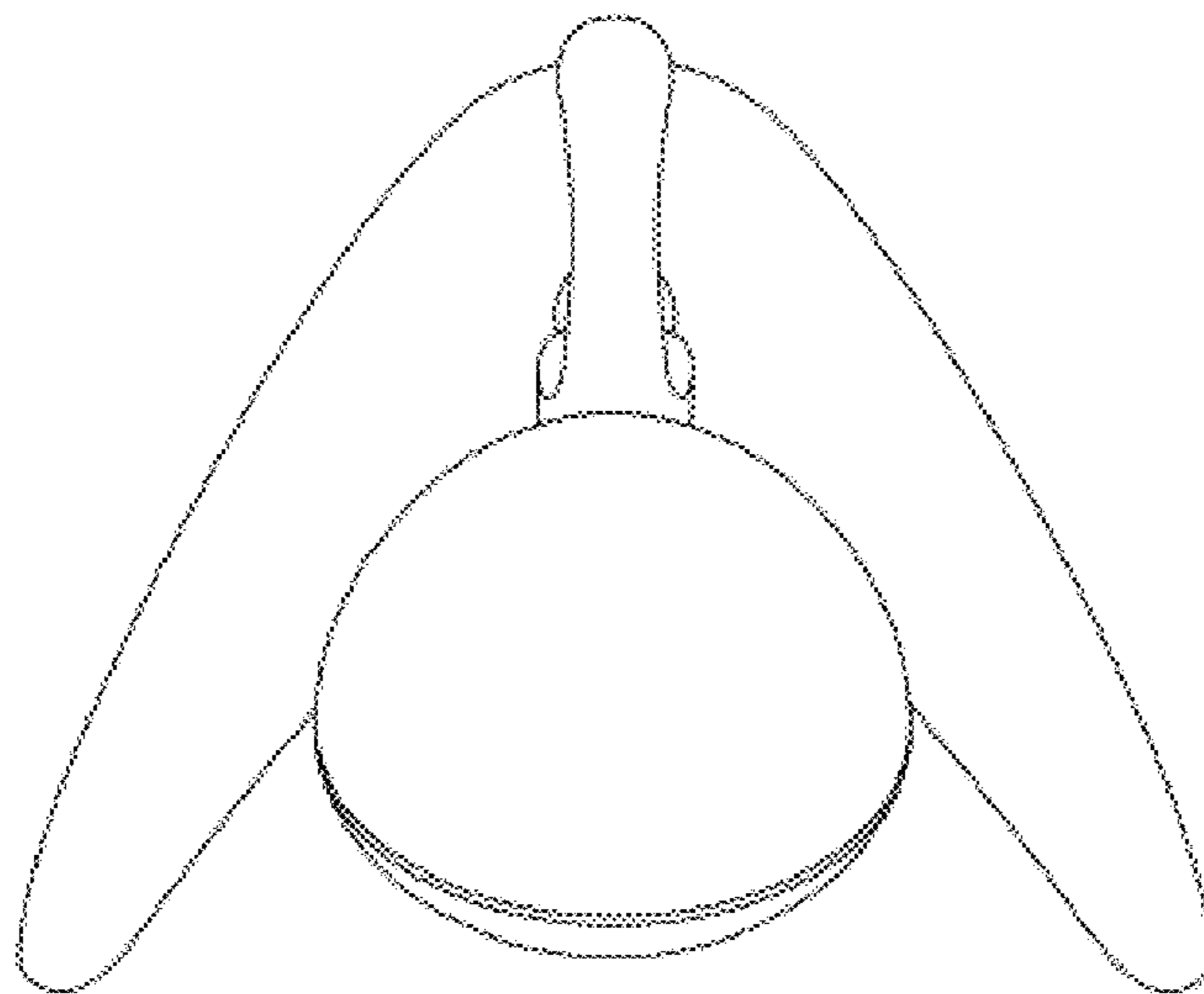


FIG. 7