



US00D757976S

(12) **United States Design Patent**
Eustace et al.

(10) **Patent No.:** **US D757,976 S**
(45) **Date of Patent:** **** May 31, 2016**

(54) **LED SOFT LIGHT**

- (71) Applicant: **MOLE-RICHARDSON CO., LTD**,
Hollywood, CA (US)
- (72) Inventors: **Brian Eustace**, Sierra Madre, CA (US);
Michael Davis, Running Springs, CA
(US); **Patrick Yi**, Los Angeles, CA (US)
- (73) Assignee: **Mole-Richardson Co., LTD**, Pacioma,
CA (US)
- (**) Term: **14 Years**
- (21) Appl. No.: **29/502,060**

- (22) Filed: **Sep. 11, 2014**
- (51) **LOC (10) Cl.** **26-03**
- (52) **U.S. Cl.**
USPC **D26/63**

- (58) **Field of Classification Search**
USPC D26/60-66, 72, 85, 87, 92
CPC F21K 9/00; F21V 5/007; F21V 7/005;
F21V 7/0083; F21V 11/04; F21V 11/14;
F21V 15/01; F21V 19/001; F21V 21/002;
F21V 21/06; F21V 21/0885; F21V 21/145;
F21V 21/30; F21V 33/0024
See application file for complete search history.

(56) **References Cited**
U.S. PATENT DOCUMENTS

D625,870 S	*	10/2010	Feigenbaum	D26/63
D650,504 S	*	12/2011	Kim	D26/63
D699,877 S	*	2/2014	Song	D26/63
D707,379 S	*	6/2014	Reinoso	D26/63

OTHER PUBLICATIONS

- Mole-Richardson, 1,000 Watt Molequartz Baby-Softlite, 2008.
- Mole-Richardson, 2,000 Watt Molequartz 2K Baby "Zip" Softlite, 2008.
- Mole-Richardson, 1,000 Watt Molequartz Baby Molepole Softlite, 2008.
- Mole-Richardson, 2,000 Watt Molequartz 2K Baby Molepole "Zip" Softlite, 2008.

* cited by examiner

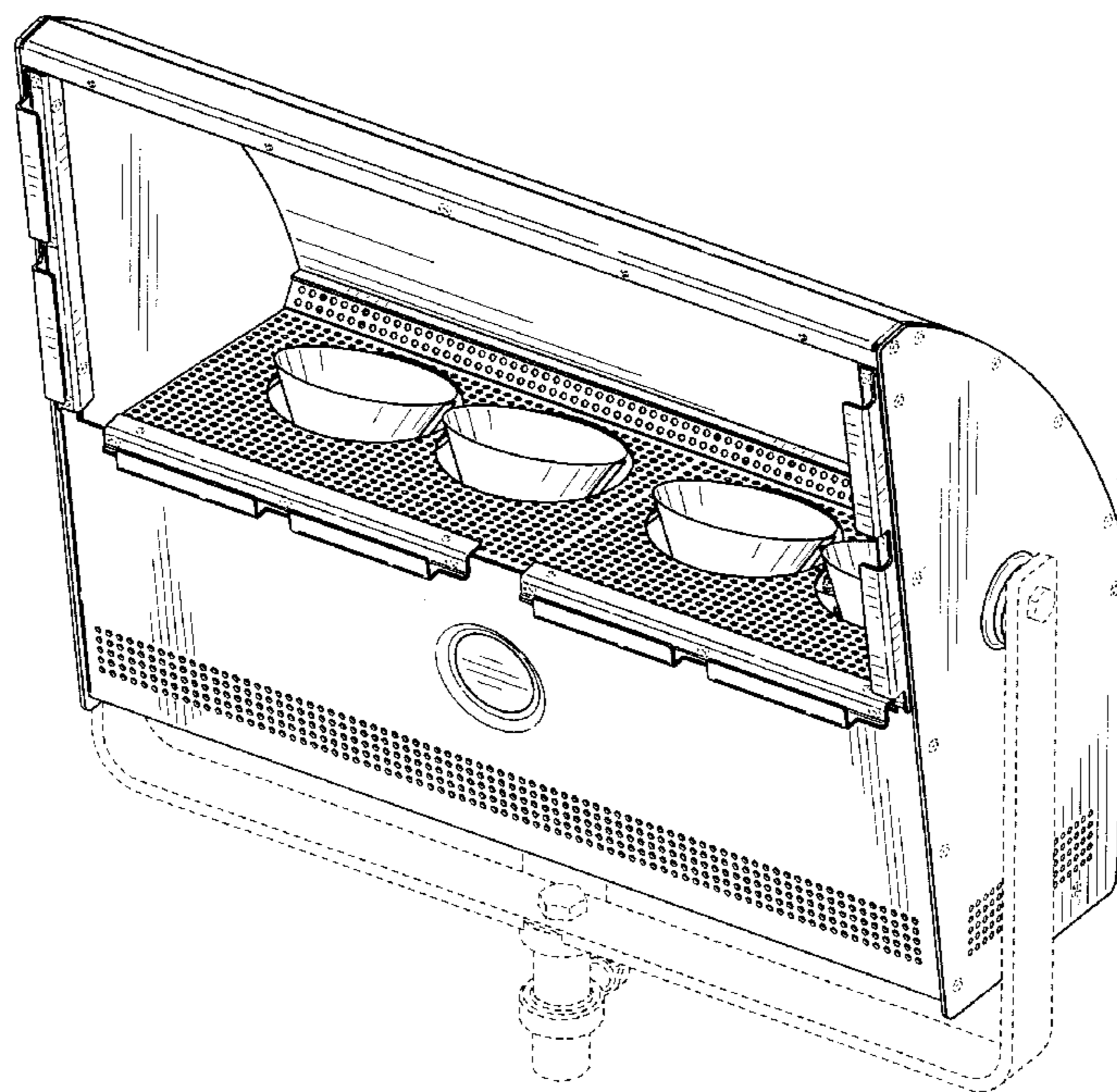
Primary Examiner — Brian N Vinson
(74) *Attorney, Agent, or Firm* — Sheppard, Mullin, Richter & Hampton LLP

(57) **CLAIM**
We claim the ornamental design for an LED soft light, as shown and described.

DESCRIPTION

FIG. 1 is a perspective view of the LED soft light showing the new design;
FIG. 2 is a front elevational view thereof;
FIG. 3 is a rear elevational view thereof;
FIG. 4 is a left side elevational view thereof;
FIG. 5 is a right side elevational view thereof;
FIG. 6 is a top plan view thereof; and,
FIG. 7 is a bottom plan view thereof.
The broken lines shown represent unclaimed subject matter and form no part of the claimed design.

1 Claim, 7 Drawing Sheets



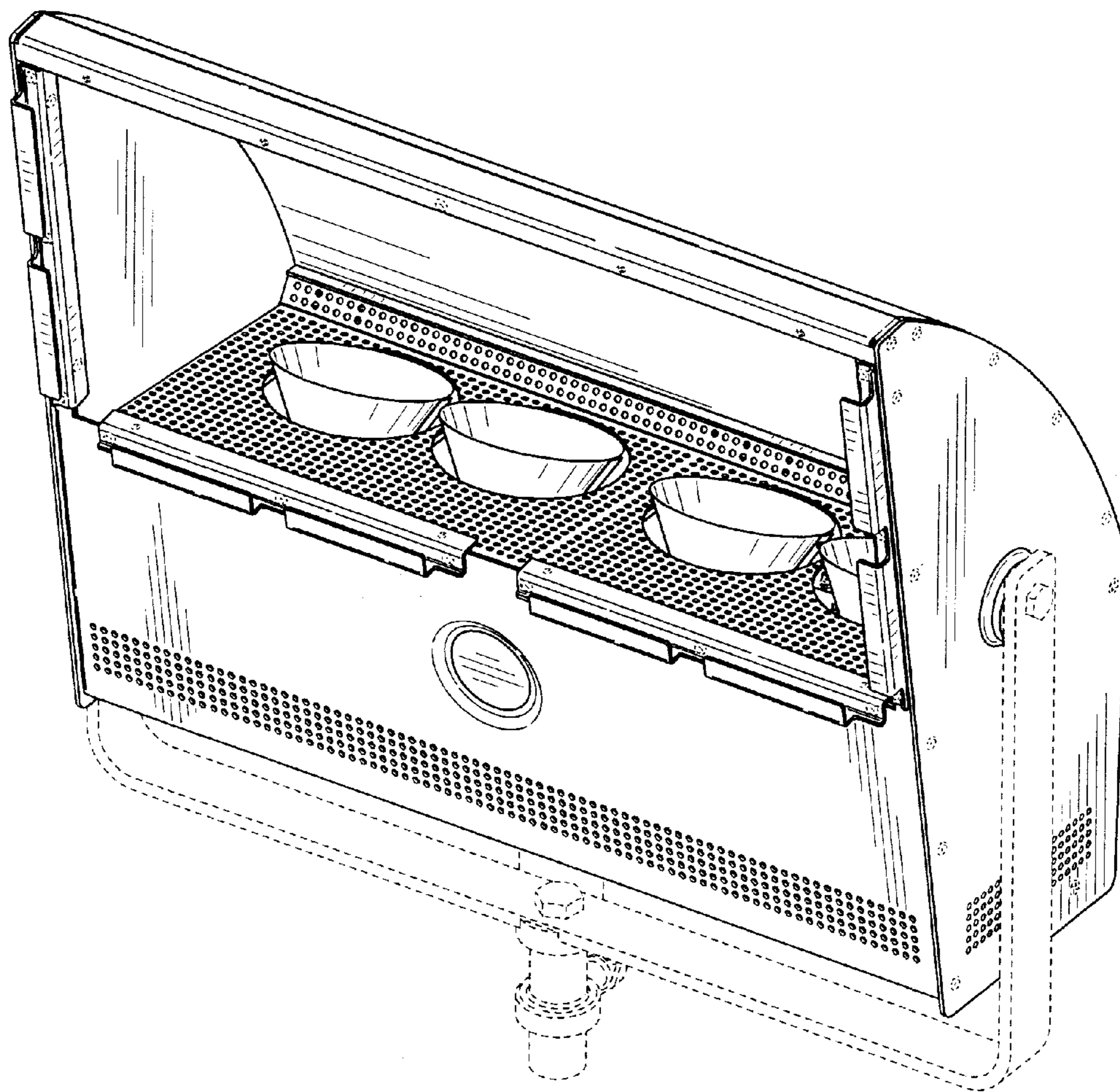


FIG. 1

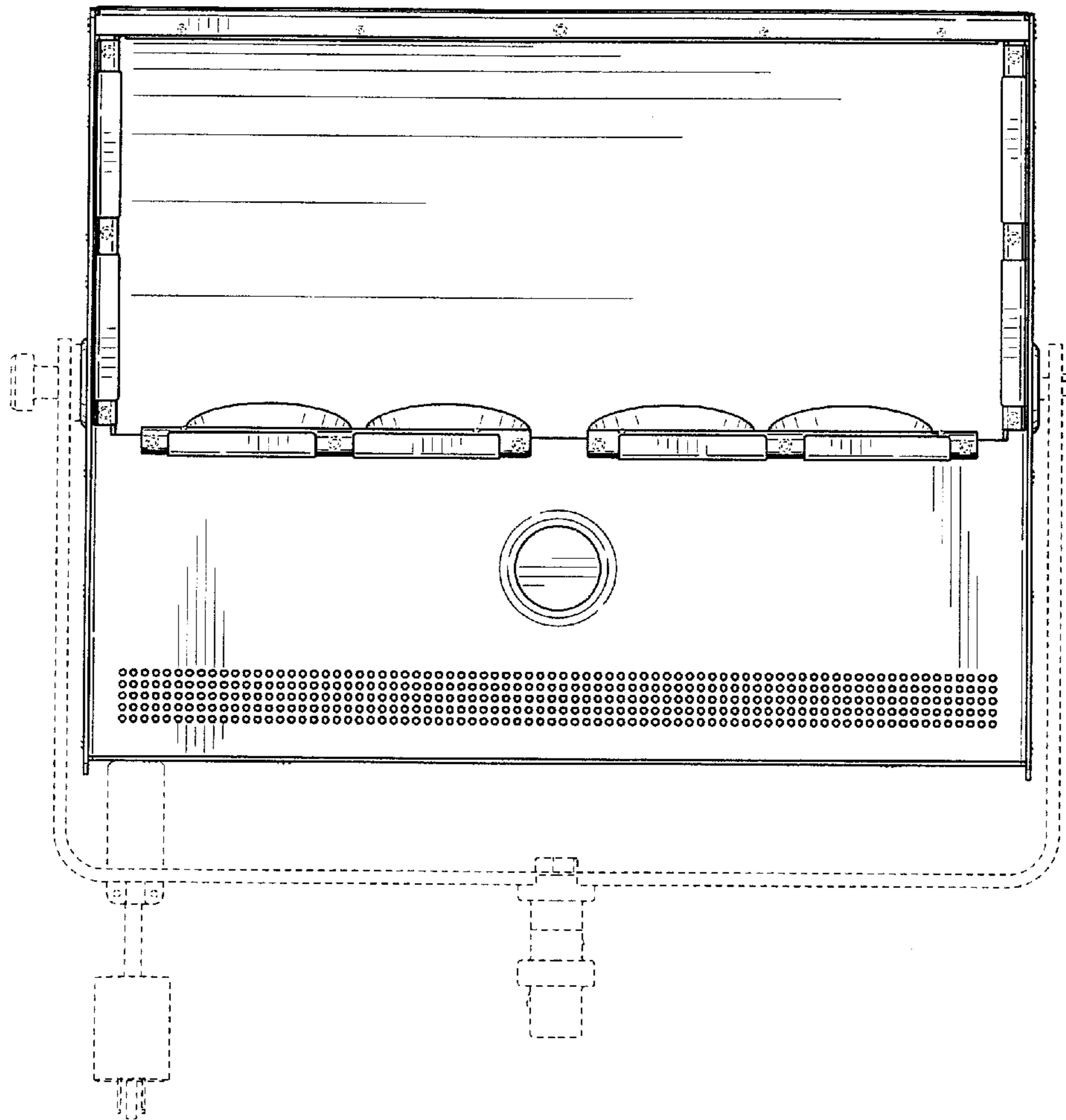


FIG. 2

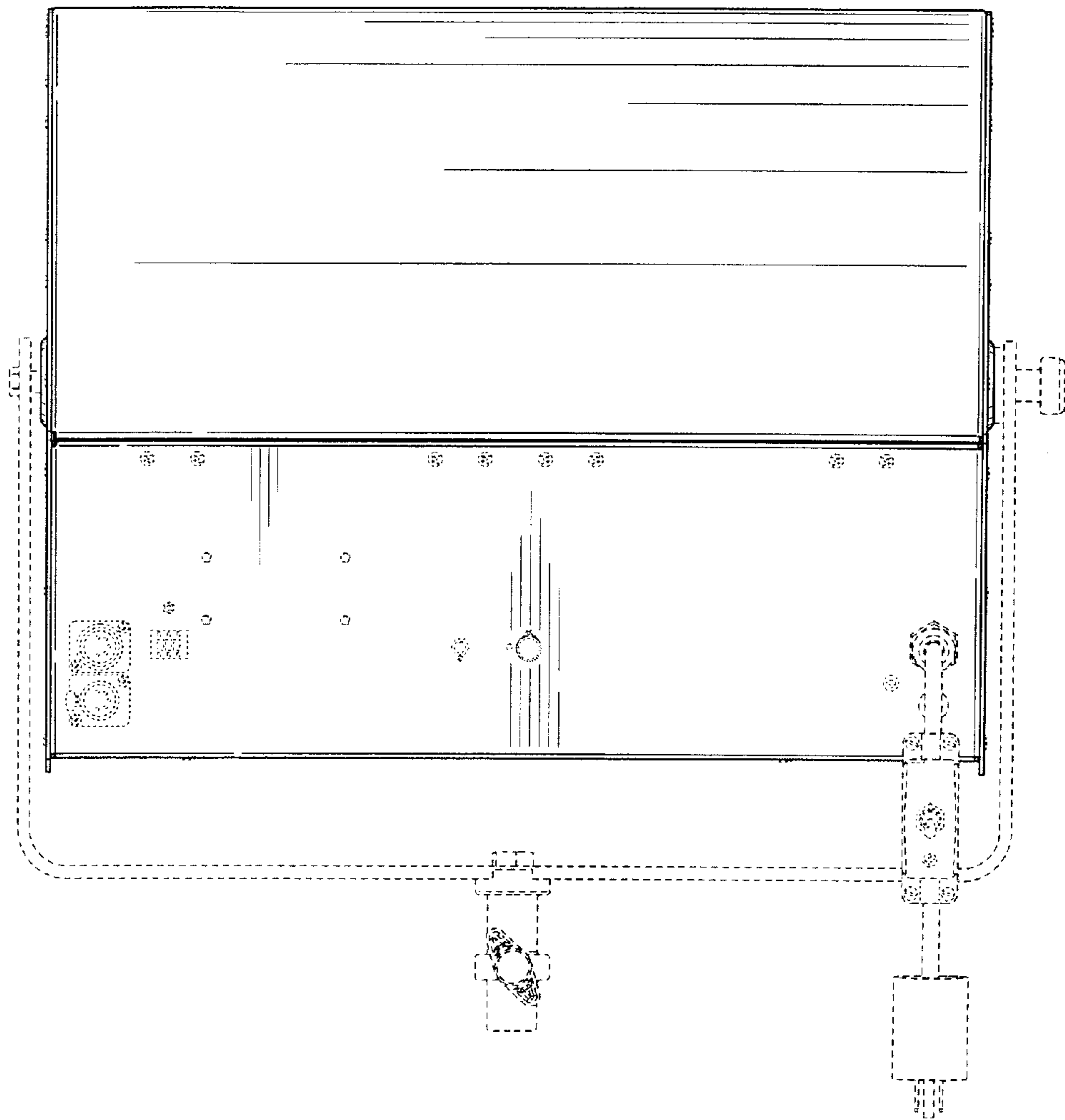


FIG. 3

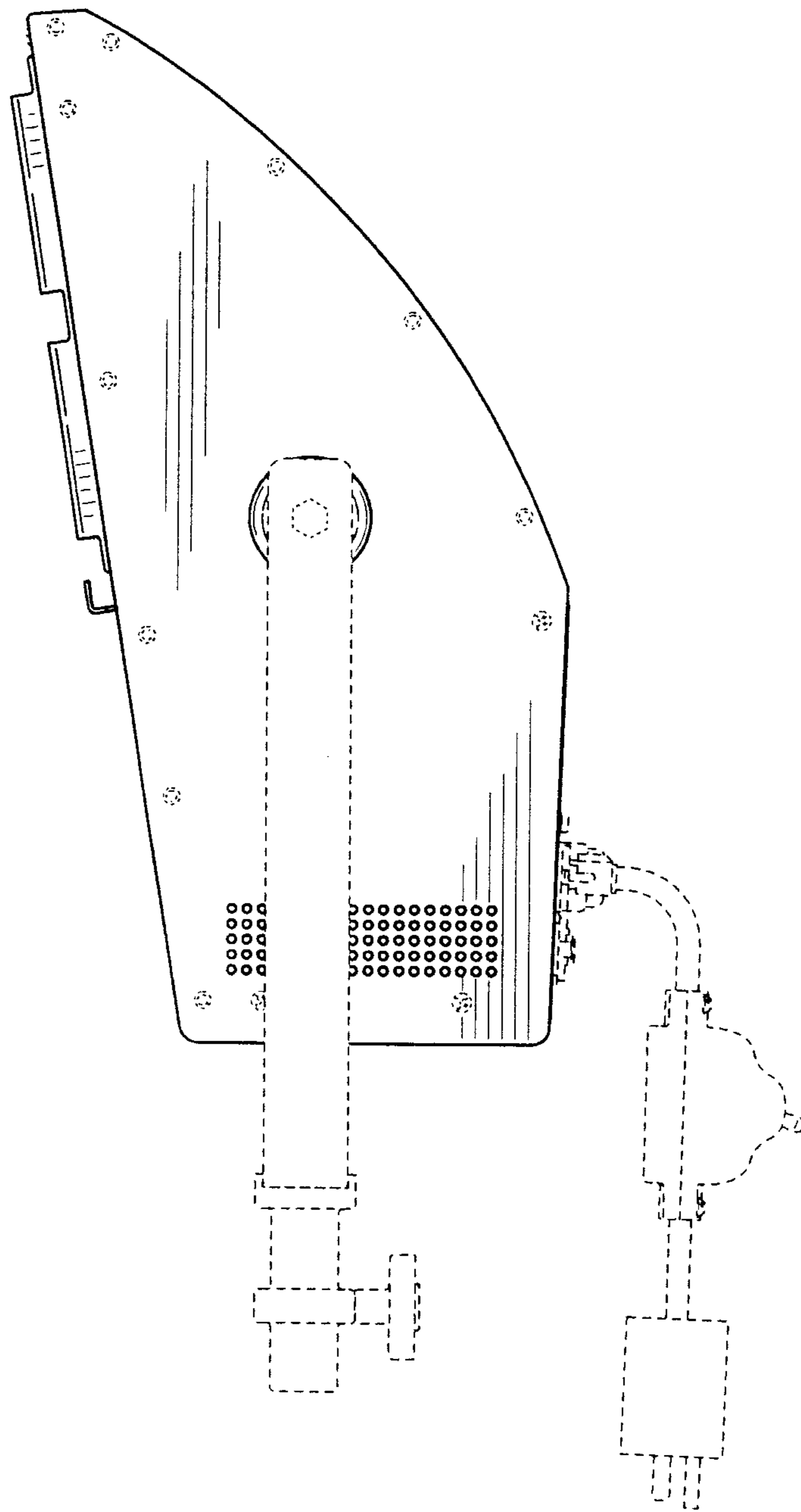


FIG. 4

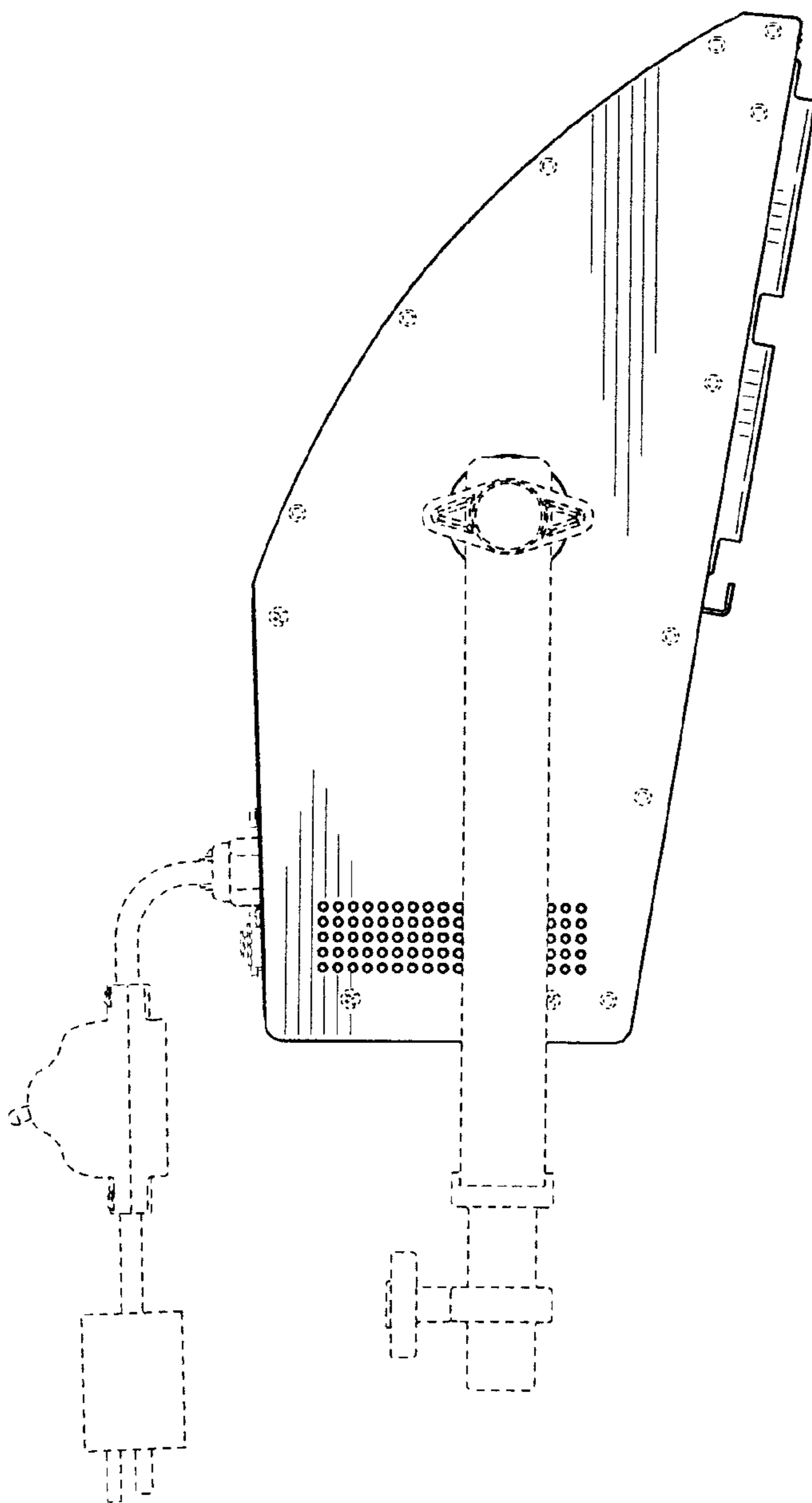


FIG. 5

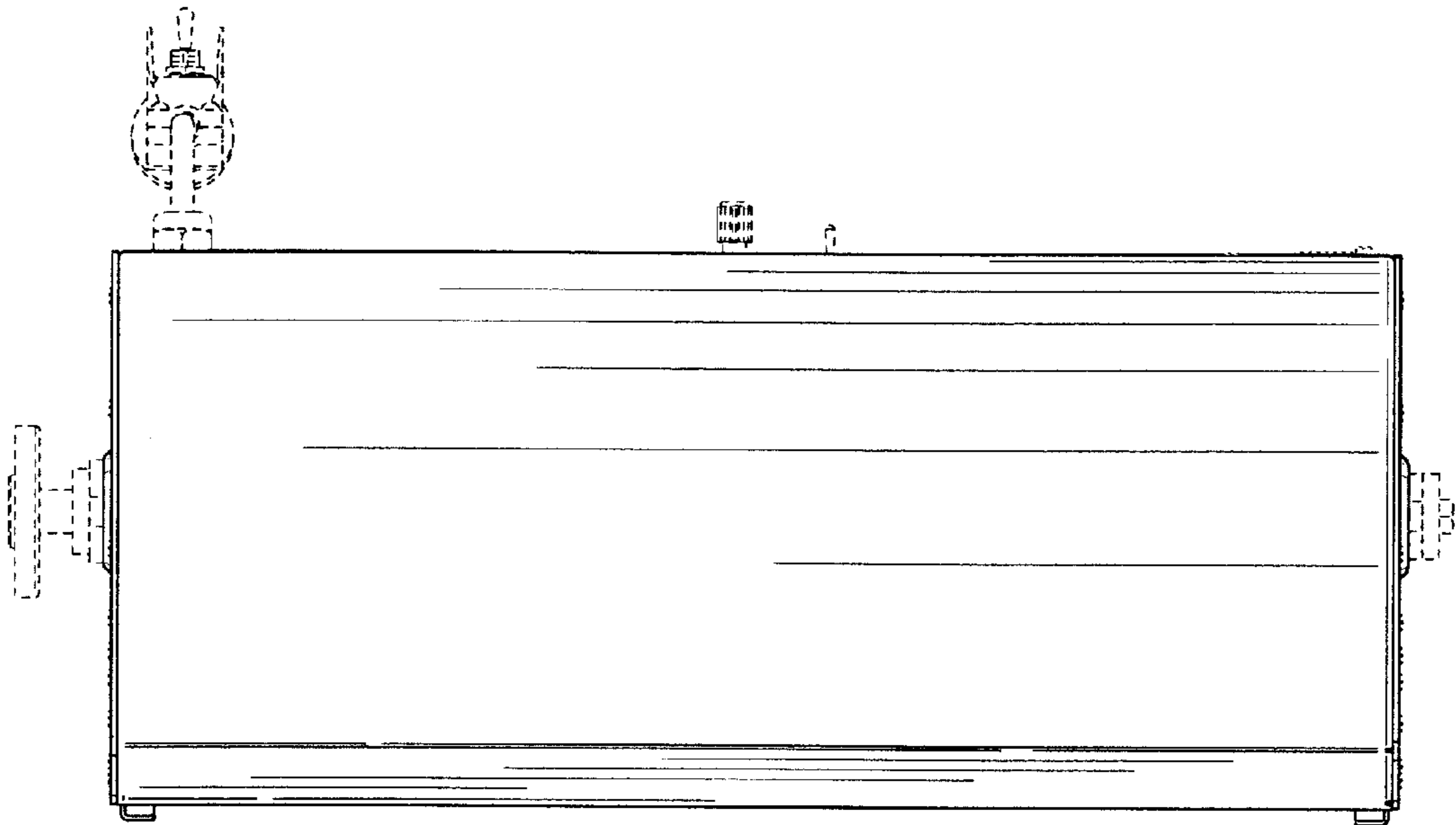


FIG. 6

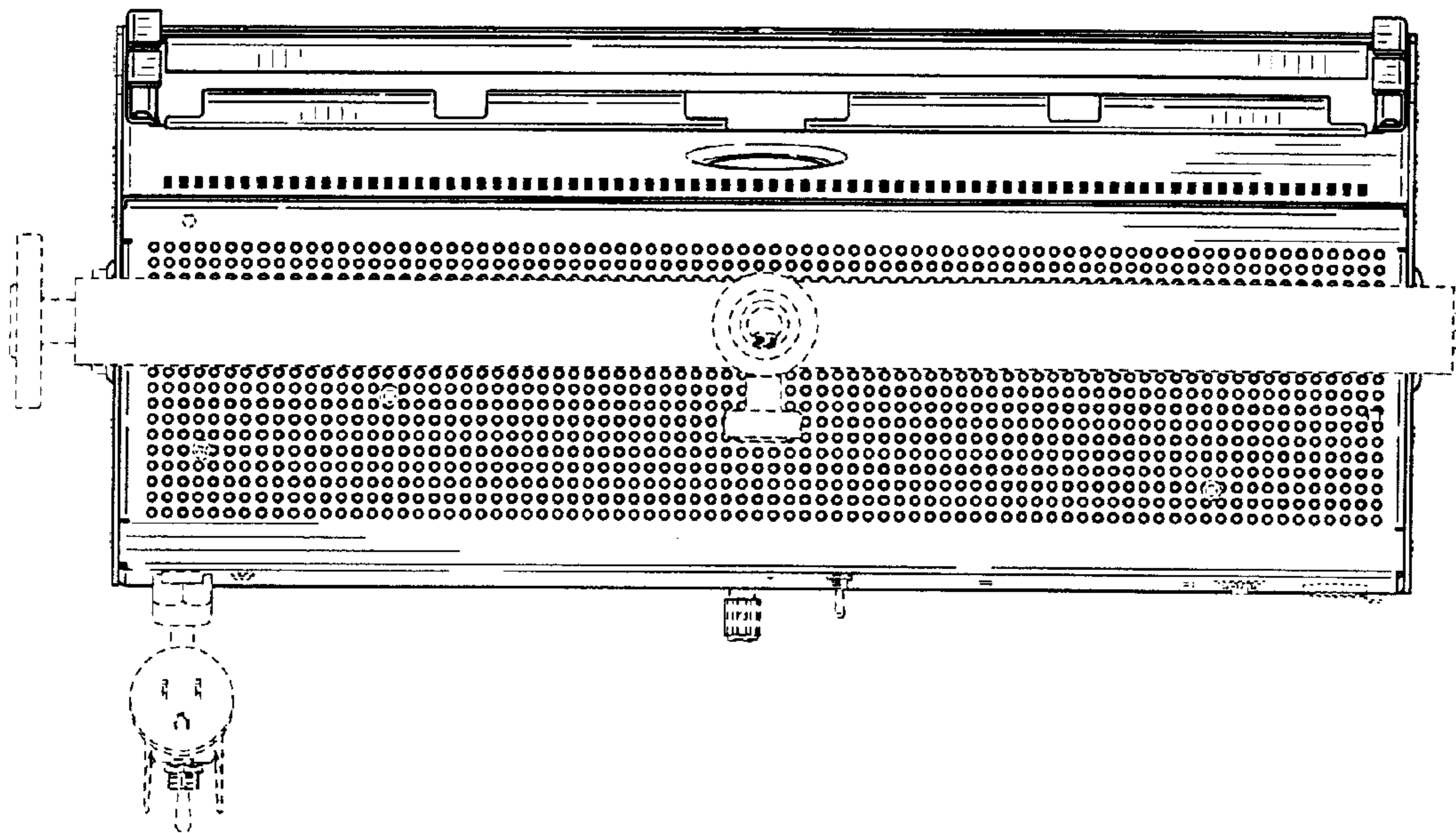


FIG. 7