



US00D757975S

(12) **United States Design Patent**
Lo Chun Tung

(10) **Patent No.:** **US D757,975 S**
(45) **Date of Patent:** **** May 31, 2016**

(54) **LED WALL WASHER**

(71) Applicant: **Daniel Lo Chun Tung**, Hong Kong (CN)

(72) Inventor: **Daniel Lo Chun Tung**, Hong Kong (CN)

(**) Term: **14 Years**

(21) Appl. No.: **29/457,826**

(22) Filed: **Jun. 13, 2013**

(30) **Foreign Application Priority Data**

Dec. 14, 2012 (CN) 2012 3 0629084

(51) **LOC (10) Cl.** **26-03**

(52) **U.S. Cl.**
USPC **D26/63**

(58) **Field of Classification Search**

USPC D26/1, 24, 61, 63, 65, 85, 92
CPC F21V 21/14; F21V 15/01; F21V 14/02;
F21V 21/30; F21V 21/00; F21V 14/00;
F21S 8/00; F21S 8/003; F21S 8/043; F21Y
2105/001

See application file for complete search history.

(56) **References Cited**

U.S. PATENT DOCUMENTS

D625,870 S * 10/2010 Feigenbaum D26/63
D654,607 S * 2/2012 Kim et al. D26/63

D707,379 S * 6/2014 Reinoso D26/63

* cited by examiner

Primary Examiner — Brian N Vinson

(74) *Attorney, Agent, or Firm* — Tarolli, Sundheim, Covell & Tummino LLP

(57) **CLAIM**

The ornamental design for an LED wall washer, as shown and described.

DESCRIPTION

FIG. 1 is a top perspective view of an LED wall washer showing my new design;

FIG. 2 is a bottom perspective view thereof;

FIG. 3 is a front elevational view thereof;

FIG. 4 is a rear elevational view thereof;

FIG. 5 is a top plan view thereof;

FIG. 6 is a bottom plan view thereof;

FIG. 7 is an enlarged end elevational view thereof;

FIG. 8 is an enlarged opposite end elevational view thereof;

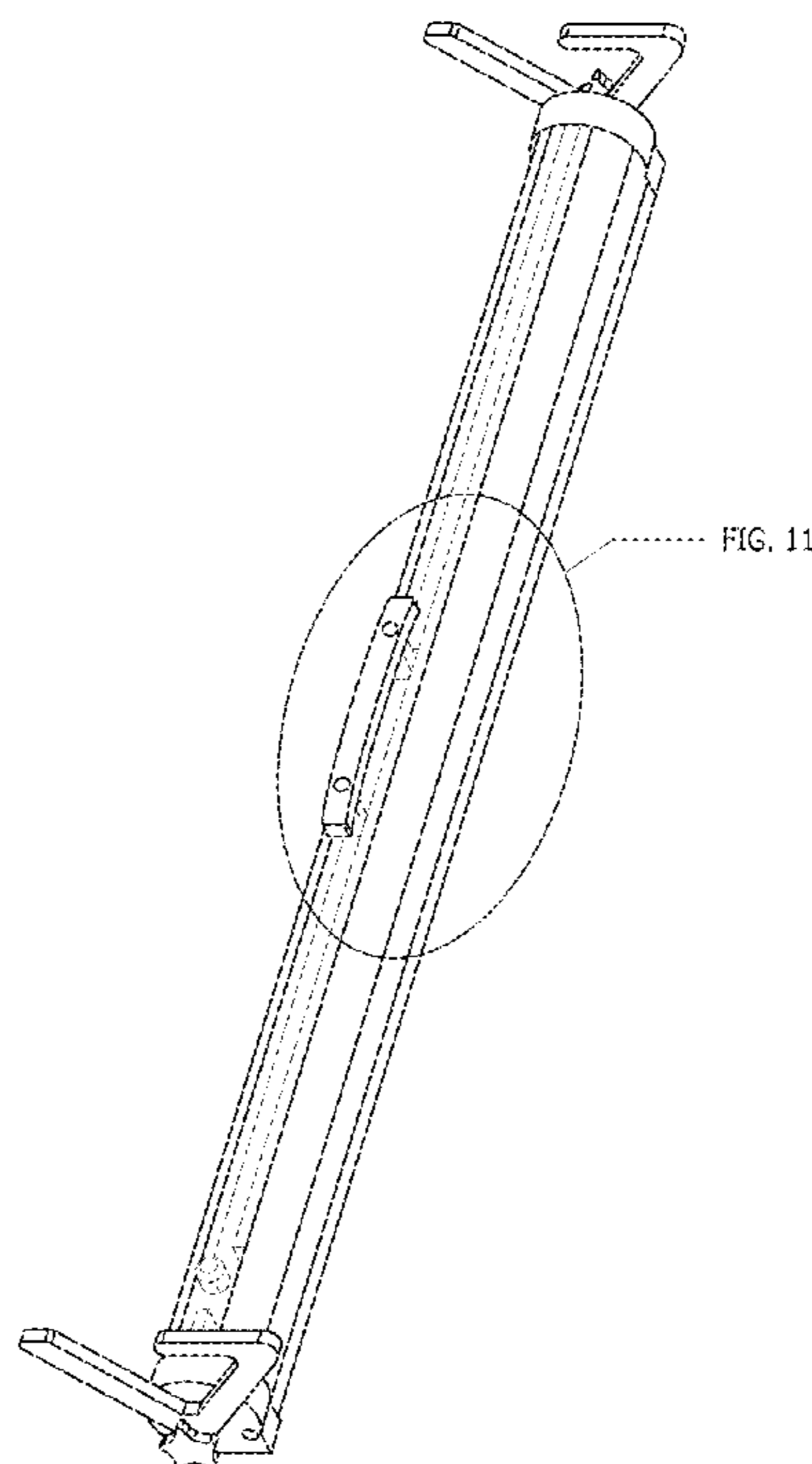
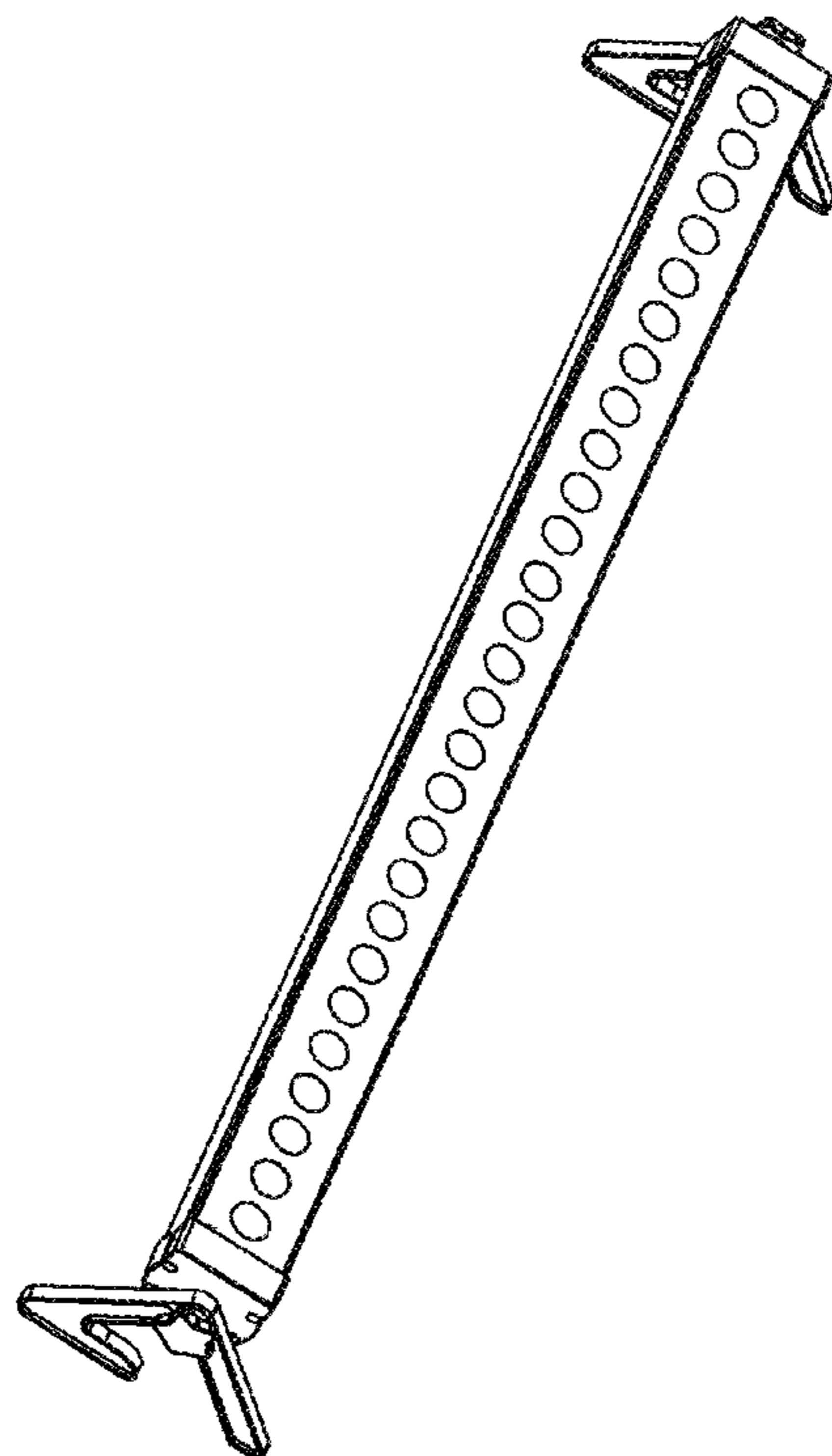
FIG. 9 is an additional front elevational view thereof;

FIG. 10 is an additional end elevational view thereof; and,

FIG. 11 is an enlarged fragmentary bottom perspective view thereof, showing the area circumscribed by the line indicated in FIG. 2.

The broken line disclosure in FIGS. 9 and 10 show a wall fragment intended to represent unclaimed environment. The broken lines in FIGS. 2-4, and 6-11 represent portions of the wall washer which form no part of the claimed design. The unclaimed nut portion is shown separated from the unclaimed bolt portion in FIGS. 7-8.

1 Claim, 9 Drawing Sheets



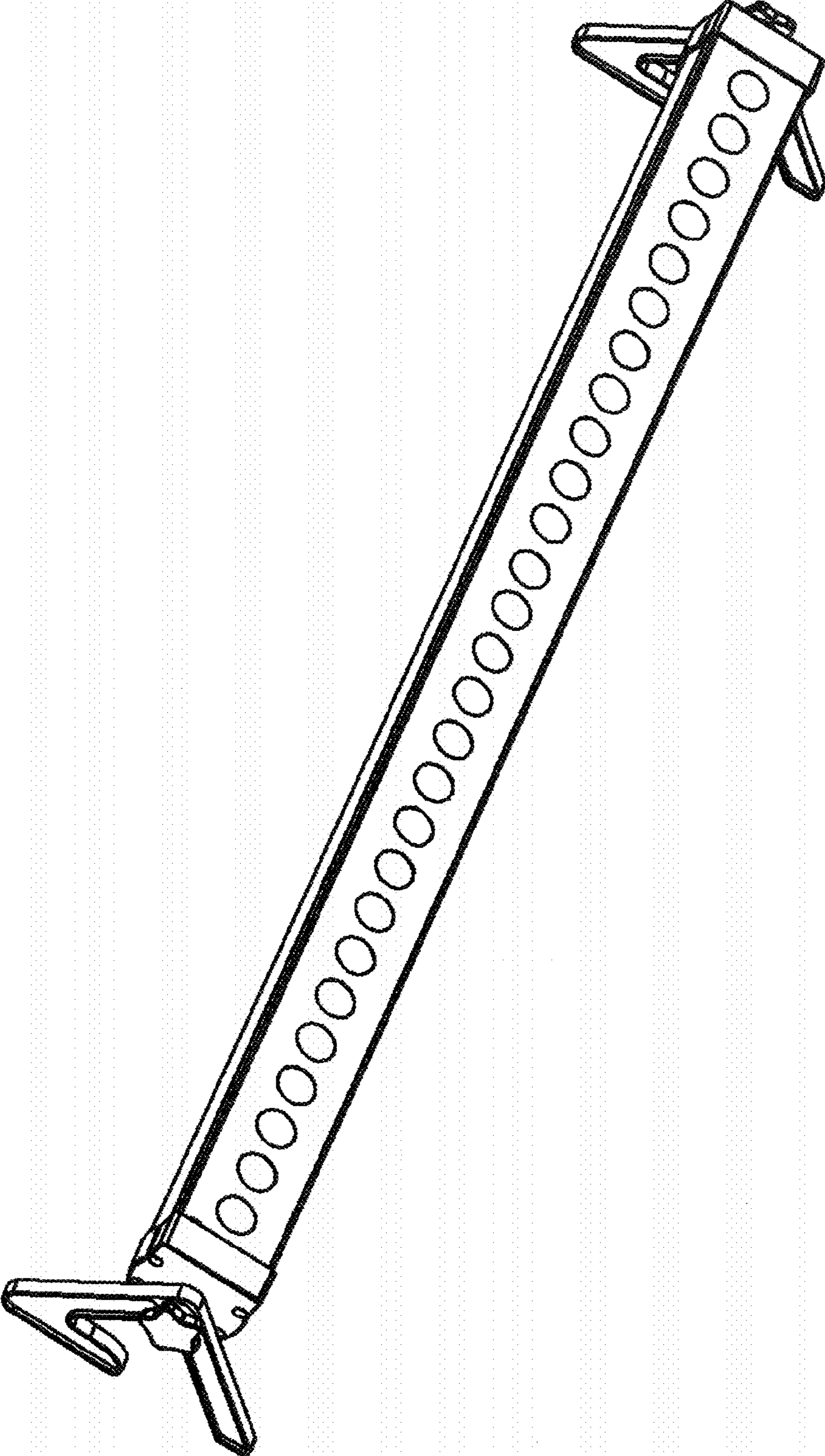


Fig. 1

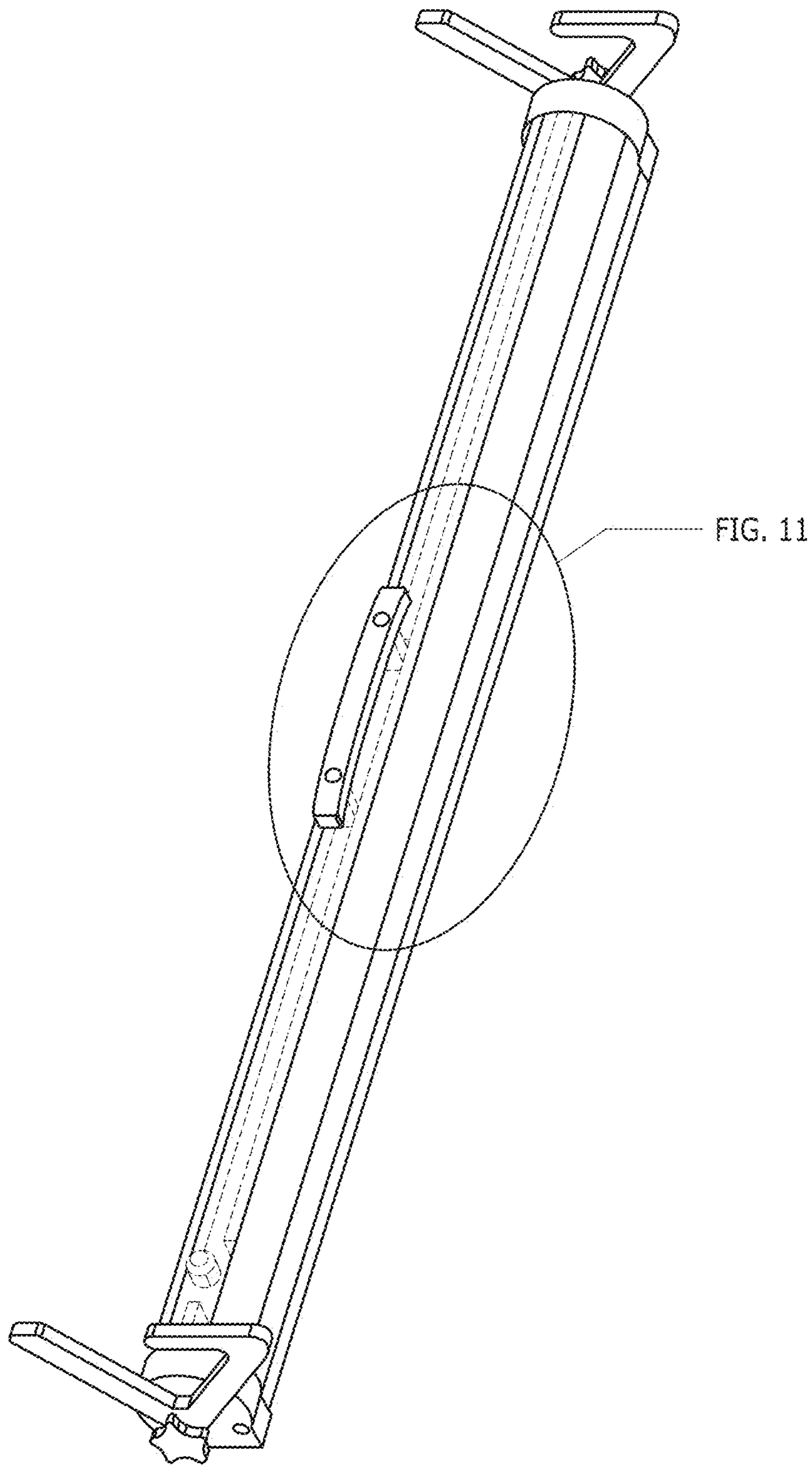


FIG. 2

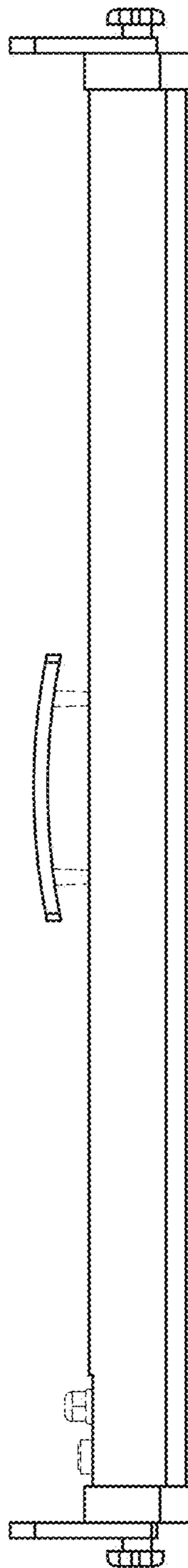


FIG. 3

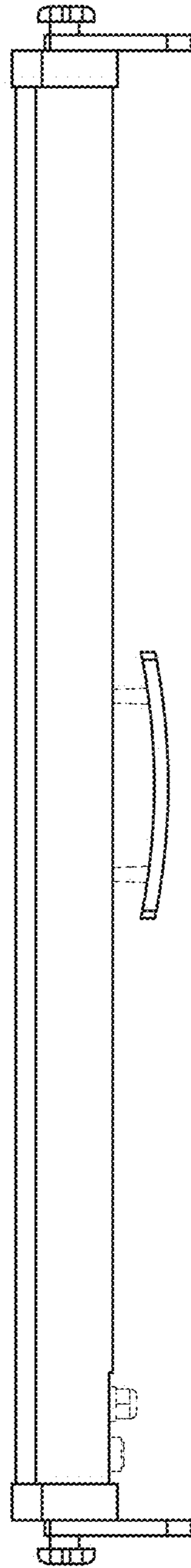


FIG. 4

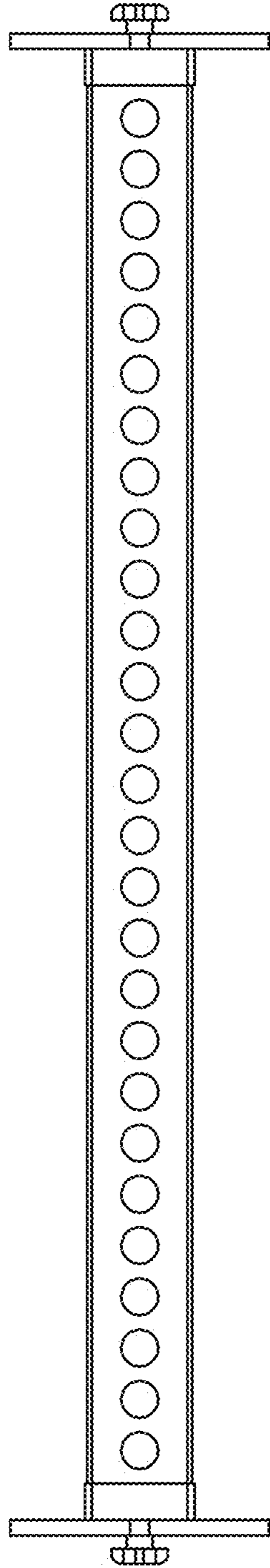


FIG. 5

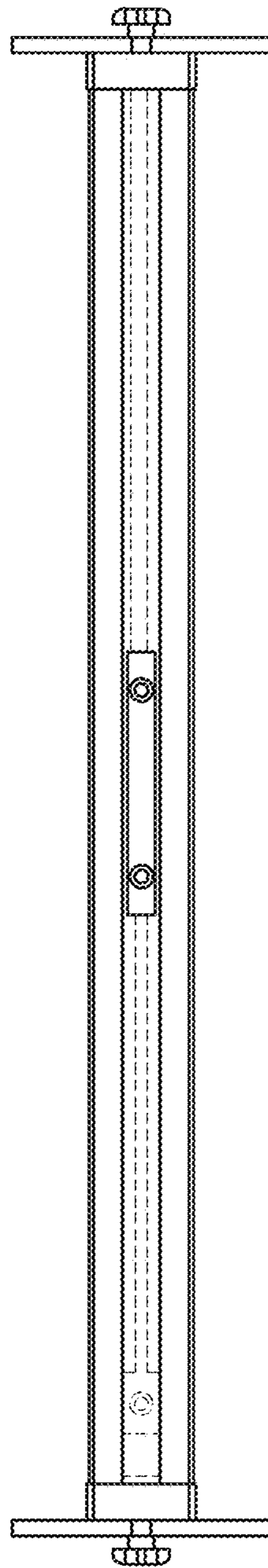


FIG. 6

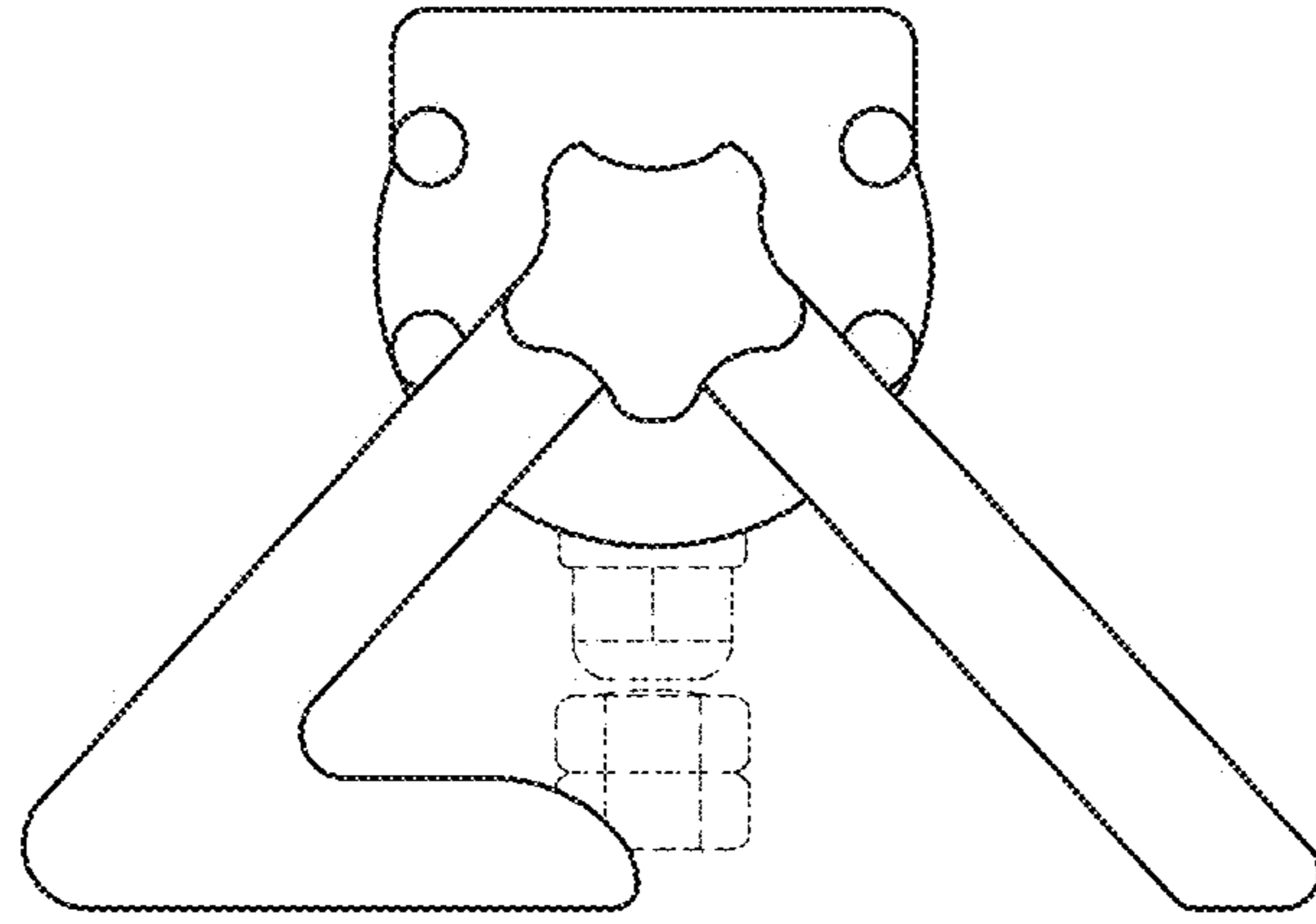


FIG. 7

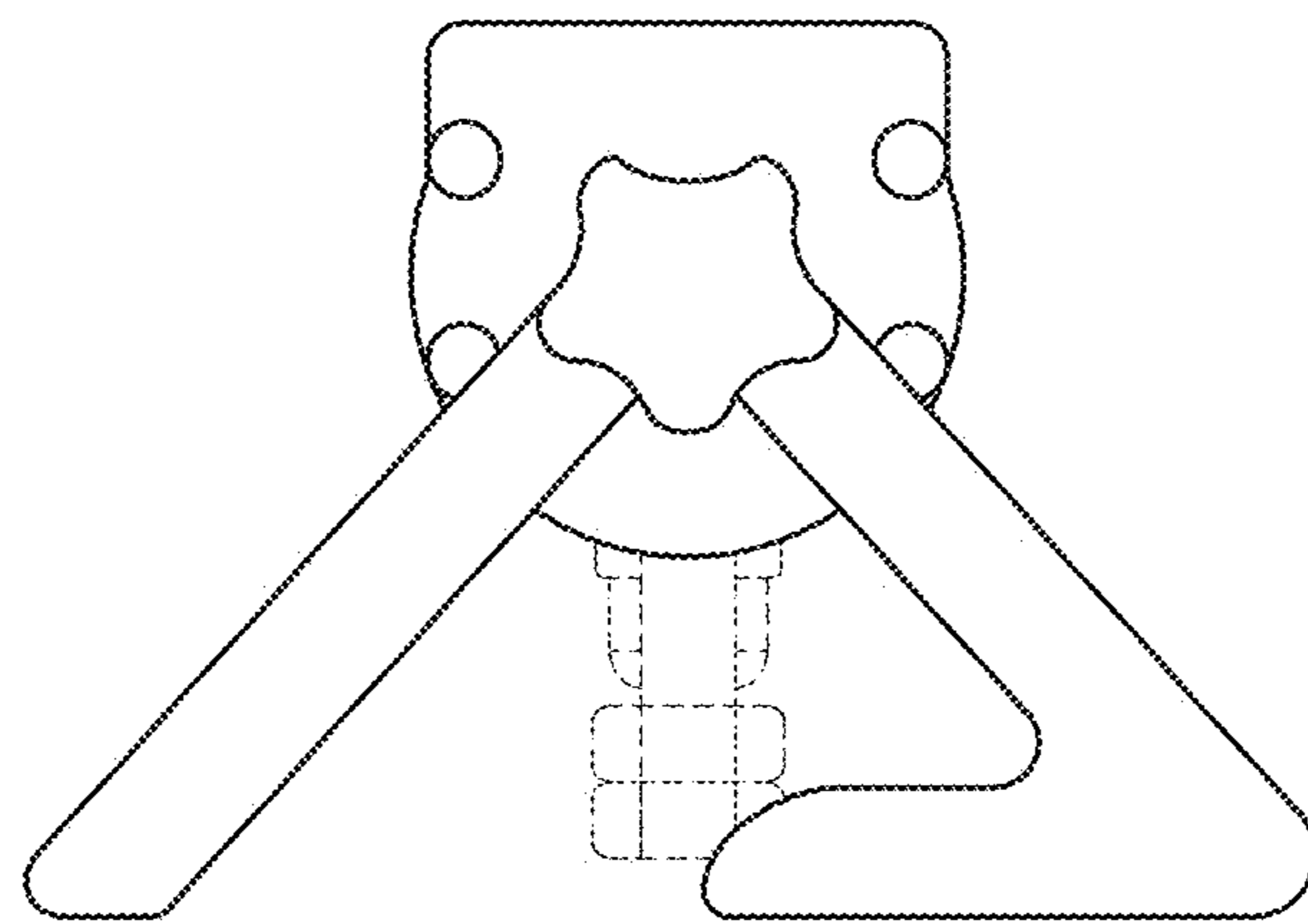


FIG. 8

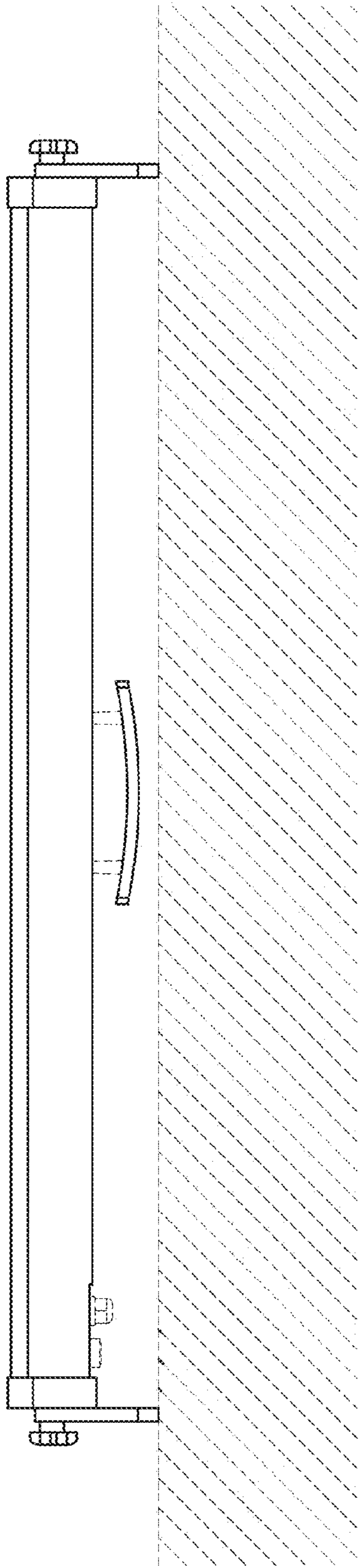


FIG. 9

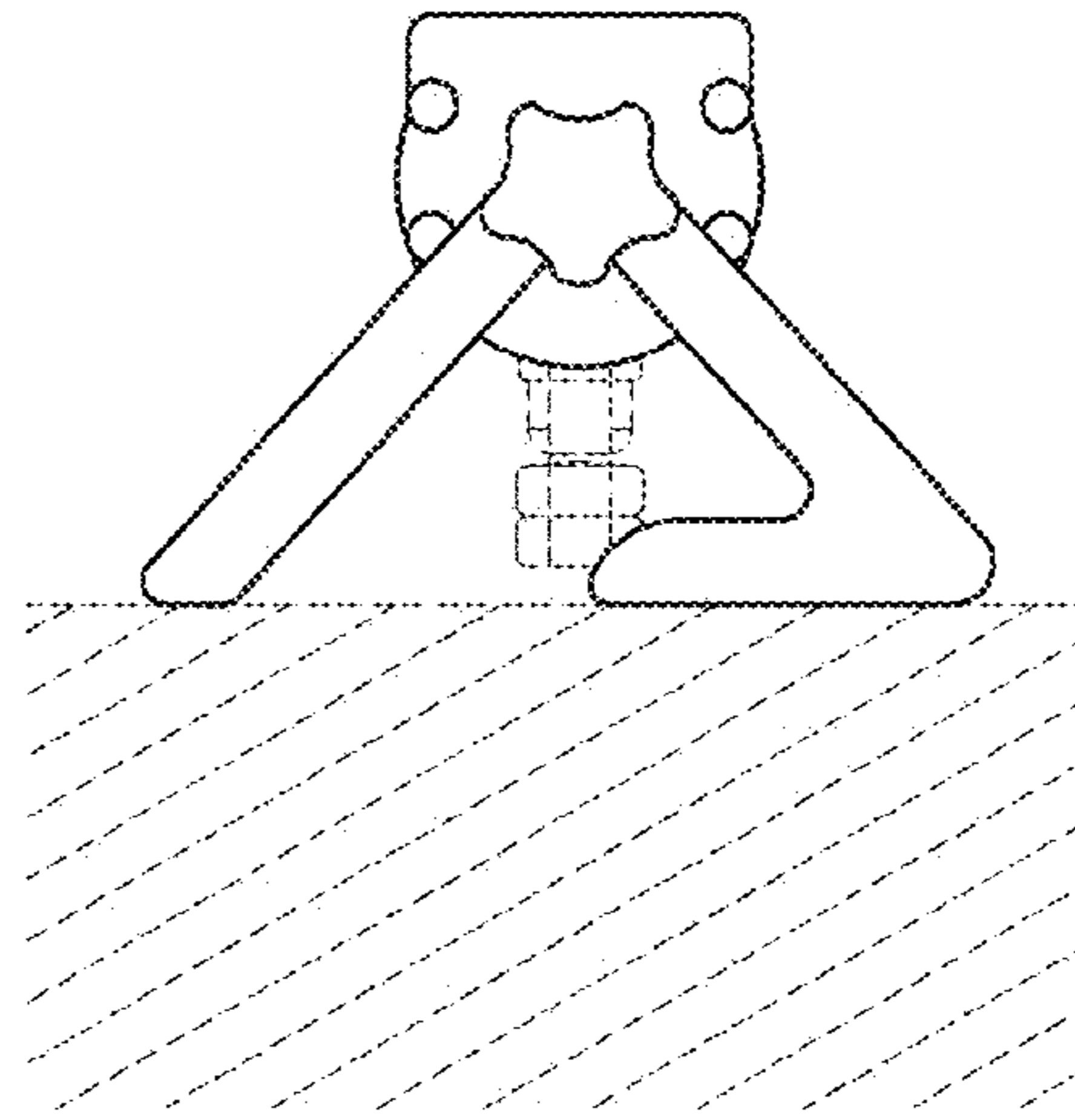


FIG. 10

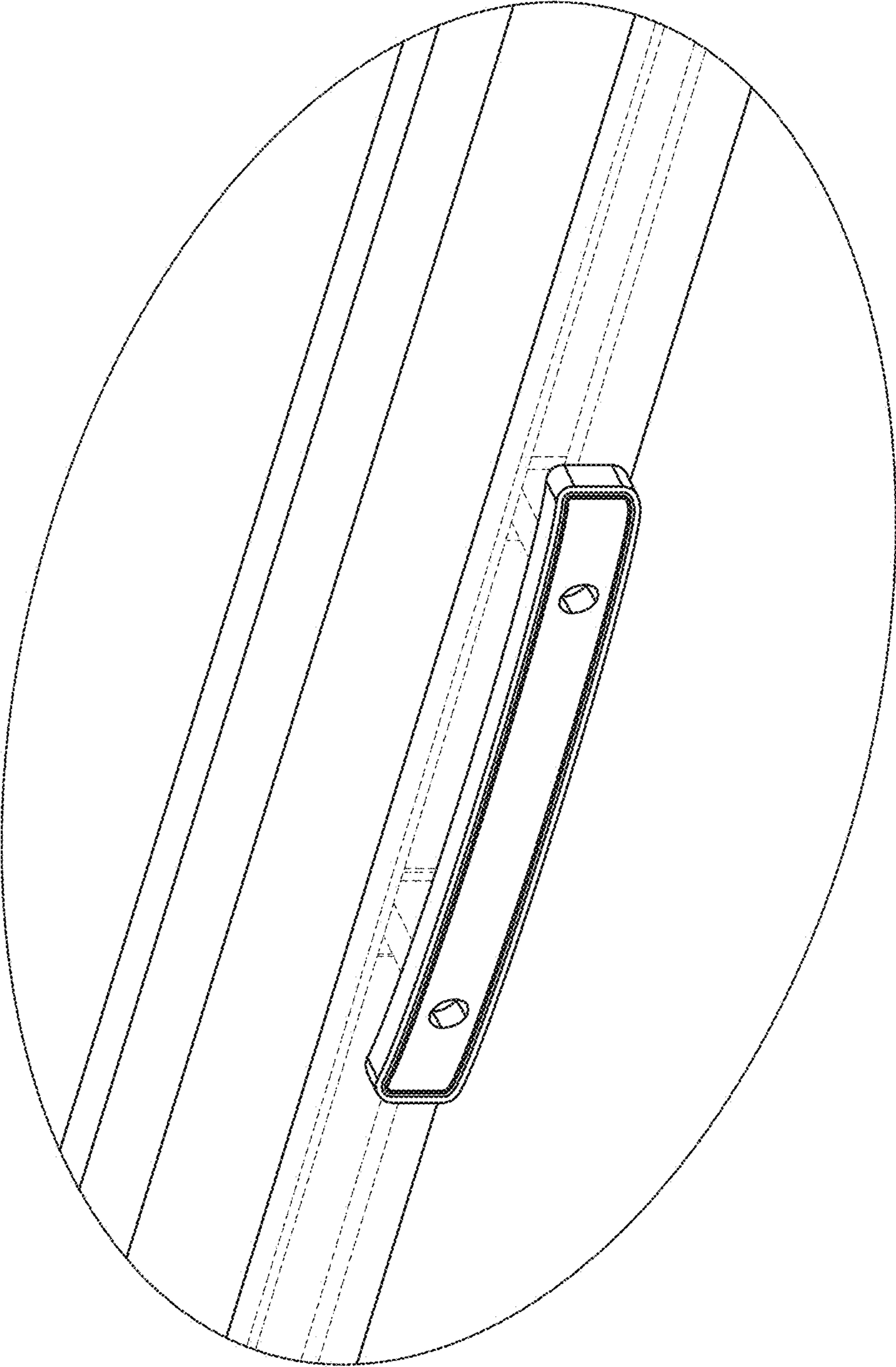


FIG. 11