



US00D757973S

(12) **United States Design Patent**
Zhang

(10) **Patent No.:** **US D757,973 S**
(45) **Date of Patent:** **** May 31, 2016**

(54) **WORK LIGHT**

(71) Applicant: **Yuyao Jinfeng Electric Appliance Co.,Ltd.**, Yuyao, Zhejiang (CN)

(72) Inventor: **JiFeng Zhang**, Yuyao (CN)

(73) Assignee: **Yuyao Jinfeng Electric Appliance Co., Ltd.**, Yuyao, Zhejiang (CN)

(**) Term: **14 Years**

(21) Appl. No.: **29/499,730**

(22) Filed: **Aug. 18, 2014**

(51) **LOC (10) Cl.** **26-02**

(52) **U.S. Cl.**
USPC **D26/44**

(58) **Field of Classification Search**

USPC D26/37-51, 56-60, 67; 362/103-105,
362/184, 194-196, 202-206; D22/117
CPC F21L 4/00; F21L 4/005; F21L 4/022;
F21L 4/025; F21L 4/027; F21L 7/00; F21L
19/00; F21V 1/084; F21V 1/0085; F21W
2111/10

See application file for complete search history.

(56) **References Cited**

U.S. PATENT DOCUMENTS

D505,217 S * 5/2005 Bayat D26/42
D543,301 S * 5/2007 Chen D26/42

(Continued)

Primary Examiner — Sandra Morris

(74) *Attorney, Agent, or Firm* — Raymond Y. Chan; David and Raymond Patent Firm

(57) **CLAIM**

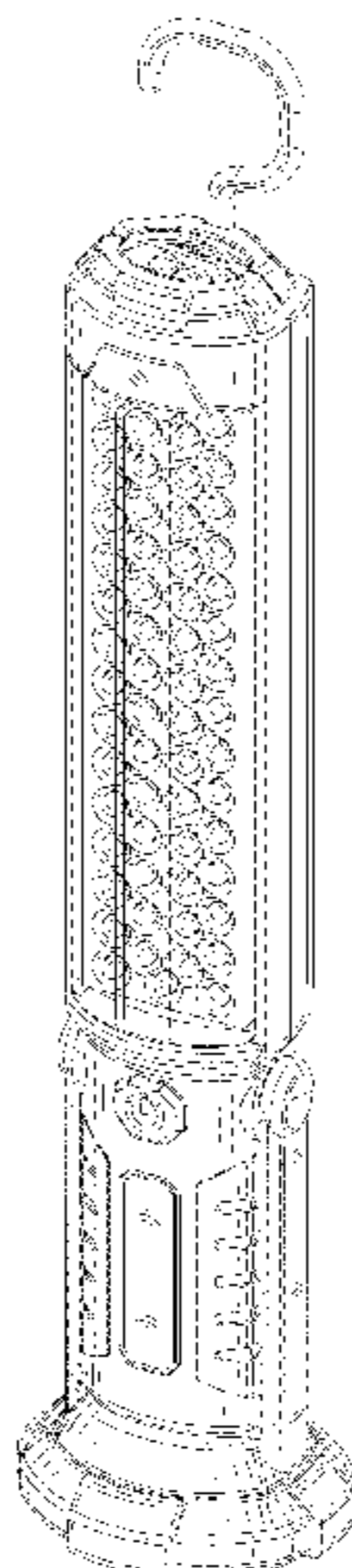
The ornamental design for a work light, as shown and described.

DESCRIPTION

FIG. 1 is a front view of a work light showing my new design.
FIG. 2 is a rear view of the work light.

FIG. 3 is a left view of the work light.
FIG. 4 is a right view of the work light.
FIG. 5 is a top view of the work light.
FIG. 6 is a bottom view of the work light.
FIG. 7 is a perspective view of the work light.
FIG. 8 is a perspective view of the work light, illustrating a light body rotatably coupled with a light base.
FIG. 9 is a perspective view of the work light, illustrating a hanger of the light body at an upward unfolded position.
FIG. 10 is a front view of the work light, illustrating the hanger of the light body at an upward unfolded position.
FIG. 11 is a rear view of the work light, illustrating the hanger of the light body at an upward unfolded position.
FIG. 12 is a left view of the work light, illustrating the hanger of the light body at an upward unfolded position.
FIG. 13 is a right view of the work light, illustrating the hanger of the light body at an upward unfolded position.
FIG. 14 is a top view of the work light, illustrating the hanger of the light body at an upward unfolded position.
FIG. 15 is a front view of the light base of the work light, shown separately for ease of illustration.
FIG. 16 is a rear view of the light base of the work light.
FIG. 17 is a left view of the light base of the work light.
FIG. 18 is a right view of the light base of the work light.
FIG. 19 is a top view of the light base of the work light.
FIG. 20 is a bottom view of the light base of the work light.
FIG. 21 is a perspective view of the light base of the work light.
FIG. 22 is a front view of the light body of the work light, shown separately for ease illustration.
FIG. 23 is a rear view of the light body of the work light.
FIG. 24 is a left view of the light body of the work light.
FIG. 25 is a right view of the light body of the work light.
FIG. 26 is a top view of the light body of the work light.
FIG. 27 is a bottom view of the light body of the work light; and,
FIG. 28 is a perspective view of the light body of the work light.
The broken lines are included for the purpose of illustrating a portion of the bottom that forms no part of the claimed design.

1 Claim, 25 Drawing Sheets



(56)

References Cited

U.S. PATENT DOCUMENTS

D556,926 S * 12/2007 Thirouin D26/37
D567,977 S * 4/2008 Jianwei D26/42
D567,978 S * 4/2008 Jianwei D26/42
D620,627 S * 7/2010 Kovacik D26/42
D631,178 S * 1/2011 Kovacik D26/38

D648,054 S * 11/2011 Zhuang D26/37
8,066,402 B2 * 11/2011 Klipstein B60Q 3/065
362/202
D651,731 S * 1/2012 Xu D26/37
D656,646 S * 3/2012 Kawase D26/44
D691,310 S * 10/2013 Zhou D26/37
D698,959 S * 2/2014 Shen D26/46

* cited by examiner

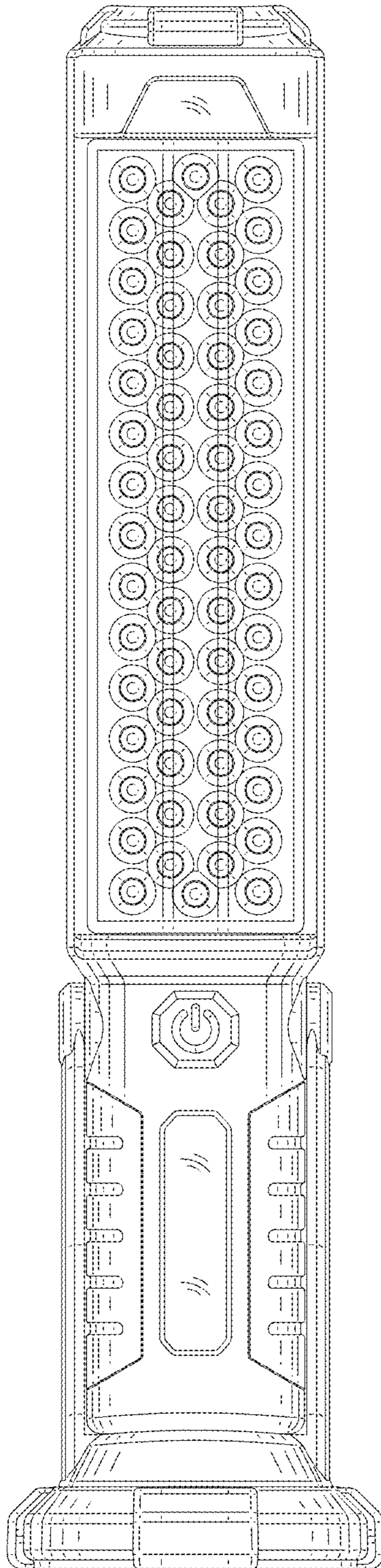


FIG. 1

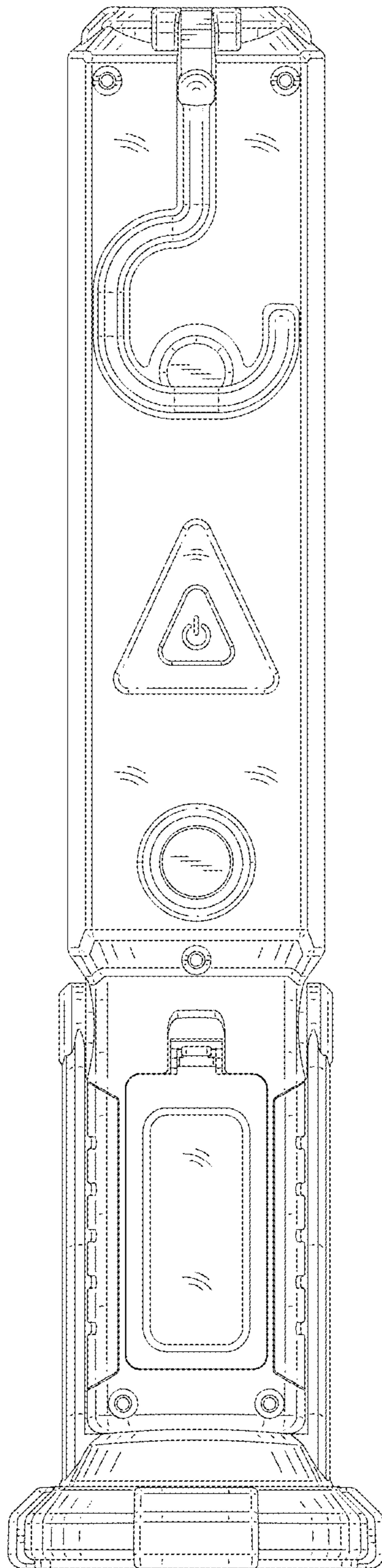


FIG.2

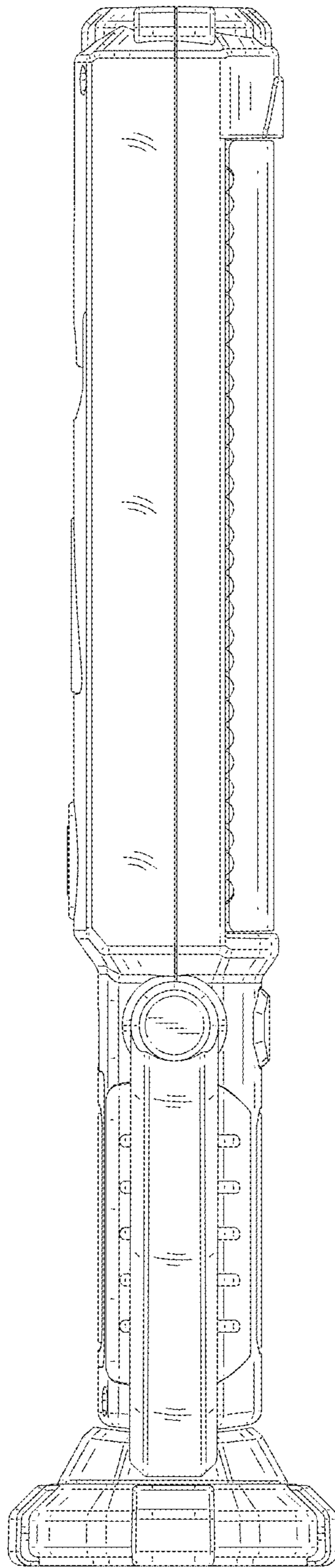


FIG.3

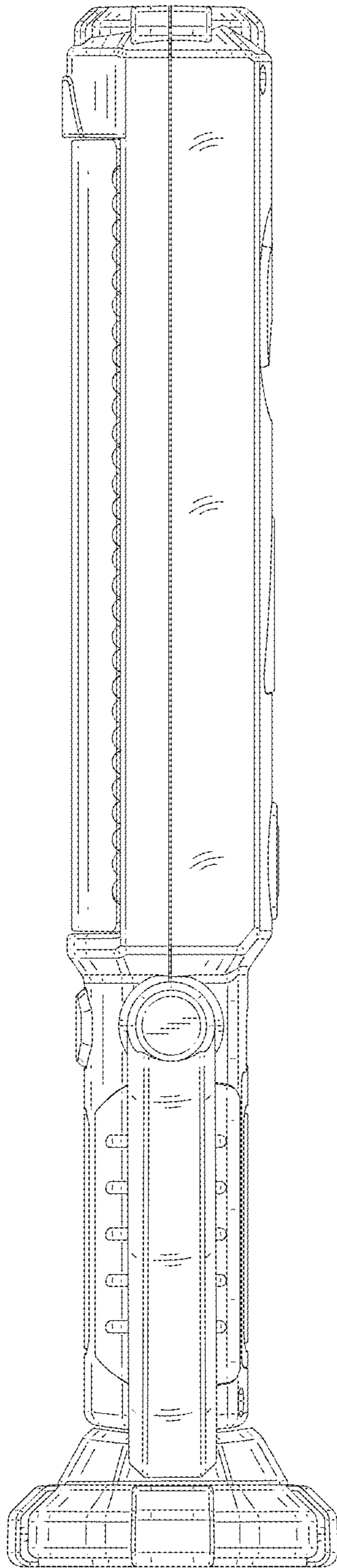


FIG.4

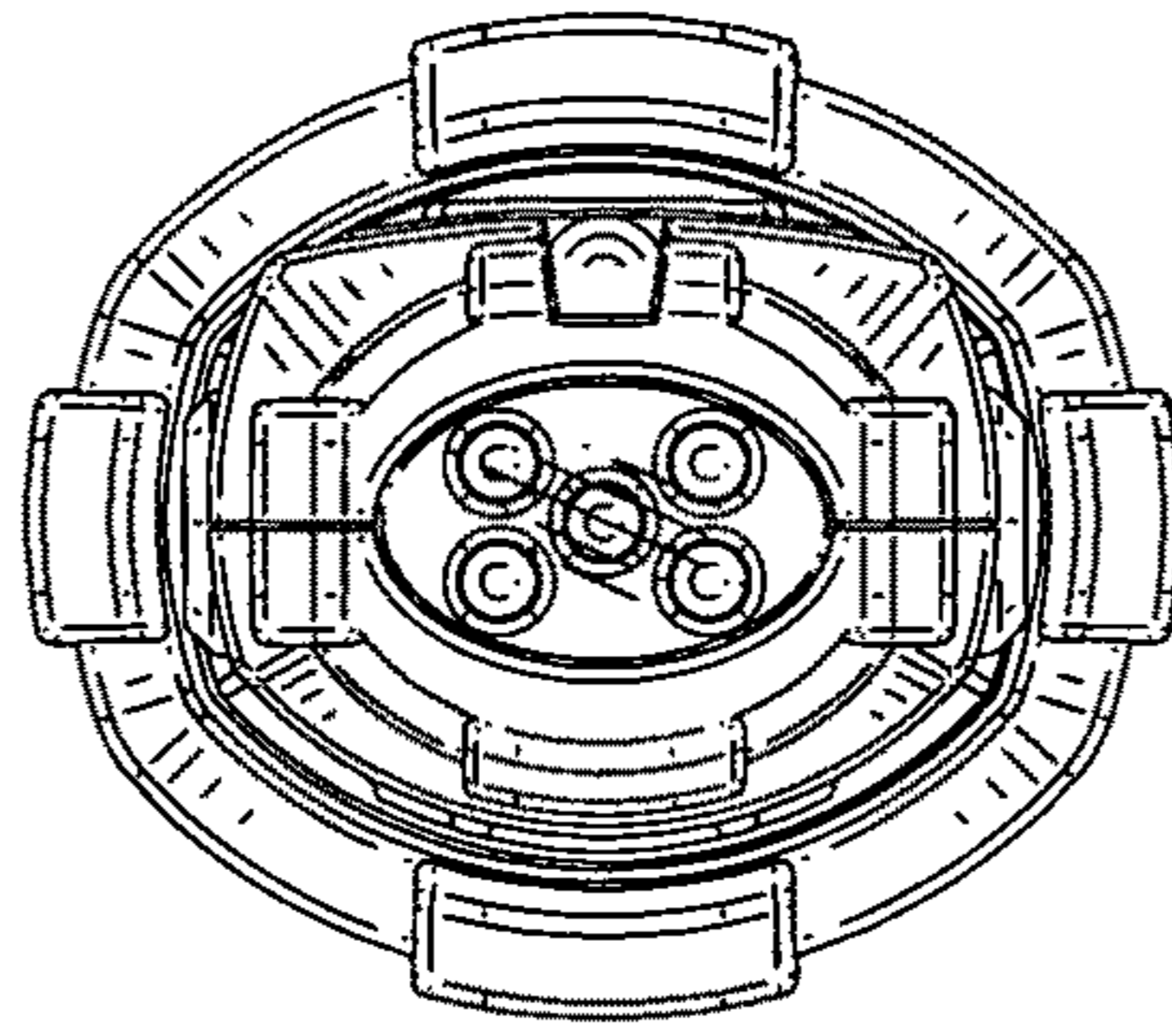


FIG.5

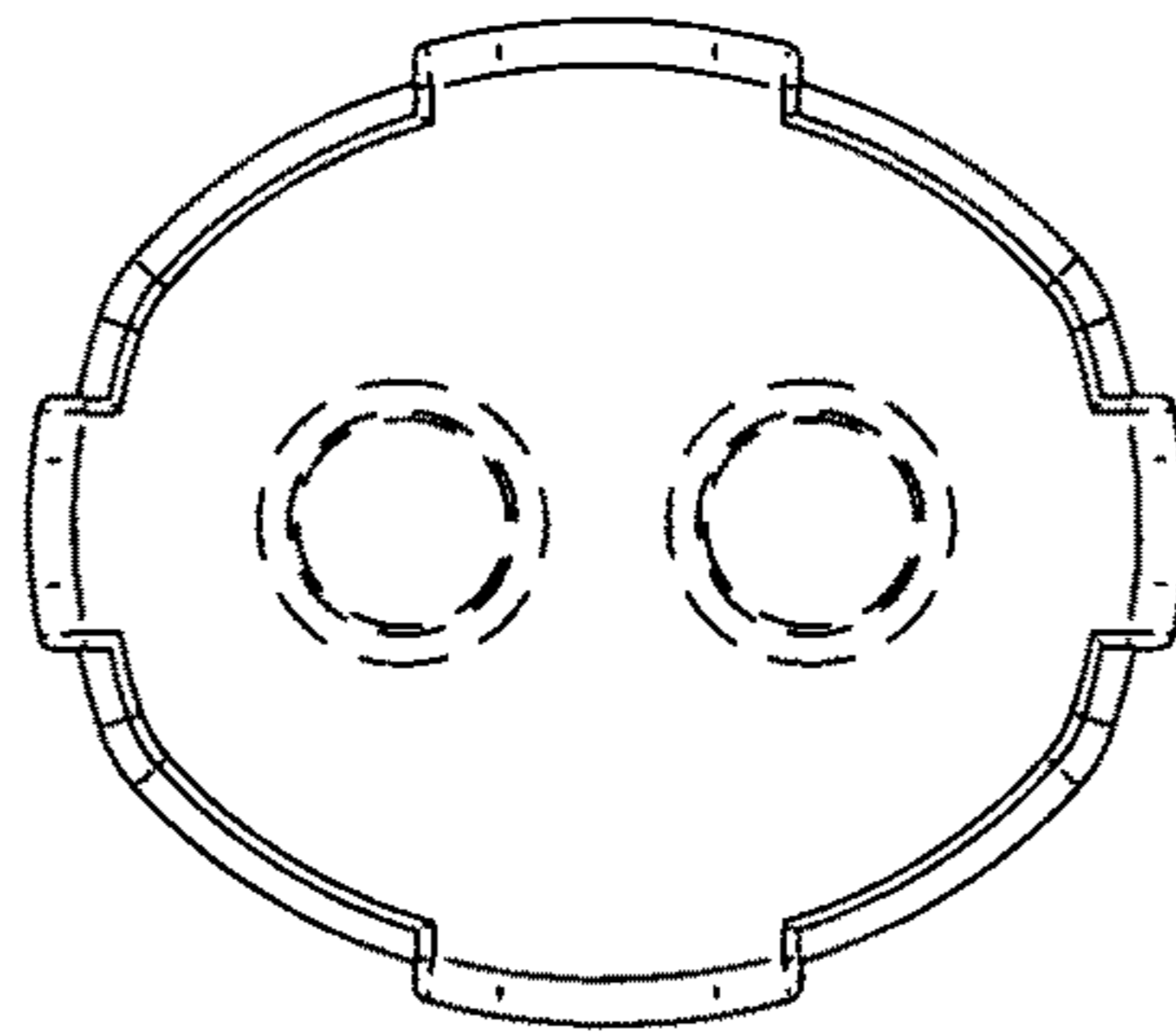


FIG.6

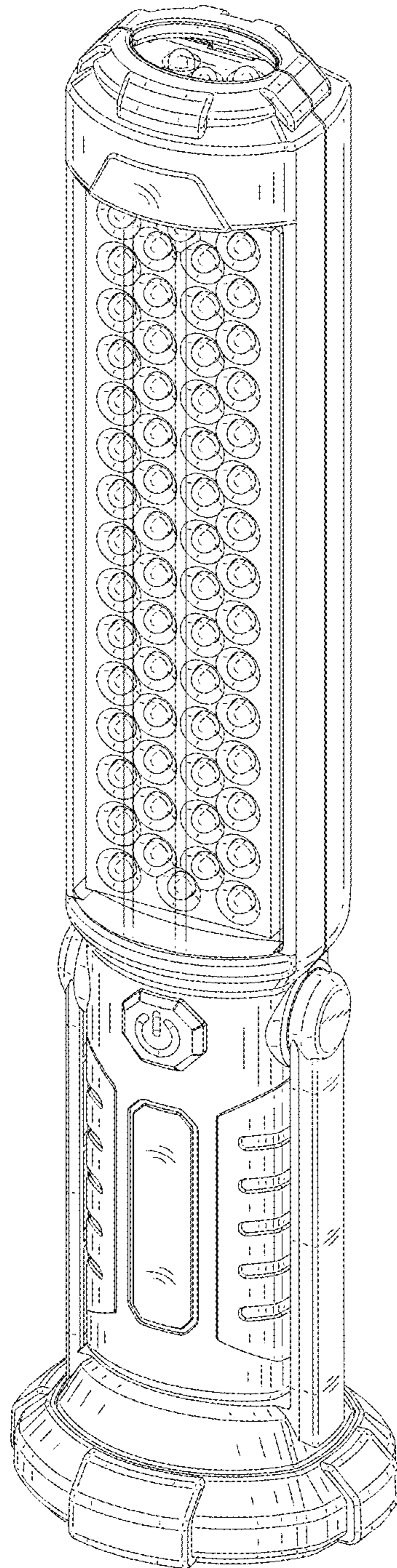


FIG.7

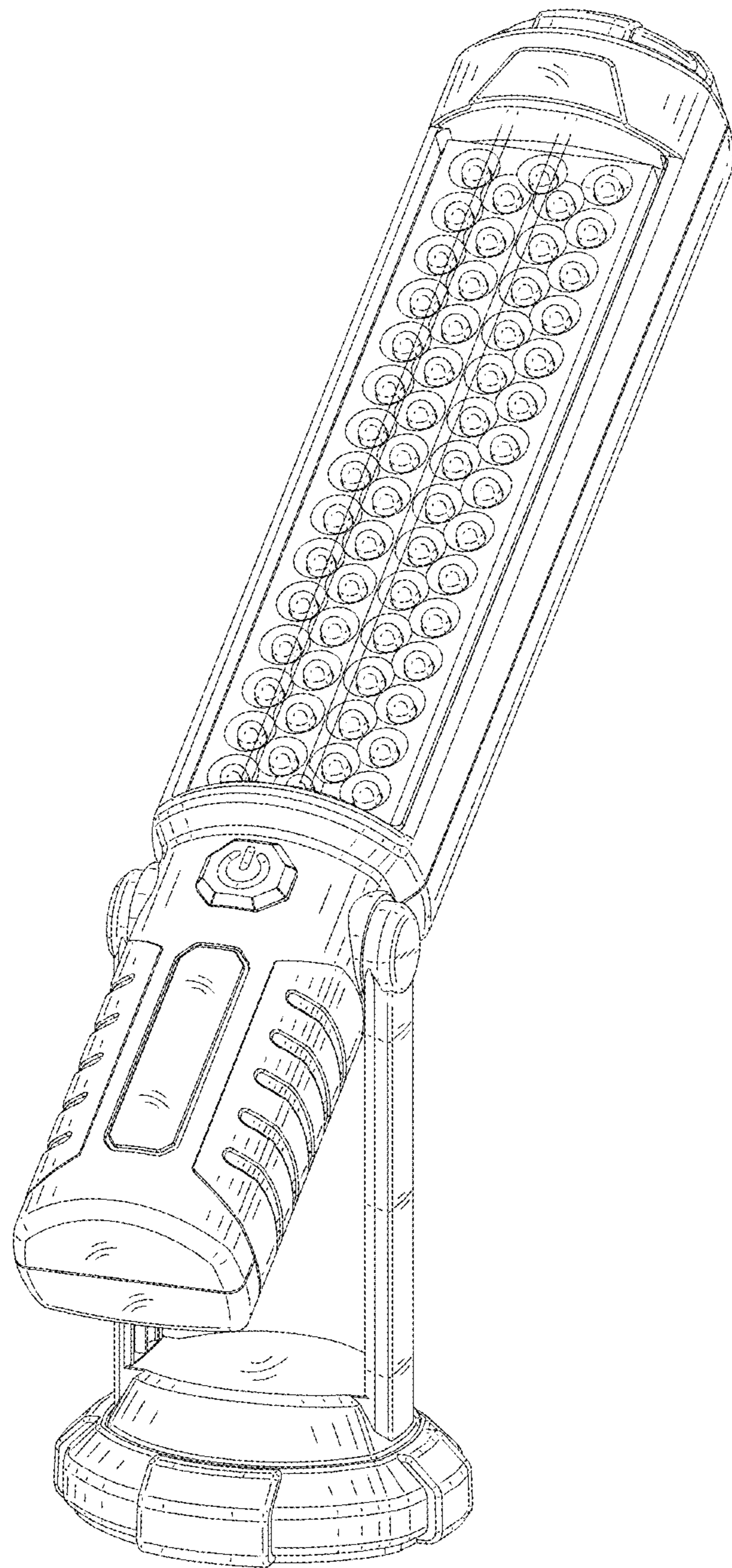


FIG.8

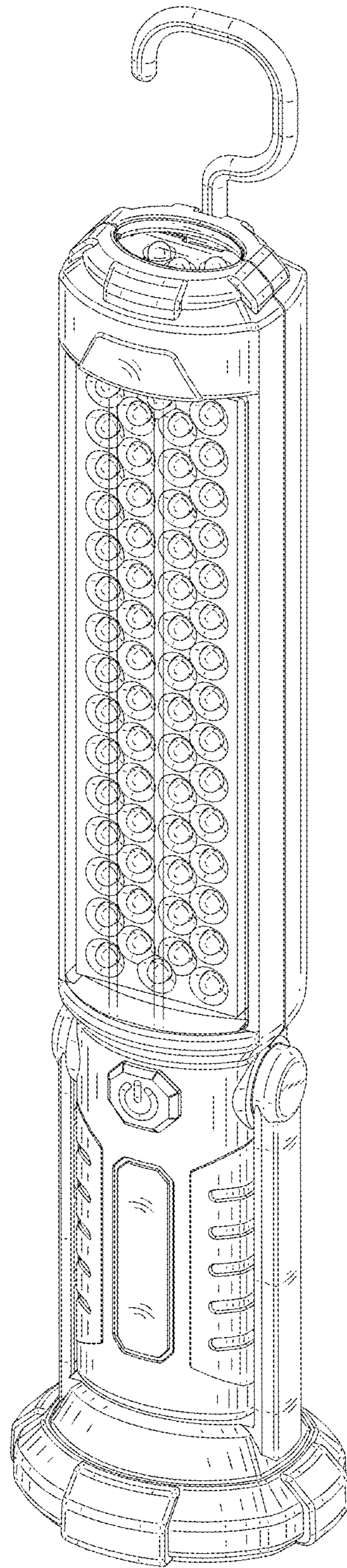


FIG.9

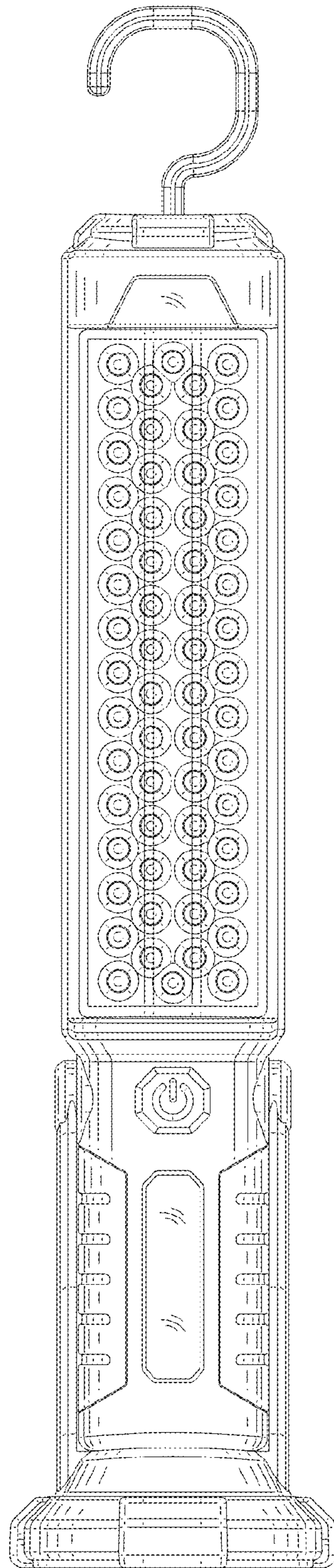


FIG.10

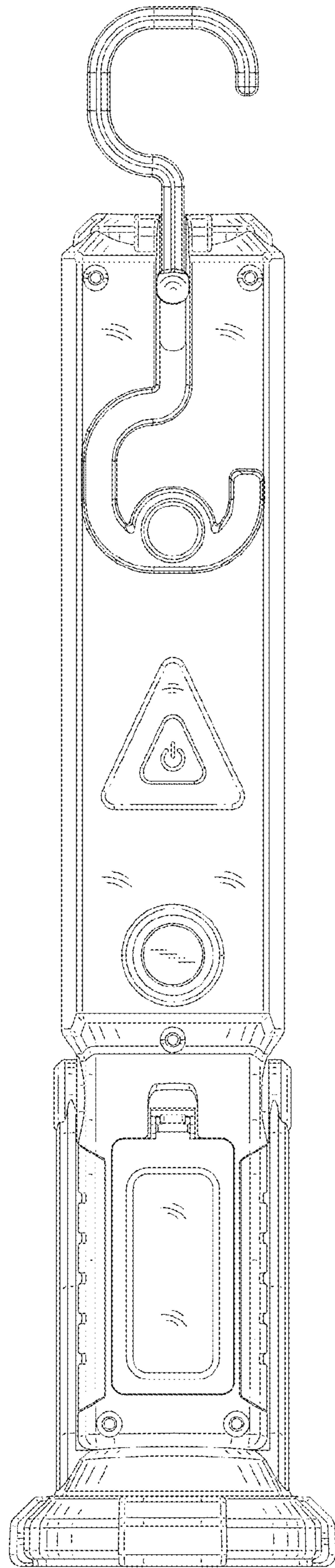


FIG.11

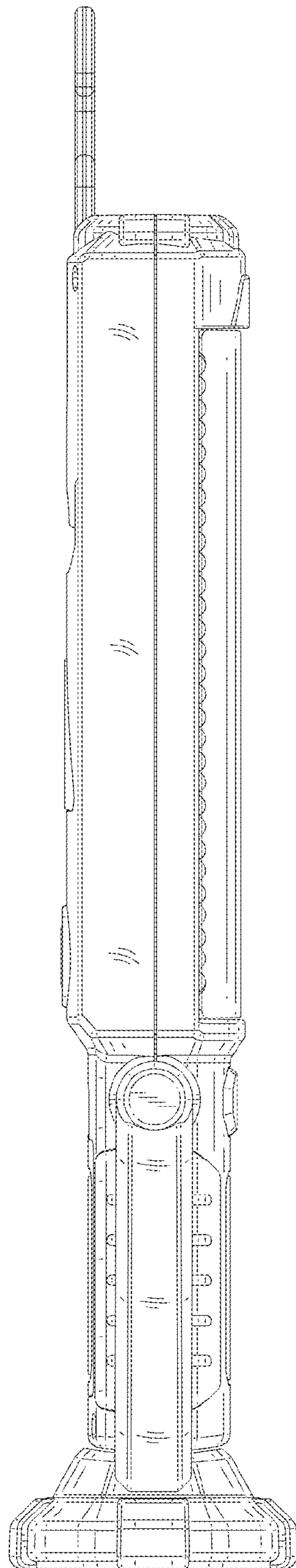


FIG.12

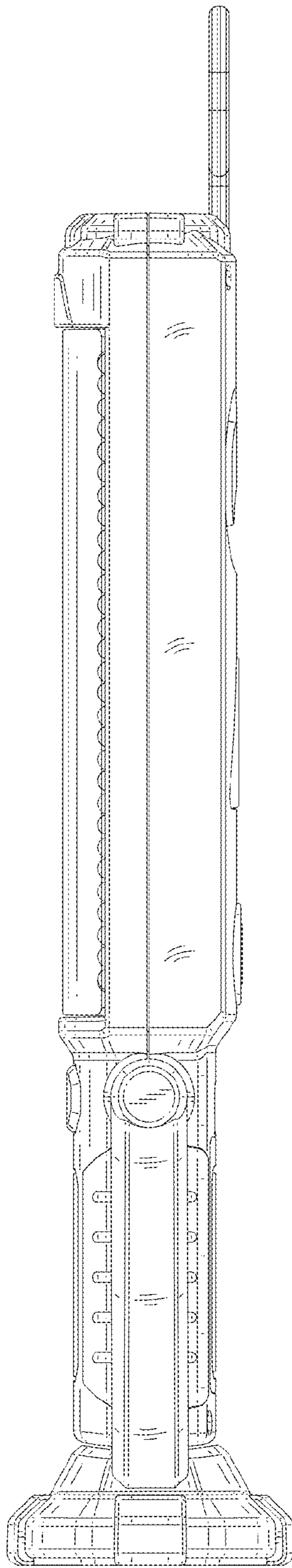


FIG.13

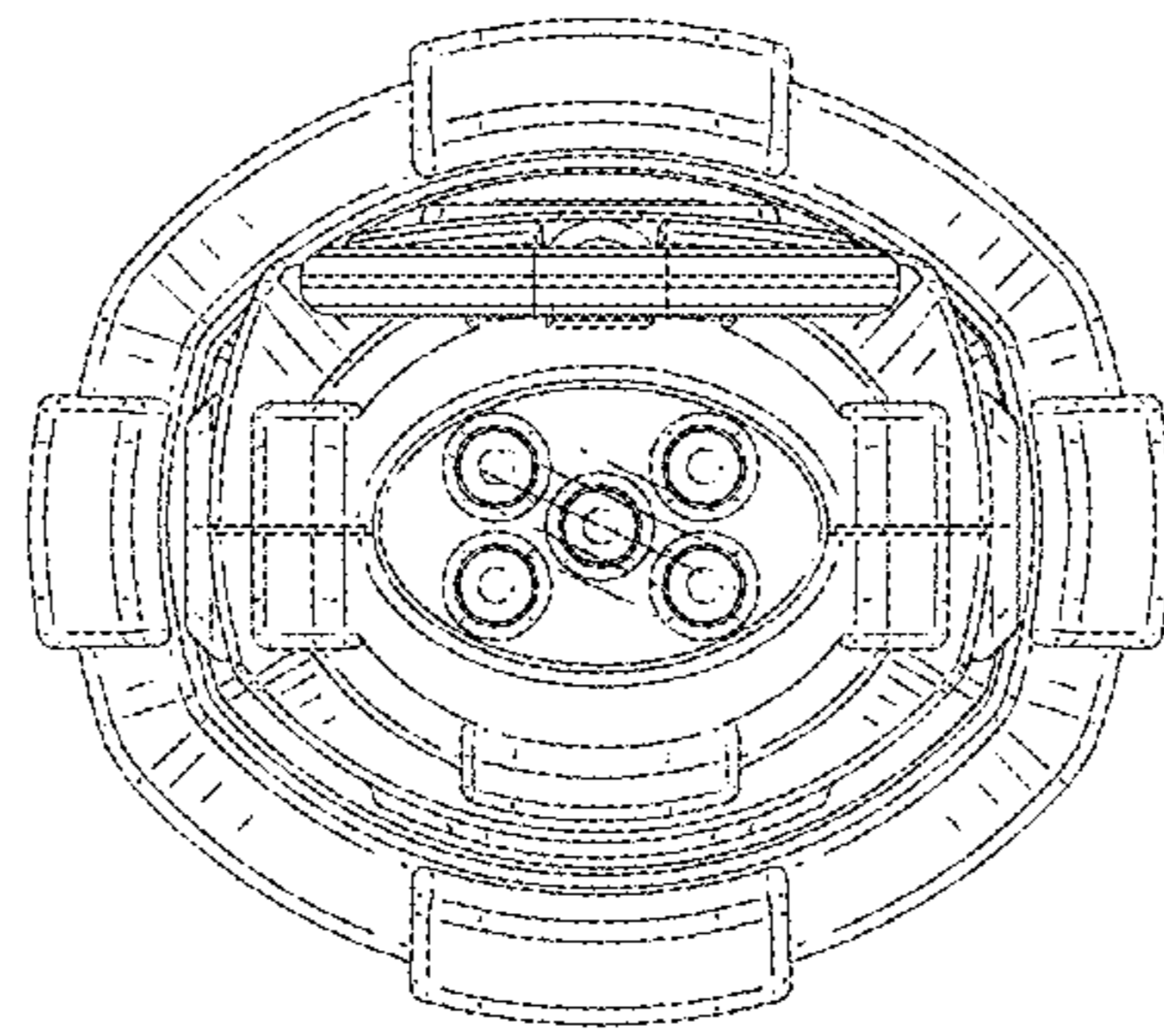


FIG.14

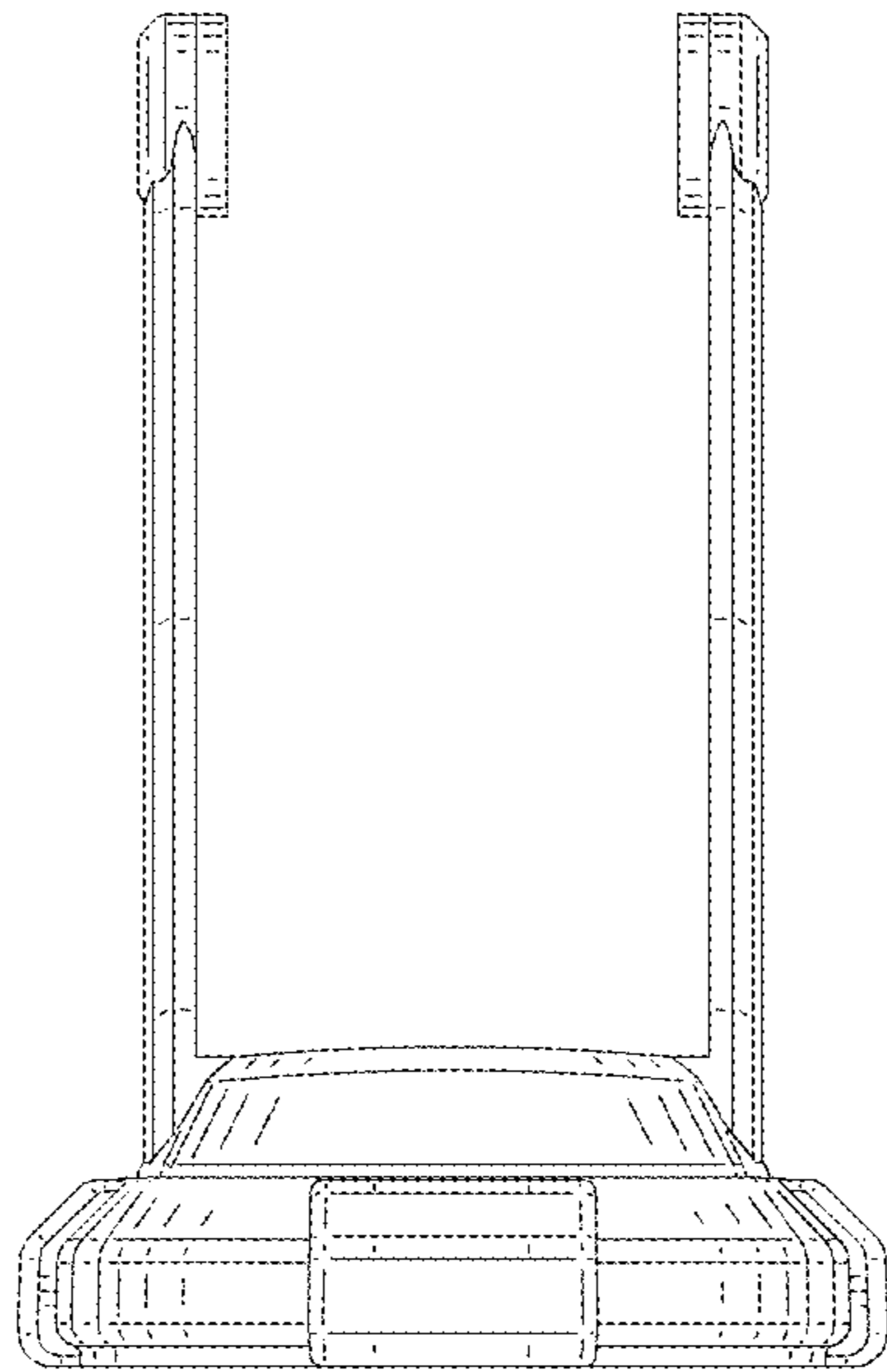


FIG.15

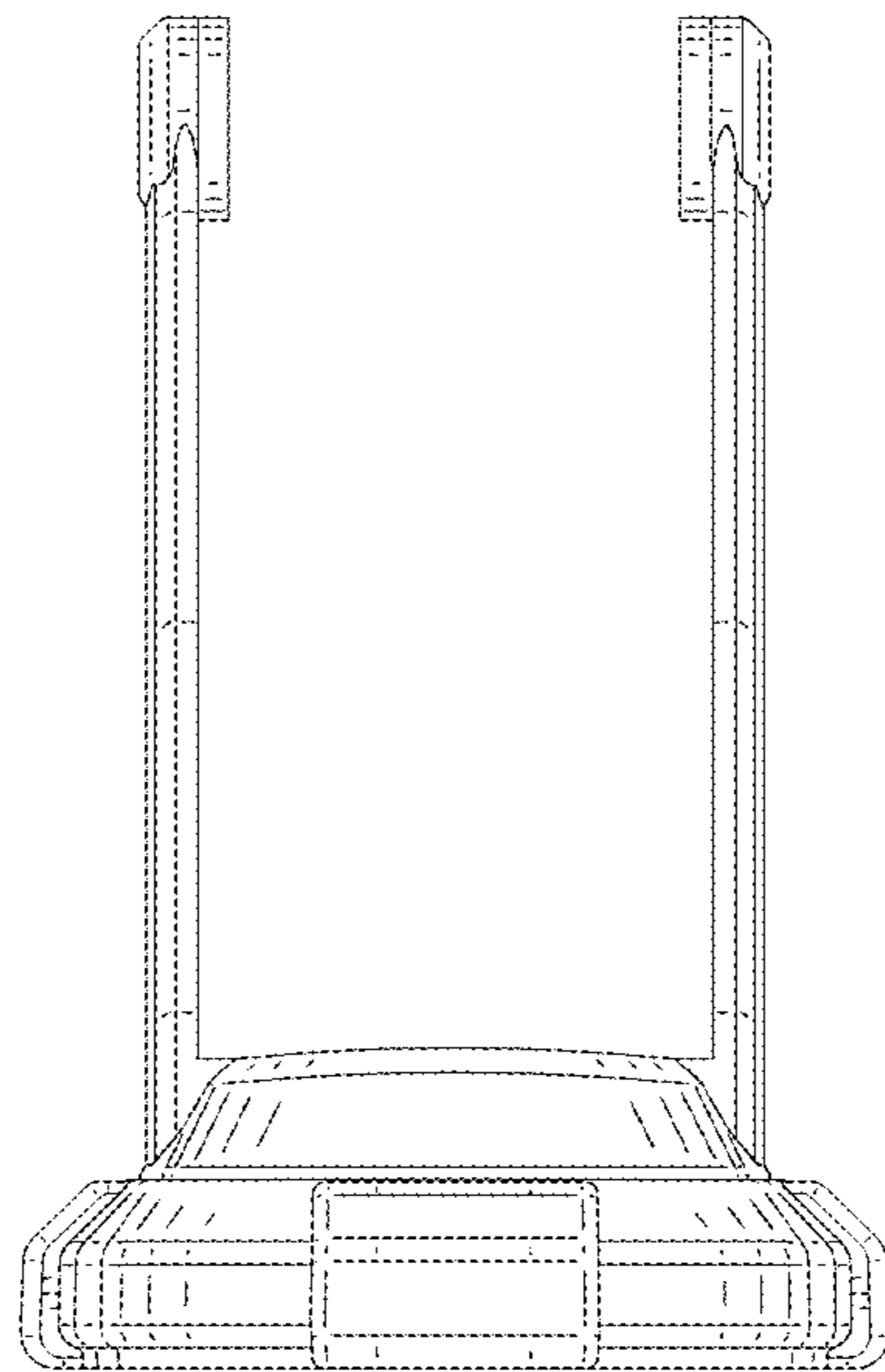


FIG.16

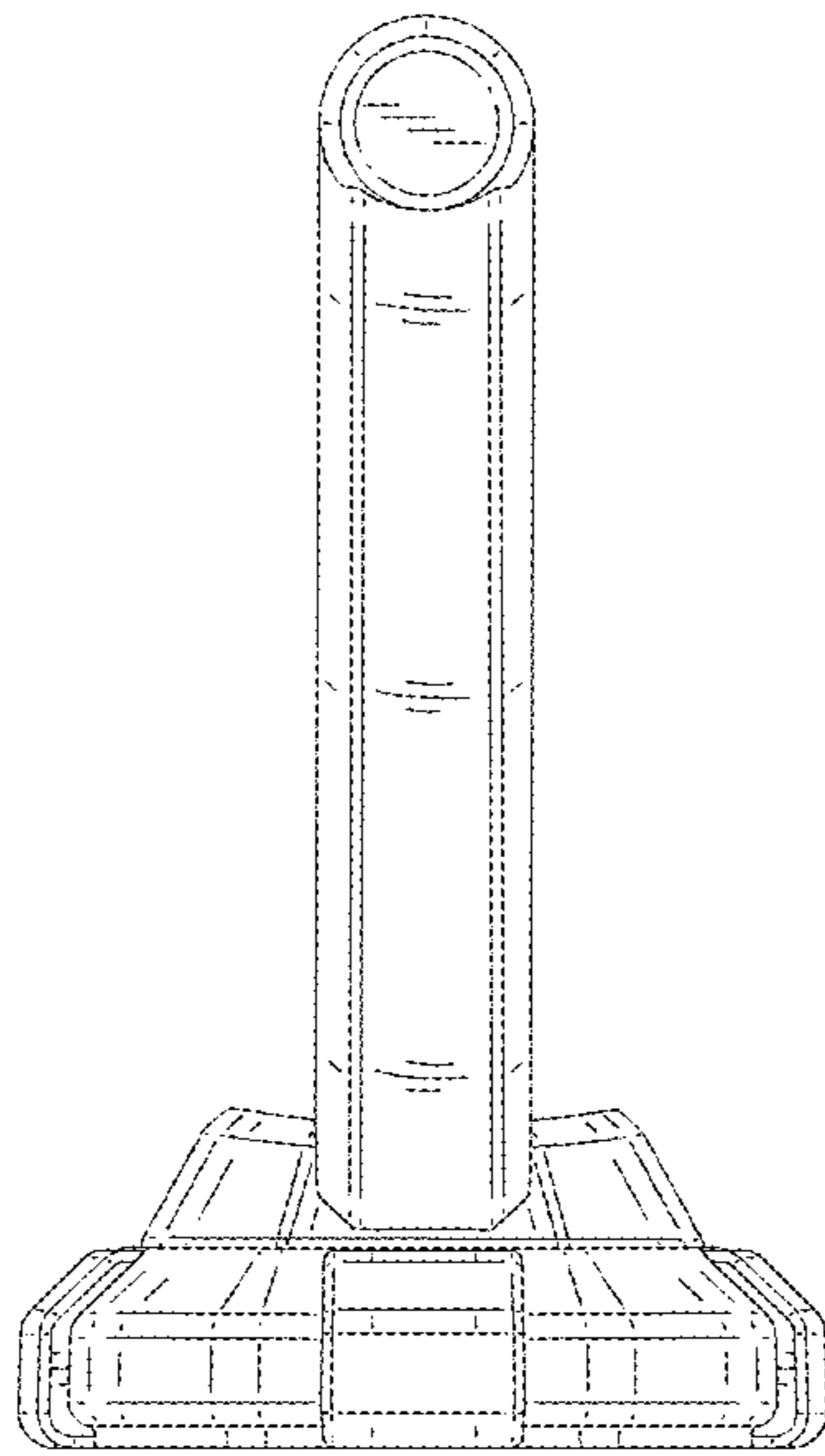


FIG.17

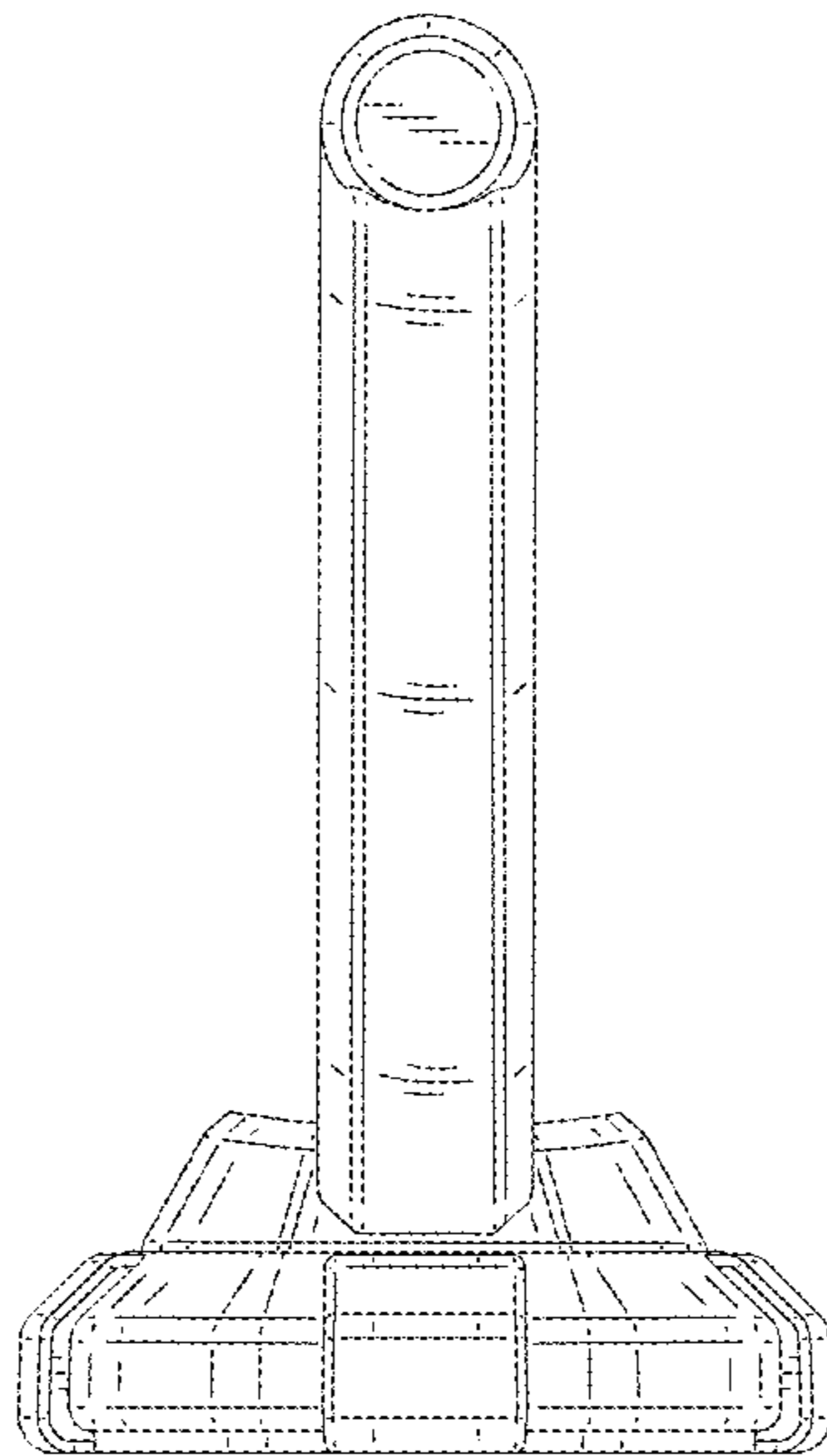


FIG.18

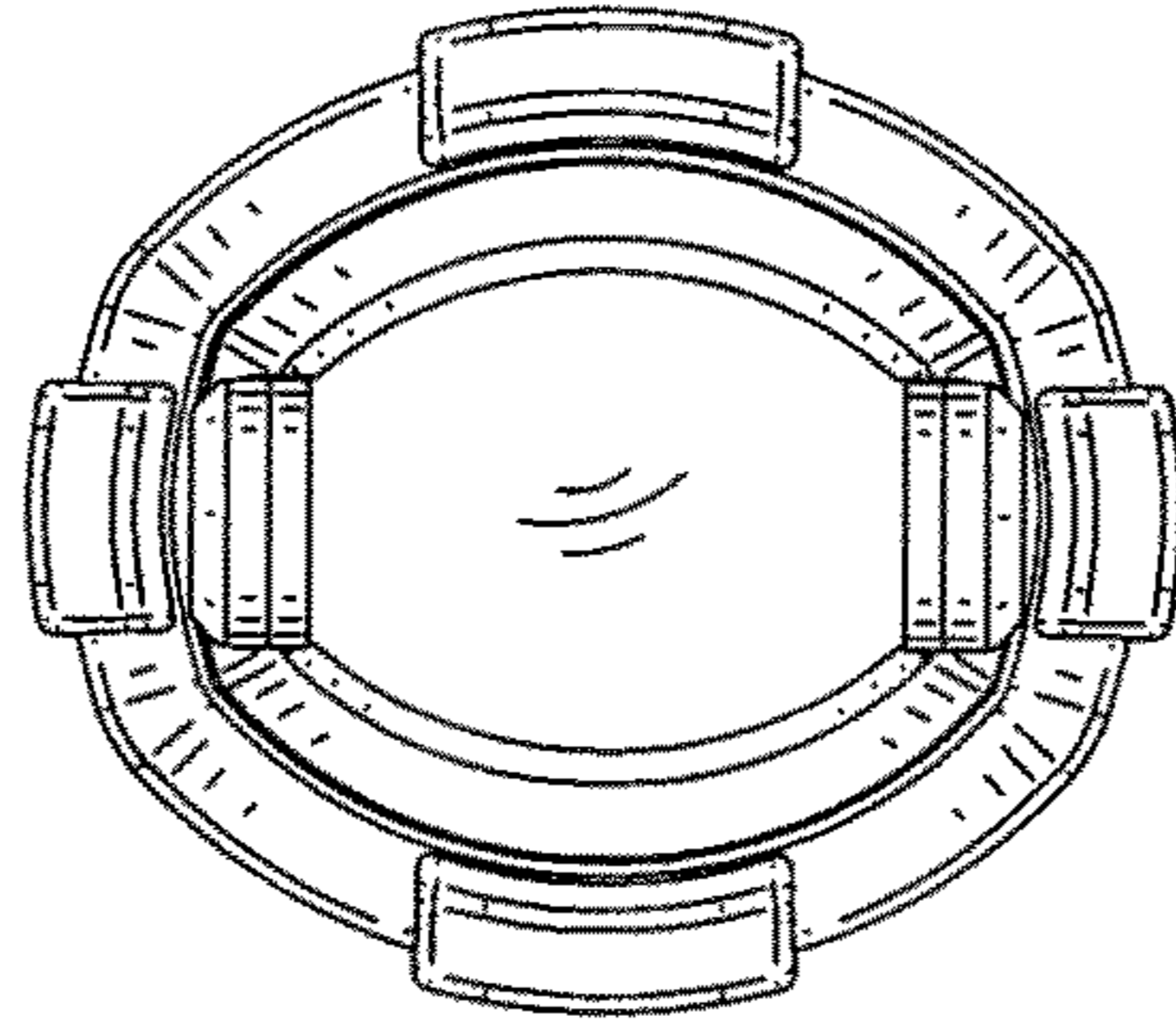


FIG. 19

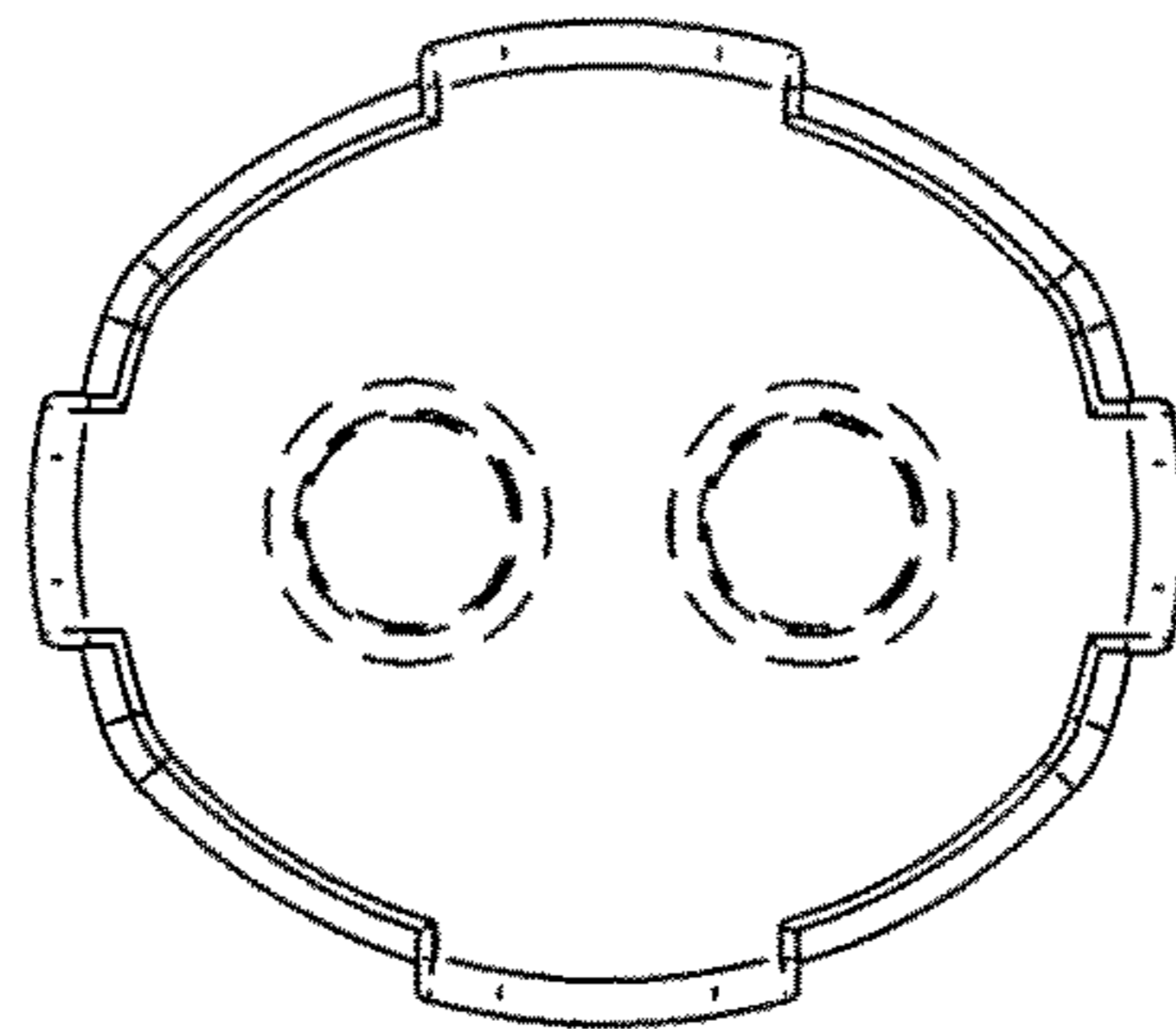


FIG. 20

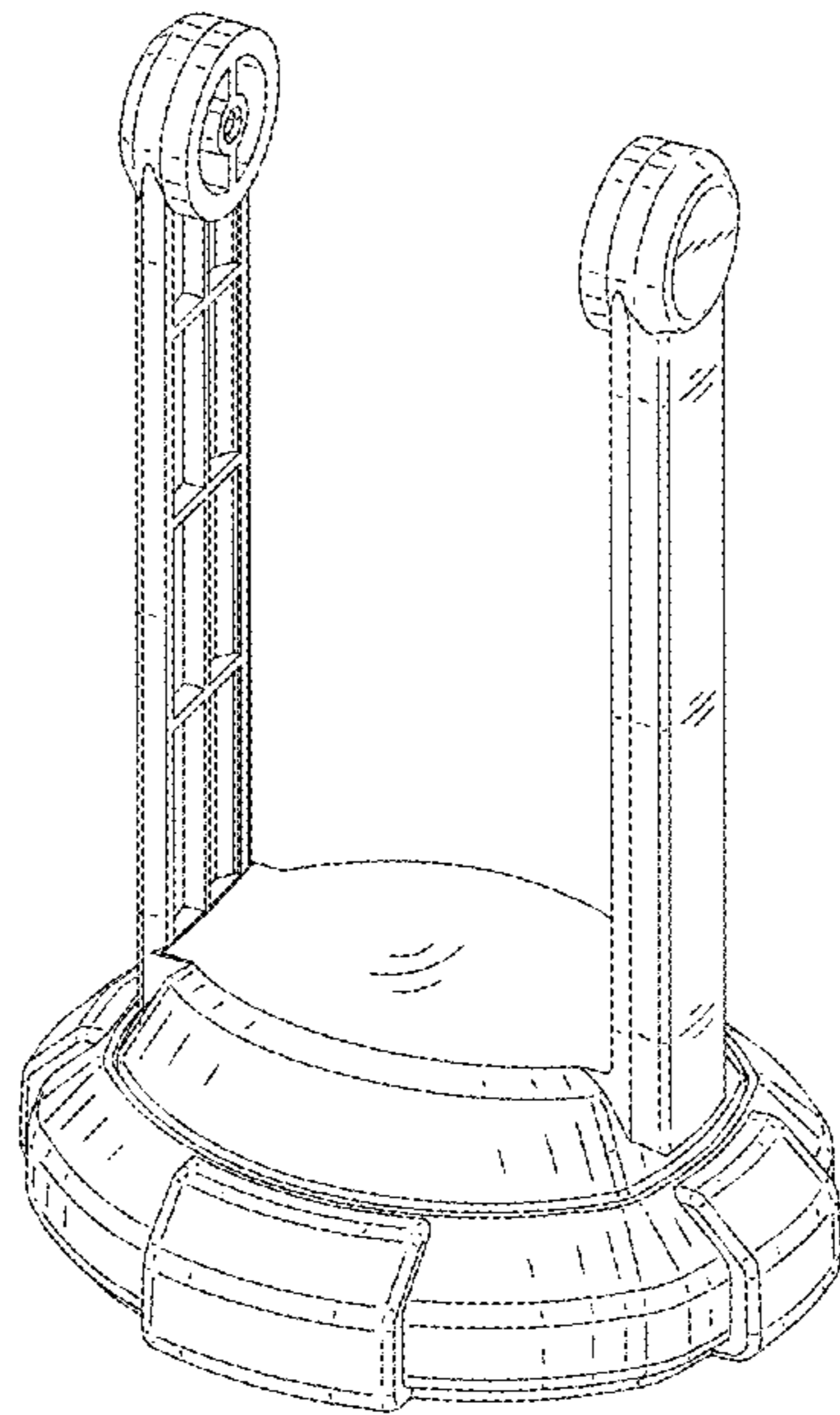


FIG.21

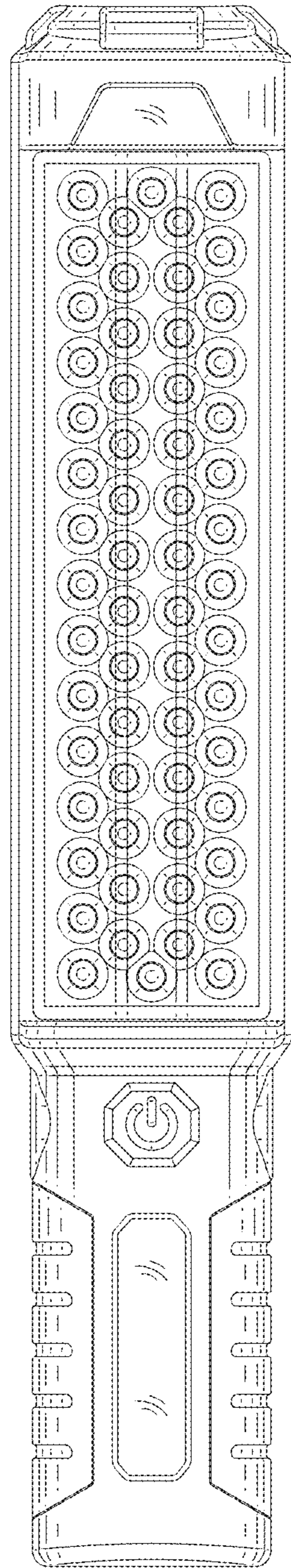


FIG.22

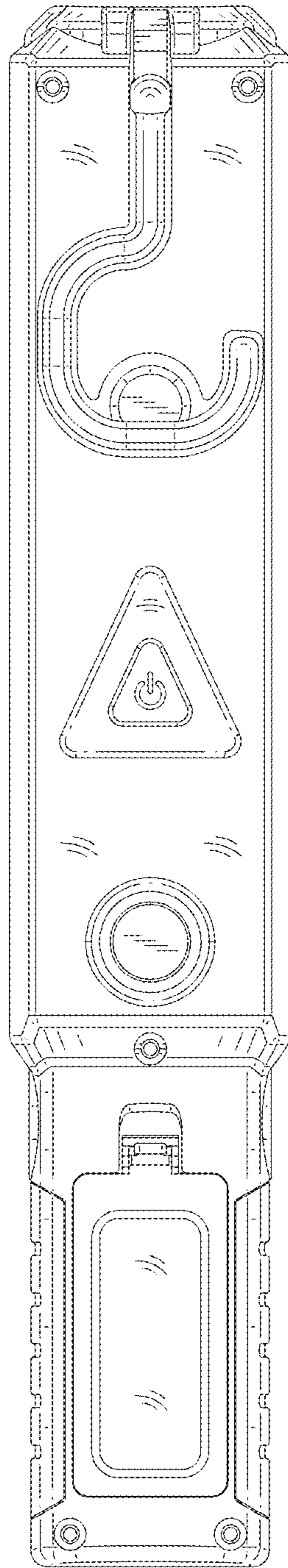


FIG.23

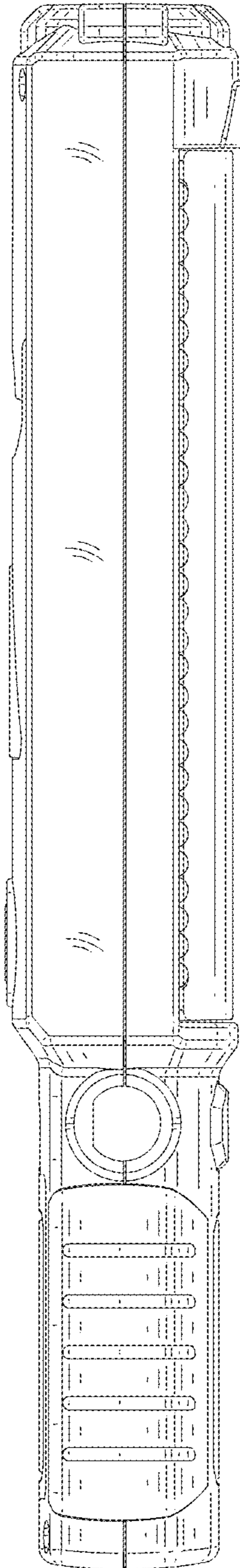


FIG.24

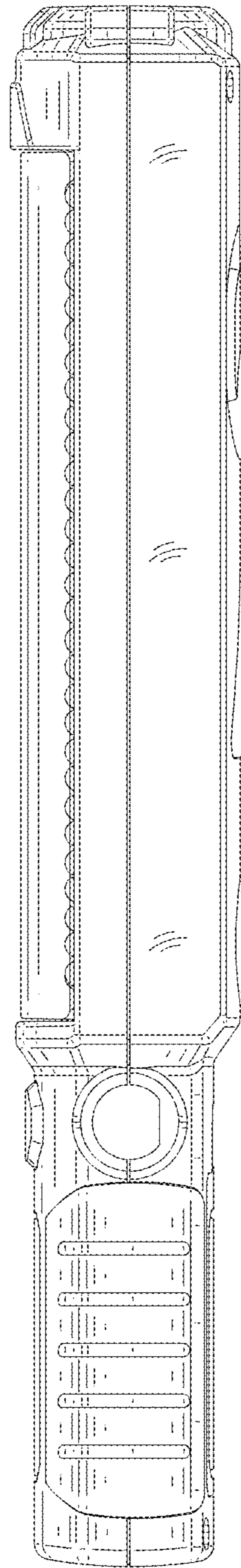


FIG.25

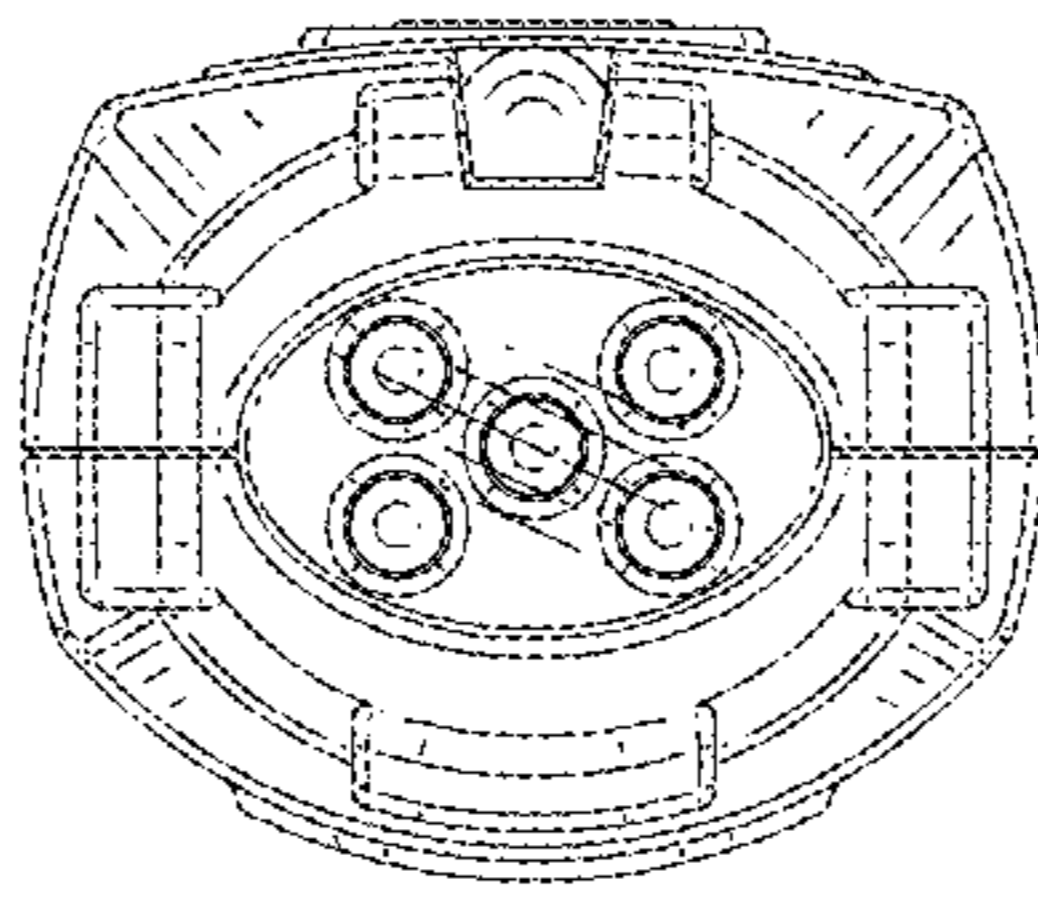


FIG.26

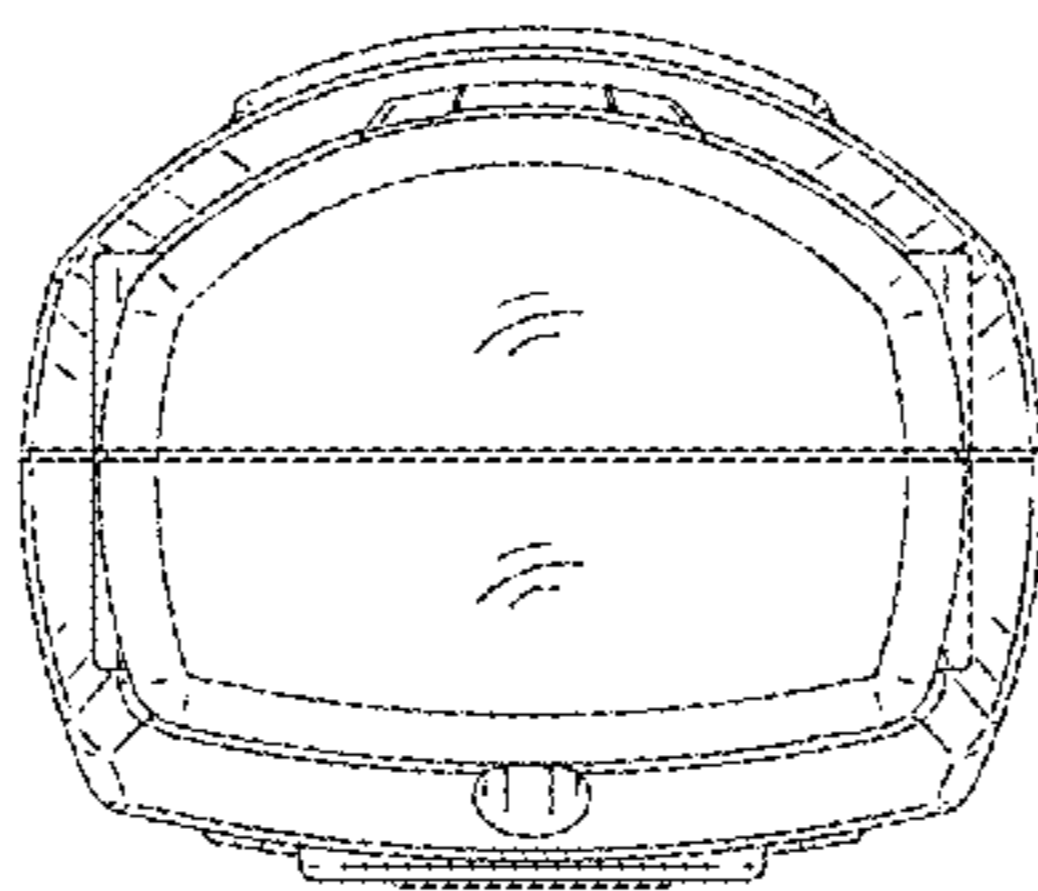


FIG.27

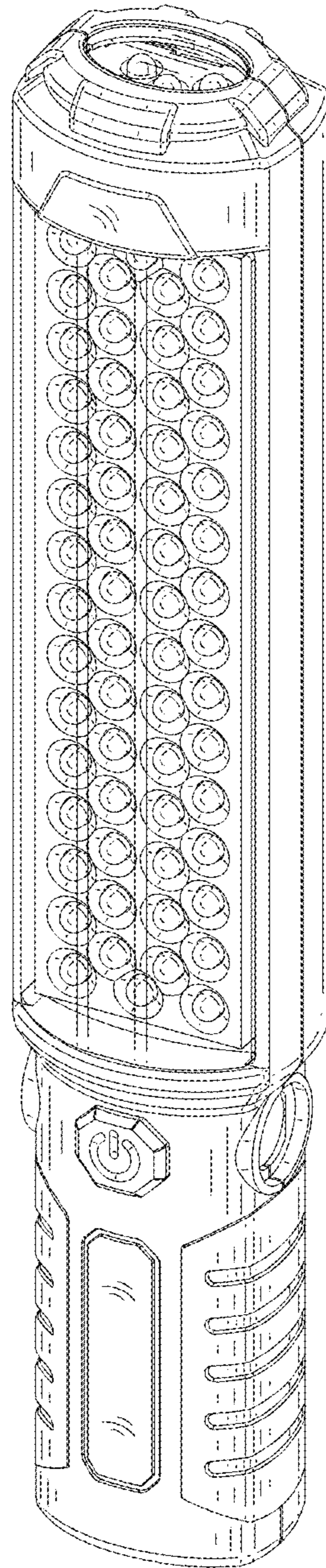


FIG.28