



US00D757971S

(12) **United States Design Patent**
Kovacik et al.

(10) **Patent No.:** **US D757,971 S**

(45) **Date of Patent:** **** May 31, 2016**

(54) **HANDHELD WORK LIGHT**

(71) Applicant: **Alert Stamping & Manufacturing Co., Inc.**, Bedford Heights, OH (US)

(72) Inventors: **James D. Kovacik**, Brecksville, OH (US); **Paul S. Blanch**, Broadview Heights, OH (US)

(73) Assignee: **Alert Stamping & Manufacturing Co., Inc.**, Bedford Heights, OH (US)

(**) Term: **14 Years**

(21) Appl. No.: **29/482,646**

(22) Filed: **Feb. 20, 2014**

(51) **LOC (10) Cl.** **26-02**

(52) **U.S. Cl.**
USPC **D26/37**

(58) **Field of Classification Search**
USPC D26/37, 40, 41, 44, 46, 49; 362/157, 362/158, 183, 184, 194-196, 200-208
CPC F21V 33/00; F21V 14/025; F21V 21/406; F21Y 2101/02; F21L 17/00; F21L 13/08
See application file for complete search history.

7,325,944 B2 2/2008 Kovacik et al.
7,338,189 B2 3/2008 Kovacik et al.
7,350,936 B2 4/2008 Ducharme et al.
7,367,692 B2 5/2008 Maxik
7,597,456 B2 10/2009 Catalano et al.
7,600,882 B1 10/2009 Morejon et al.
D631,178 S 1/2011 Kovacik et al.
D648,054 S * 11/2011 Zhuang D26/37
D651,731 S * 1/2012 Xu D26/37
D689,230 S * 9/2013 Yeh D26/49
D691,310 S * 10/2013 Zhou et al. D26/37
D698,056 S * 1/2014 Forbes et al. D26/49
D698,471 S * 1/2014 Poon D26/37
D698,959 S * 2/2014 Shen D26/46
8,708,519 B2 4/2014 Kovacik et al.
2006/0109662 A1 5/2006 Reiff et al.
2007/0103914 A1 5/2007 McCaffrey
2010/0008086 A1 1/2010 Broitzman
2010/0053957 A1 3/2010 Pawelko et al.

* cited by examiner

Primary Examiner — Ian Simmons

Assistant Examiner — Carissa C Fitts

(74) *Attorney, Agent, or Firm* — Fraser Clemens Martin & Miller LLC; William J. Clemens

(57) **CLAIM**

The ornamental design for the handheld work light, as shown and described.

DESCRIPTION

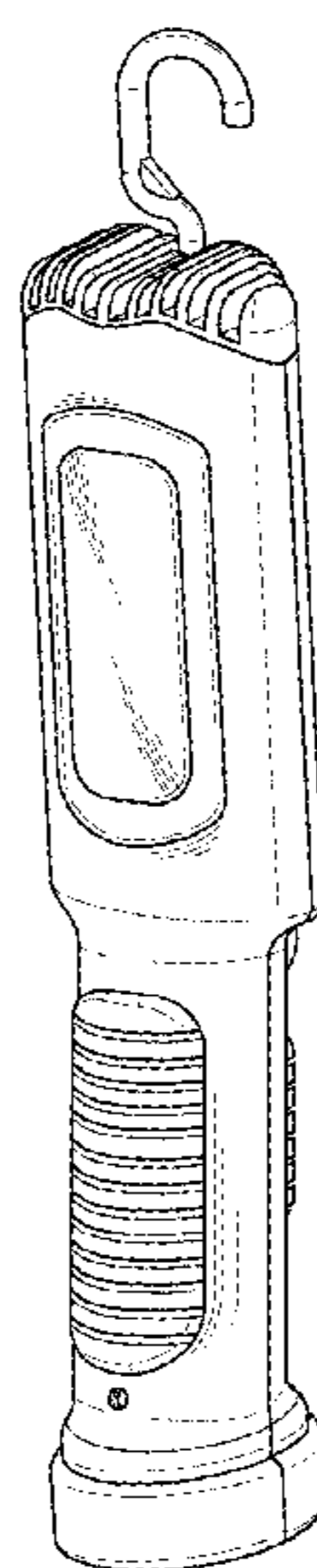
FIG. 1 is a front perspective view of a handheld work light showing our new design;
FIG. 2 is a front elevation view thereof;
FIG. 3 is a rear elevation view thereof;
FIG. 4 is a top plan view thereof;
FIG. 5 is a bottom plan view thereof;
FIG. 6 is a right side elevation view thereof; and,
FIG. 7 is a left side elevation view thereof.
The broken line showing is for environmental purposes only and forms no part of the claimed design.

1 Claim, 3 Drawing Sheets

(56) **References Cited**

U.S. PATENT DOCUMENTS

4,774,647 A 9/1988 Kovacik et al.
5,154,511 A 10/1992 Veneskey
6,231,207 B1 5/2001 Kennedy et al.
D458,400 S 6/2002 Kovacik et al.
D502,276 S 2/2005 Kovacik et al.
6,857,756 B2 2/2005 Reiff et al.
D520,164 S 5/2006 Brass et al.
D527,478 S 8/2006 Kovacik et al.
D527,479 S 8/2006 Poucki
D528,240 S 9/2006 Kovacik et al.
7,150,540 B2 12/2006 Kovacik et al.
D543,301 S 5/2007 Chen
D556,926 S 12/2007 Thirouin



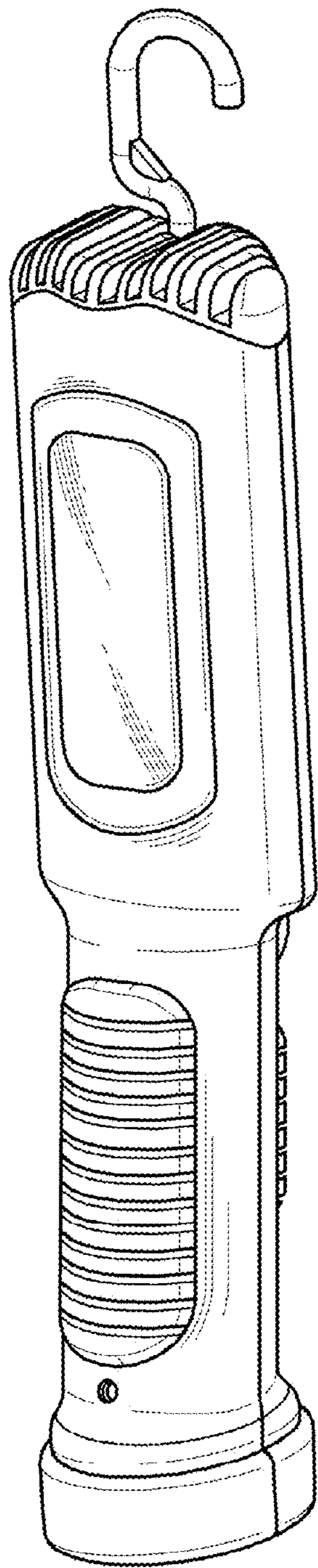


FIG. 1

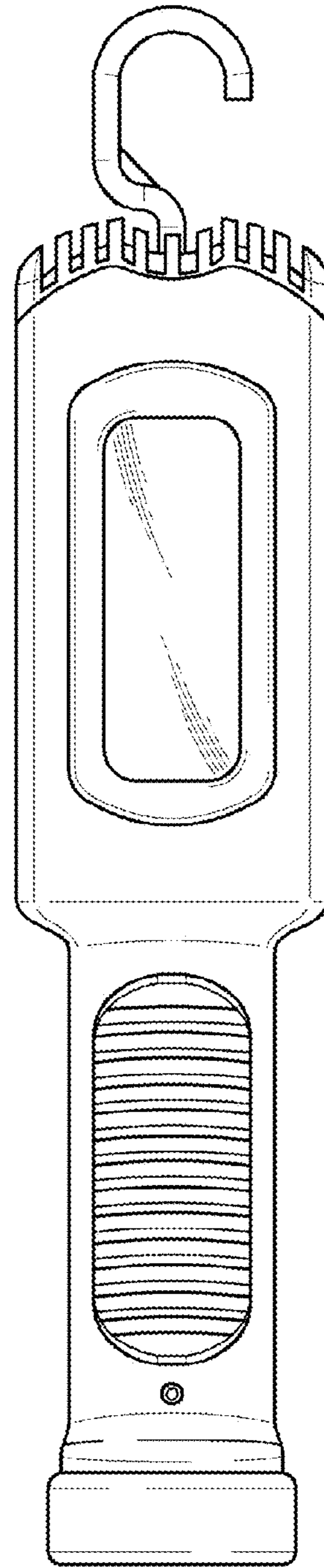


FIG. 2

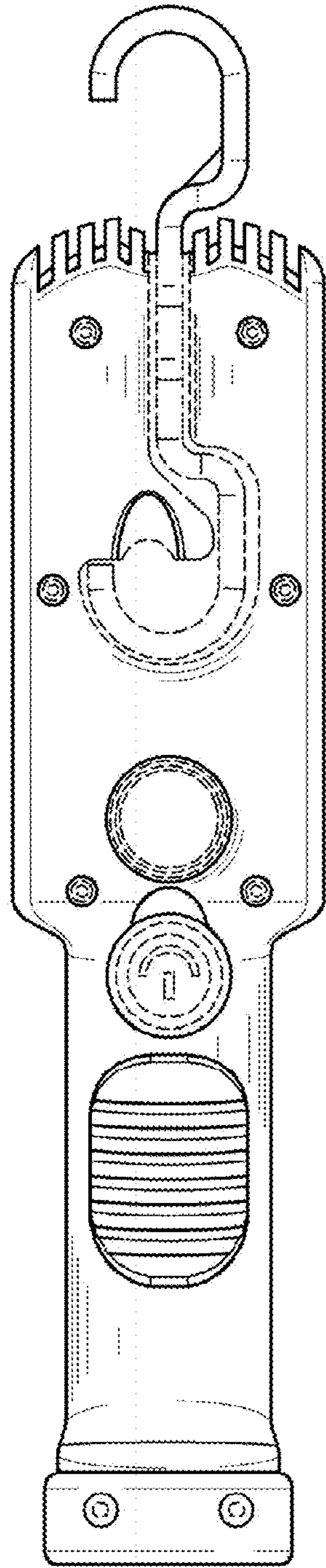


FIG. 3

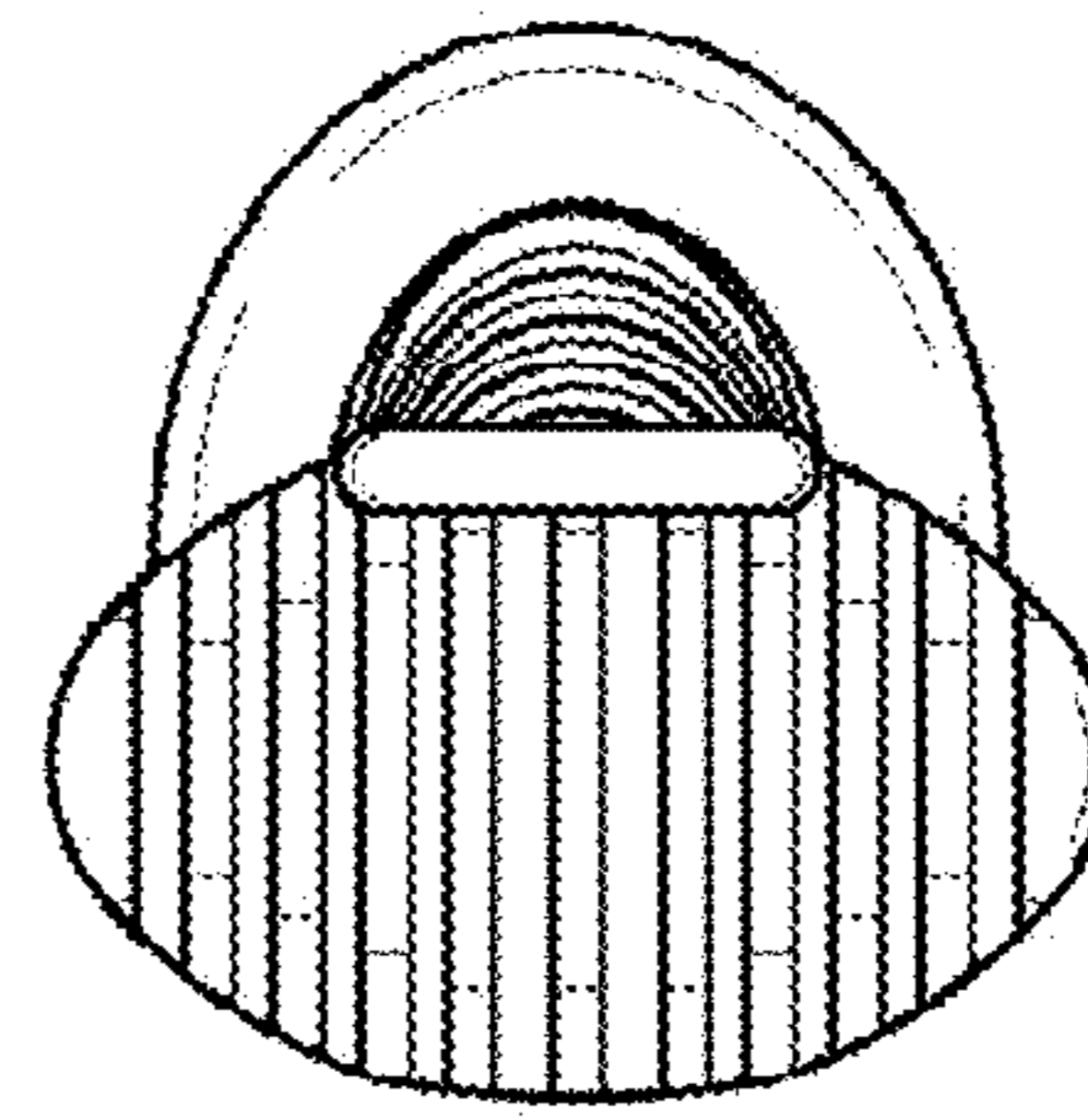


FIG. 4

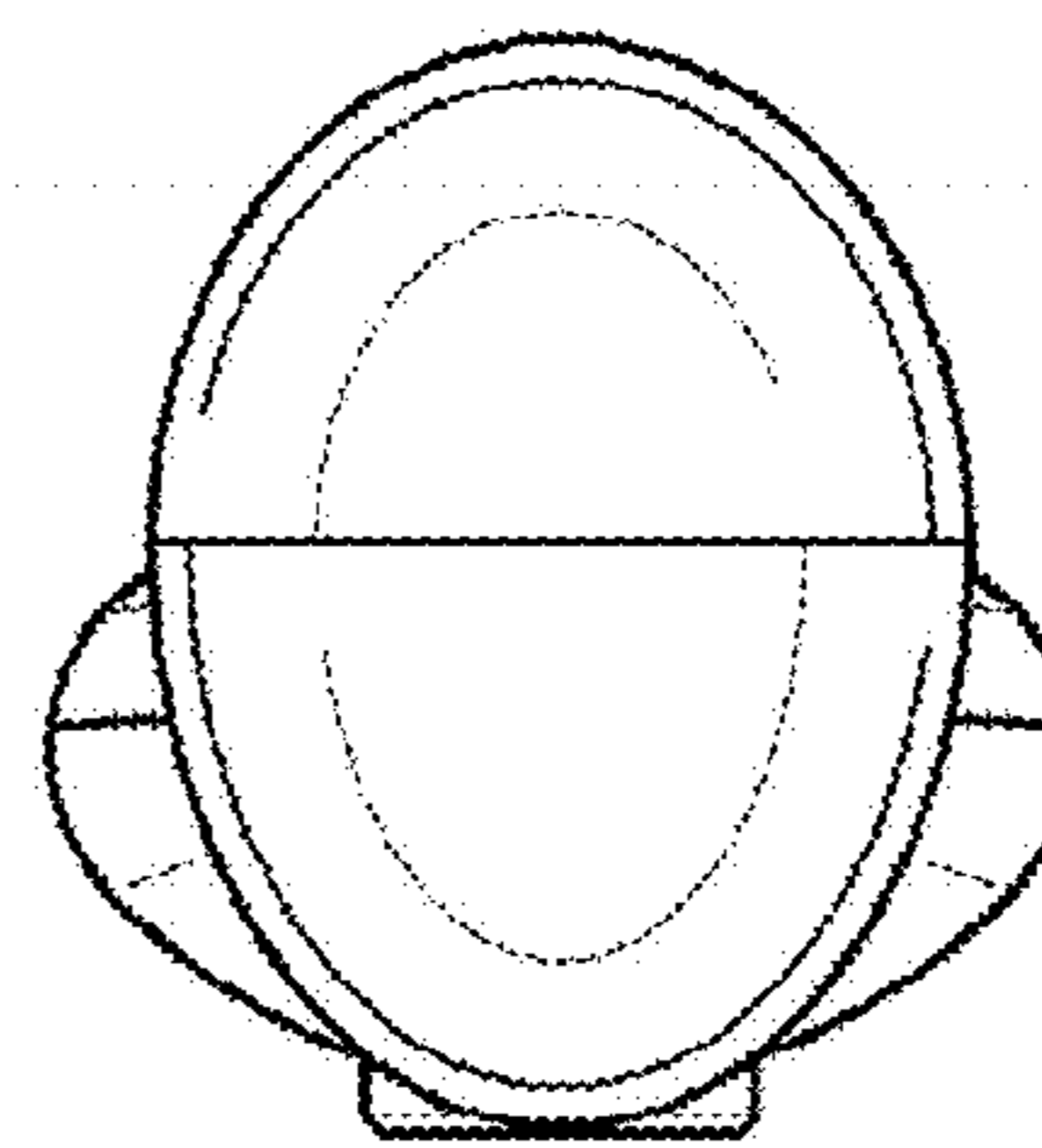


FIG. 5

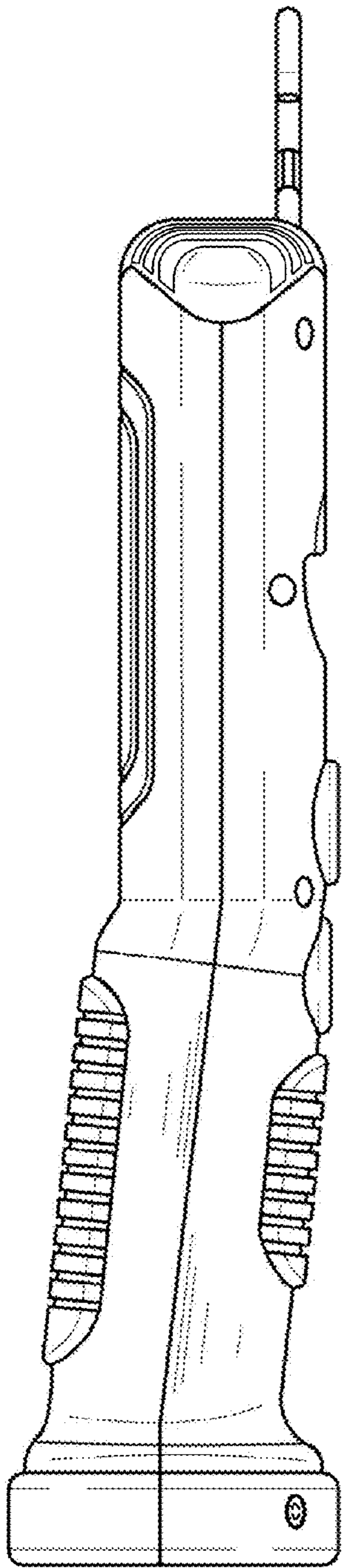


FIG. 6

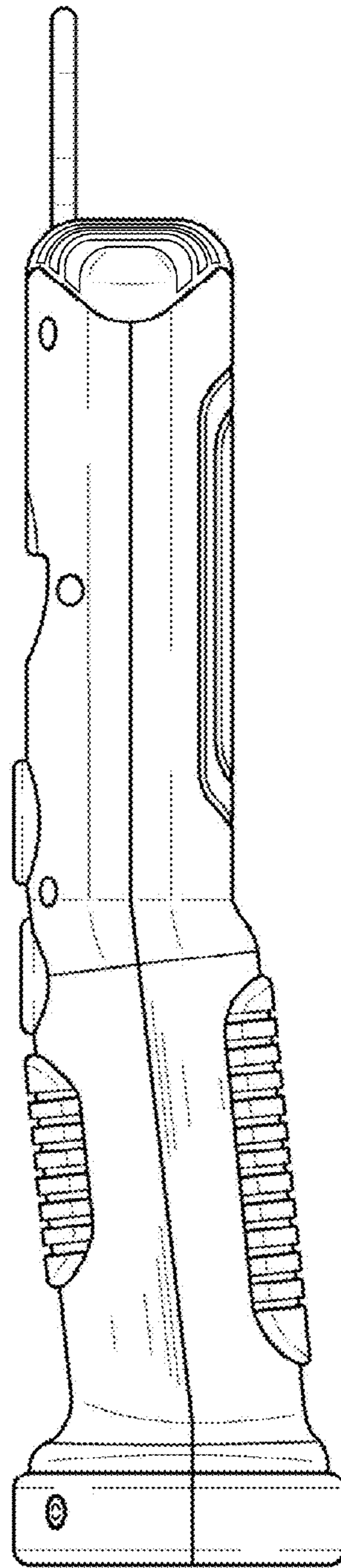


FIG. 7