



US00D757970S

(12) **United States Design Patent**  
**Binder et al.**

(10) **Patent No.:** **US D757,970 S**  
(45) **Date of Patent:** **\*\* May 31, 2016**

- (54) **HEADLIGHT FOR A VEHICLE**
- (71) Applicant: **Daimler AG**, Stuttgart (DE)
- (72) Inventors: **Thomas Binder**, Stuttgart (DE); **Stefan Handt**, Stuttgart (DE); **Denis Di Pardo**, Nufringen (DE); **Frederic Seemann**, Stuttgart (DE)
- (73) Assignee: **Daimler AG**, Stuttgart (DE)
- (\*\*) Term: **14 Years**
- (21) Appl. No.: **29/517,350**
- (22) Filed: **Feb. 12, 2015**
- (30) **Foreign Application Priority Data**  
  - Aug. 13, 2014 (WO) ..... DM/084 197
- (51) **LOC (10) CL.** ..... **26-06**
- (52) **U.S. CL.**  
USPC ..... **D26/28**
- (58) **Field of Classification Search**  
  - USPC ..... D26/28-36; 362/459-468, 475-478, 362/485-487
  - CPC ..... F21S 48/00; F21S 48/10; F21S 48/115; F21S 48/225; F21S 48/1233; F21S 48/1266; F21S 48/1388; F21S 48/2268; F21V 21/04

See application file for complete search history.

- D592,768 S 5/2009 Bauer et al.
- D592,769 S 5/2009 Bauer et al.
- D593,232 S \* 5/2009 Koman ..... D26/28
- D635,694 S \* 4/2011 Yang ..... D26/28
- D688,824 S 8/2013 Binder et al.
- D688,825 S 8/2013 Binder et al.

\* cited by examiner

*Primary Examiner* — Marcus Jackson

(74) *Attorney, Agent, or Firm* — Crowell & Moring LLP

(57) **CLAIM**

The ornamental design for a headlight for a vehicle, as shown and described.

**DESCRIPTION**

This application contains subject matter related to the following co-pending U.S. design patent applications: Application Ser. No. 29/517,351, filed herewith and entitled “Headlight for a Vehicle”; and Application Ser. No. 29/517,352, filed herewith and entitled “Headlight for a Vehicle”.

FIG. 1 is a right perspective view of a first embodiment of a headlight for a vehicle according to the design; FIG. 2 is a front view thereof; FIG. 3 is a right side view thereof; and FIG. 4 is a top view thereof.

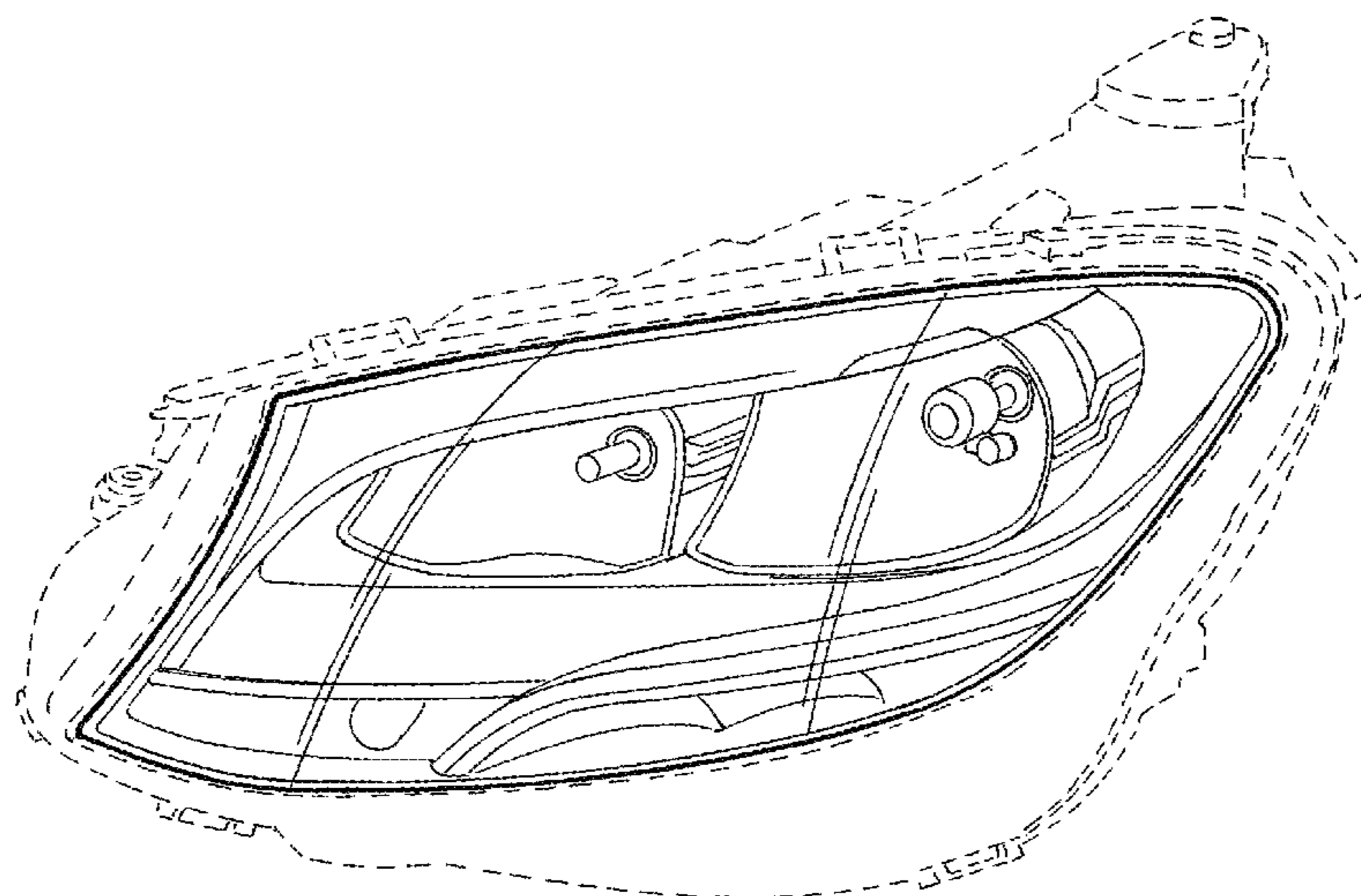
FIG. 5 is a left perspective view of a second embodiment of a headlight for a vehicle thereof, with the headlight for a vehicle for the opposite side of the vehicle being depicted in the first embodiment;

FIG. 6 is a front view thereof; FIG. 7 is a left side view thereof; and, FIG. 8 is a top view thereof.

The broken lines are for illustrative purposes only and form no part of the claimed design. Also enclosed is a set of photographs of an embodiment of the design.

**1 Claim, 4 Drawing Sheets**

- (56) **References Cited**  
  - U.S. PATENT DOCUMENTS
  - D538,956 S \* 3/2007 Ishii ..... D26/28
  - D544,614 S \* 6/2007 Markefka ..... D26/28
  - D561,358 S \* 2/2008 Tachibana ..... D26/28
  - D570,007 S \* 5/2008 Hsu ..... D26/28
  - D582,587 S \* 12/2008 Yang ..... D26/28



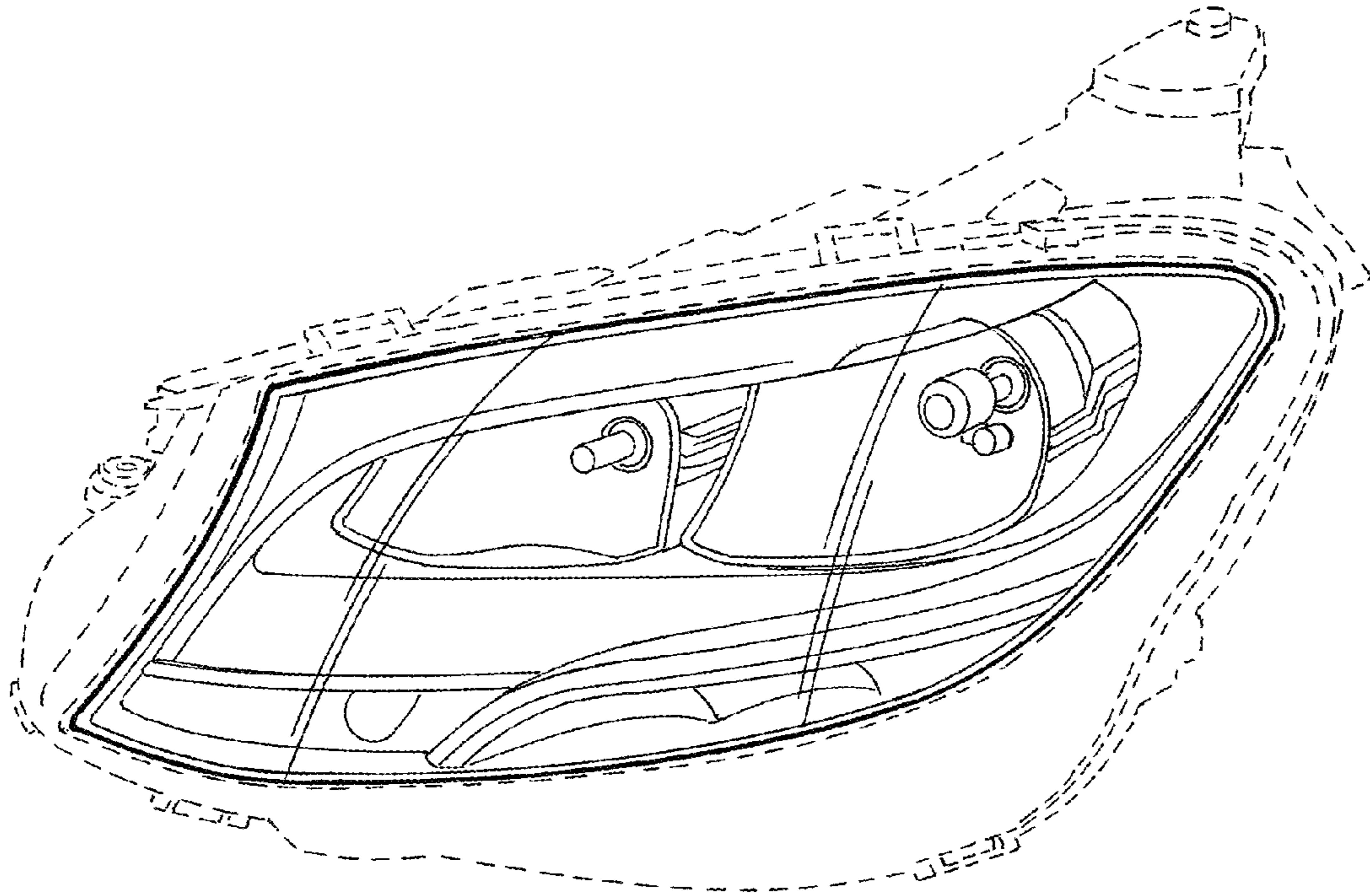


FIG. 1

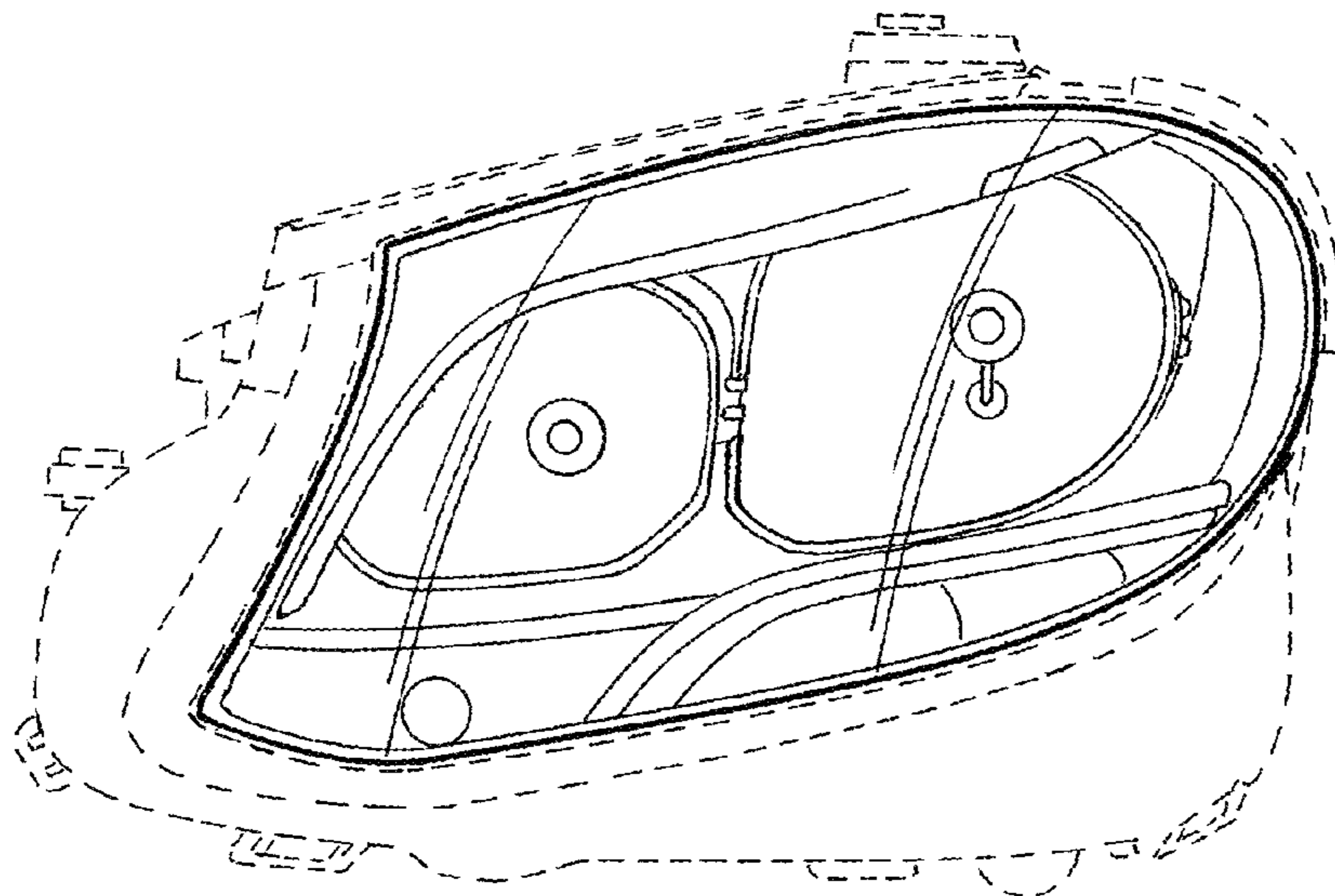


FIG. 2

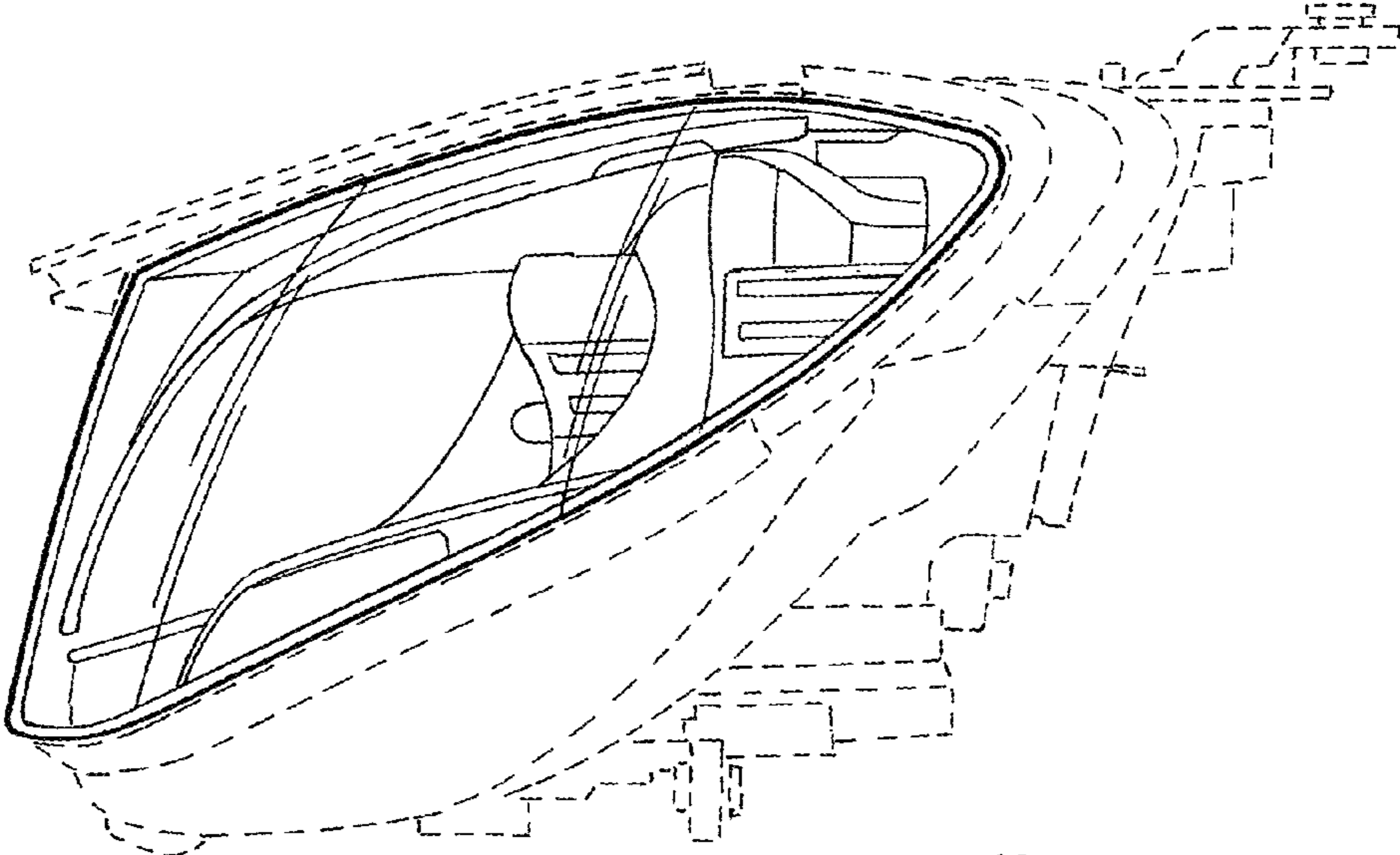


FIG. 3

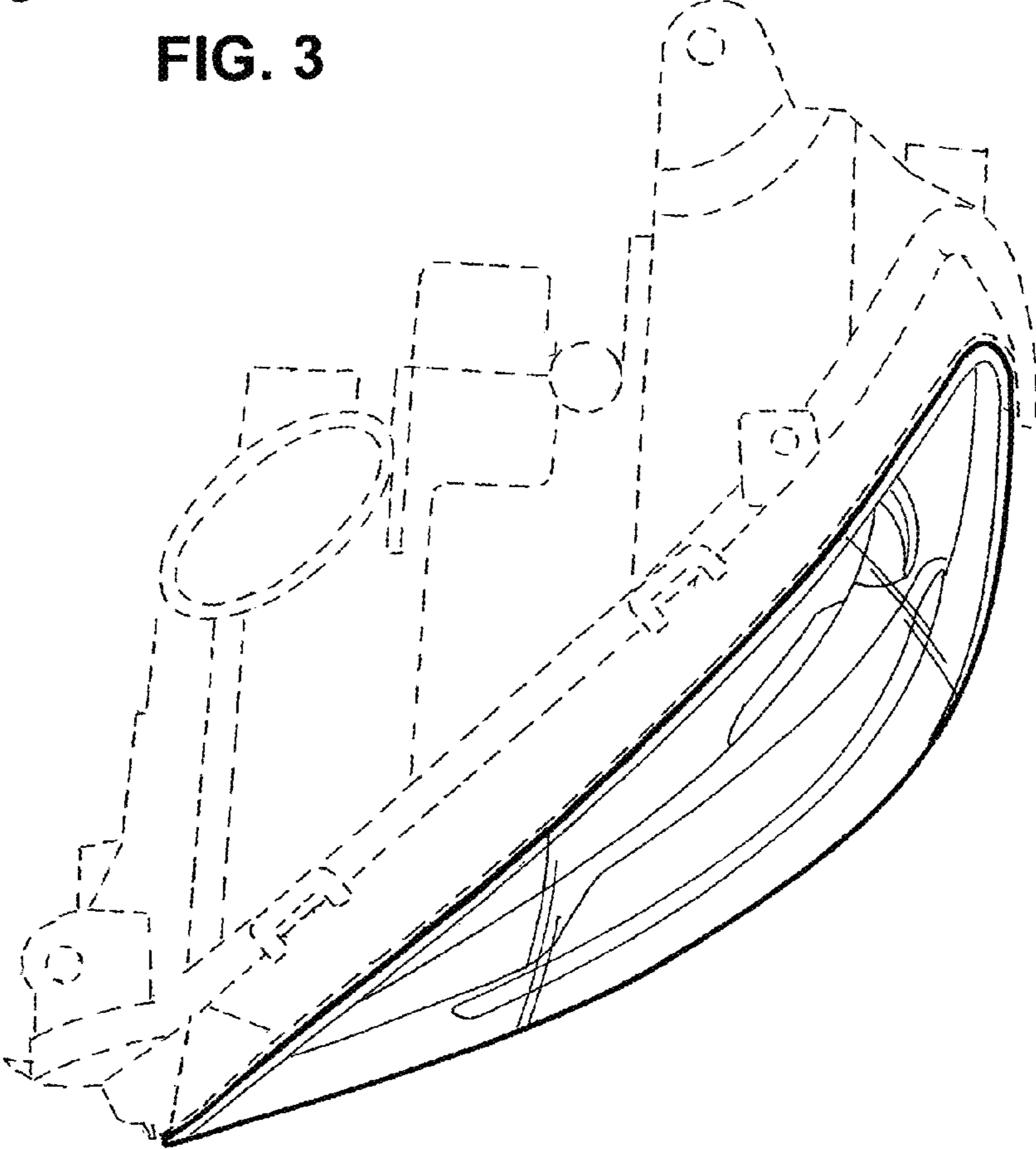


FIG. 4

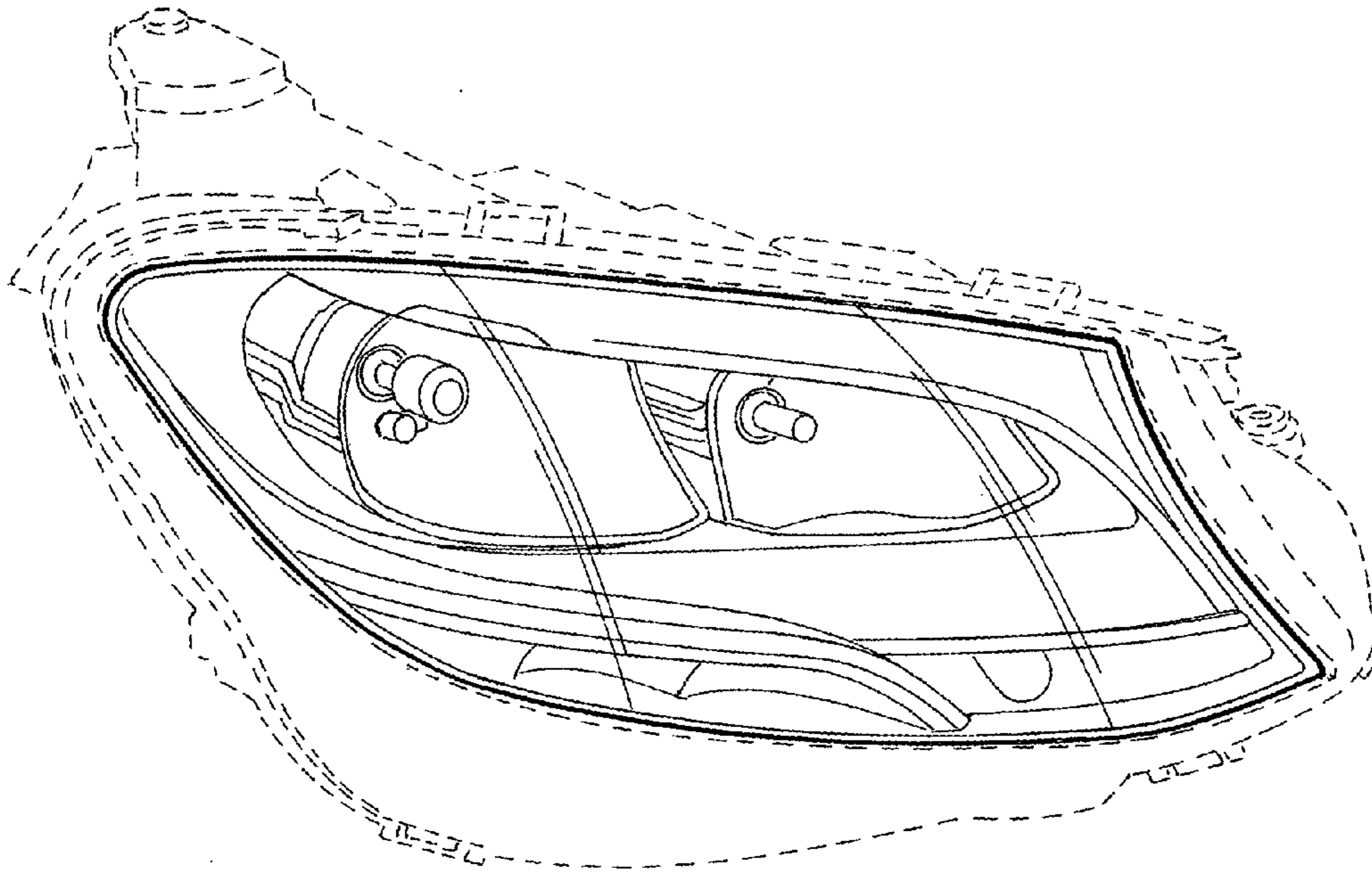


FIG. 5

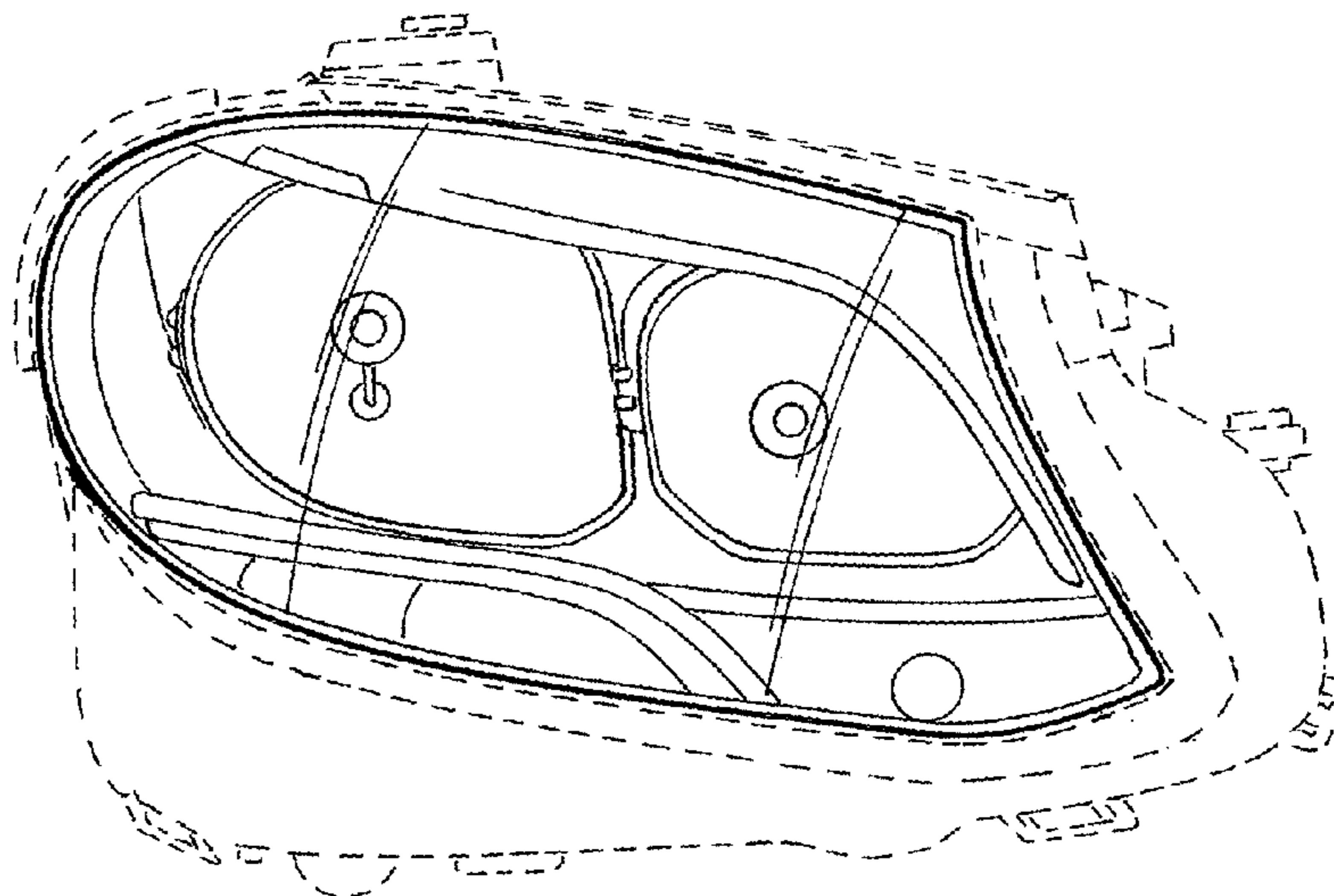


FIG. 6

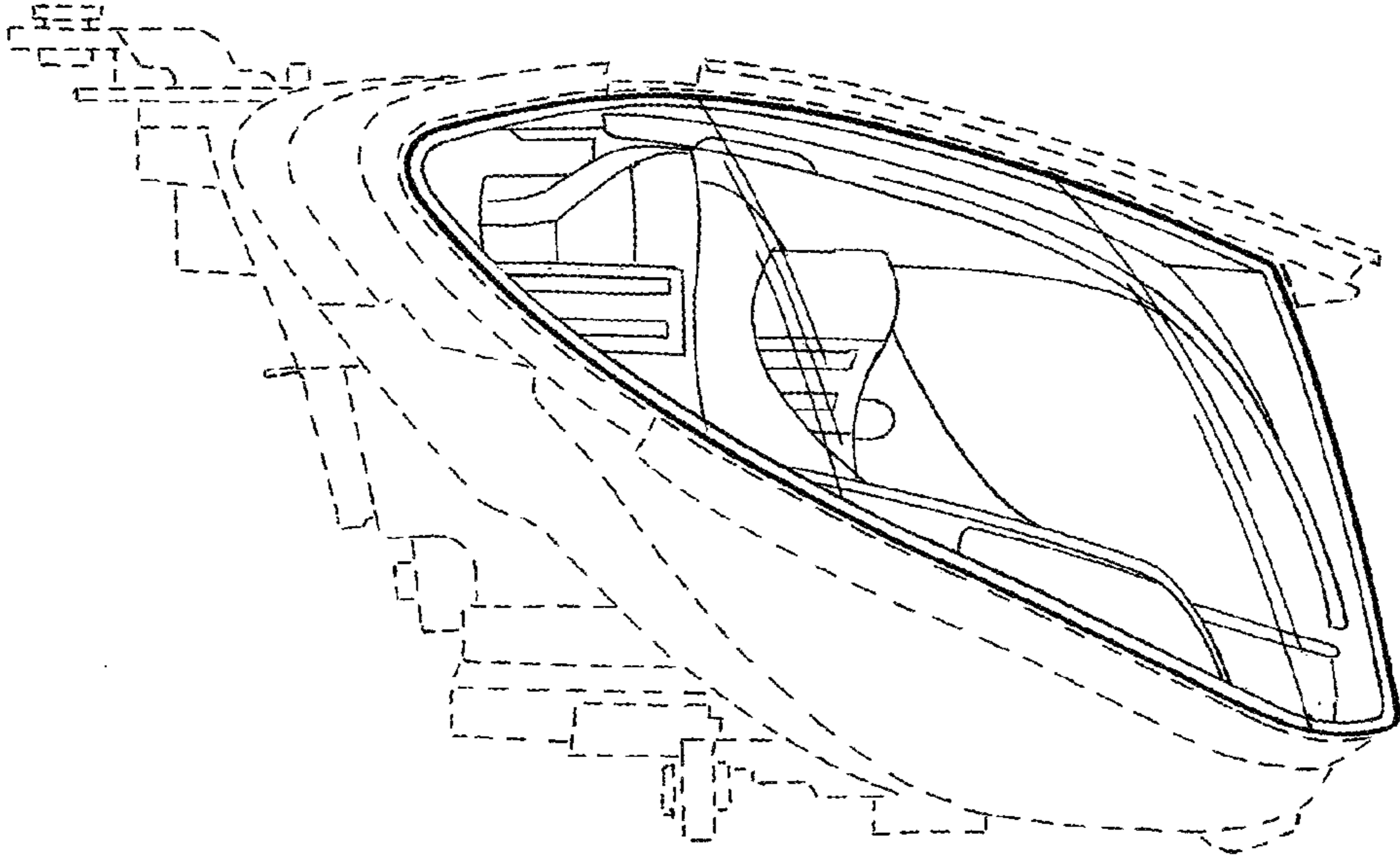


FIG. 7

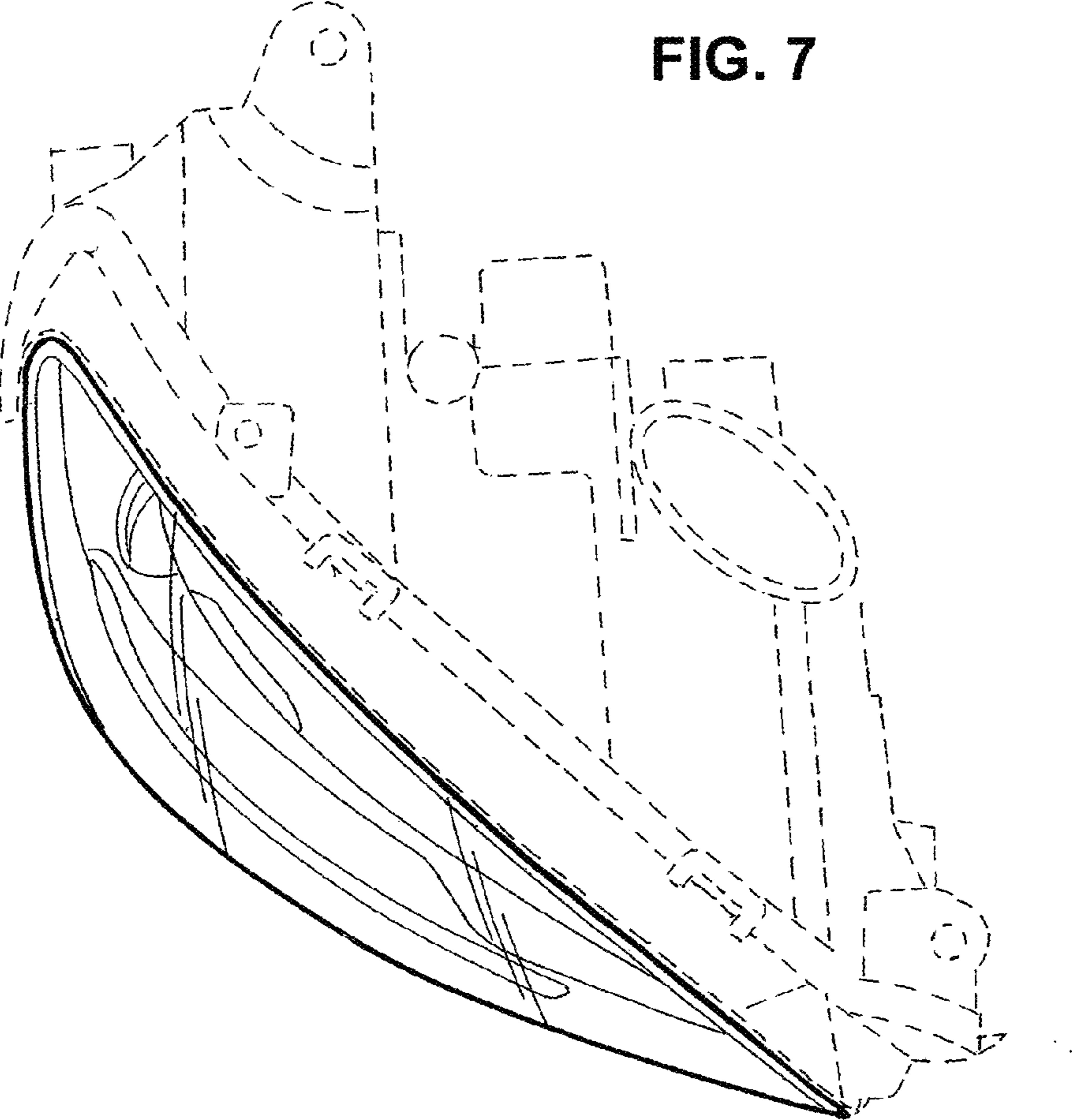


FIG. 8