



US00D757969S

(12) **United States Design Patent**
Fan

(10) **Patent No.:** **US D757,969 S**
(45) **Date of Patent:** **** May 31, 2016**

(54) **VEHICLE LAMP**

(56) **References Cited**

(71) Applicant: **Guangzhou Hanma Electronic Technology Co., Ltd.**, Guangzhou (CN)

(72) Inventor: **Shijun Fan**, Xiangfan (CN)

(73) Assignee: **Guangzhou Hanma Electronic Technology Co., Ltd.**, Guangzhou (CN)

(**) Term: **14 Years**

(21) Appl. No.: **29/516,752**

(22) Filed: **Feb. 5, 2015**

(51) **LOC (10) Cl.** **26-06**

(52) **U.S. Cl.**
USPC **D26/28**

(58) **Field of Classification Search**
USPC D26/28-36; 362/61, 80-83, 267-269,
362/459-468, 475-478, 485-487
CPC F21S 48/00; F21S 48/10; F21S 48/115;
F21S 48/225; F21S 48/1233; F21S 48/1266;
F21S 48/1388; F21S 48/2268; F21V 21/04
See application file for complete search history.

U.S. PATENT DOCUMENTS

| | | | | |
|--------------|---------|-----------|-------|--------|
| D601,727 S * | 10/2009 | Huang | | D26/28 |
| D605,789 S * | 12/2009 | Ko | | D26/28 |
| D626,670 S * | 11/2010 | Metzger | | D26/28 |
| D657,081 S * | 4/2012 | Alisaukas | | D26/28 |
| D670,839 S * | 11/2012 | Smarslik | | D26/28 |
| D694,920 S * | 12/2013 | Jurgens | | D26/28 |

* cited by examiner

Primary Examiner — Marcus Jackson

(74) *Attorney, Agent, or Firm* — Schmeiser, Olsen & Watts, LLP

(57) **CLAIM**

The ornamental design for a vehicle lamp, as shown and described.

DESCRIPTION

FIG. 1 is a Front elevational view of a vehicle lamp showing my new design;
FIG. 2 is a Rear elevational view thereof;
FIG. 3 is a Front perspective view thereof;
FIG. 4 is a Rear perspective view thereof;
FIG. 5 is a Top plan view thereof;
FIG. 6 is a Bottom plan view thereof;
FIG. 7 is a Left side view thereof; and,
FIG. 8 is a Right side view thereof.

1 Claim, 4 Drawing Sheets

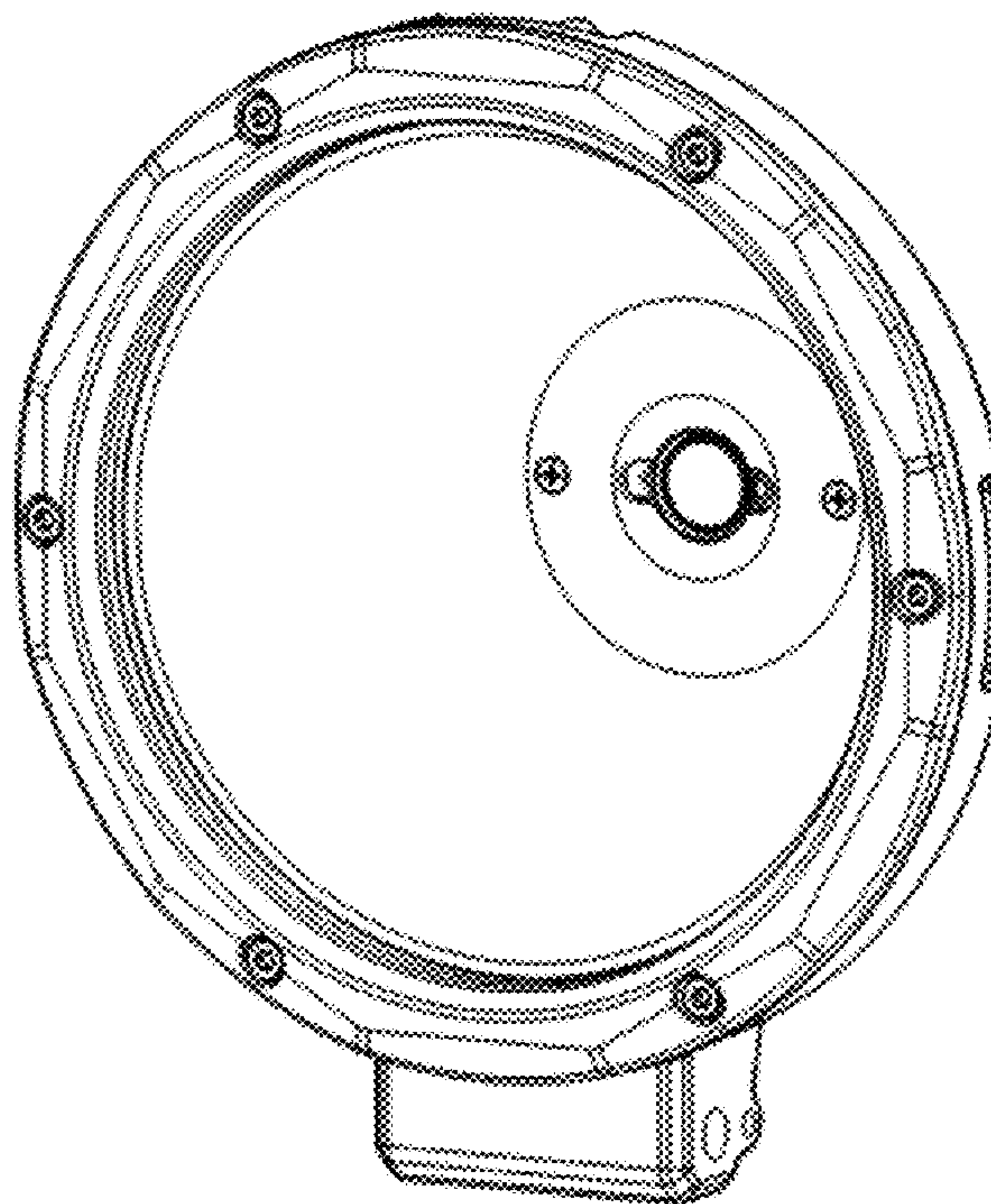


FIG. 1

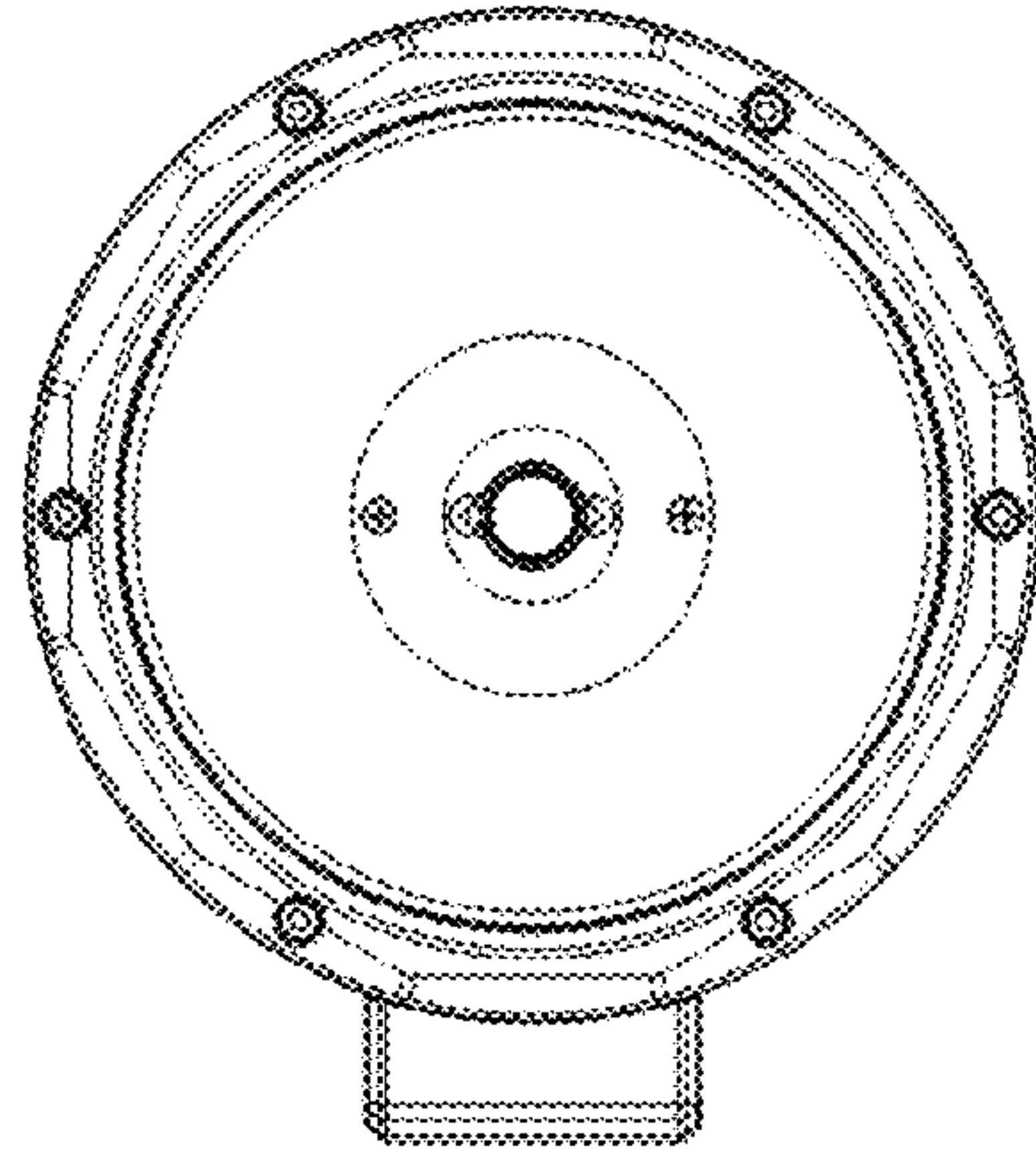


FIG. 2

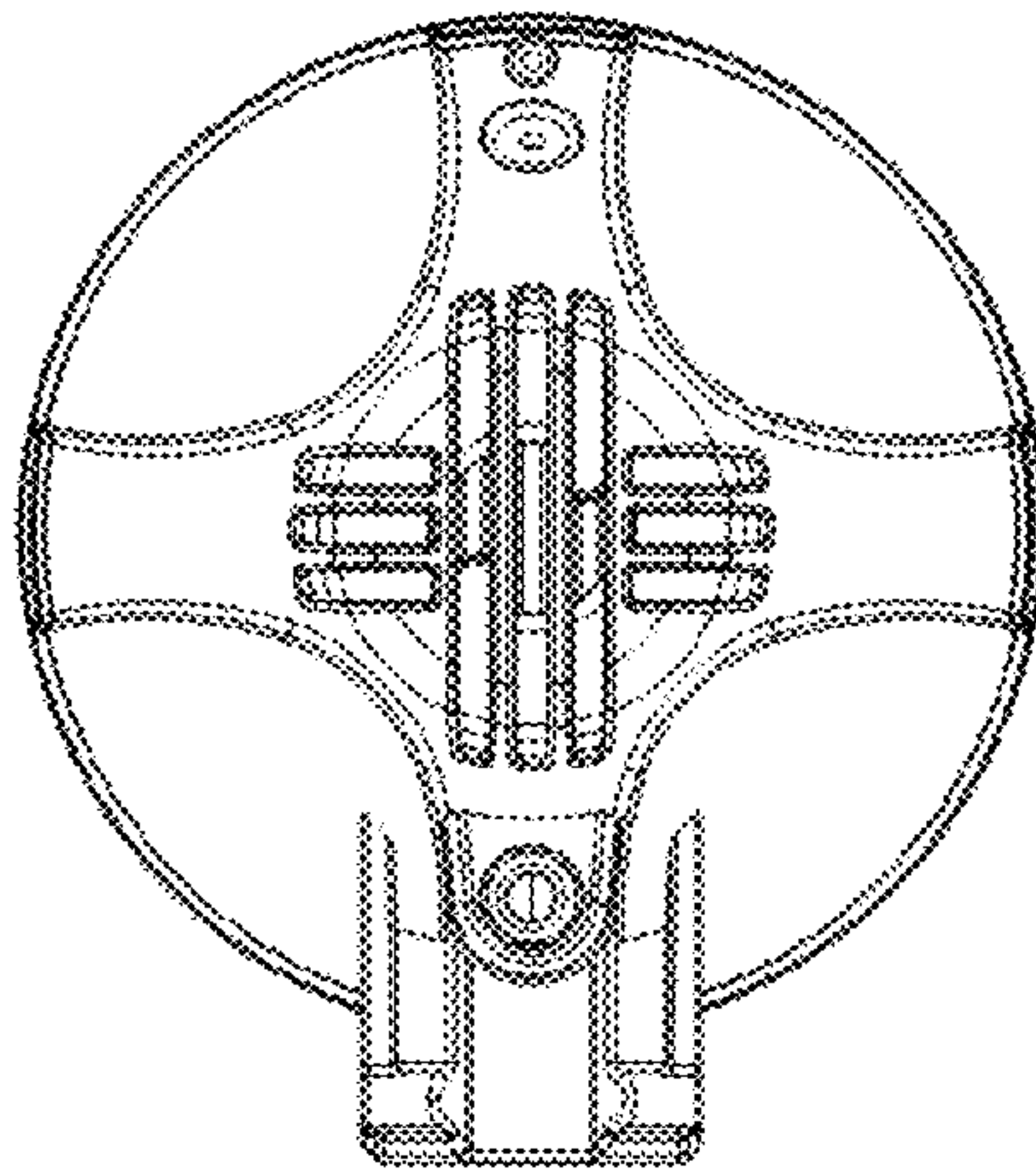


FIG. 3

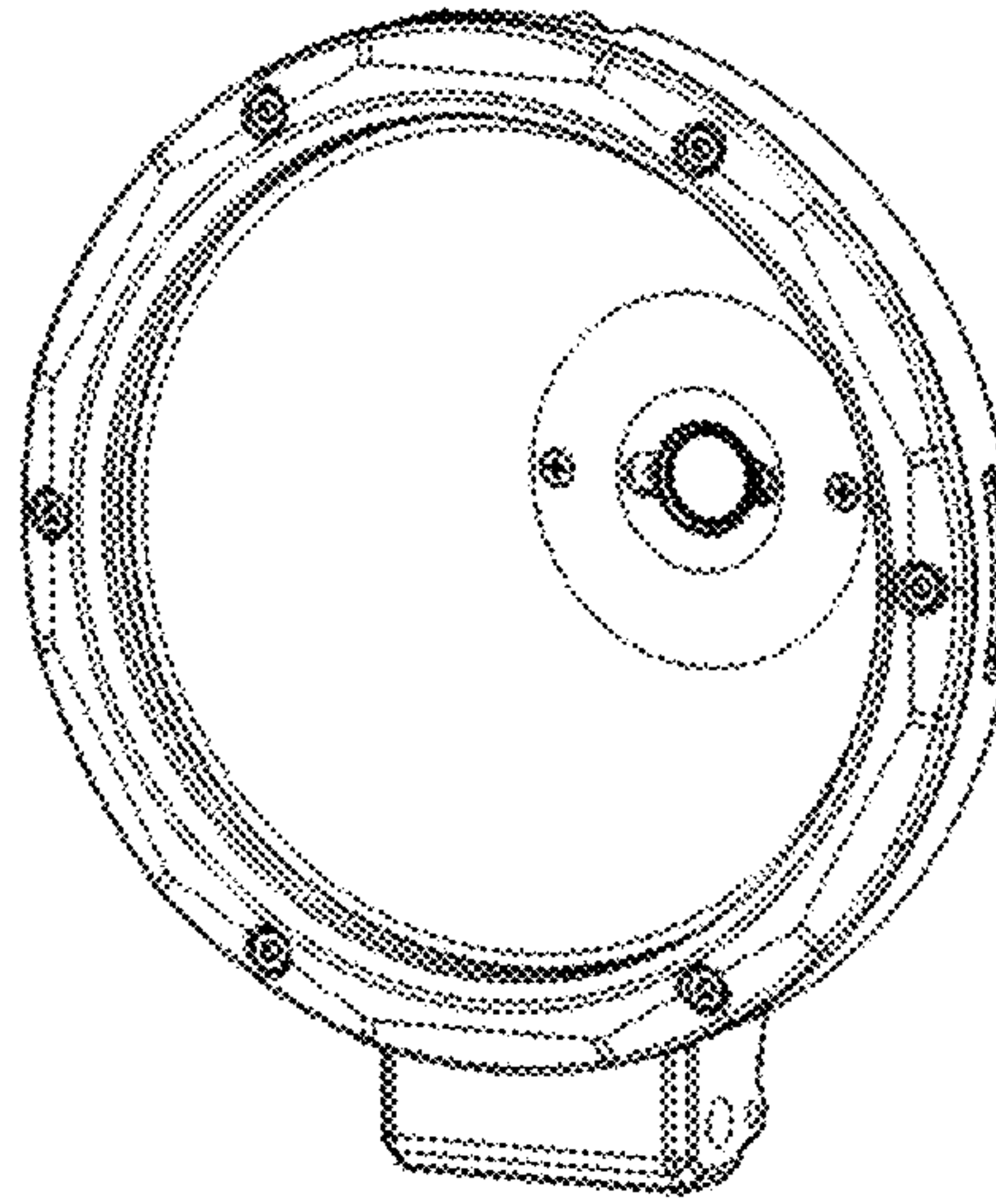


FIG. 4

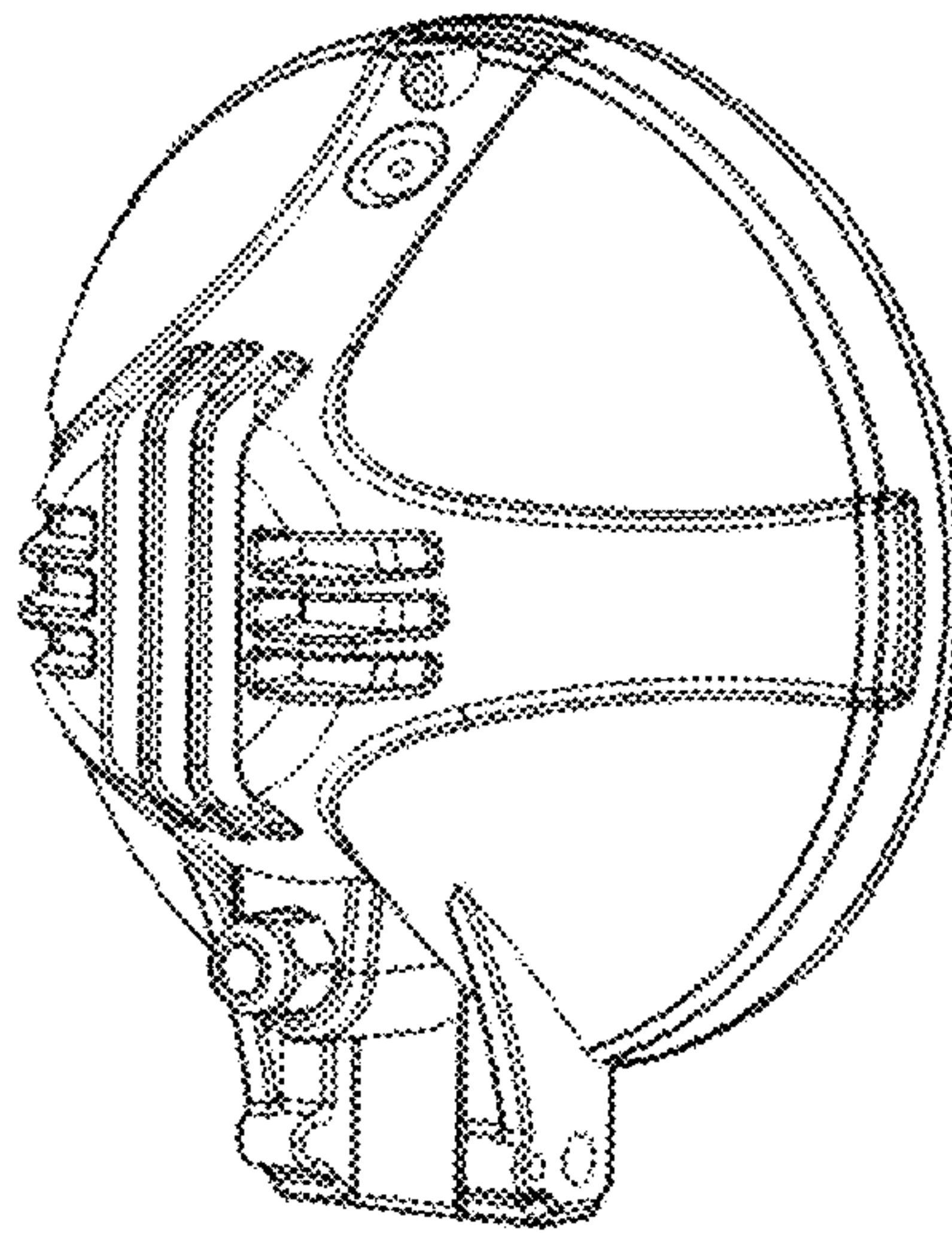


FIG. 5

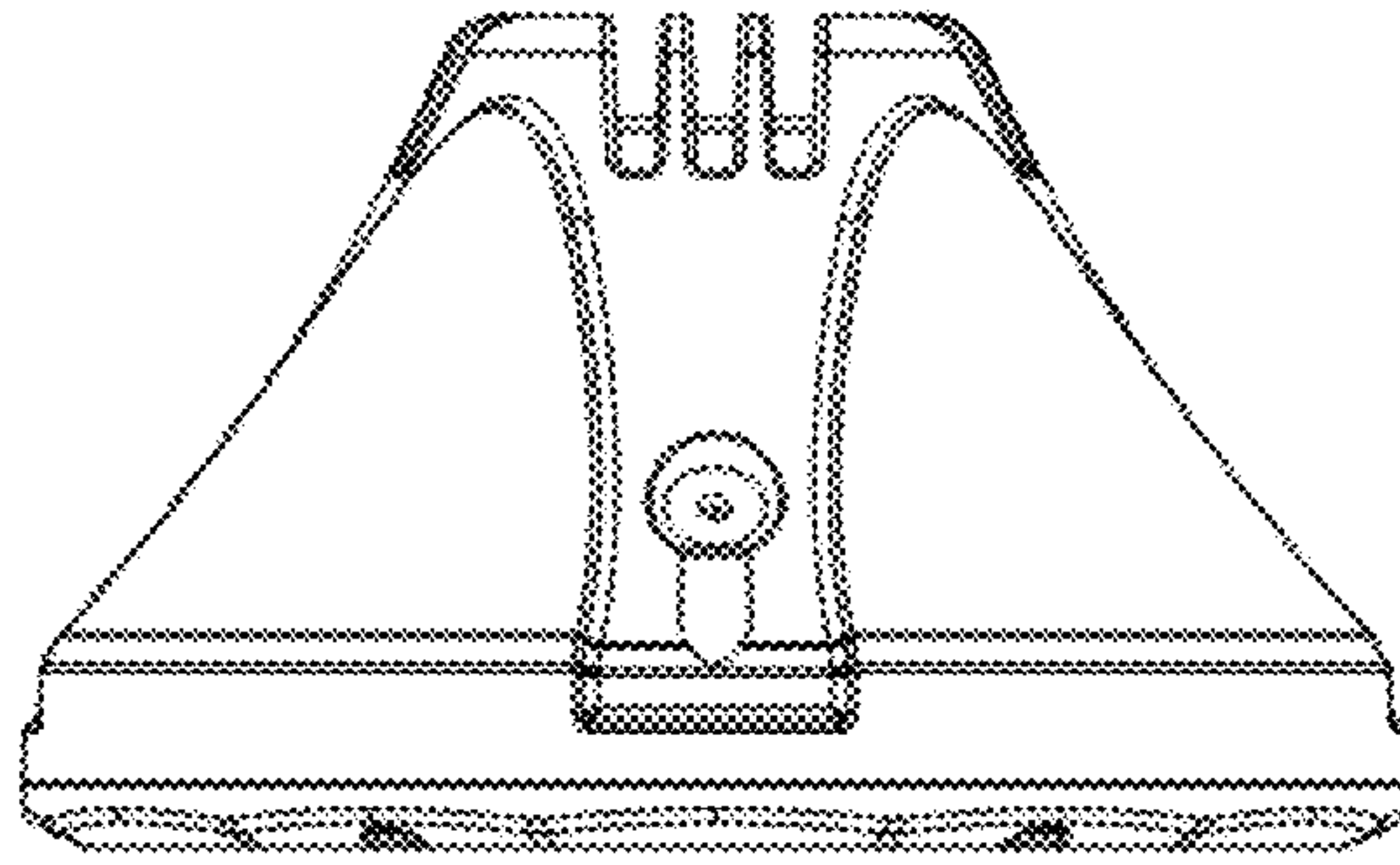


FIG. 6

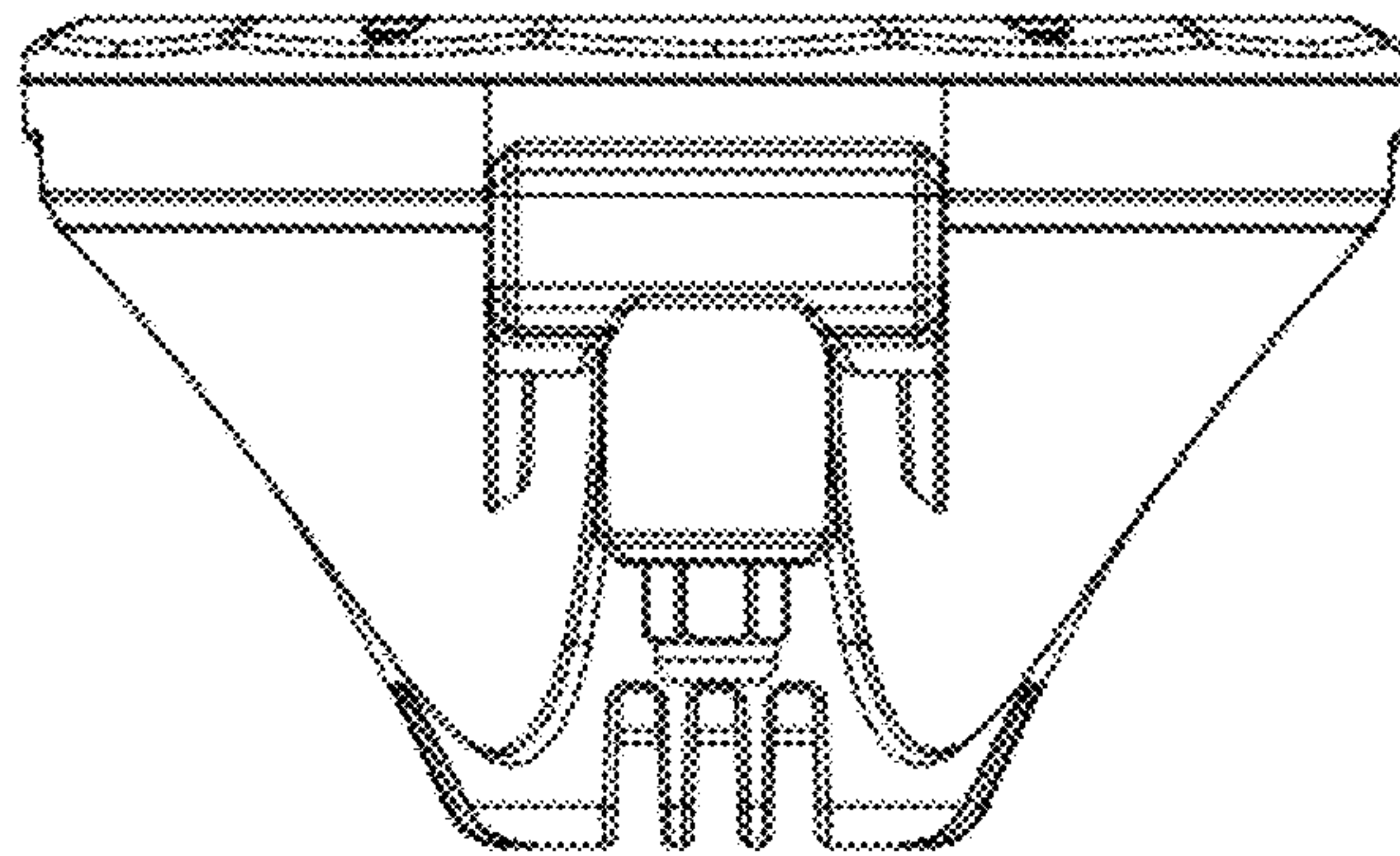


FIG. 7

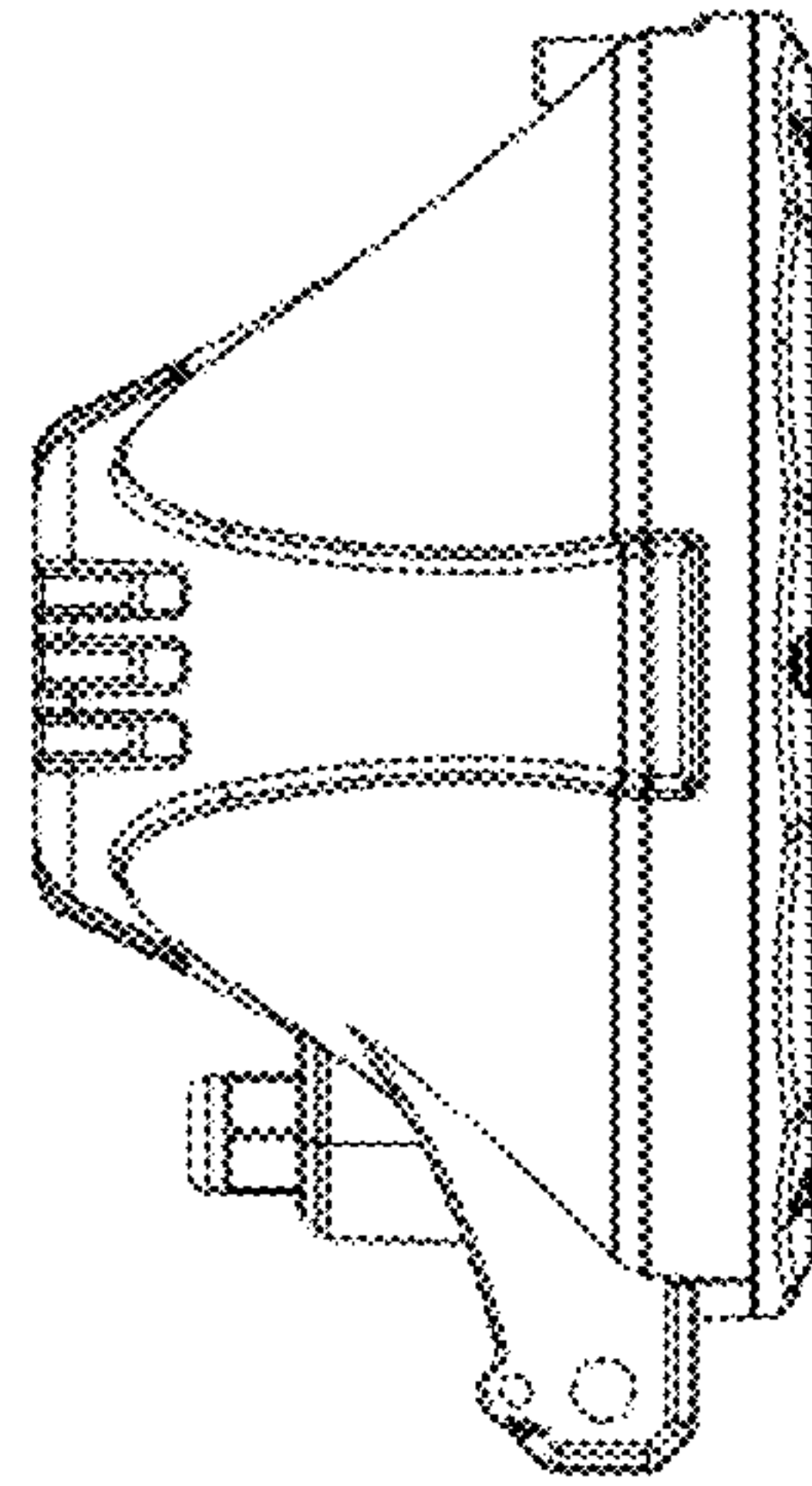


FIG. 8

