



US00D757968S

(12) **United States Design Patent**
Olson

(10) **Patent No.:** **US D757,968 S**
(45) **Date of Patent:** **** May 31, 2016**

(54) **BICYCLE LIGHT**

(71) Applicant: **Portland Design Works**, Portland, OR
(US)

(72) Inventor: **Erik Olson**, Portland, OR (US)

(73) Assignee: **Portland Design Works LLC**, Portland,
OR (US)

(**) Term: **14 Years**

(21) Appl. No.: **29/513,102**

(22) Filed: **Dec. 26, 2014**

(51) **LOC (10) Cl.** **26-04**

(52) **U.S. Cl.**
USPC **D26/28**

(58) **Field of Classification Search**
USPC D26/28-36; 362/459-468, 475-478,
362/485-487

CPC F21S 48/00; F21S 48/10; F21S 48/115;
F21S 48/225; F21S 48/1233; F21S 48/1266;
F21S 48/1388; F21S 48/2268; F21V 21/04

See application file for complete search history.

(56) **References Cited**

U.S. PATENT DOCUMENTS

D357,989 S * 5/1995 Nagano D26/28
D670,838 S * 11/2012 Ueda D26/28
D678,562 S * 3/2013 Chan D26/28

* cited by examiner

Primary Examiner — Marcus Jackson

(74) *Attorney, Agent, or Firm* — Alleman Hall McCoy
Russell & Tuttle LLP

(57) **CLAIM**

The ornamental design for a bicycle light, as shown and
described.

DESCRIPTION

FIG. 1 is a top view of an ornamental design for a bicycle light
showing my new design.

FIG. 2 is a right side view thereof, the left side being a mirror
image thereof.

FIG. 3 is a bottom view thereof.

FIG. 4 is a back view thereof.

FIG. 5 is a front view thereof; and,

FIG. 6 is a right side perspective view thereof.

1 Claim, 4 Drawing Sheets

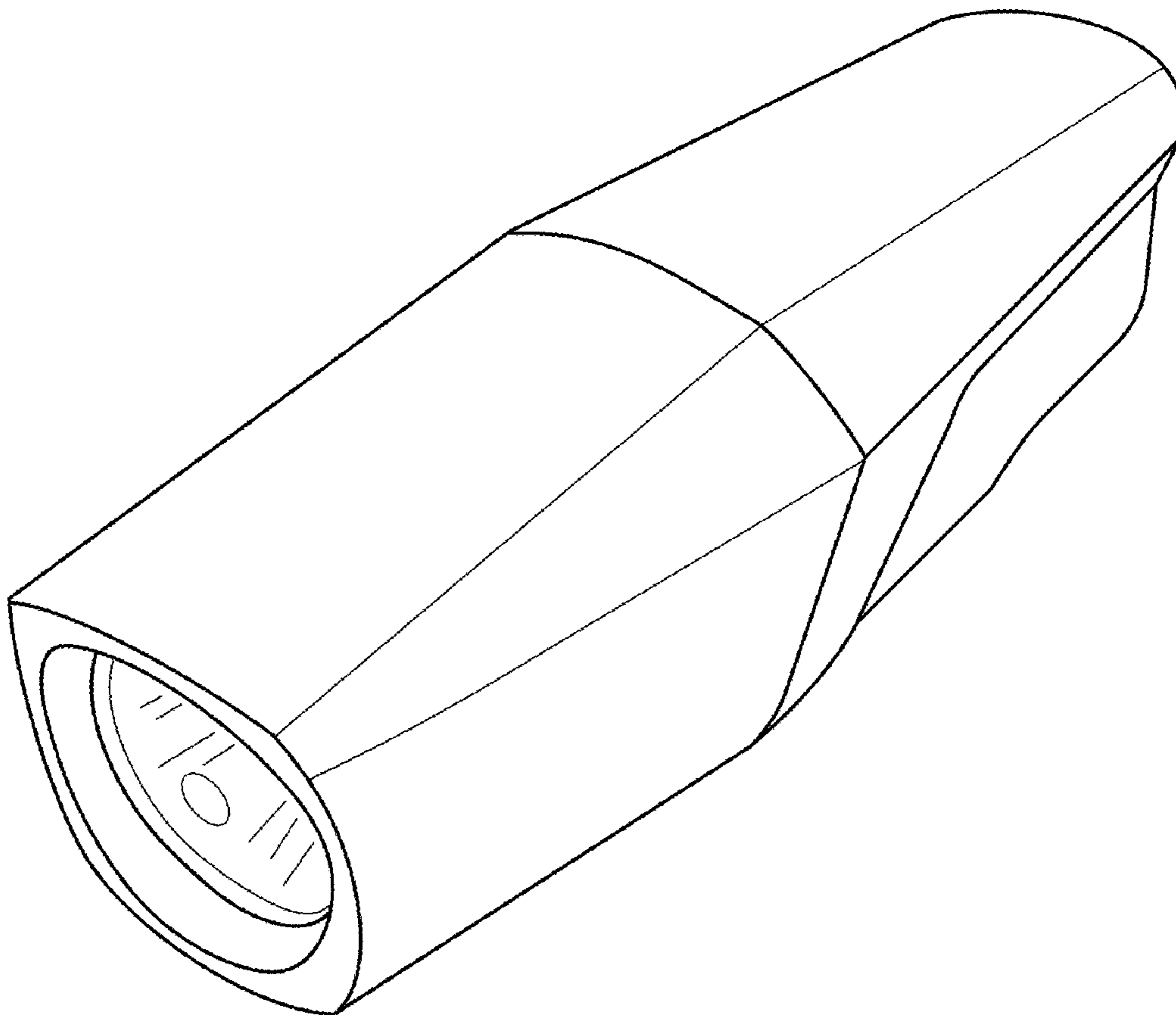


FIG. 1

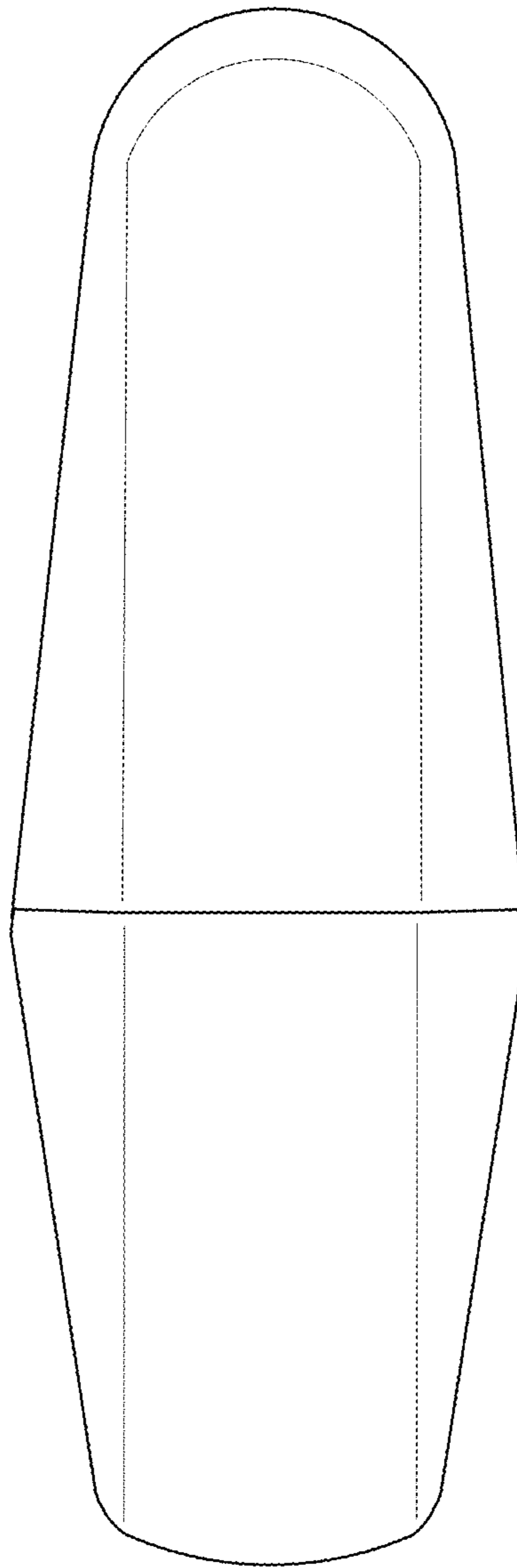


FIG. 2

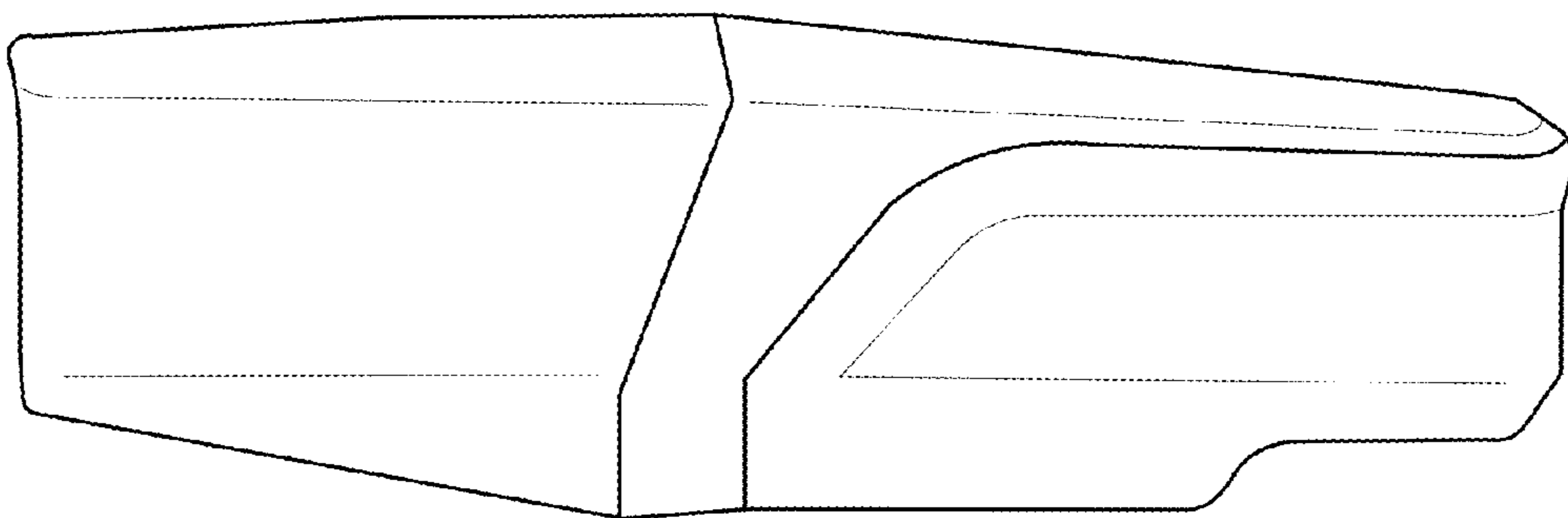


FIG. 3

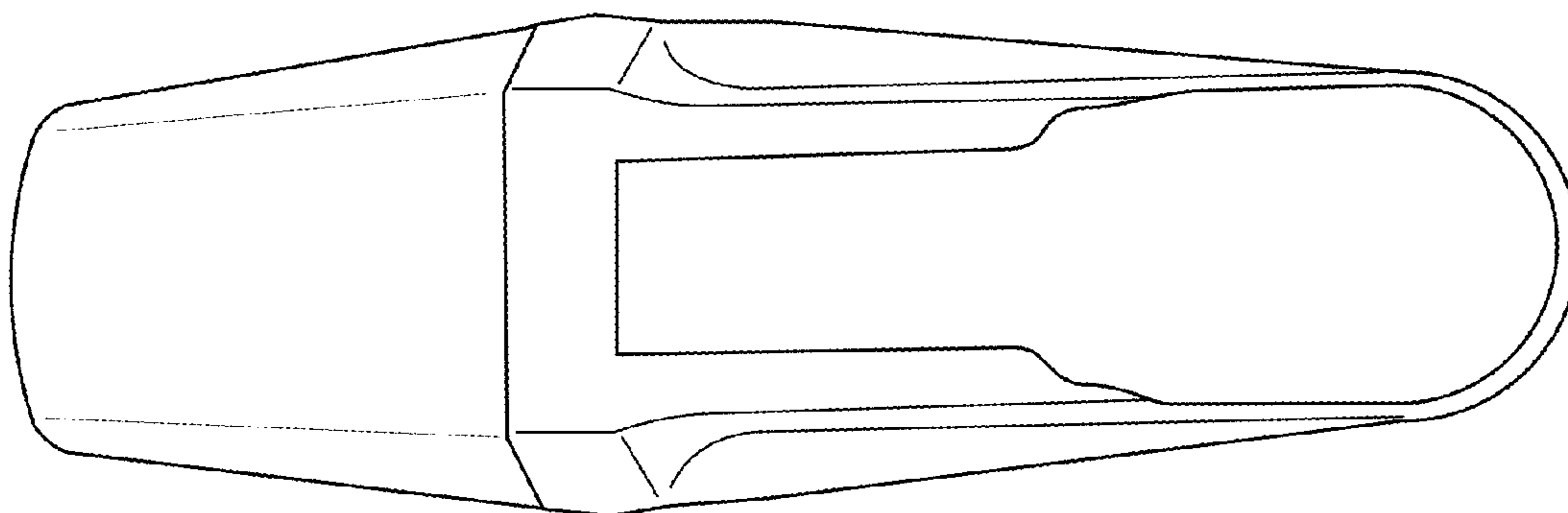


FIG. 4

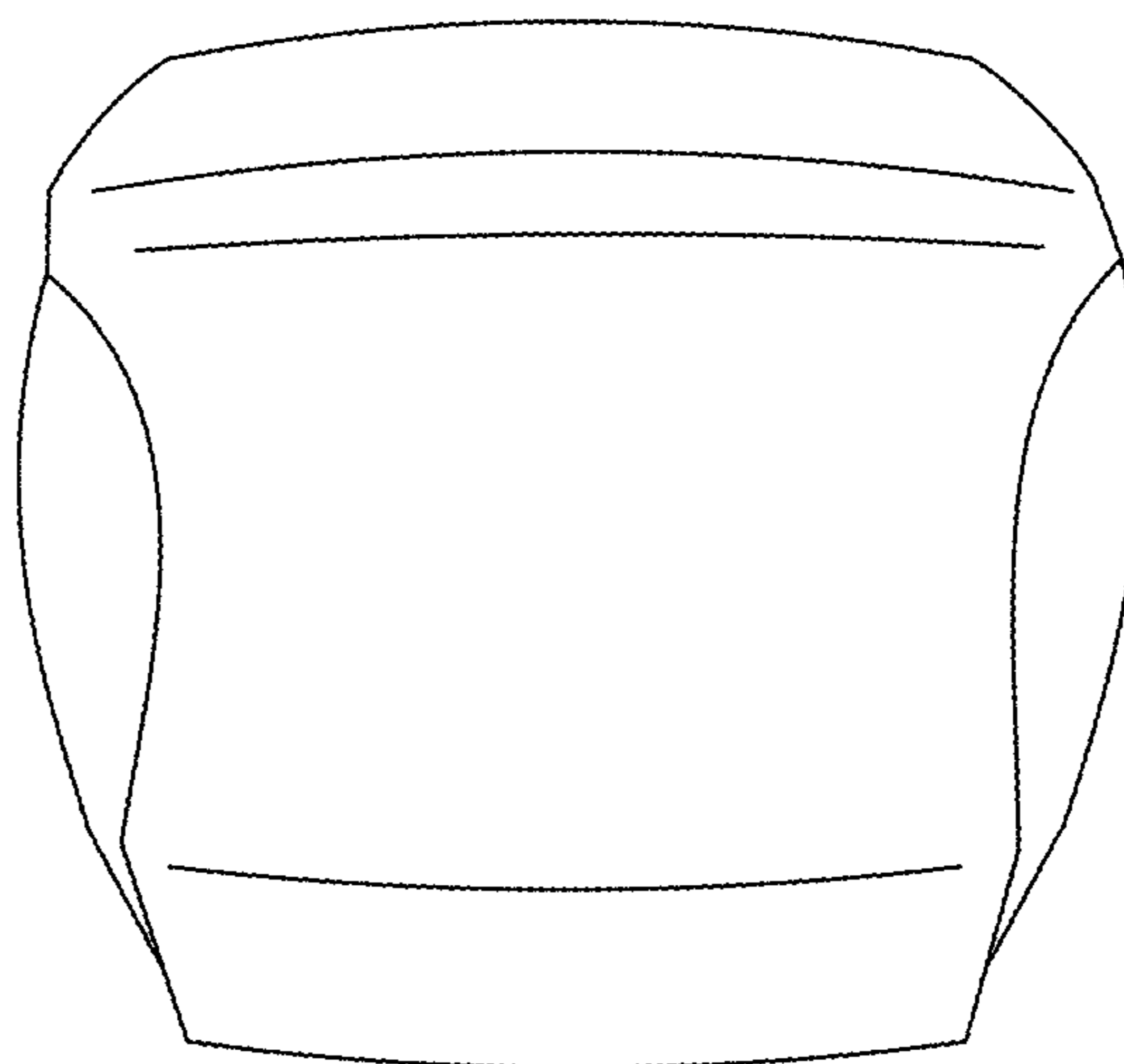


FIG. 5

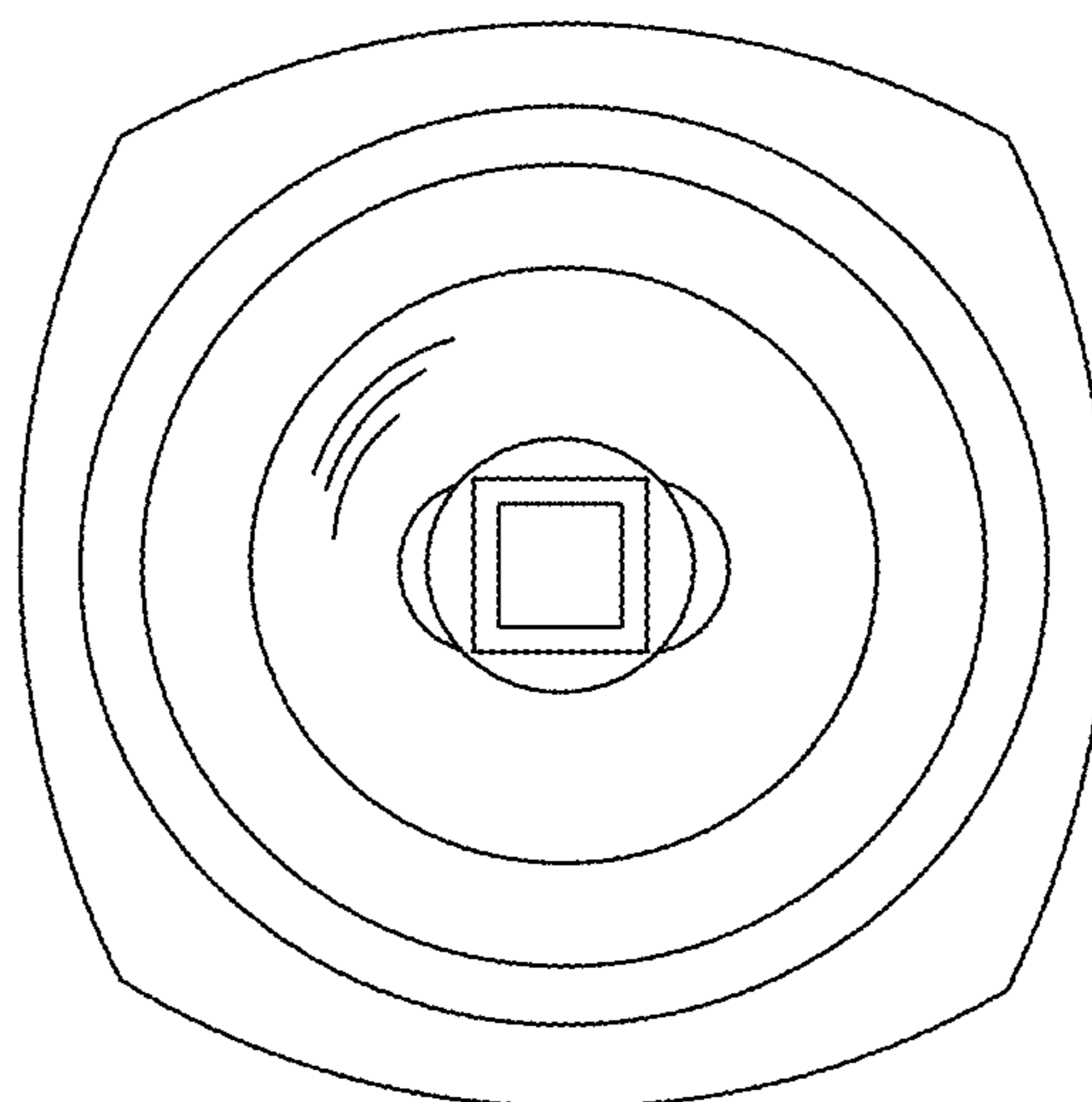


FIG. 6

