

US00D757967S

(12) **United States Design Patent**
Kim et al.

(10) **Patent No.:** **US D757,967 S**
(45) **Date of Patent:** **** May 31, 2016**

(54) **VEHICLE LAMP**

(56) **References Cited**

(71) Applicant: **HYUNDAI MOBIS CO., LTD.**, Seoul (KR)

U.S. PATENT DOCUMENTS

(72) Inventors: **Jin A Kim**, Yongin-si (KR); **Tae Kyoung Jin**, Yongin-si (KR)

D550,383 S *	9/2007	Asai	D26/28
D558,367 S *	12/2007	Lukasak	D26/28
D650,500 S *	12/2011	Futschik	D26/28
D662,634 S *	6/2012	Koizumi	D26/28
D663,875 S *	7/2012	Kono	D26/28
D723,723 S *	3/2015	Goto	D26/28

(73) Assignee: **HYUNDAI MOBIS CO., LTD.**, Seoul (KR)

* cited by examiner

Primary Examiner — Marcus Jackson

(**) Term: **14 Years**

(74) *Attorney, Agent, or Firm* — NSIP Law

(57) **CLAIM**

We claim the ornamental design for a vehicle lamp, as shown and described.

(21) Appl. No.: **29/510,648**

DESCRIPTION

(22) Filed: **Dec. 2, 2014**

FIG. 1 is a front perspective view of a vehicle lamp showing our new design;
FIG. 2 is a front view thereof;
FIG. 3 is a rear view thereof;
FIG. 4 is a left-side view thereof;
FIG. 5 is a right-side view thereof;
FIG. 6 is a top view thereof;
FIG. 7 is a bottom view thereof;
FIG. 8 is a left-side cross-sectional view thereof;
FIG. 9 is a right-side cross-sectional view thereof; and,
FIG. 10 is an enlargement of the encircled portion of the vehicle lamp shown in FIG. 2.

(30) **Foreign Application Priority Data**

Oct. 22, 2014 (KR) 30-2014-0050599

(51) **LOC (10) Cl.** **26-06**

(52) **U.S. Cl.**
USPC **D26/28**

(58) **Field of Classification Search**
USPC D26/28-36; 362/459-468, 475-478, 362/485-487
CPC F21S 48/00; F21S 48/10; F21S 48/115; F21S 48/225; F21S 48/1233; F21S 48/1266; F21S 48/1388; F21S 48/2268; F21V 21/04
See application file for complete search history.

The broken lines in the drawing figures show portions of the vehicle lamp which form no part of the claimed design. The dot-dot-dash broken lines encircling portions of the claimed design that are illustrated in enlargements form no part of the claimed design.

1 Claim, 10 Drawing Sheets

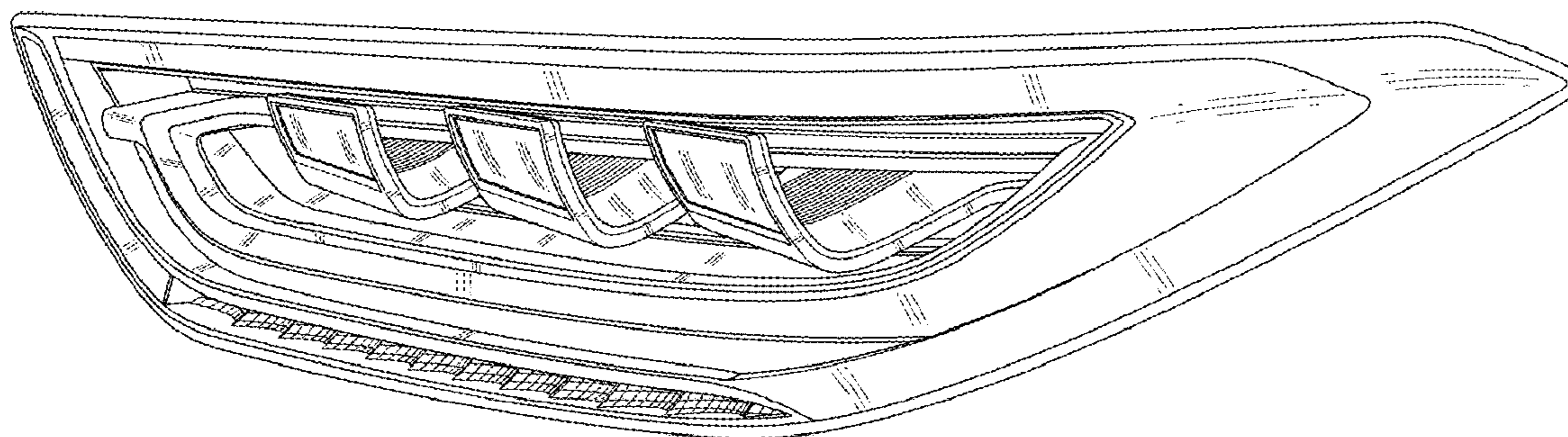


FIG. 1

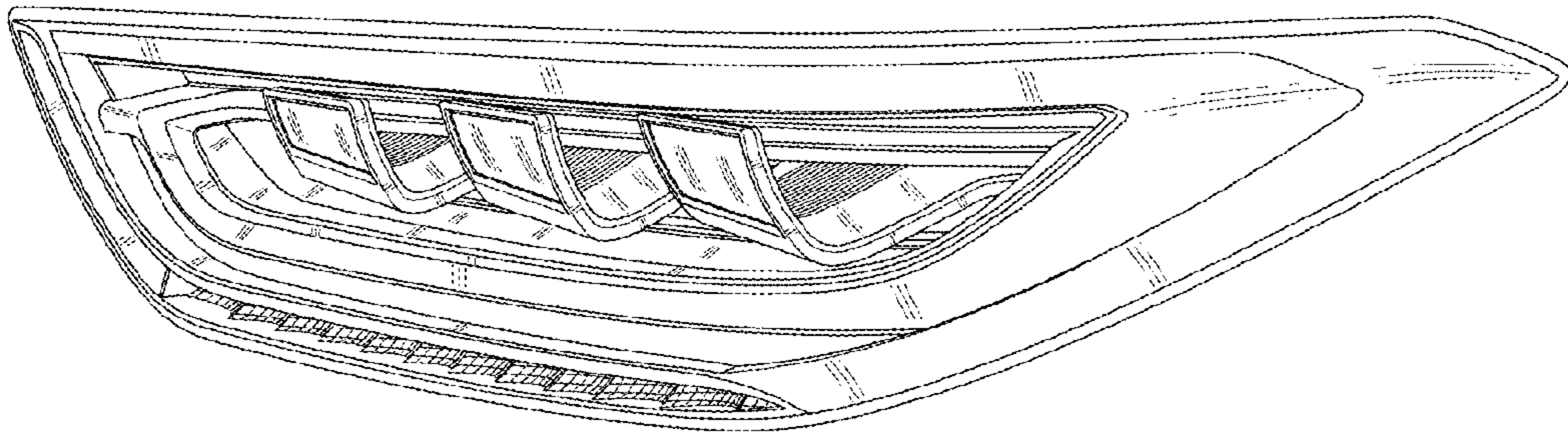


FIG. 2

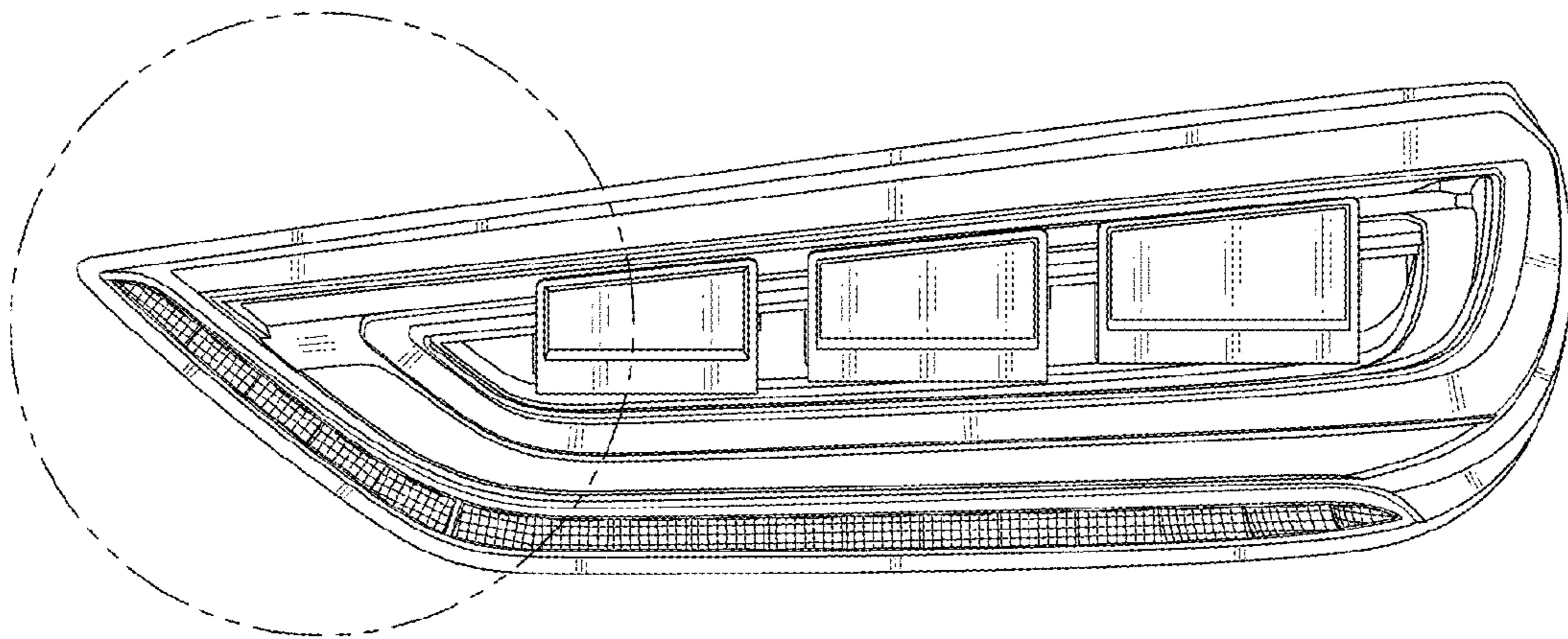


FIG. 3

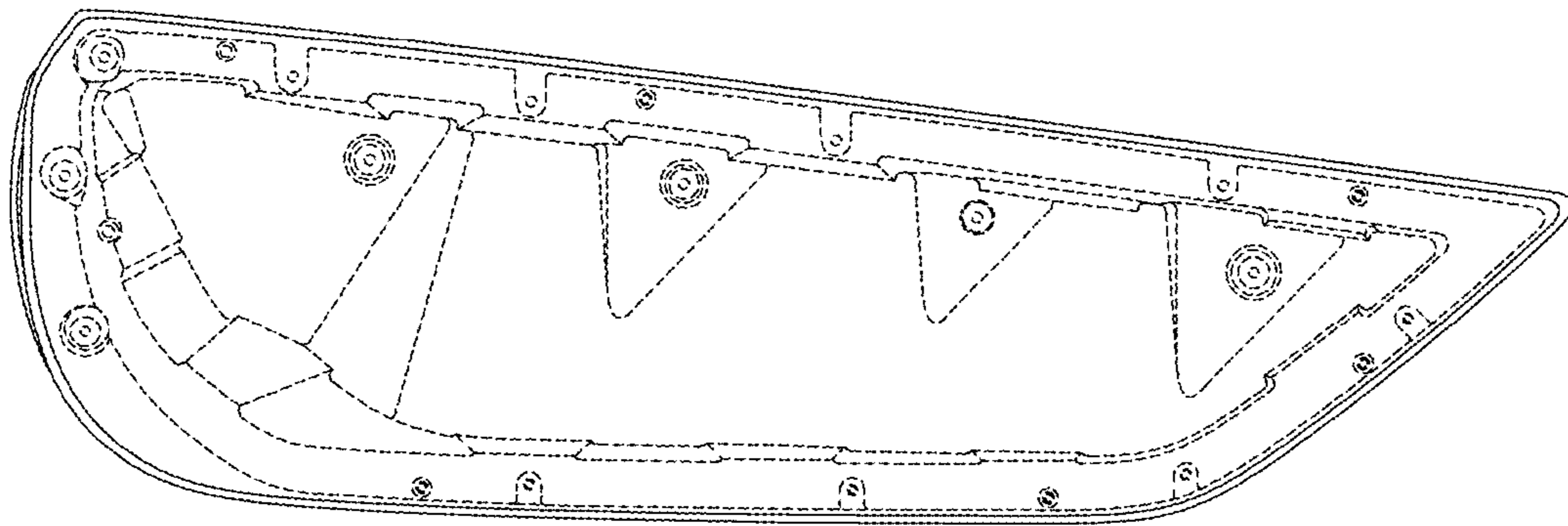


FIG. 4

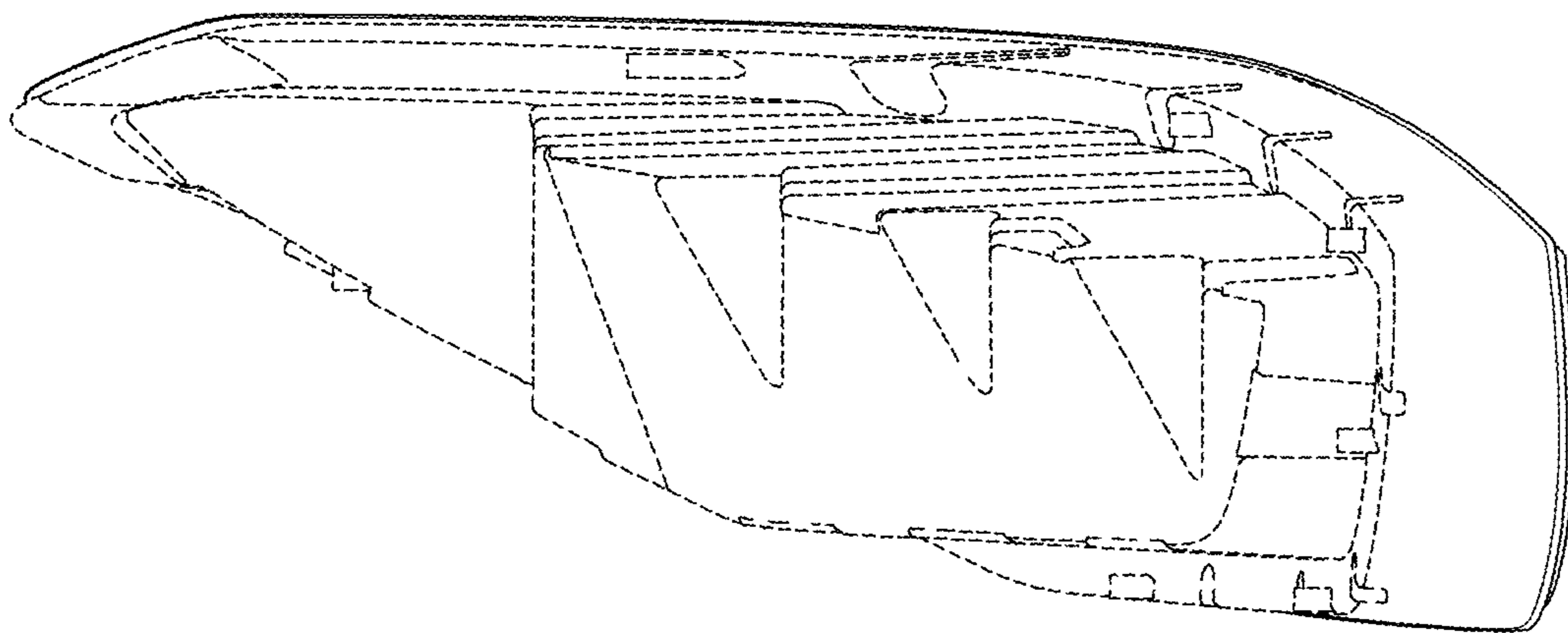


FIG. 5

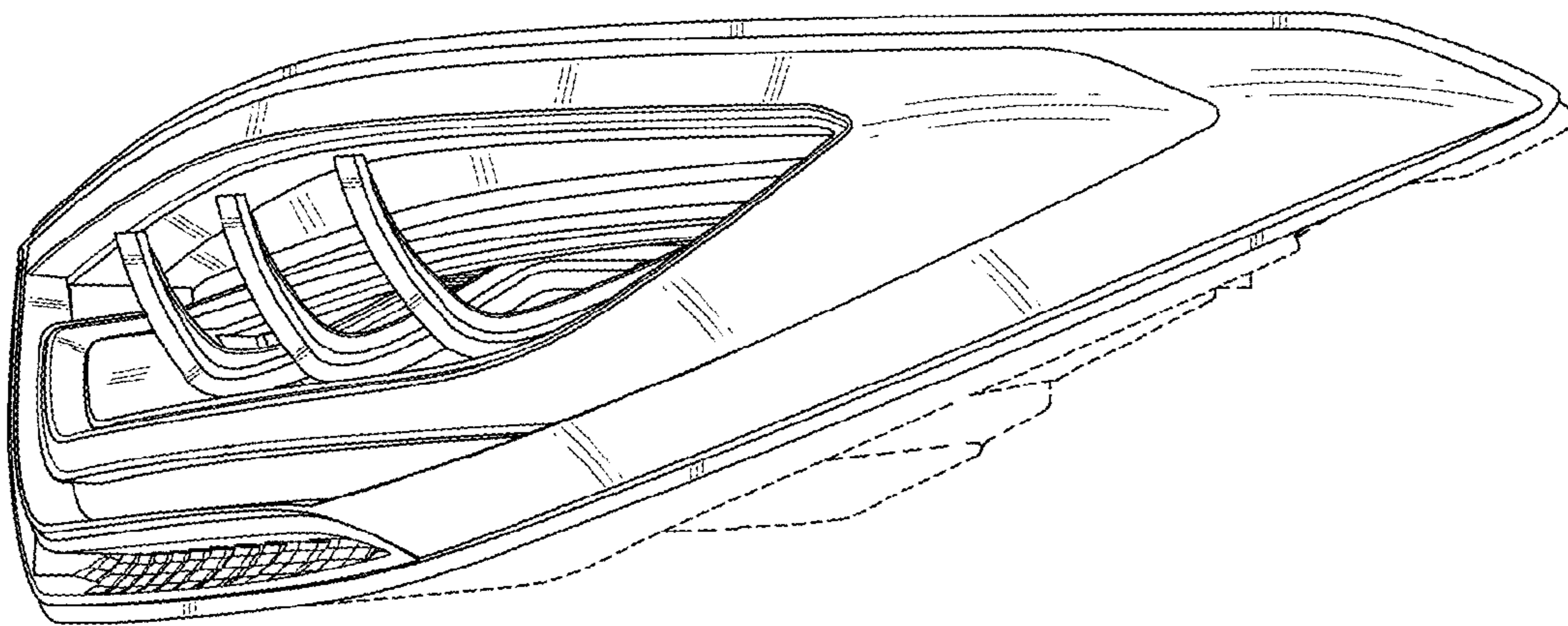


FIG. 6

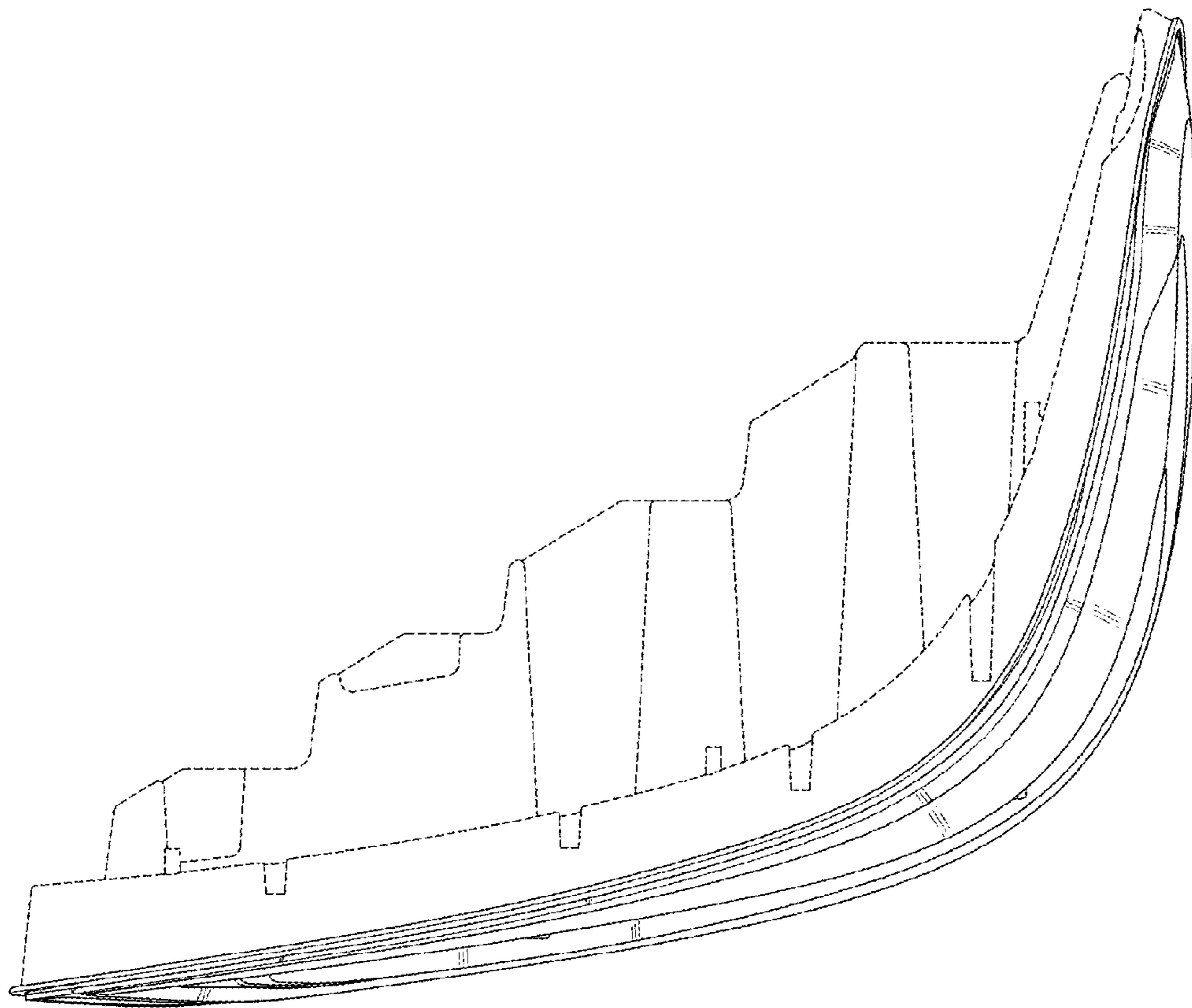


FIG. 7

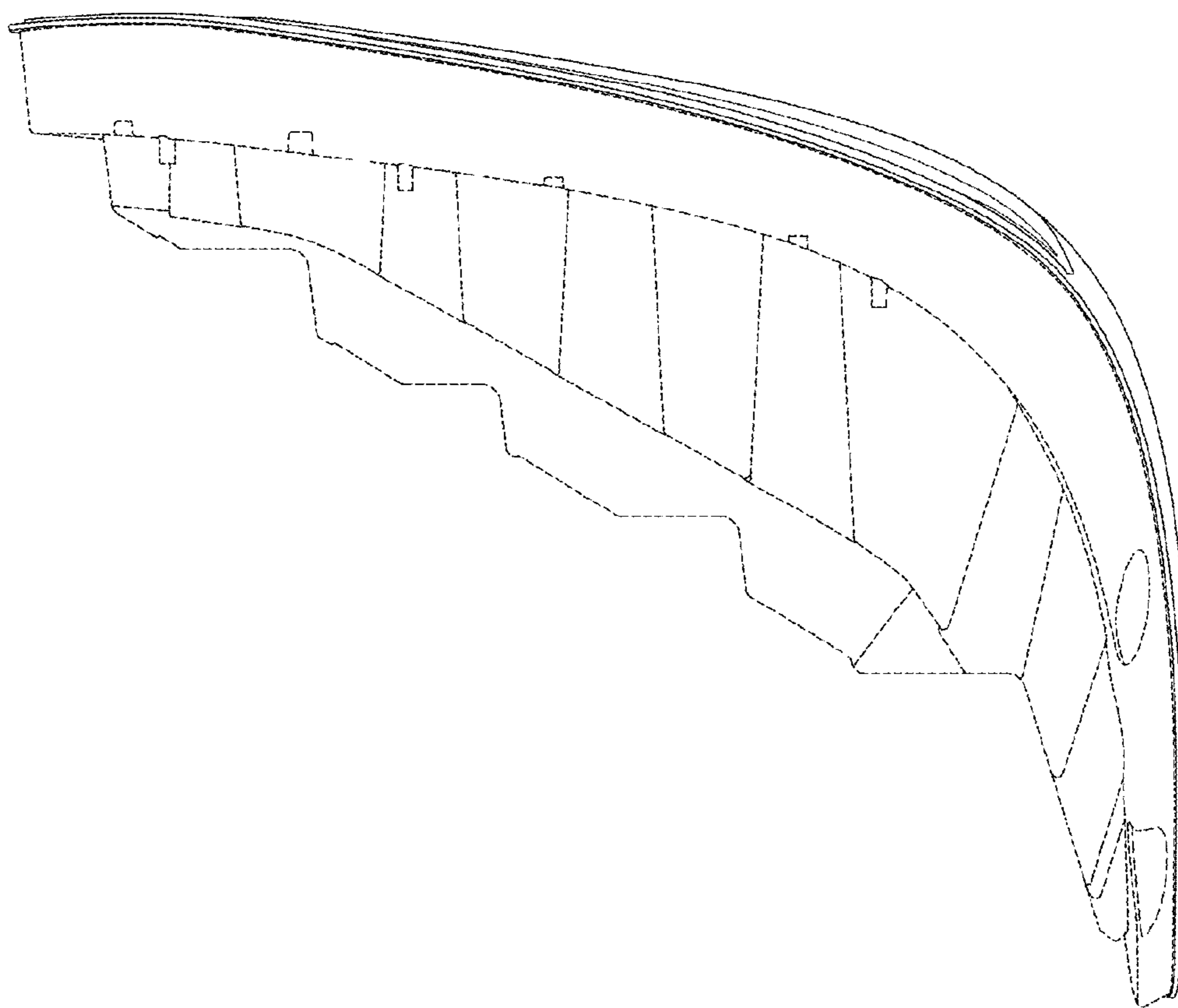


FIG. 8

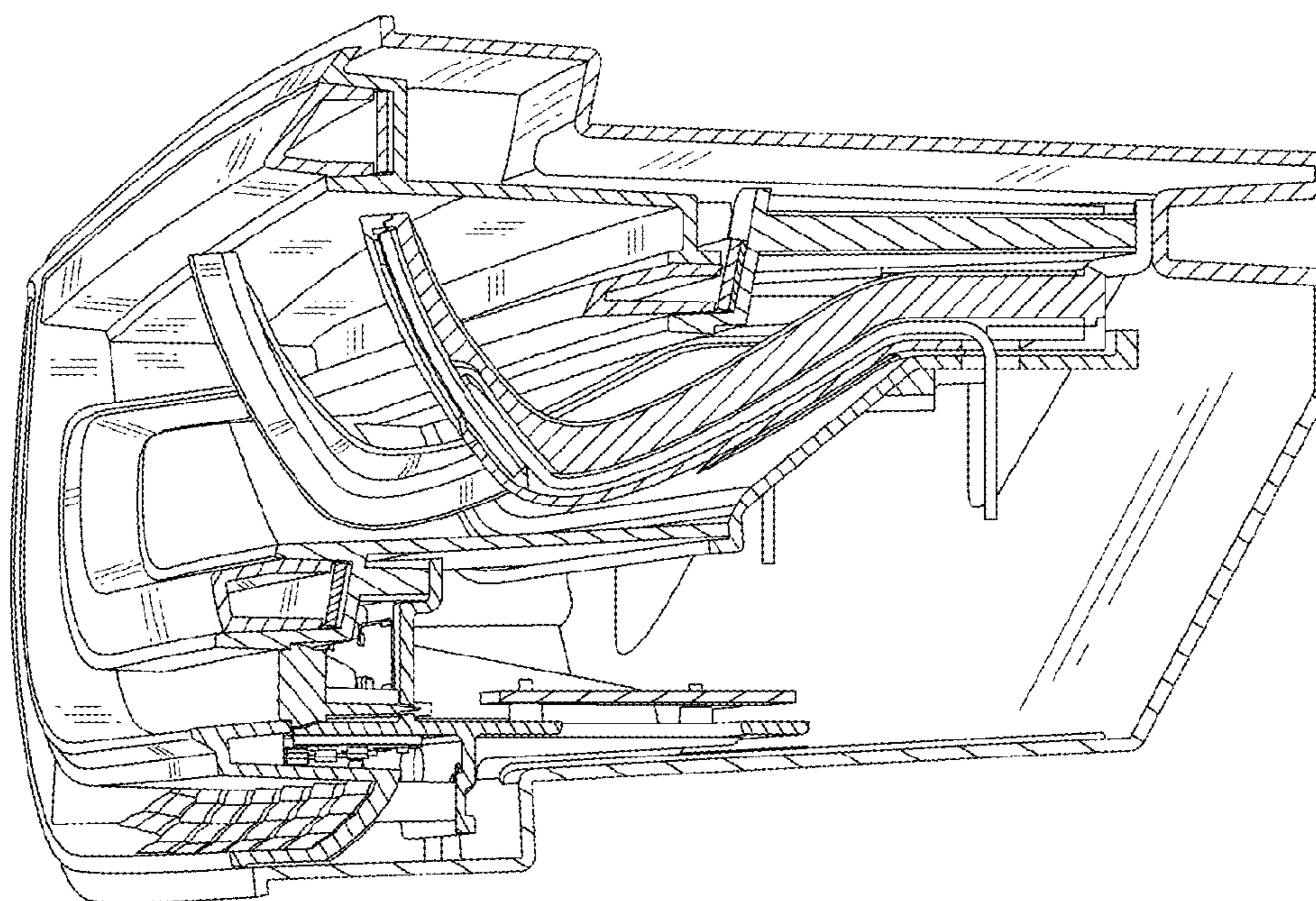


FIG. 9

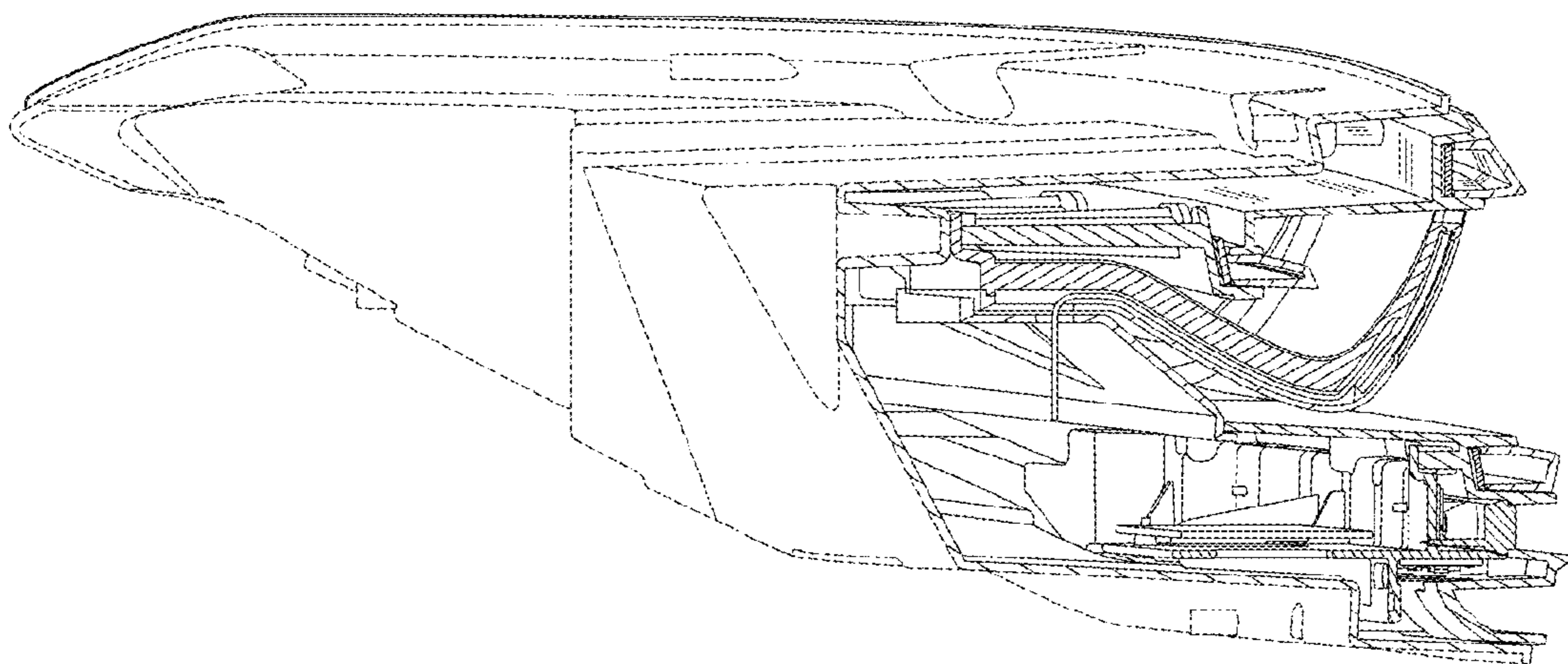


FIG. 10

