



US00D757966S

(12) **United States Design Patent**  
**Kim et al.**

(10) **Patent No.:** **US D757,966 S**  
(45) **Date of Patent:** **\*\* May 31, 2016**

(54) **LED MODULE FOR A CAR REAR LAMP**

(56) **References Cited**

(71) Applicant: **HYUNDAI MOBIS CO., LTD.**, Seoul (KR)

U.S. PATENT DOCUMENTS

(72) Inventors: **Jin A Kim**, Yongin-si (KR); **Tae Kyoung Jin**, Yongin-si (KR)

D542,445 S *	5/2007	Matsunami	.....	D26/28
D550,380 S *	9/2007	Lin	.....	D26/28
D552,769 S *	10/2007	Leclercq	.....	D26/28
D562,477 S *	2/2008	Hsu	.....	D26/28
D570,015 S *	5/2008	Hsu	.....	D26/28

(73) Assignee: **HYUNDAI MOBIS CO., LTD.**, Seoul (KR)

\* cited by examiner

(\*\*) Term: **14 Years**

*Primary Examiner* — Marcus Jackson

(21) Appl. No.: **29/510,469**

(74) *Attorney, Agent, or Firm* — NSIP Law

(22) Filed: **Nov. 28, 2014**

(57) **CLAIM**

We claim the ornamental design for a LED module for a car rear lamp, as shown and described.

(30) **Foreign Application Priority Data**

**DESCRIPTION**

Oct. 22, 2014 (KR) ..... 30-2014-0050597

FIG. 1 is a front perspective view of a LED module for a car rear lamp showing our new design; FIG. 2 is a front view thereof; FIG. 3 is a rear view thereof; FIG. 4 is a left-side view thereof; FIG. 5 is a right-side view thereof; FIG. 6 is a top view thereof; FIG. 7 is a bottom view thereof; and, FIG. 8 is another front perspective view in which a LED module for a car rear lamp is shown in an example environment.

(51) **LOC (10) Cl.** ..... **26-04**

(52) **U.S. Cl.**  
USPC ..... **D26/28**

(58) **Field of Classification Search**  
USPC ..... D26/28-36; 362/459-468, 475-478, 362/485-487

CPC ..... F21S 48/00; F21S 48/10; F21S 48/115; F21S 48/225; F21S 48/1233; F21S 48/1266; F21S 48/1388; F21S 48/2268; F21V 21/04

See application file for complete search history.

The broken lines in FIG. 8 show portions of the LED module for a car rear lamp which form no part of the claimed design.

**1 Claim, 8 Drawing Sheets**

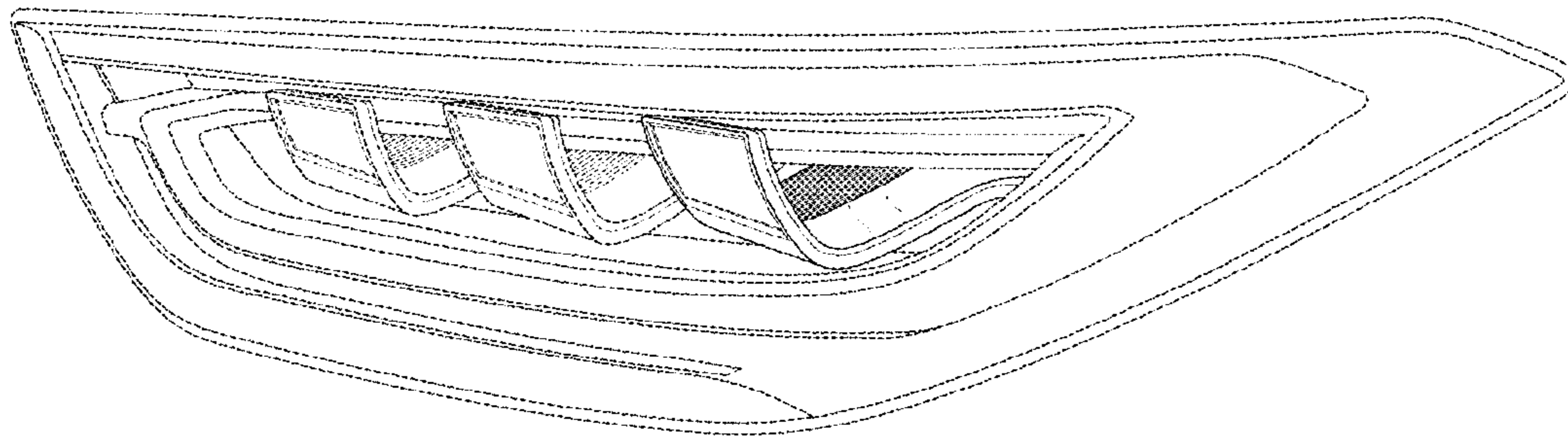


Fig. 1

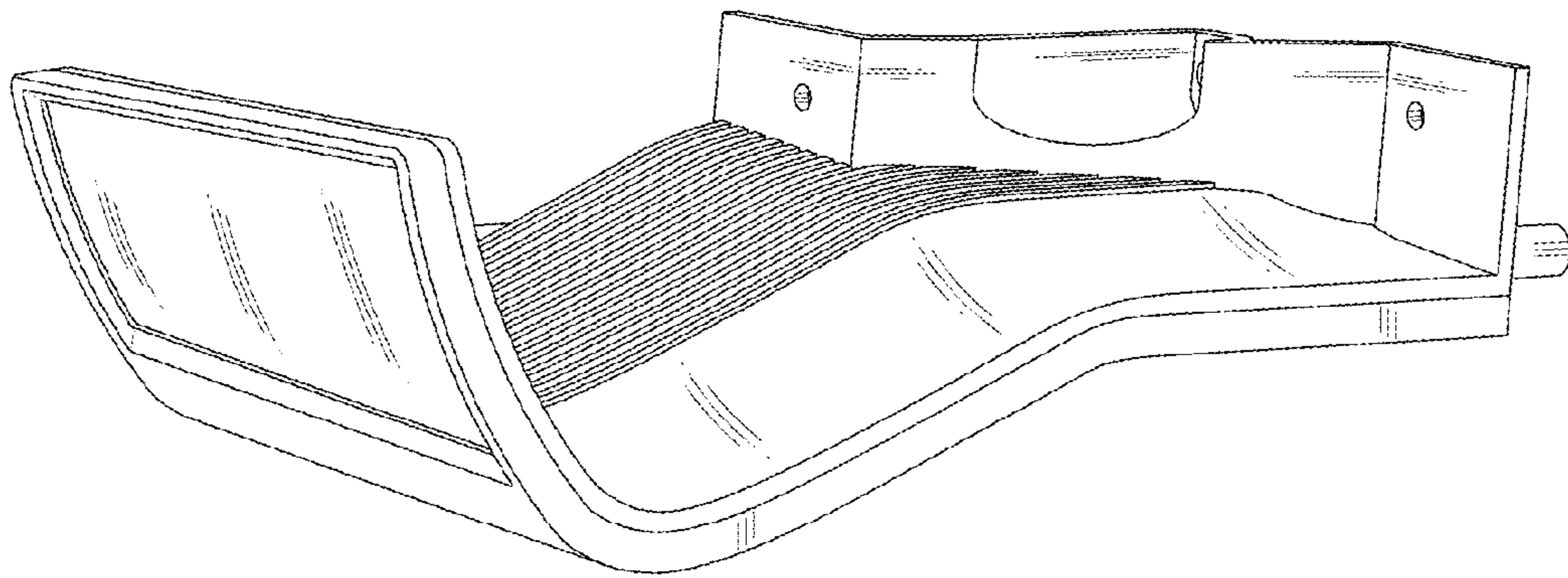


Fig. 2

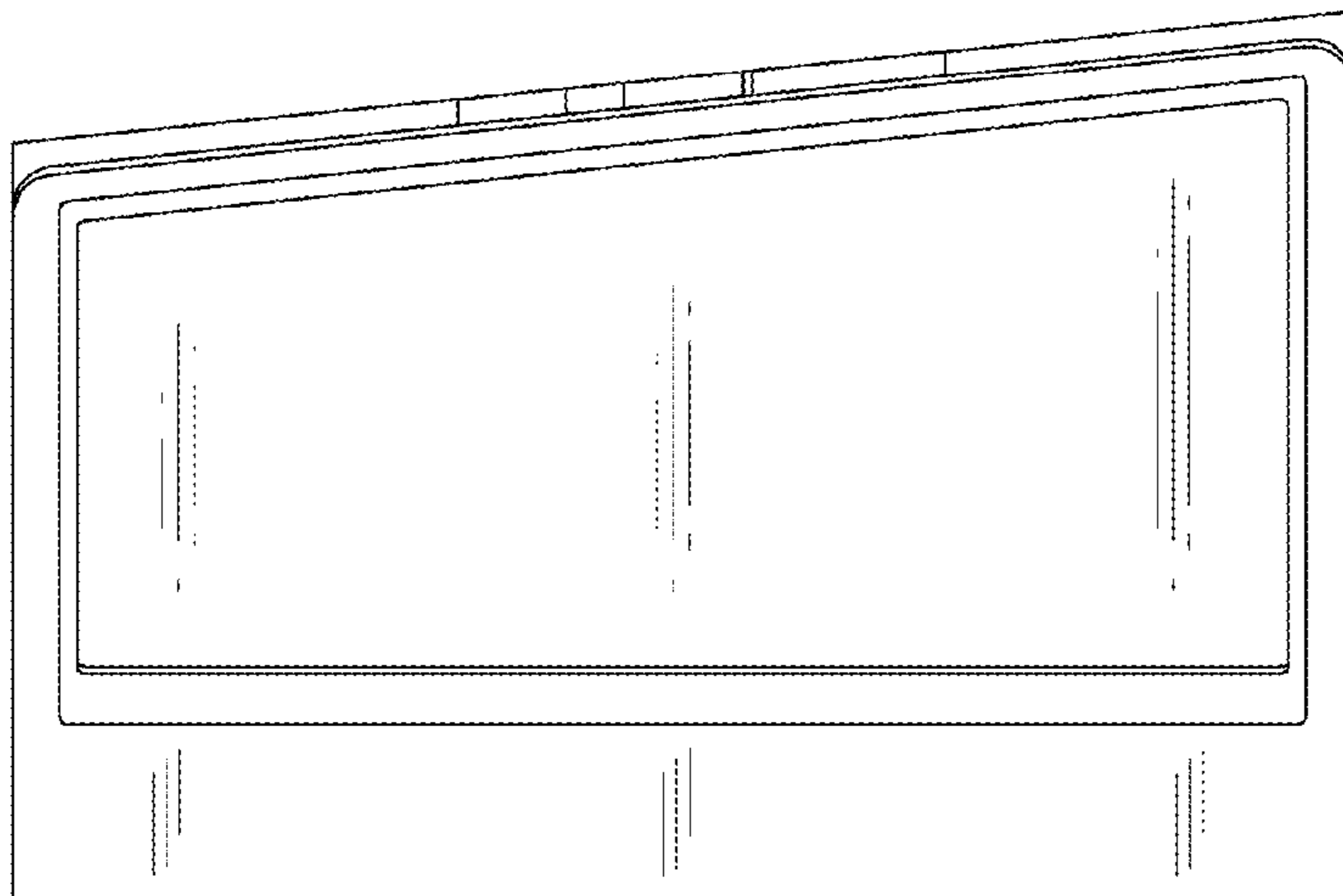


Fig. 3

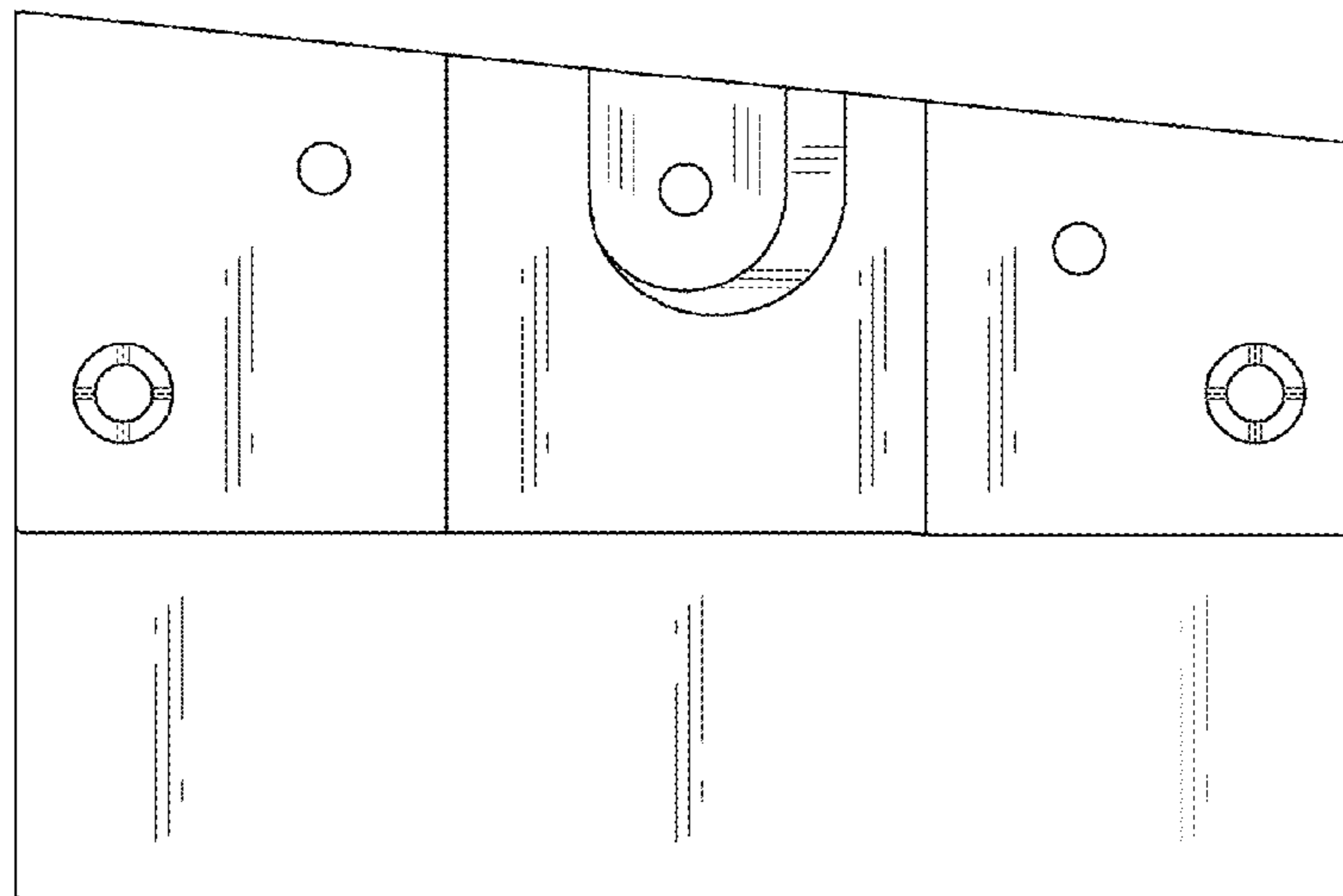


Fig. 4

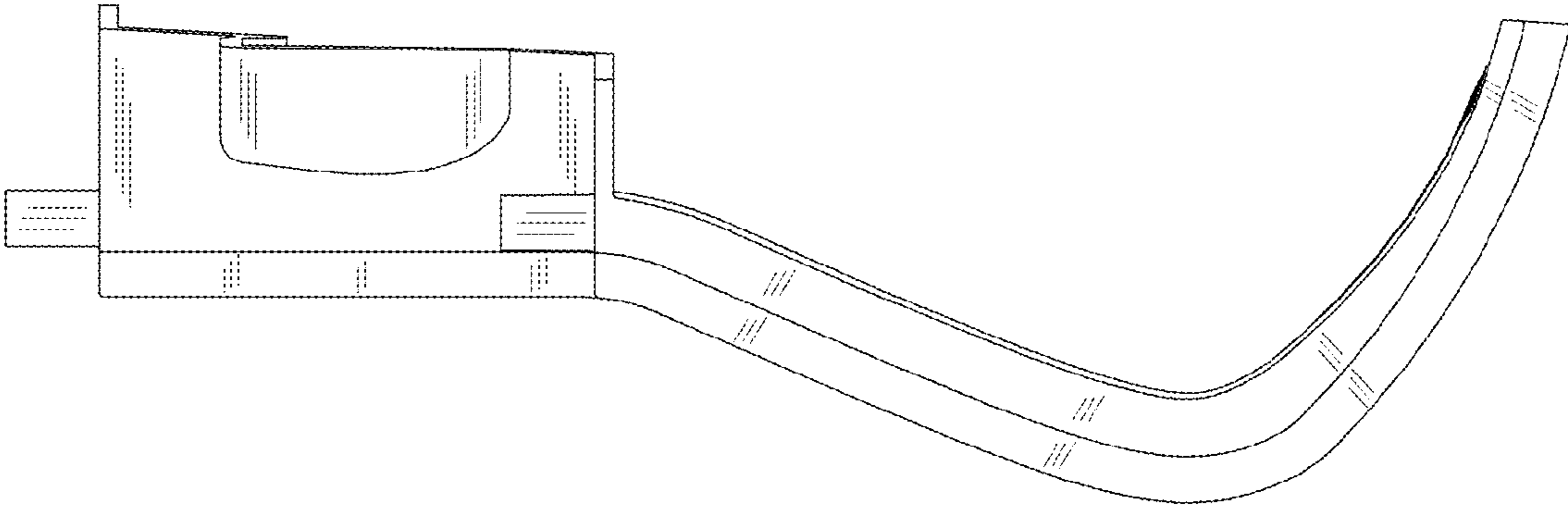


Fig. 5

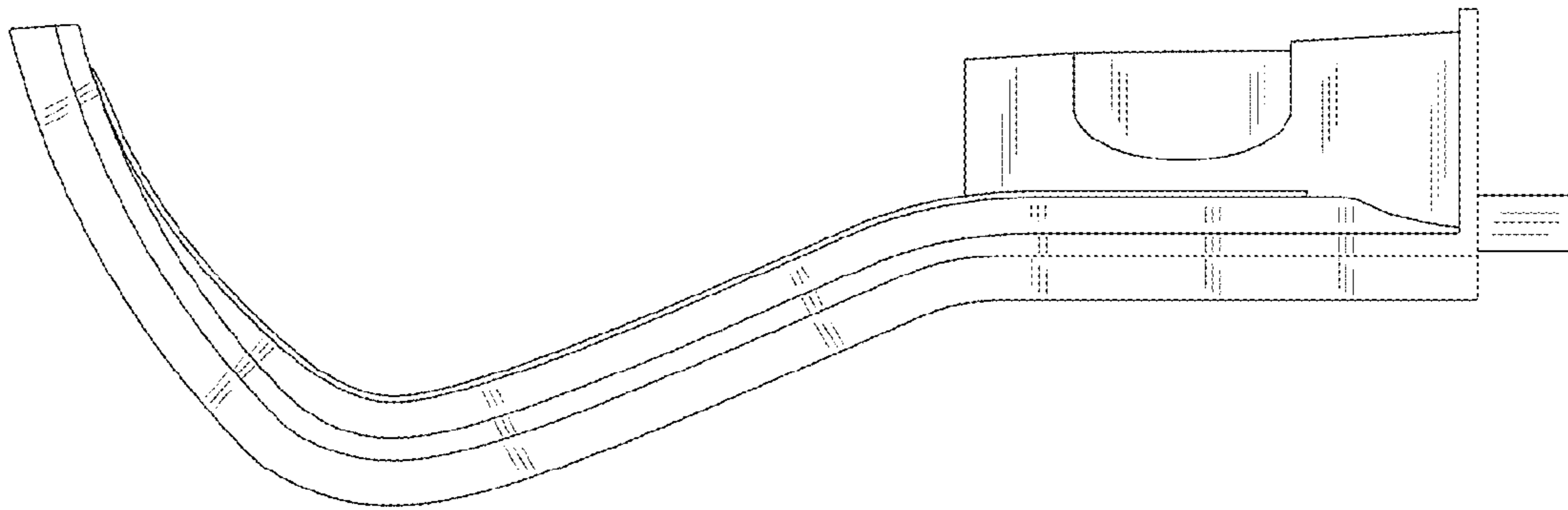


Fig. 6

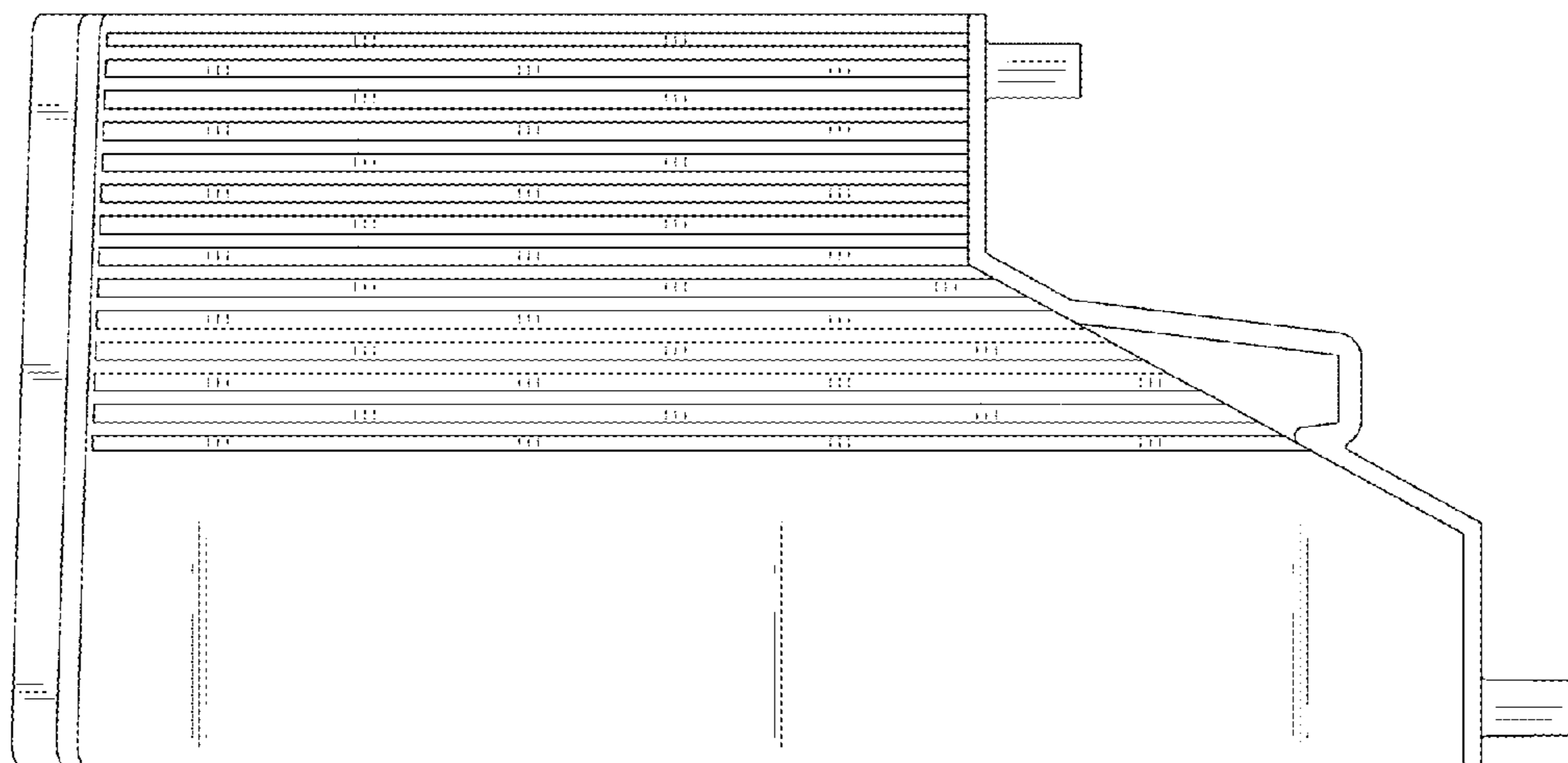


Fig. 7

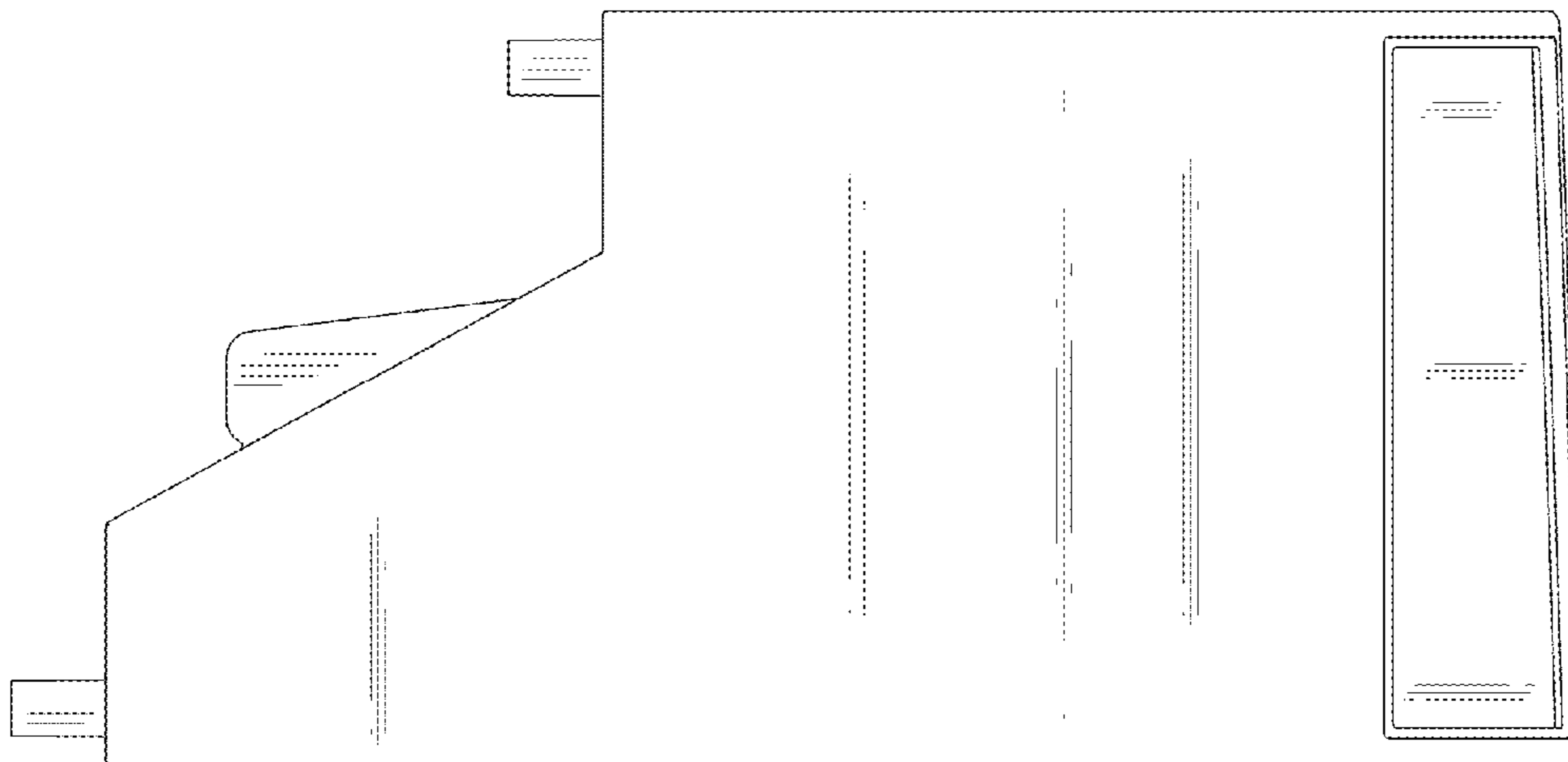




Fig. 8

