



US00D757965S

(12) **United States Design Patent**  
**Yeh et al.**

(10) **Patent No.:** **US D757,965 S**  
(45) **Date of Patent:** **\*\* May 31, 2016**

(54) **VEHICLE PANEL LIGHT**

(71) Applicant: **Optronics International, LLC**, Tulsa, OK (US)

(72) Inventors: **Kuo-Kang Yeh**, Tainan (TW);  
**Chun-Chih Chen**, Tainan (TW)

(73) Assignee: **OPTRONICS INTERNATIONAL, LLC**, Tulsa, OK (US)

(\*\*) Term: **14 Years**

(21) Appl. No.: **29/501,357**

(22) Filed: **Sep. 3, 2014**

(51) **LOC (10) Cl.** ..... **26-04**

(52) **U.S. Cl.**  
USPC ..... **D26/28**

(58) **Field of Classification Search**  
USPC ..... D26/28-36; 362/459-468, 475-478,  
362/485-487  
CPC ..... F21S 48/00; F21S 48/10; F21S 48/115;  
F21S 48/225; F21S 48/1233; F21S 48/1266;  
F21S 48/1388; F21S 48/2268; F21V 21/04  
See application file for complete search history.

(56) **References Cited**

**U.S. PATENT DOCUMENTS**

D512,790 S \* 12/2005 Handsaker ..... D26/28  
D549,367 S \* 8/2007 Hovind ..... D26/28  
D583,490 S \* 12/2008 Rogers ..... D26/28

\* cited by examiner

*Primary Examiner* — Marcus Jackson

(74) *Attorney, Agent, or Firm* — Head, Johnson & Kachigian, P.C.

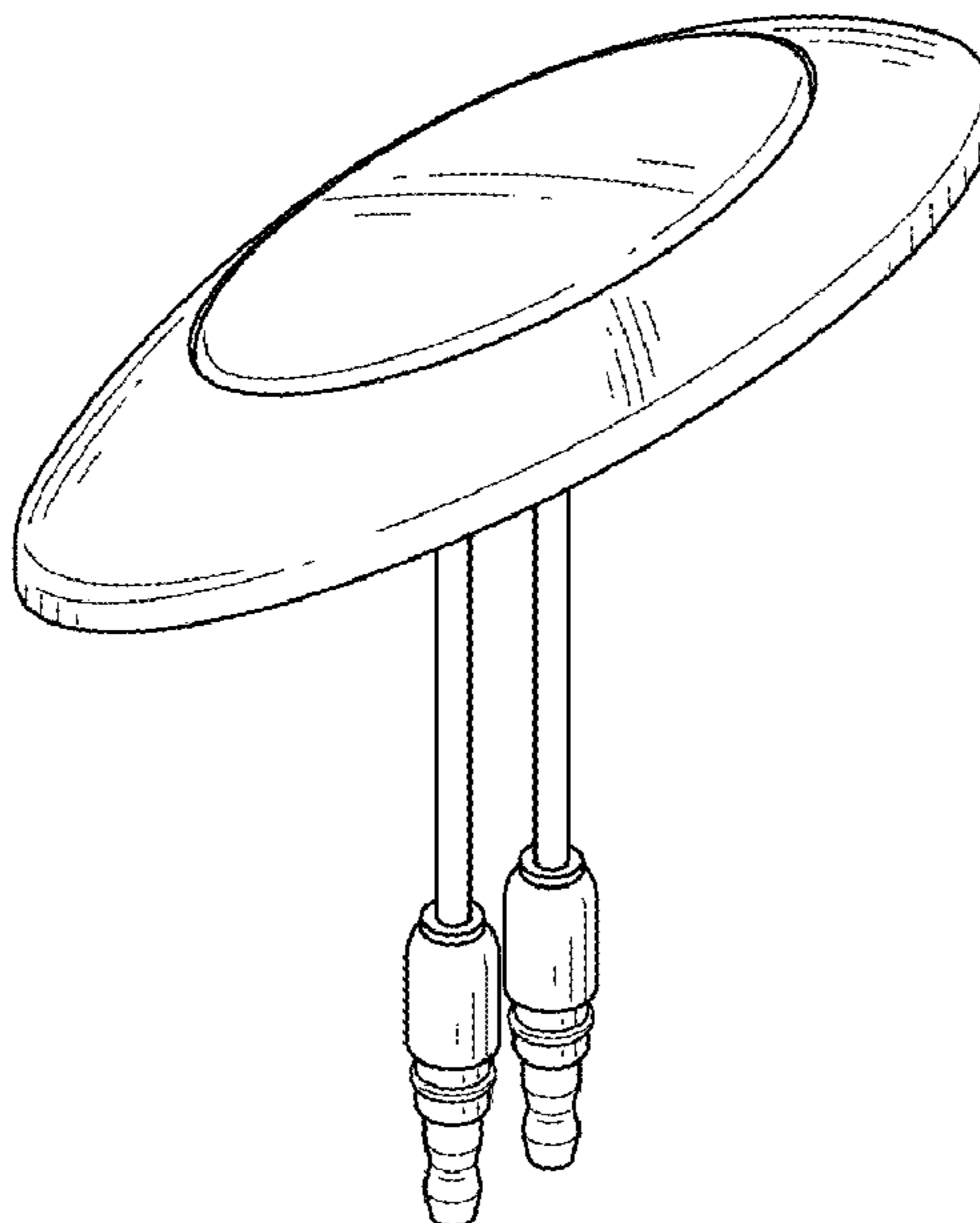
(57) **CLAIM**

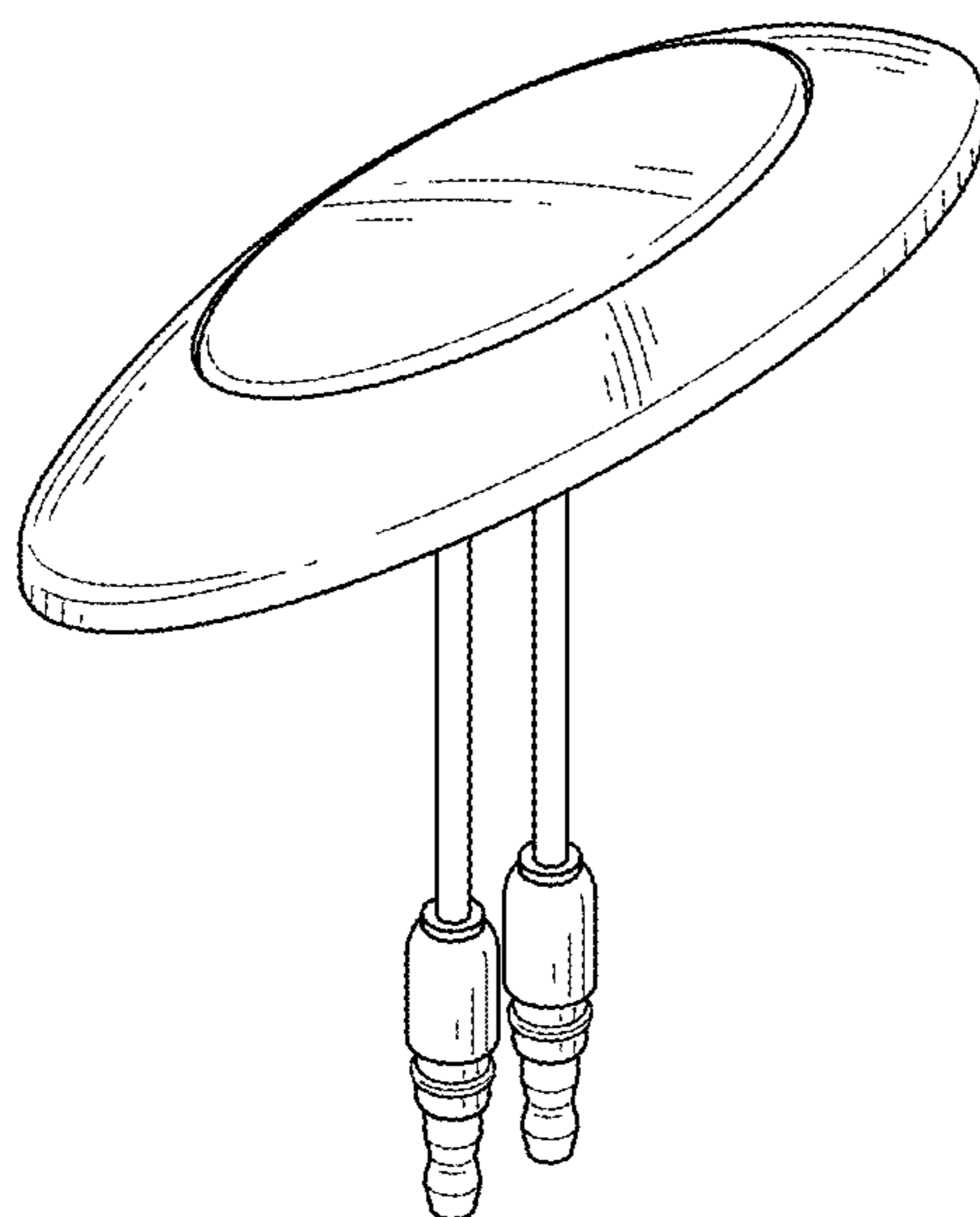
The ornamental design for a vehicle panel light, as shown and described.

**DESCRIPTION**

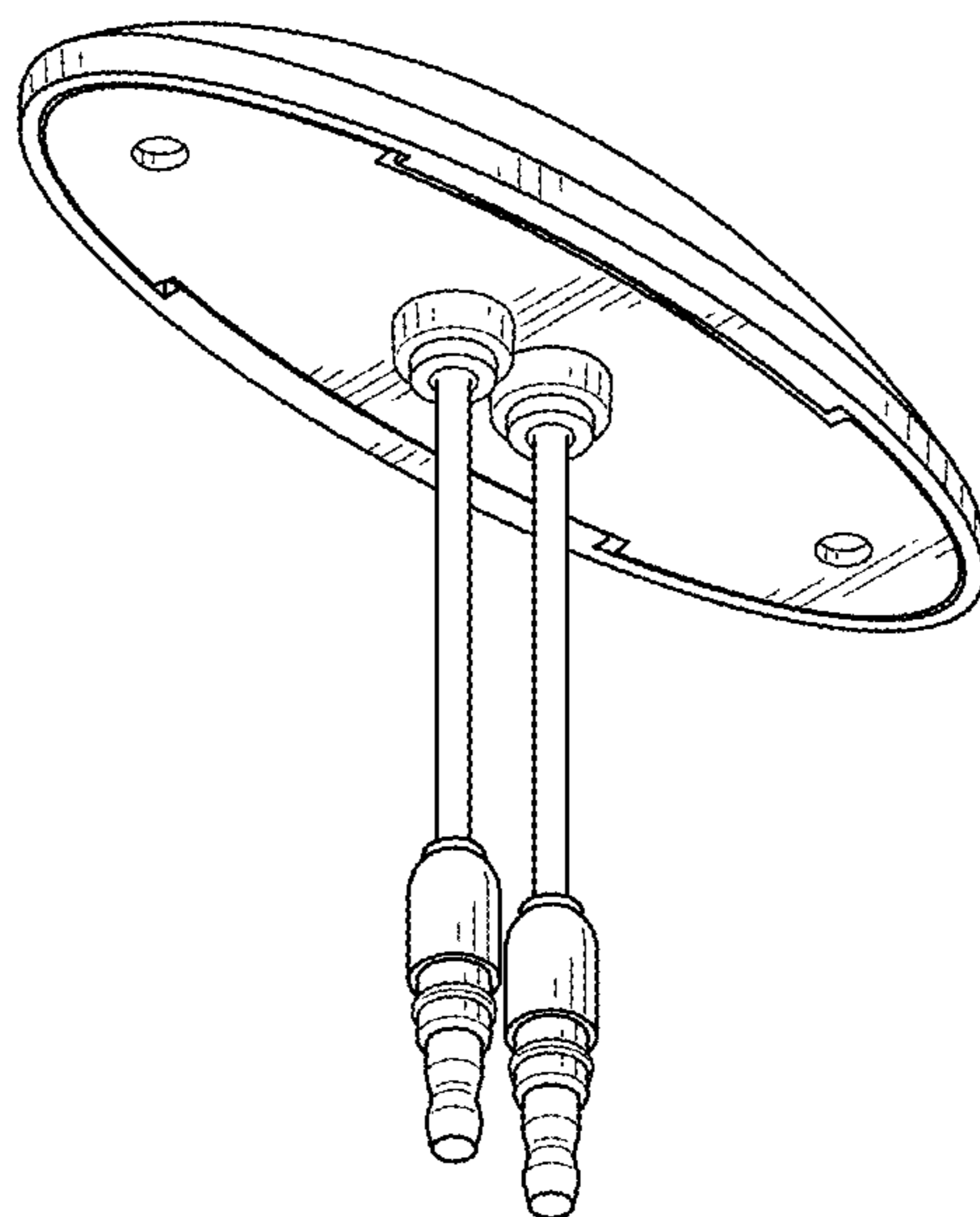
FIG. 1 is a perspective top view of a first preferred embodiment vehicle panel light of the present invention;  
FIG. 2 is a perspective bottom view thereof;  
FIG. 3 is a top view thereof;  
FIG. 4 is a bottom view thereof;  
FIG. 5 is a right side view thereof, the left side being a mirror image thereof;  
FIG. 6 is a front view thereof, the rear view being a mirror image thereof;  
FIG. 7 is a perspective top view of a second preferred embodiment of the vehicle panel light;  
FIG. 8 is a perspective bottom view thereof;  
FIG. 9 is a top view thereof;  
FIG. 10 is a bottom view thereof;  
FIG. 11 is a right thereof, the left side view being a mirror image thereof; and,  
FIG. 12 is a front view thereof, the rear view being a mirror image thereof.

**1 Claim, 6 Drawing Sheets**

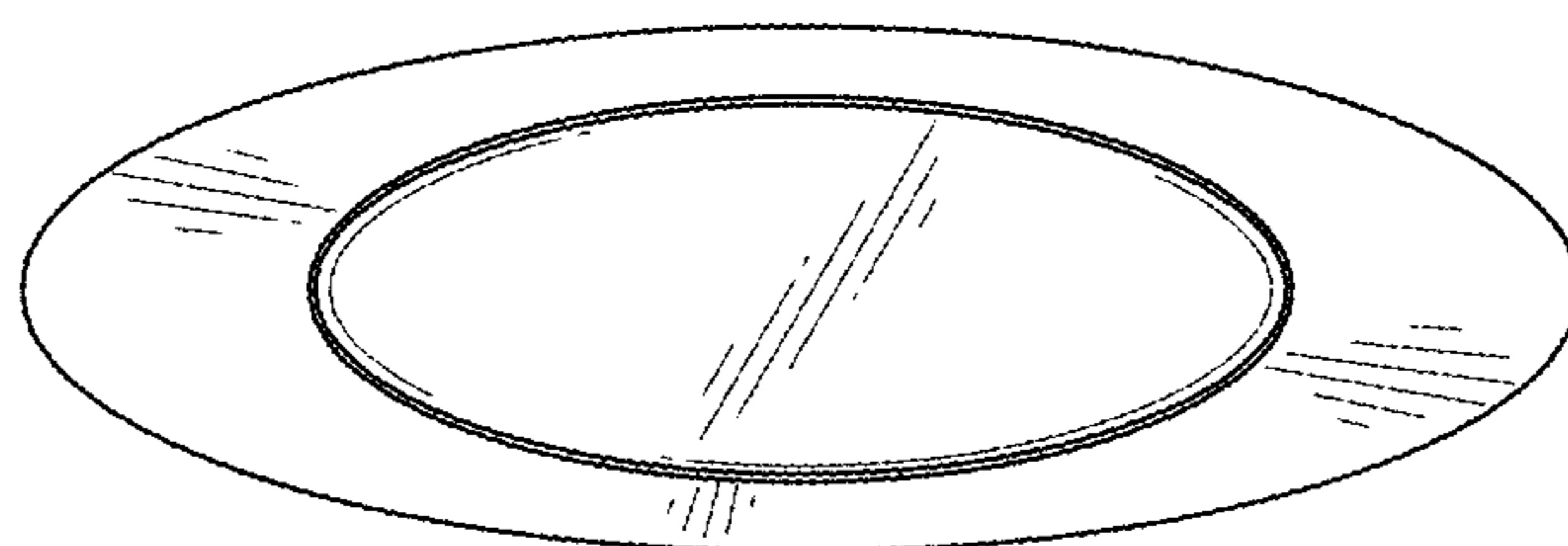




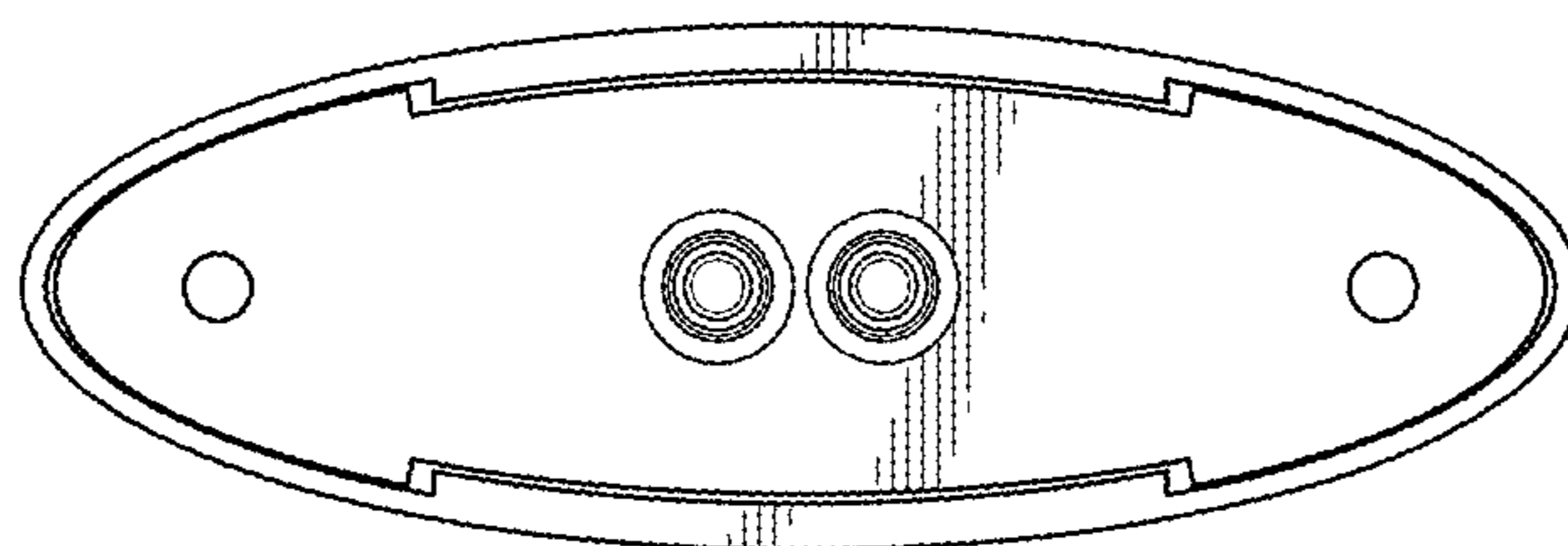
**FIG. 1**



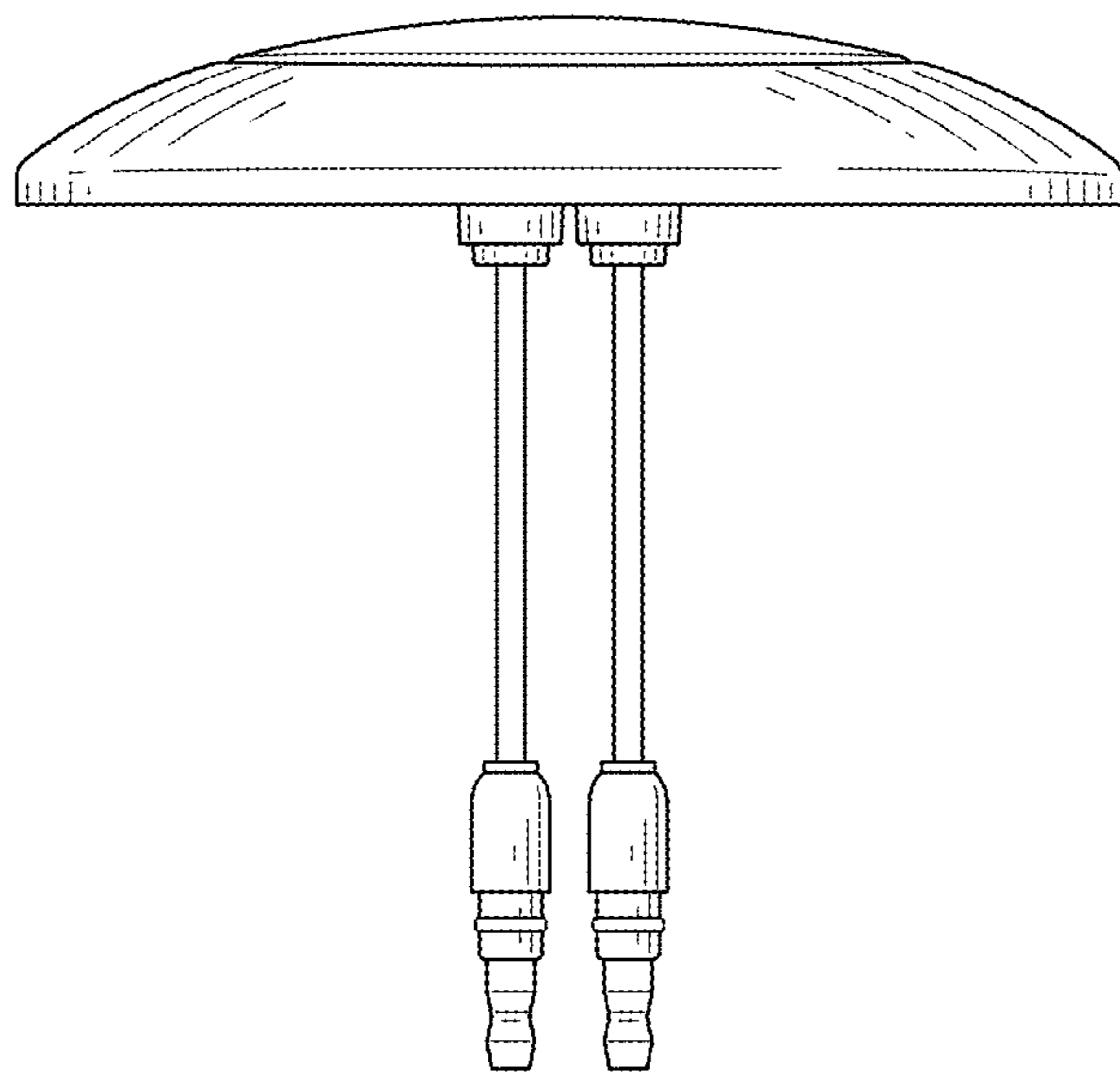
**FIG. 2**



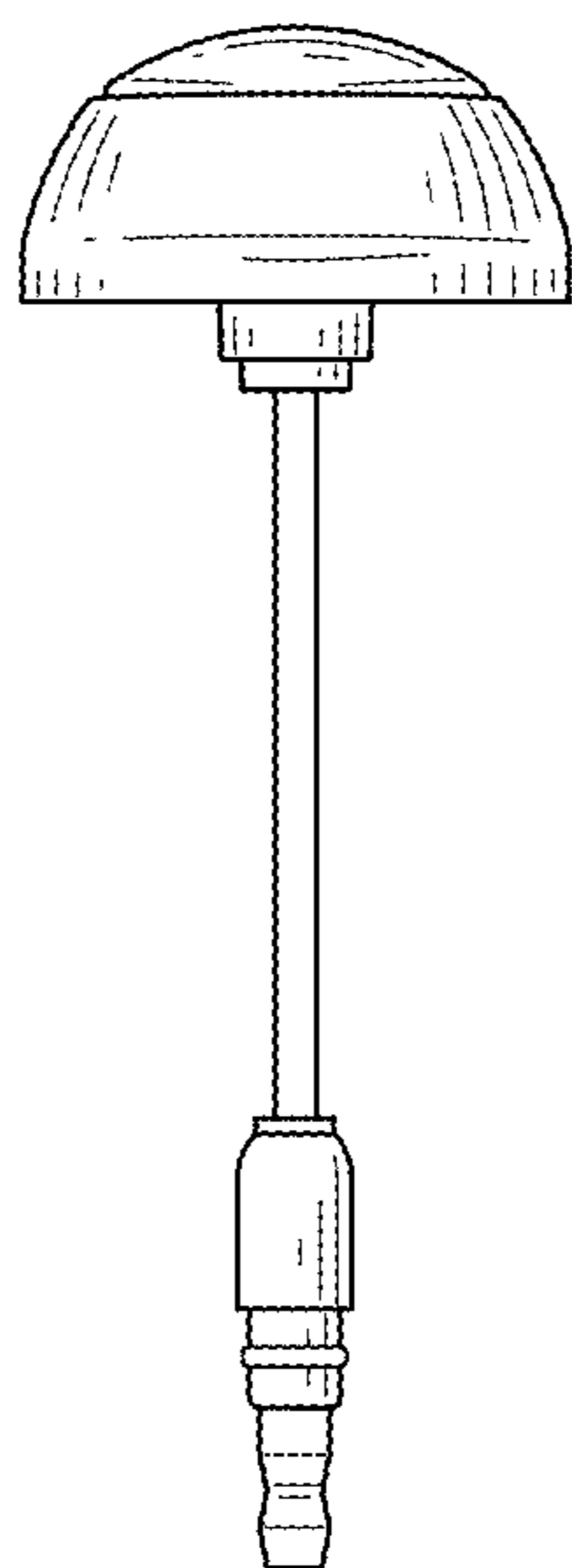
*FIG. 3*



*FIG. 4*



*FIG. 5*



*FIG. 6*

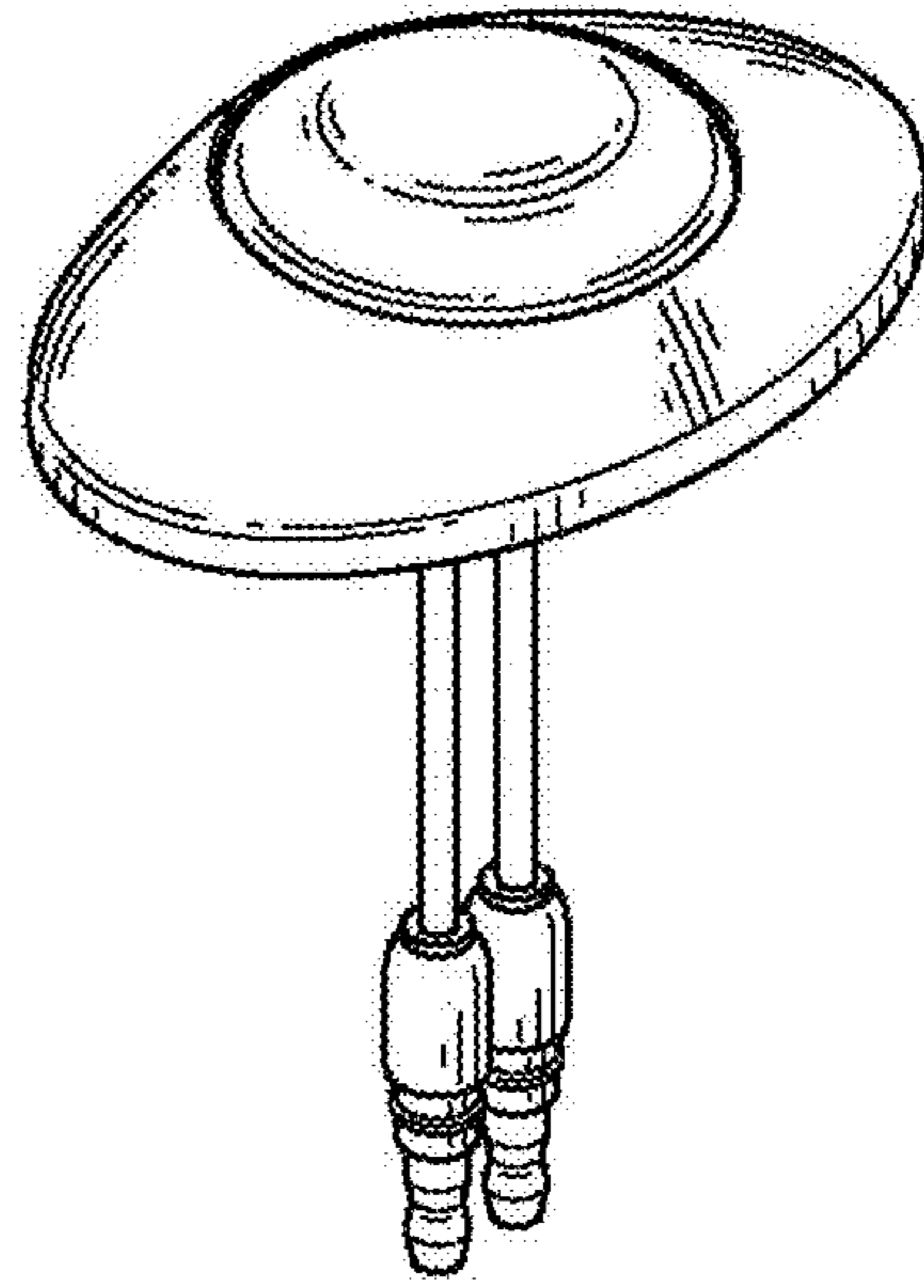


FIG. 7

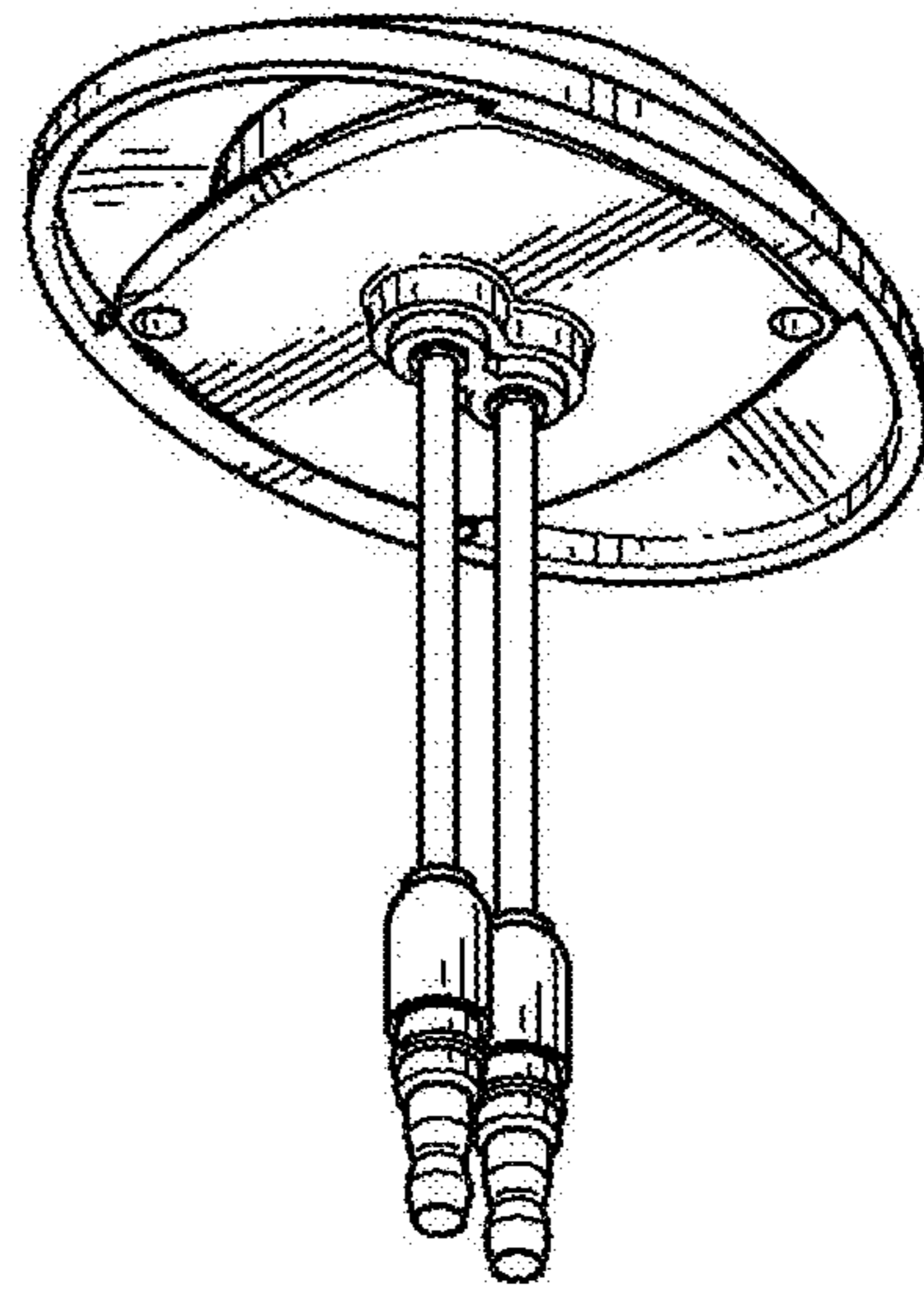


FIG. 8

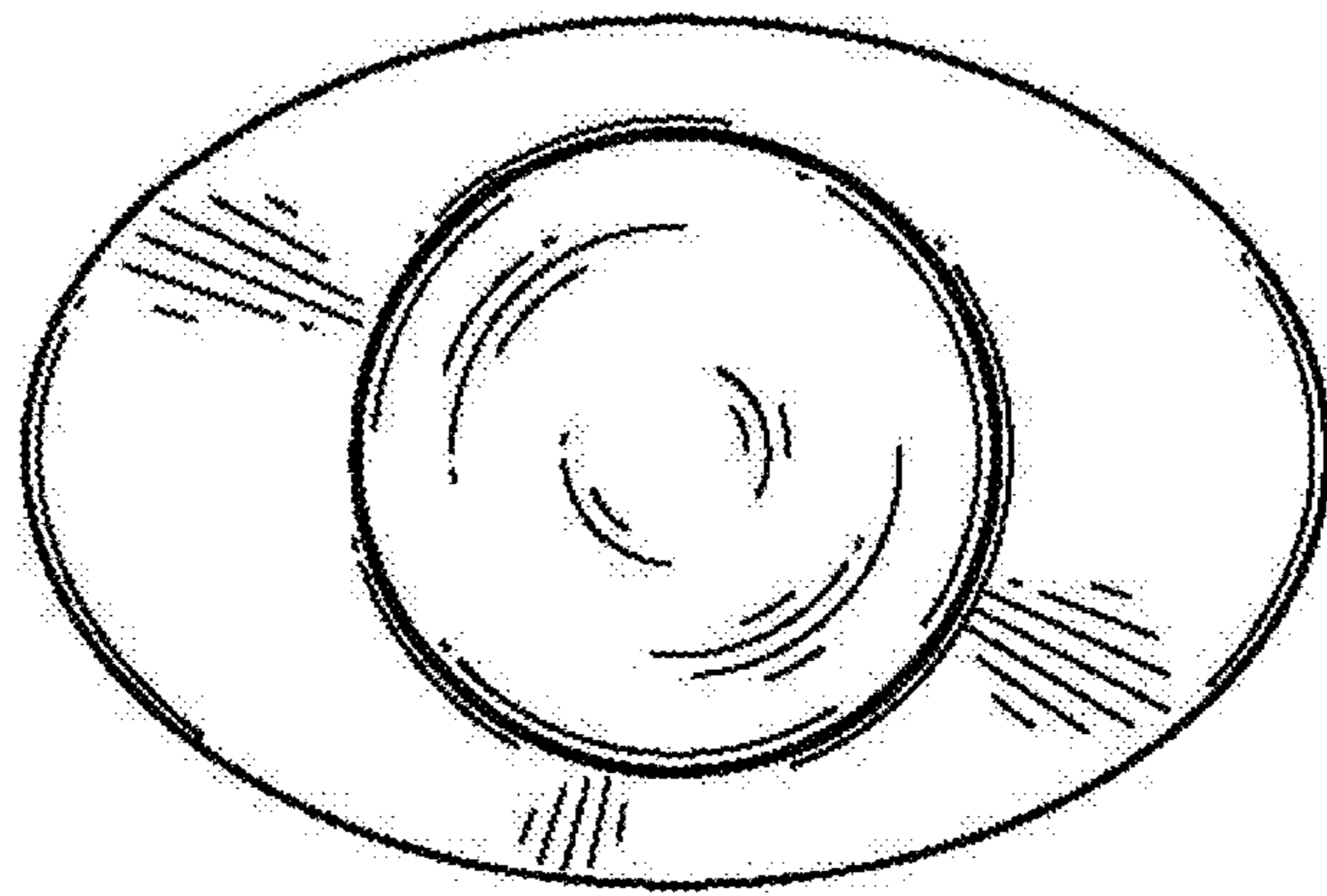


FIG. 9

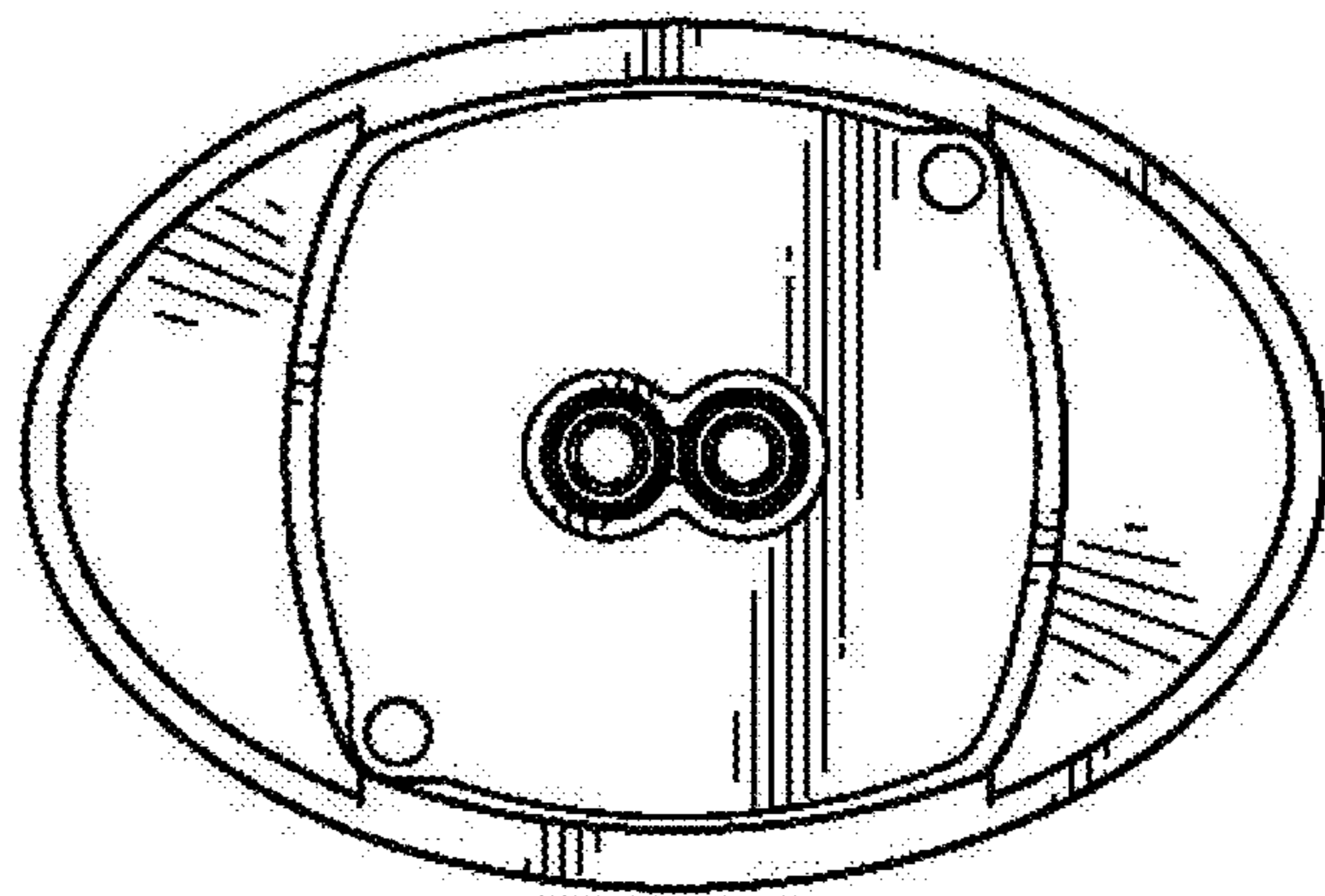


FIG. 10

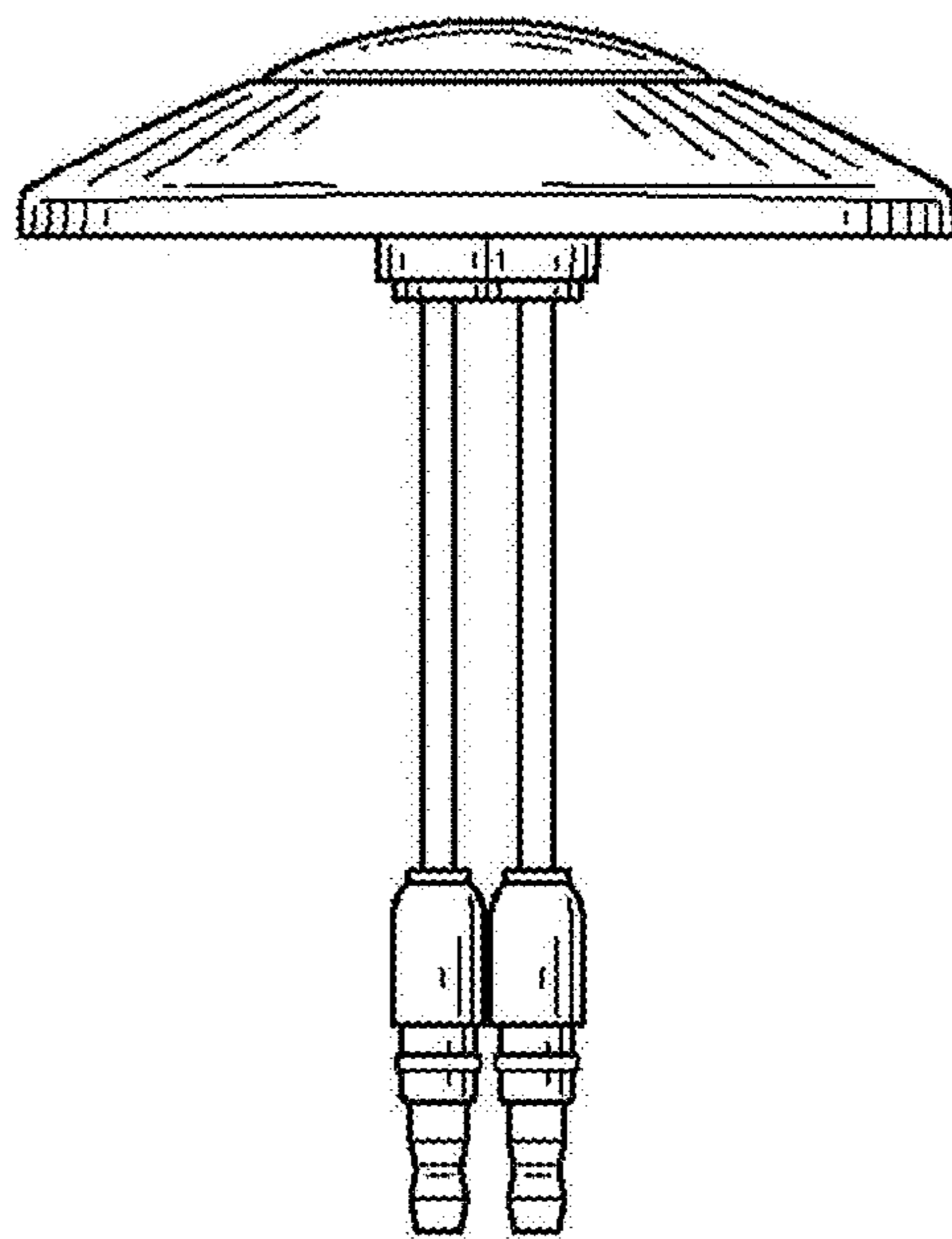


FIG. 11

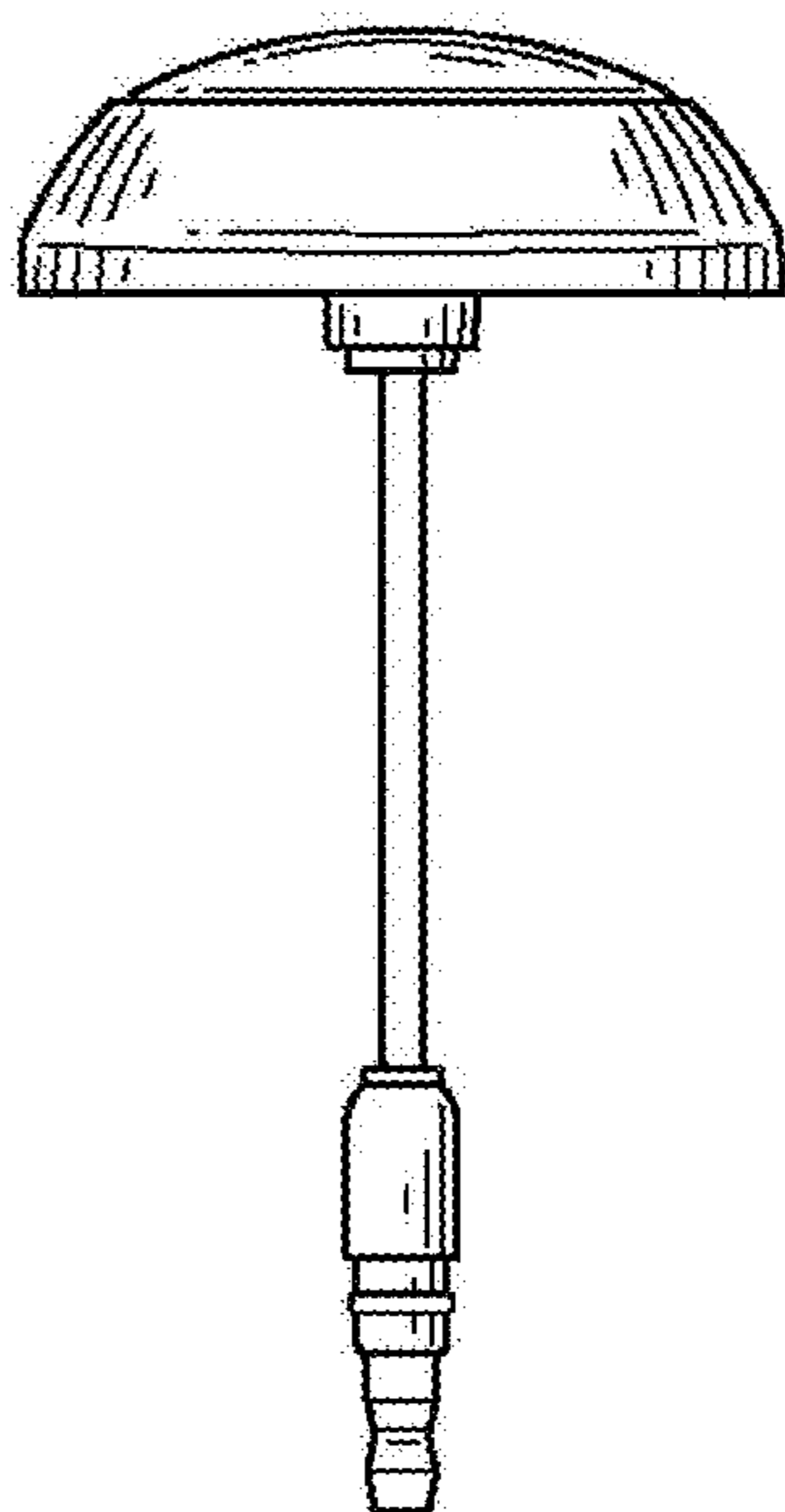


FIG. 12