

US00D757964S

(12) **United States Design Patent**
Eagleman

(10) **Patent No.:** **US D757,964 S**

(45) **Date of Patent:** **** May 31, 2016**

(54) **LIGHT FOR A BICYCLE**

(71) Applicant: **Erik Eagleman**, Freiburg (DE)

(72) Inventor: **Erik Eagleman**, Freiburg (DE)

(73) Assignee: **CYCLING SPORTS GROUP, INC.**,
Bethel, CT (US)

(**) Term: **14 Years**

(21) Appl. No.: **29/447,742**

(22) Filed: **Mar. 6, 2013**

(51) **LOC (10) Cl.** **26-06**

(52) **U.S. Cl.**
USPC **D26/28; D26/37**

(58) **Field of Classification Search**
USPC D26/37, 38, 39, 40, 41, 42, 46, 49, 28,
D26/50; 362/157, 158, 183, 184, 194-196,
362/253, 473
CPC F21V 33/00; F21V 14/025; F21V 21/406;
F21Y 2101/02; F21L 17/00; F21L 13/08
See application file for complete search history.

(56) **References Cited**

U.S. PATENT DOCUMENTS

D666,343 S *	8/2012	Lee	D26/39
D667,577 S *	9/2012	Wu	D26/49
D690,856 S *	10/2013	Shiu	D26/39
D691,311 S *	10/2013	Chen	D26/40
D699,375 S *	2/2014	Ueda et al.	D26/37
8,651,714 B1 *	2/2014	Hamasaki	362/473
D711,572 S *	8/2014	Kwon et al.	D26/37
8,876,341 B2 *	11/2014	Eagleman	362/473
D726,943 S *	4/2015	Petzl	D26/39

OTHER PUBLICATIONS

Sparse Press Release "Bay Area Start-Up Brings Passion for Cycling and Design Together in New Product Launch" Sparse press: <http://sparse.cc/press>.

* cited by examiner

Primary Examiner — Ian Simmons

Assistant Examiner — Carissa C Fitts

(74) *Attorney, Agent, or Firm* — Cantor Colburn LLP

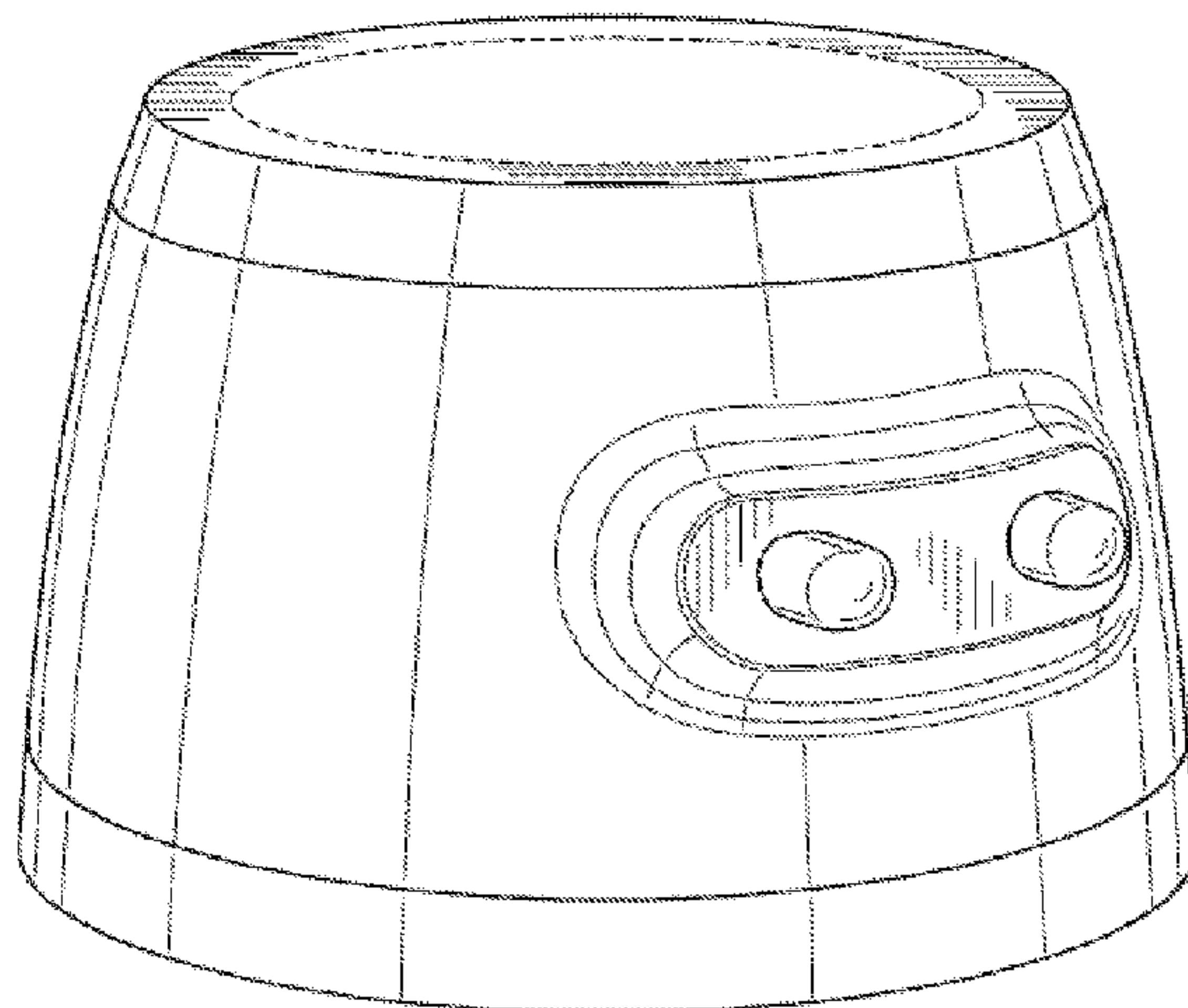
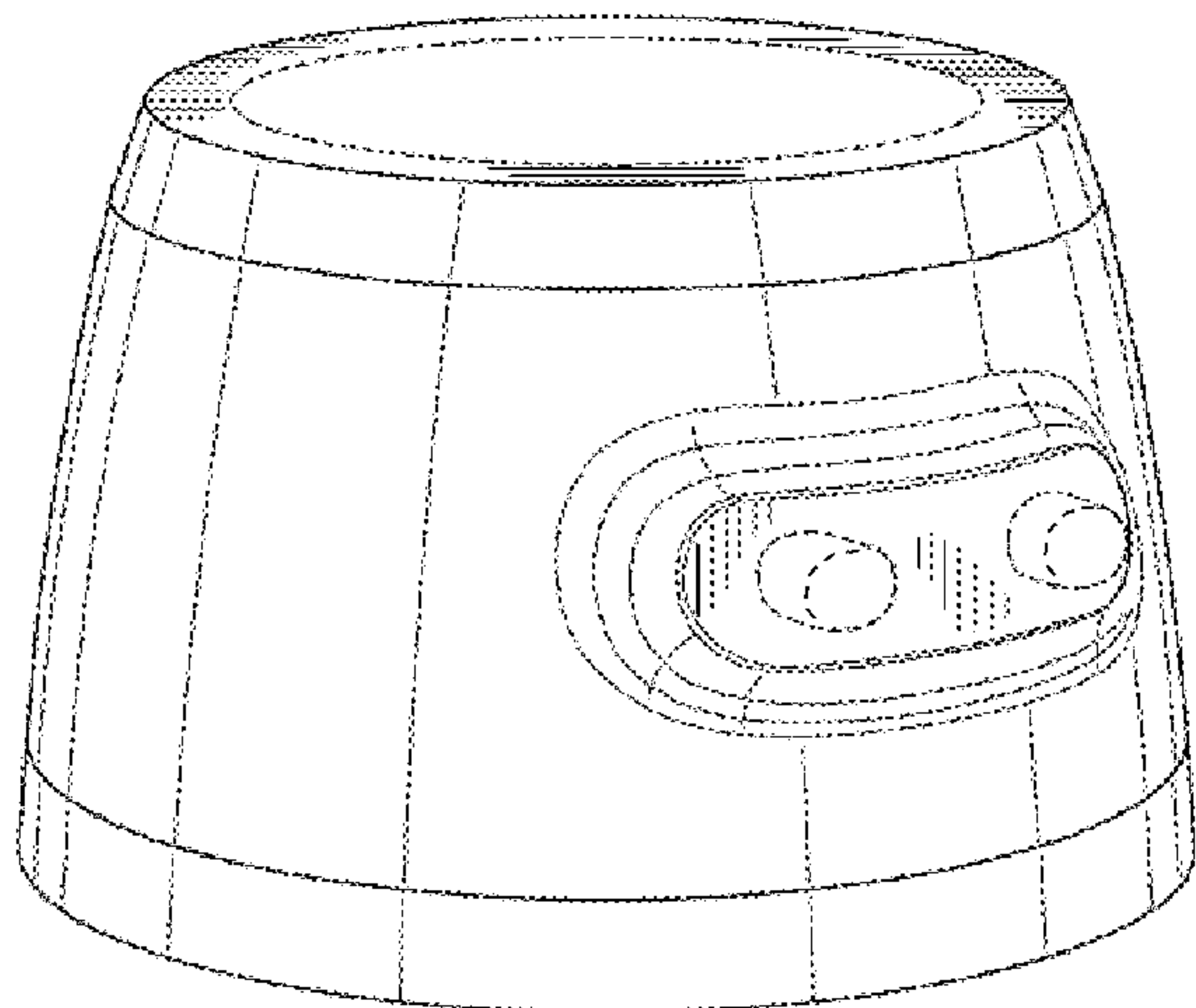
(57) **CLAIM**

We claim, the ornamental design for a light for a bicycle, as shown and described.

DESCRIPTION

FIG. 1 is a perspective view of an embodiment of the invention;
FIG. 2 is a front view of the embodiment of FIG. 1;
FIG. 3 is a rear view of the embodiment of FIG. 1;
FIG. 4 is a side view of the embodiment of FIG. 1, the opposing side being a mirror image thereof;
FIG. 5 is a top view of the embodiment of FIG. 1;
FIG. 6 is a bottom view of the embodiment of FIG. 1;
FIG. 7 is a perspective view of the embodiment of FIG. 1 with the light installed on a bicycle headset;
FIG. 8 is a perspective view of a second embodiment of the invention;
FIG. 9 is a front view of the embodiment of FIG. 8, the rear view being the same as FIG. 3;
FIG. 10 is a side view of the embodiment of FIG. 8, the opposing side being a mirror image thereof;
FIG. 11 is a top view of the embodiment of FIG. 8; and
FIG. 12 is a bottom view of the embodiment of FIG. 8.
The broken line shown in FIG. 7 is for environmental purposes only and forms no part of the claimed design. All other broken lines represent unclaimed portions of the article and form no part of the claimed design.

1 Claim, 9 Drawing Sheets



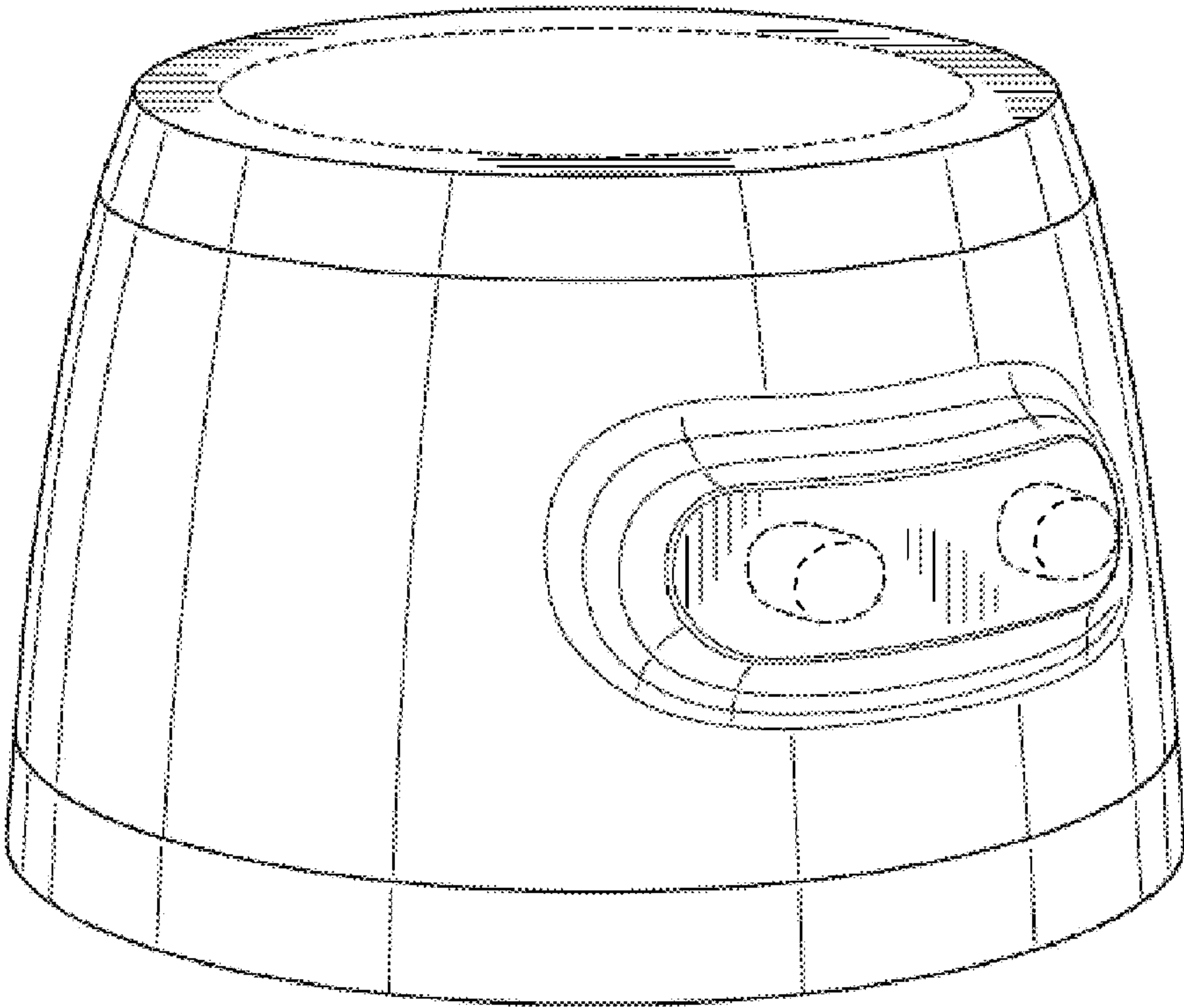


FIG. 1

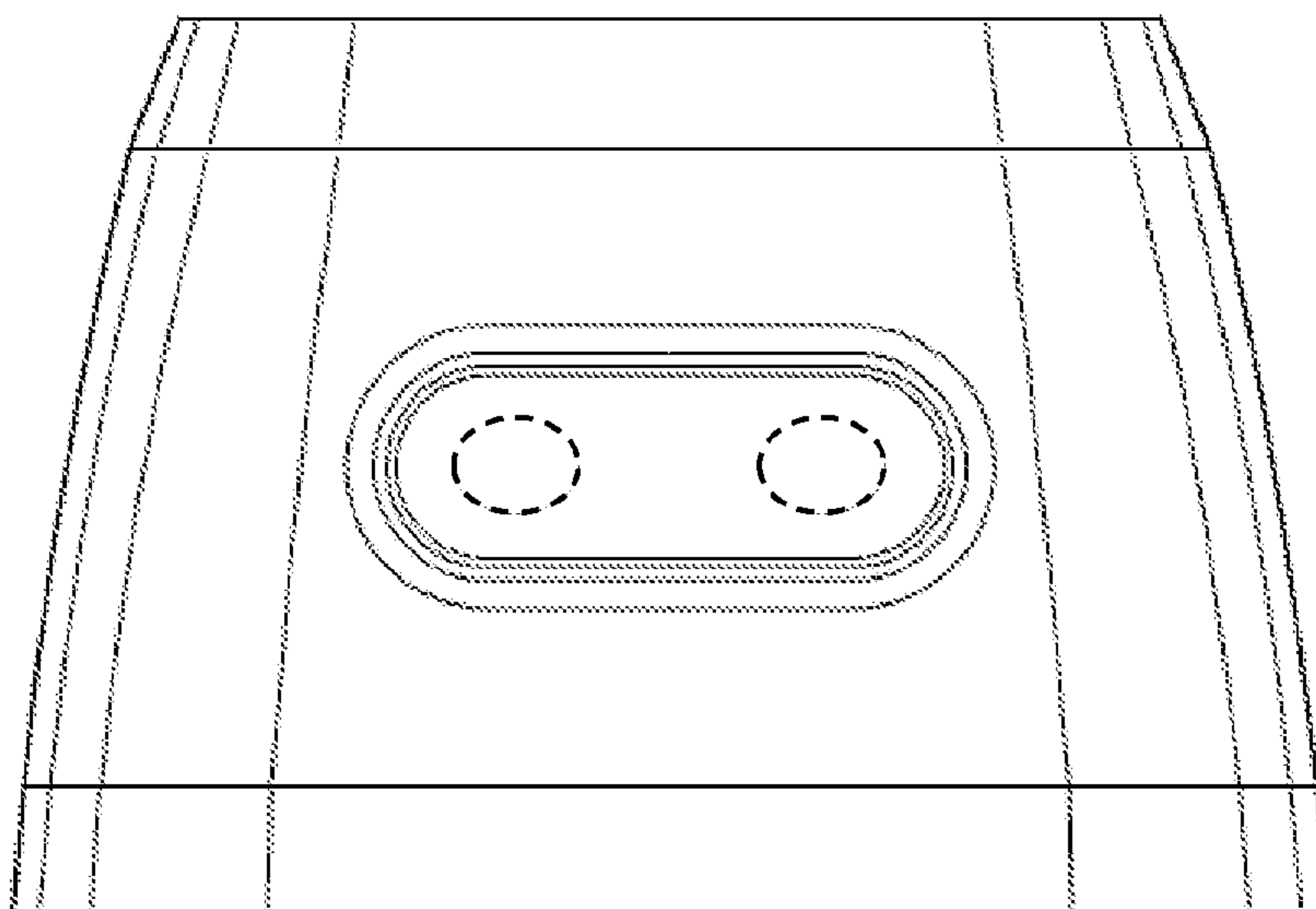


FIG. 2

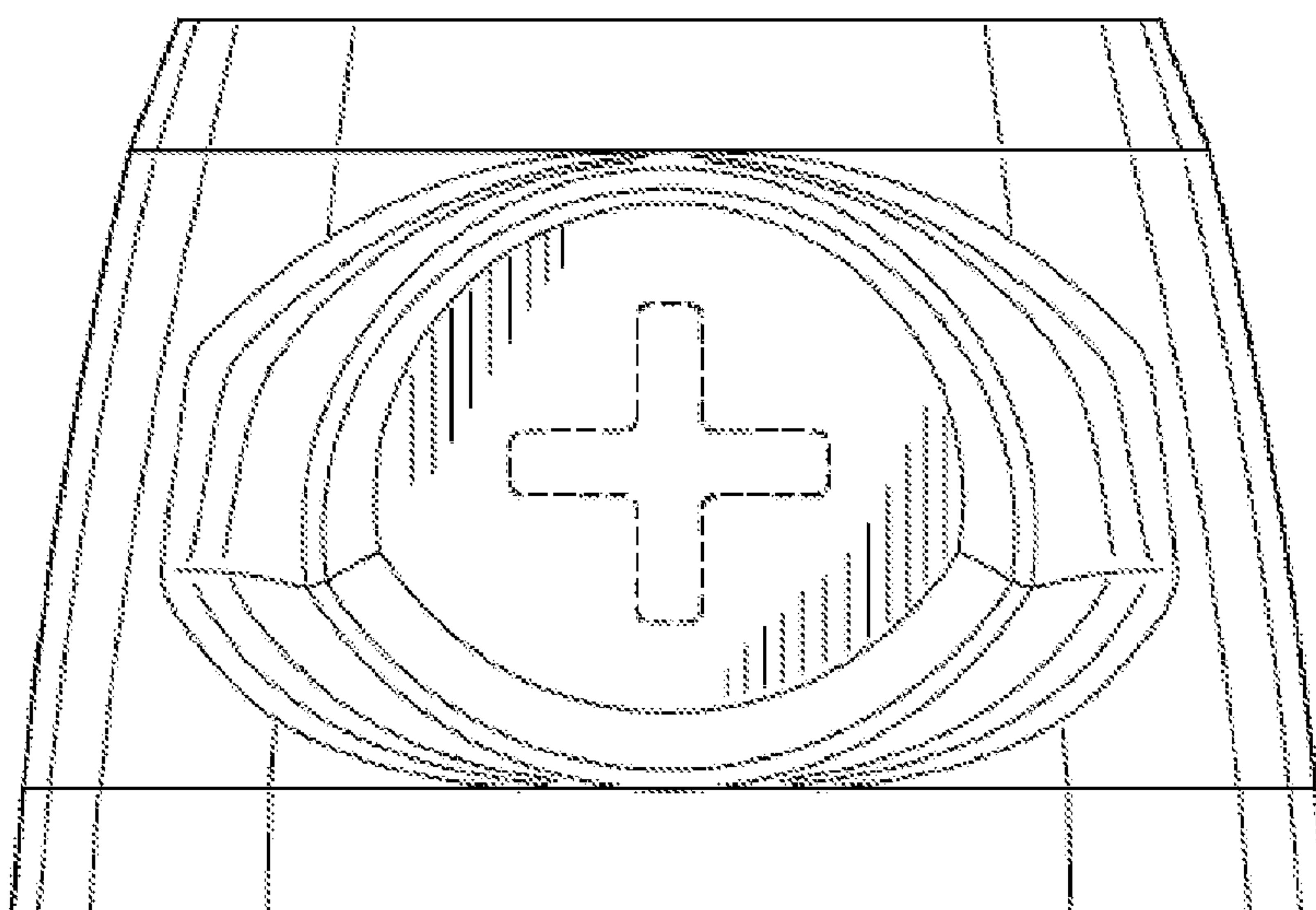


FIG. 3

FIG. 4

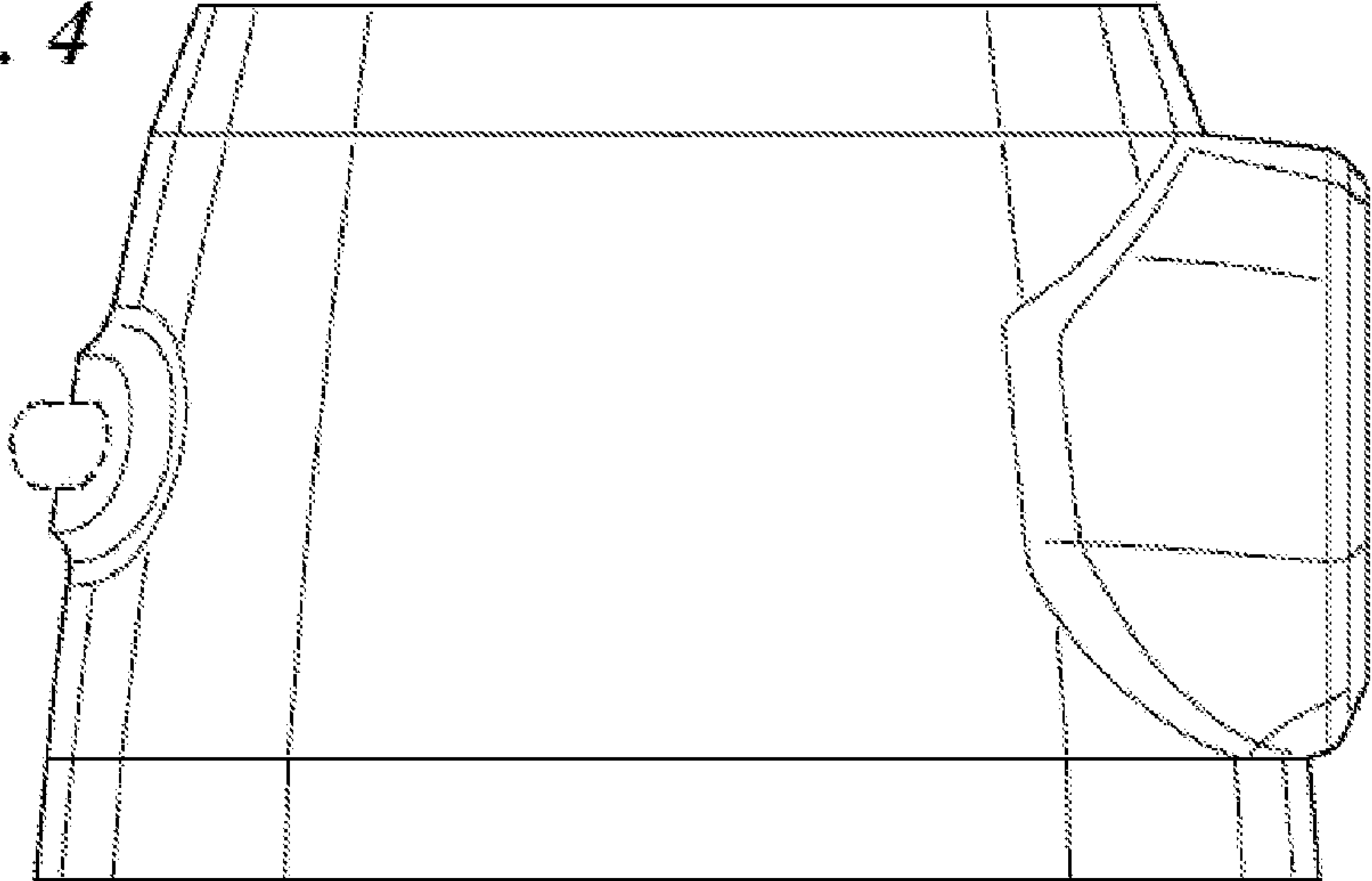
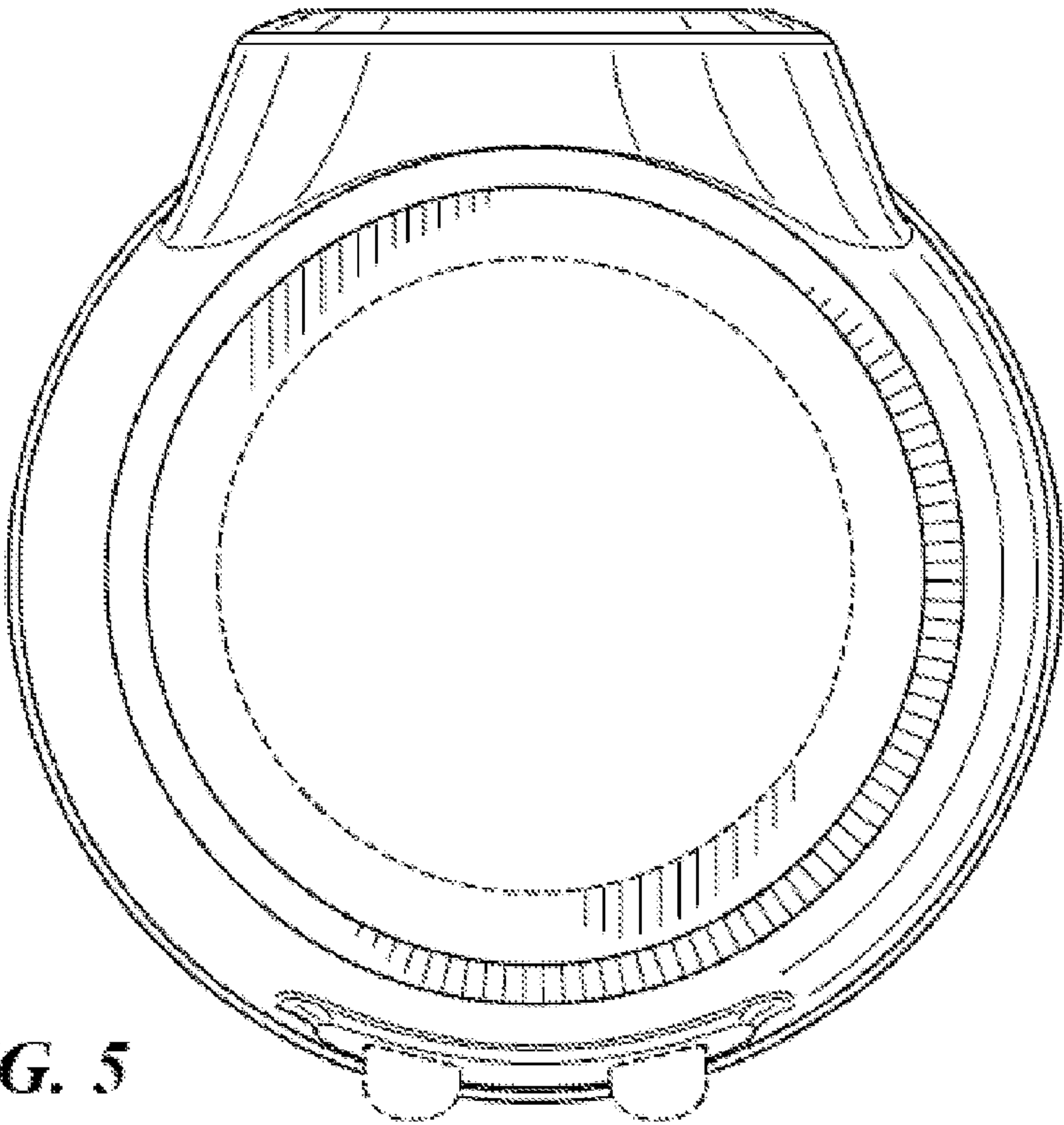


FIG. 5



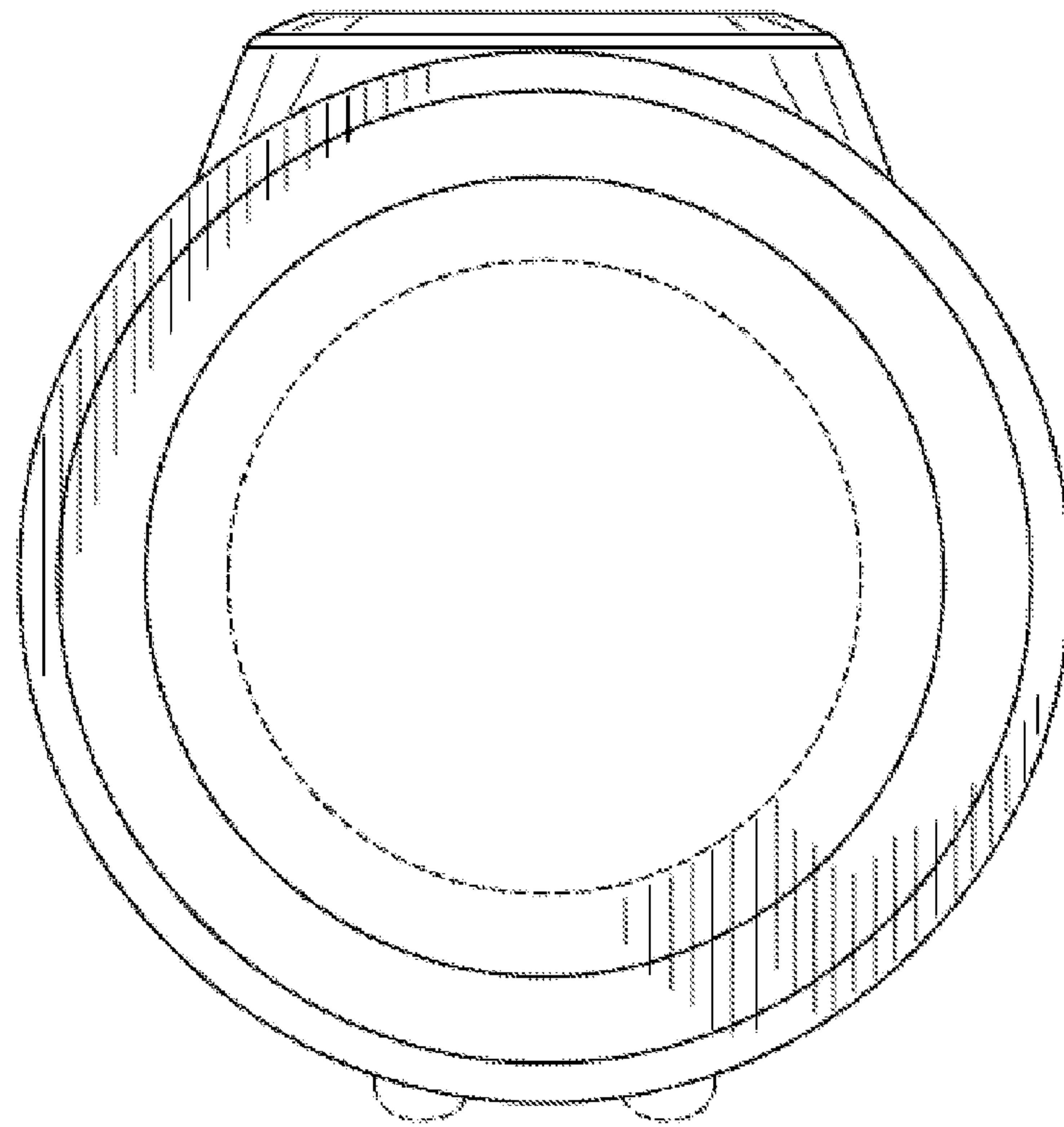


FIG. 6

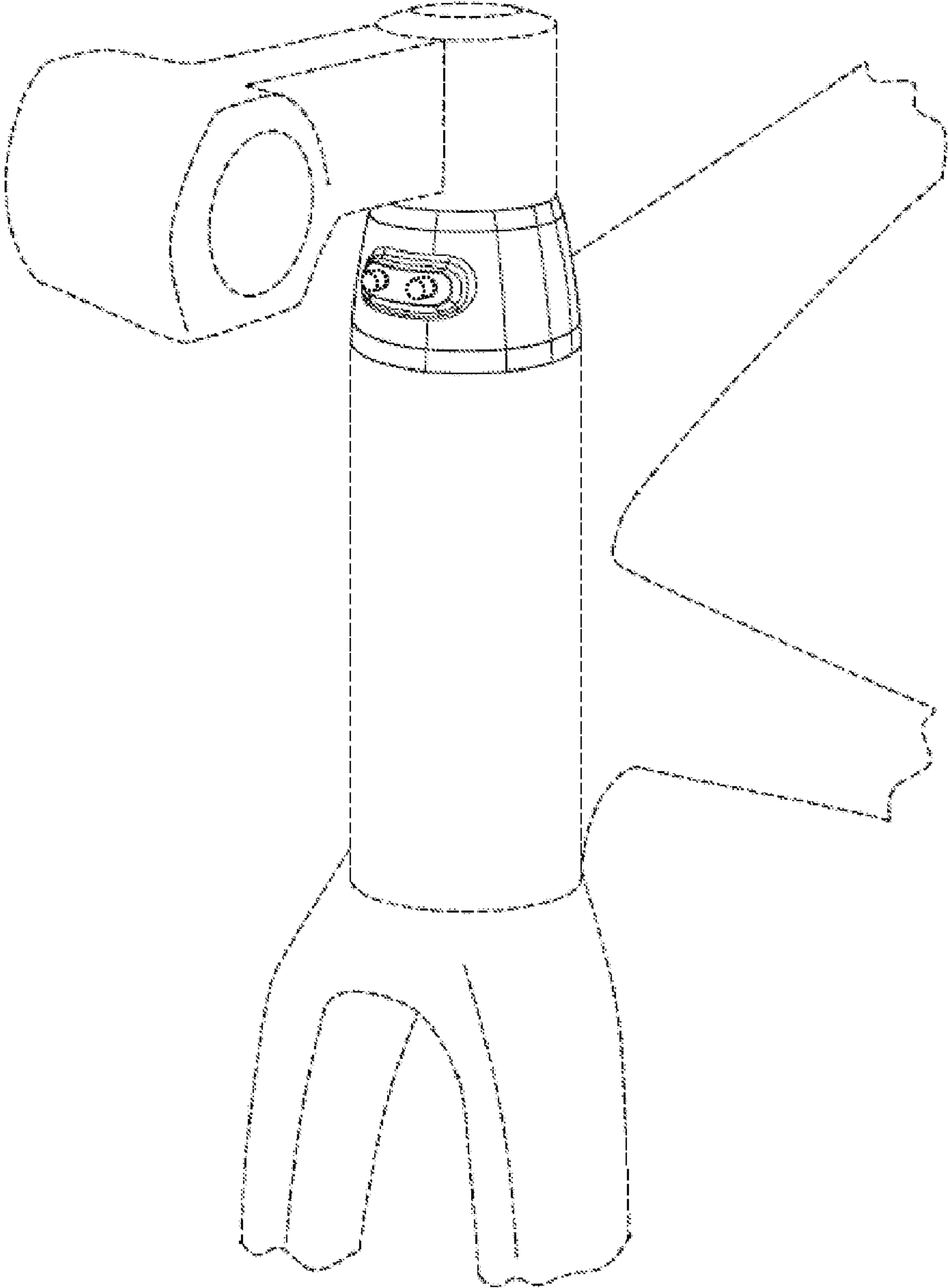


FIG. 7

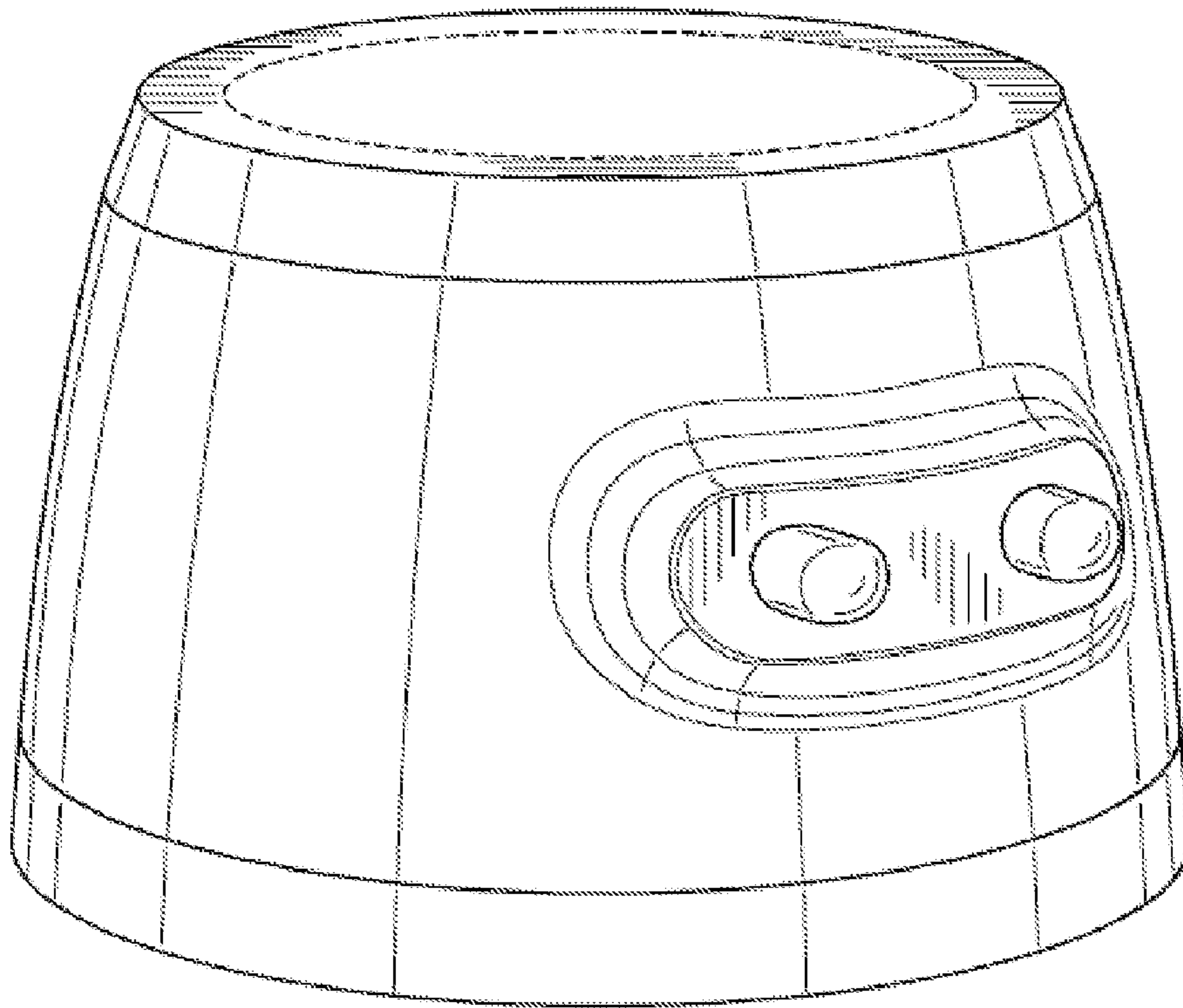


FIG. 8

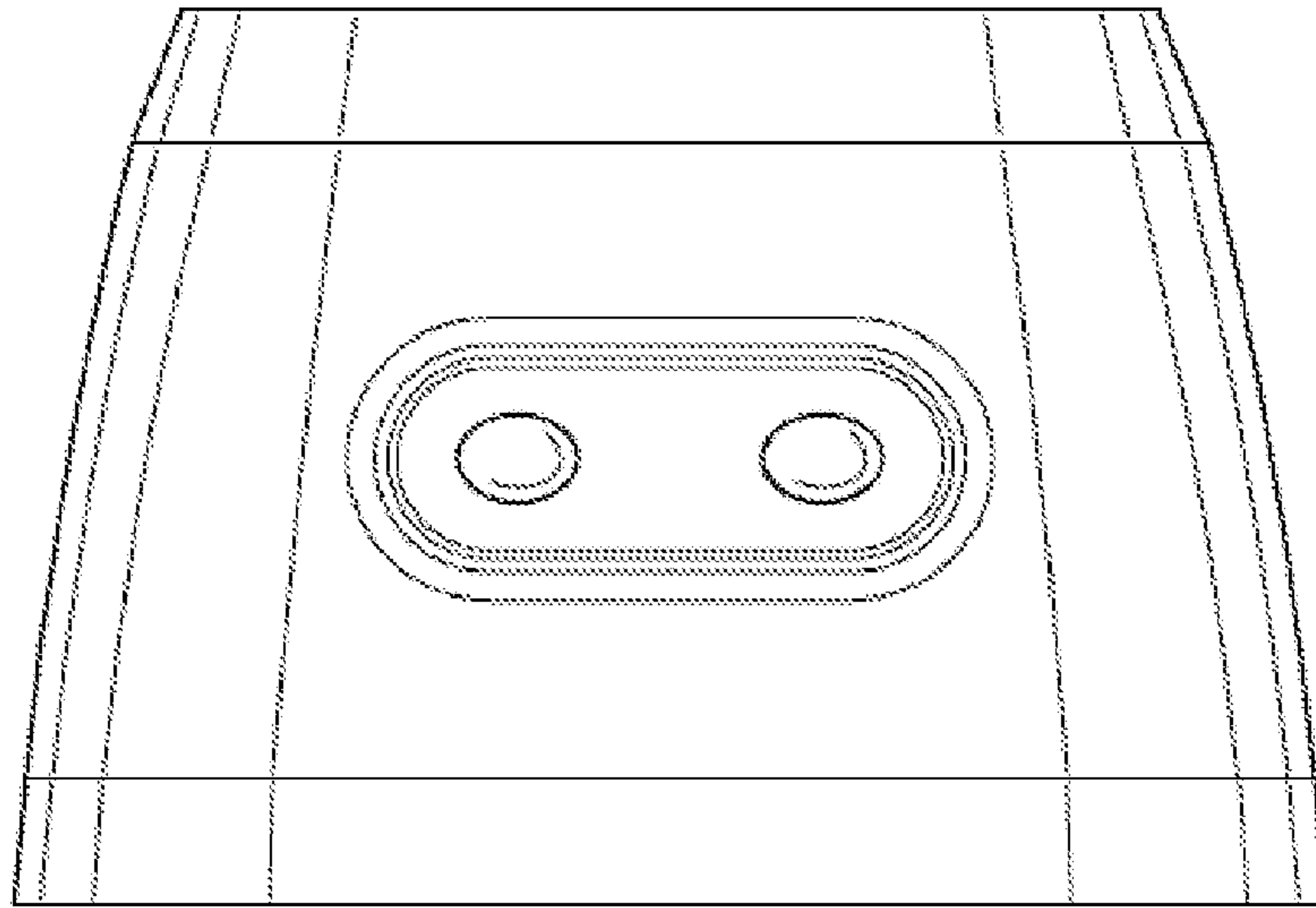


FIG. 9

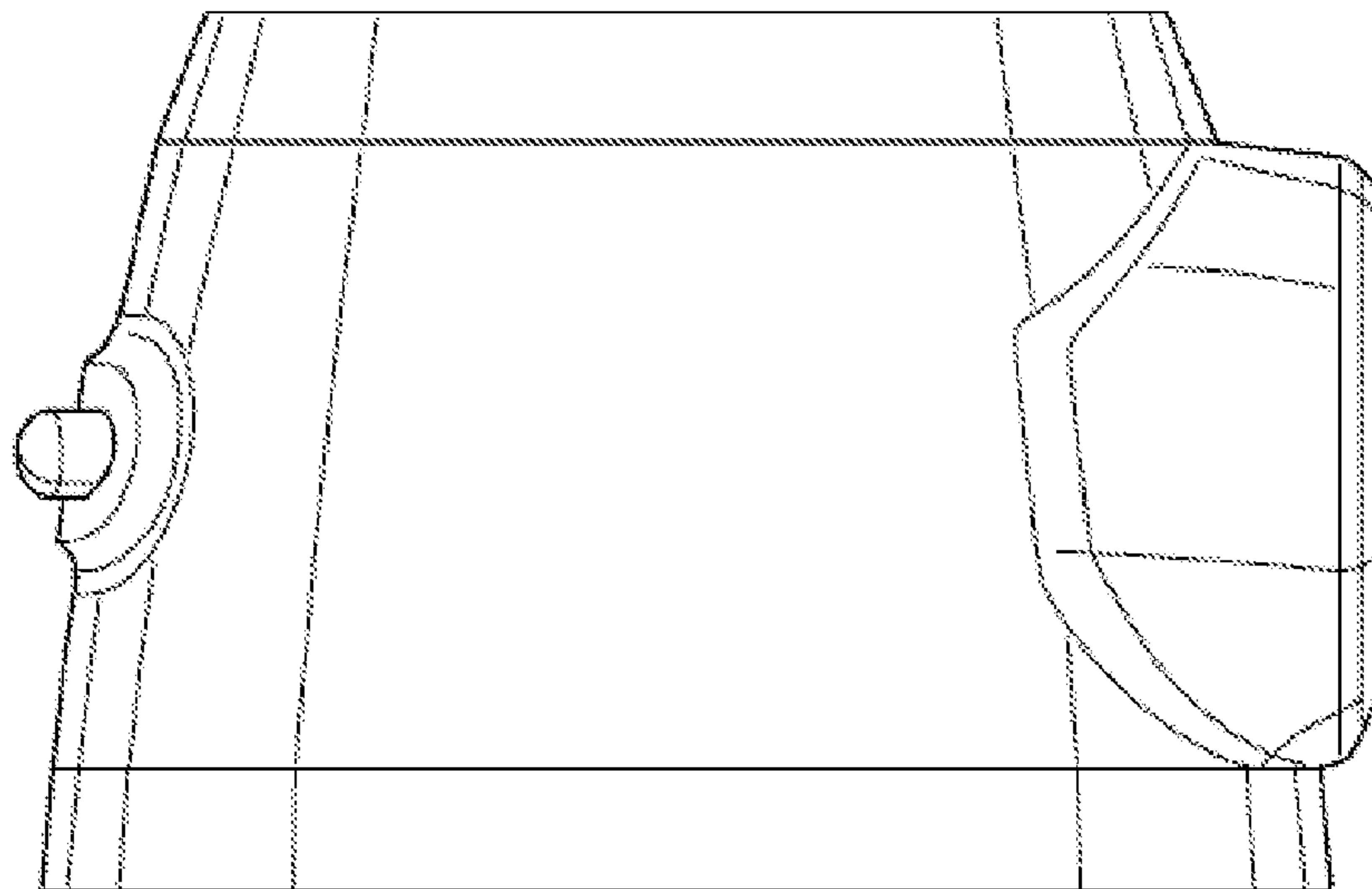


FIG. 10

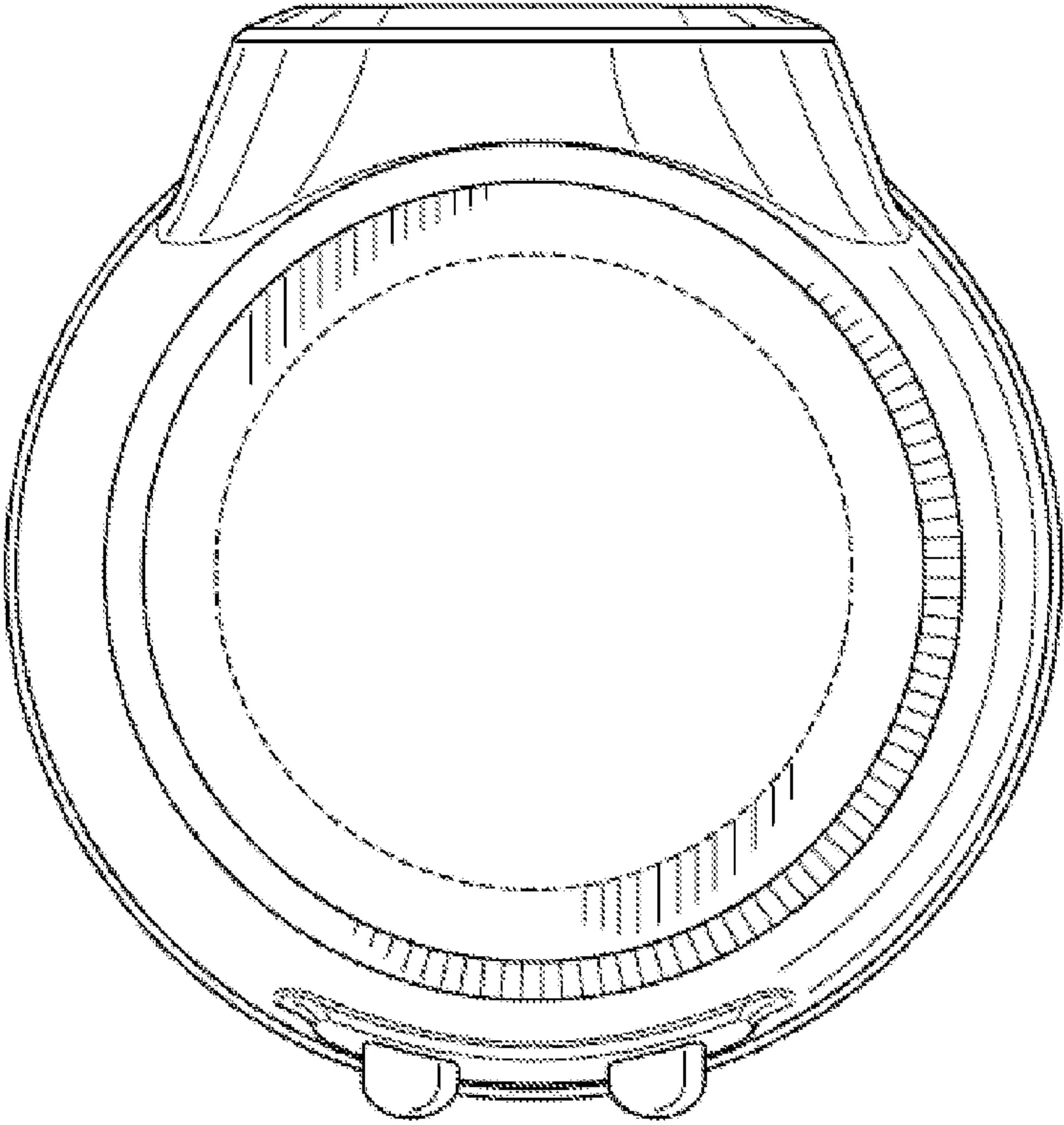


FIG. 11

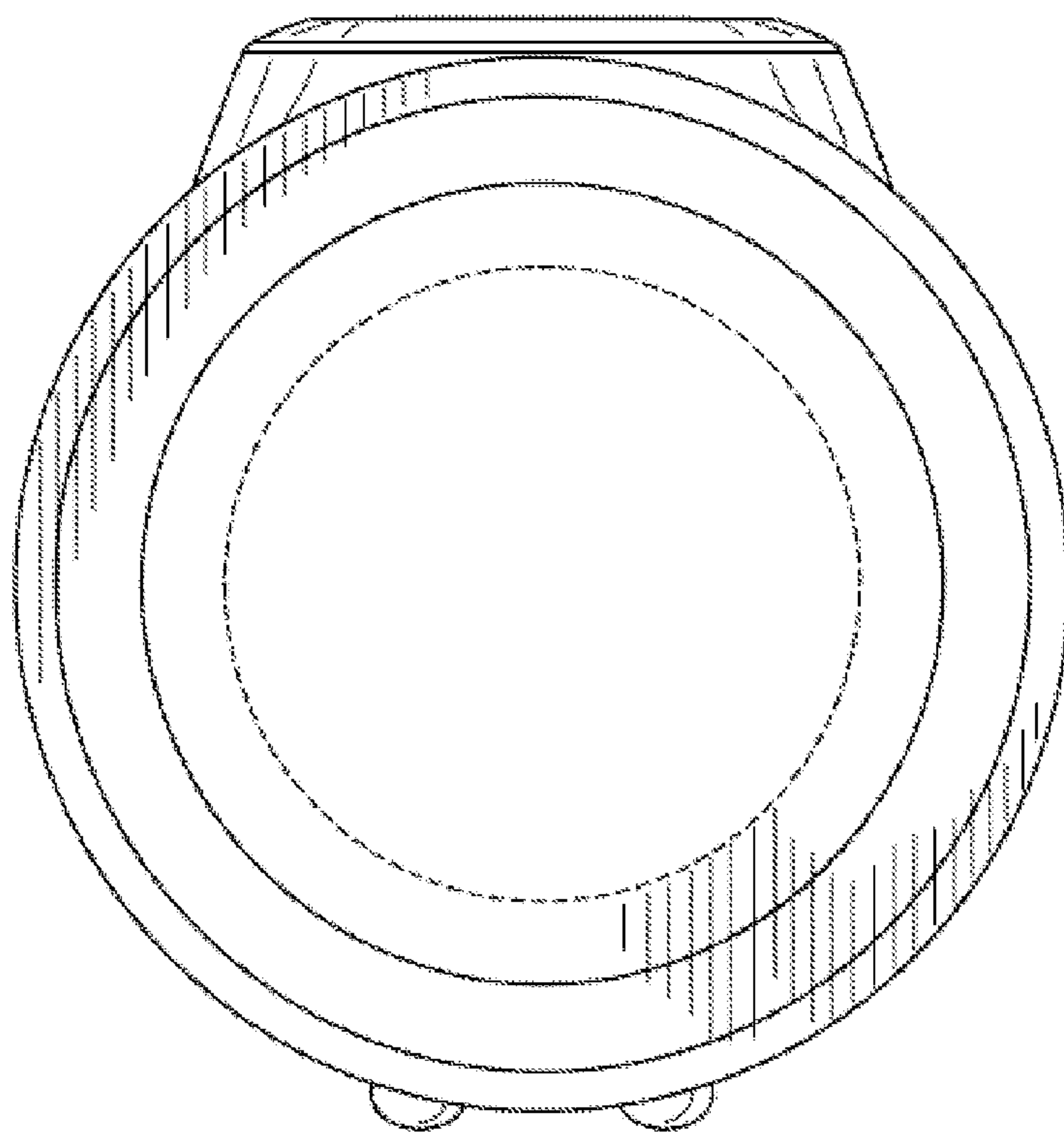


FIG. 12