



US00D757963S

(12) **United States Design Patent**  
**Auernhammer et al.**

(10) **Patent No.:** **US D757,963 S**  
(45) **Date of Patent:** **\*\* May 31, 2016**

(54) **LED LAMP**

*Primary Examiner* — Marcus Jackson

(71) Applicant: **OSRAM GmbH**, Munich (DE)

(57) **CLAIM**

The ornamental design for LED lamp, as shown and described.

(72) Inventors: **Marianne Auernhammer**, Monheim (DE); **Klaus Eckert**, Herbrechtingen (DE); **Carolin Muehlbauer**, Regensburg (DE); **Michael Rosenauer**, Regensburg (DE); **Henrike Streppel**, Regensburg (DE)

**DESCRIPTION**

(73) Assignee: **OSRAM GmbH**, Munich (DE)

FIG. 1 is a perspective view of a LED lamp according to a first embodiment,  
FIG. 2 is a front view of the LED lamp according to the first embodiment,  
FIG. 3 is a back view of the LED lamp according to the first embodiment,  
FIG. 4 is a right side view of the LED lamp according to the first embodiment,  
FIG. 5 is a left side view of the LED lamp according to the first embodiment,  
FIG. 6 is a top view of the LED lamp according to the first embodiment,  
FIG. 7 is a bottom view of the LED lamp according to the first embodiment,  
FIG. 8 is a perspective view of the LED lamp according to a second embodiment,  
FIG. 9 is a front view of the LED lamp according to the second embodiment,  
FIG. 10 is a back view of the LED lamp according to the second embodiment,  
FIG. 11 is a right side view of the LED lamp according to the second embodiment,  
FIG. 12 is a left side view of the LED lamp according to the second embodiment,  
FIG. 13 is a top view of the LED lamp according to the second embodiment,  
FIG. 14 is a bottom view of the LED lamp according to the second embodiment,  
FIG. 15 is a perspective view of the LED lamp according to a third embodiment,  
FIG. 16 is a front view of the LED lamp according to the third embodiment,  
FIG. 17 is a back view of the LED lamp according to the third embodiment,  
FIG. 18 is a right side view of the LED lamp according to the third embodiment,

(\*\*) Term: **14 Years**

(21) Appl. No.: **29/508,035**

(22) Filed: **Nov. 3, 2014**

**Related U.S. Application Data**

(63) Continuation of application No. 29/468,724, filed on Apr. 2, 2014, now Pat. No. Des. 736,967.

(30) **Foreign Application Priority Data**

Oct. 8, 2013 (EM) ..... 002321828

(51) **LOC (10) Cl.** ..... **26-06**

(52) **U.S. Cl.**  
USPC ..... **D26/2**

(58) **Field of Classification Search**  
USPC ..... D26/1-4; 313/313, 315, 316, 317, 318, 313/493; 315/52, 53, 56, 57, 58  
CPC ..... H01J 5/48; H01J 5/50; H01J 19/54; F21V 5/00  
See application file for complete search history.

(56) **References Cited**

**U.S. PATENT DOCUMENTS**

D508,575 S \* 8/2005 Buschmann ..... D26/2  
D680,246 S \* 4/2013 Jang ..... D26/2

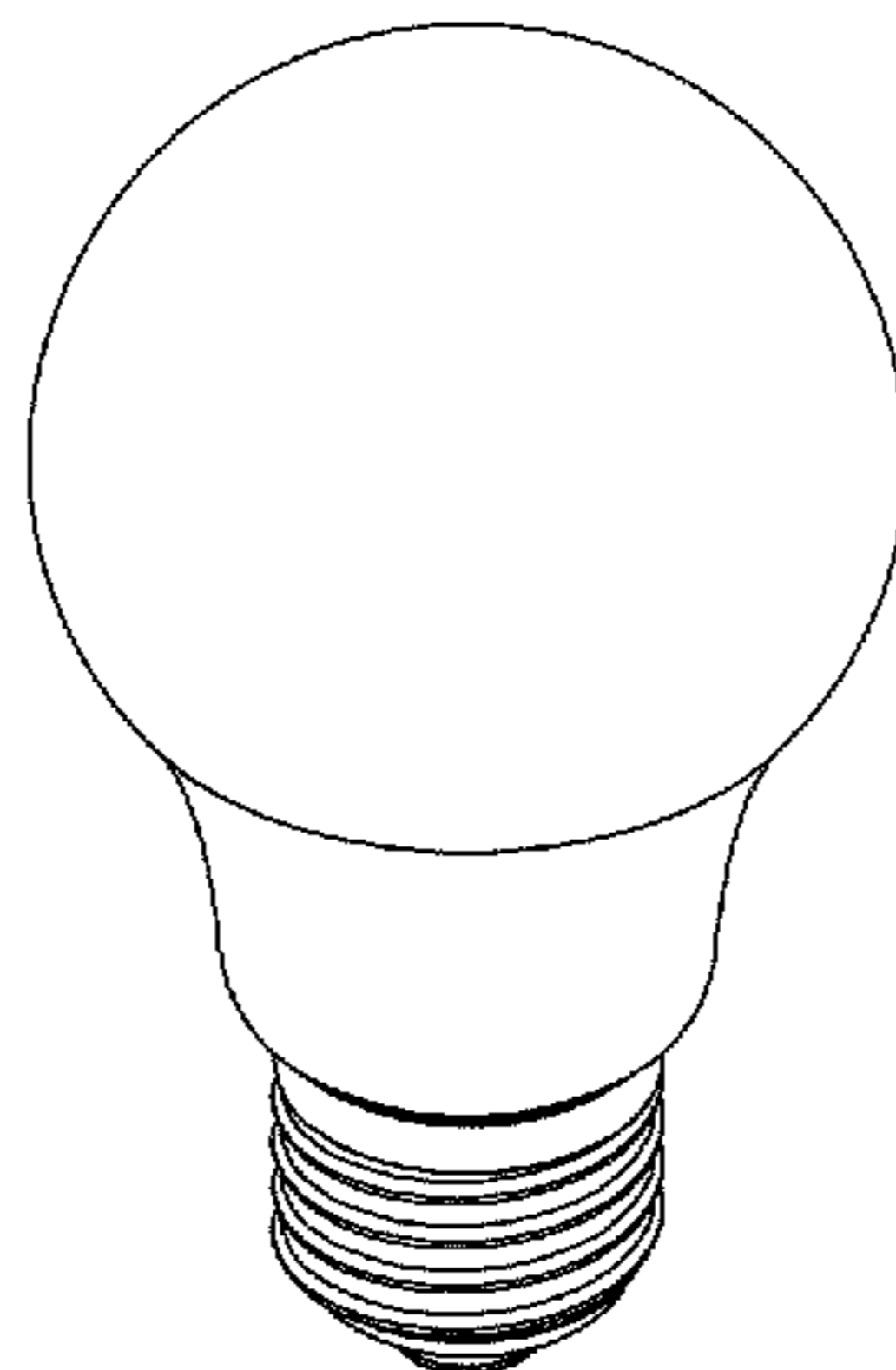


FIG. **19** is a left side view of the LED lamp according to the third embodiment,  
FIG. **20** is a top view of the LED lamp according to the third embodiment,  
FIG. **21** is a bottom view of the LED lamp according to the third embodiment,  
FIG. **22** is a perspective view of the LED lamp according to a fourth embodiment,  
FIG. **23** is a front view of the LED lamp according to the fourth embodiment,  
FIG. **24** is a back view of the LED lamp according to the fourth embodiment,

FIG. **25** is a right side view of the LED lamp according to the fourth embodiment,  
FIG. **26** is a left side view of the LED lamp according to the fourth embodiment,  
FIG. **27** is a top view of the LED lamp according to the fourth embodiment; and,  
FIG. **28** is a bottom view of the LED lamp according to the fourth embodiment.

**1 Claim, 4 Drawing Sheets**

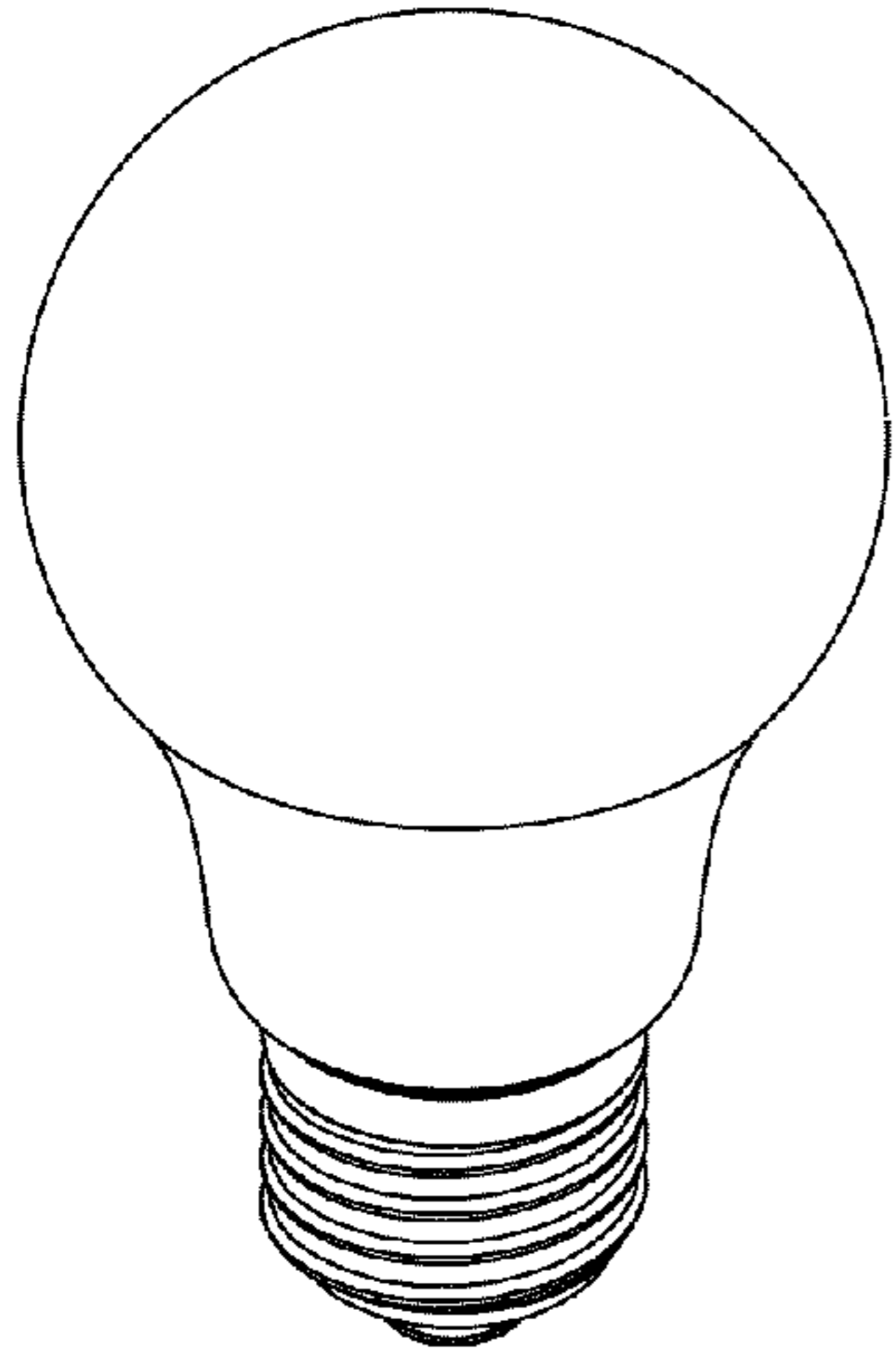


FIG. 1

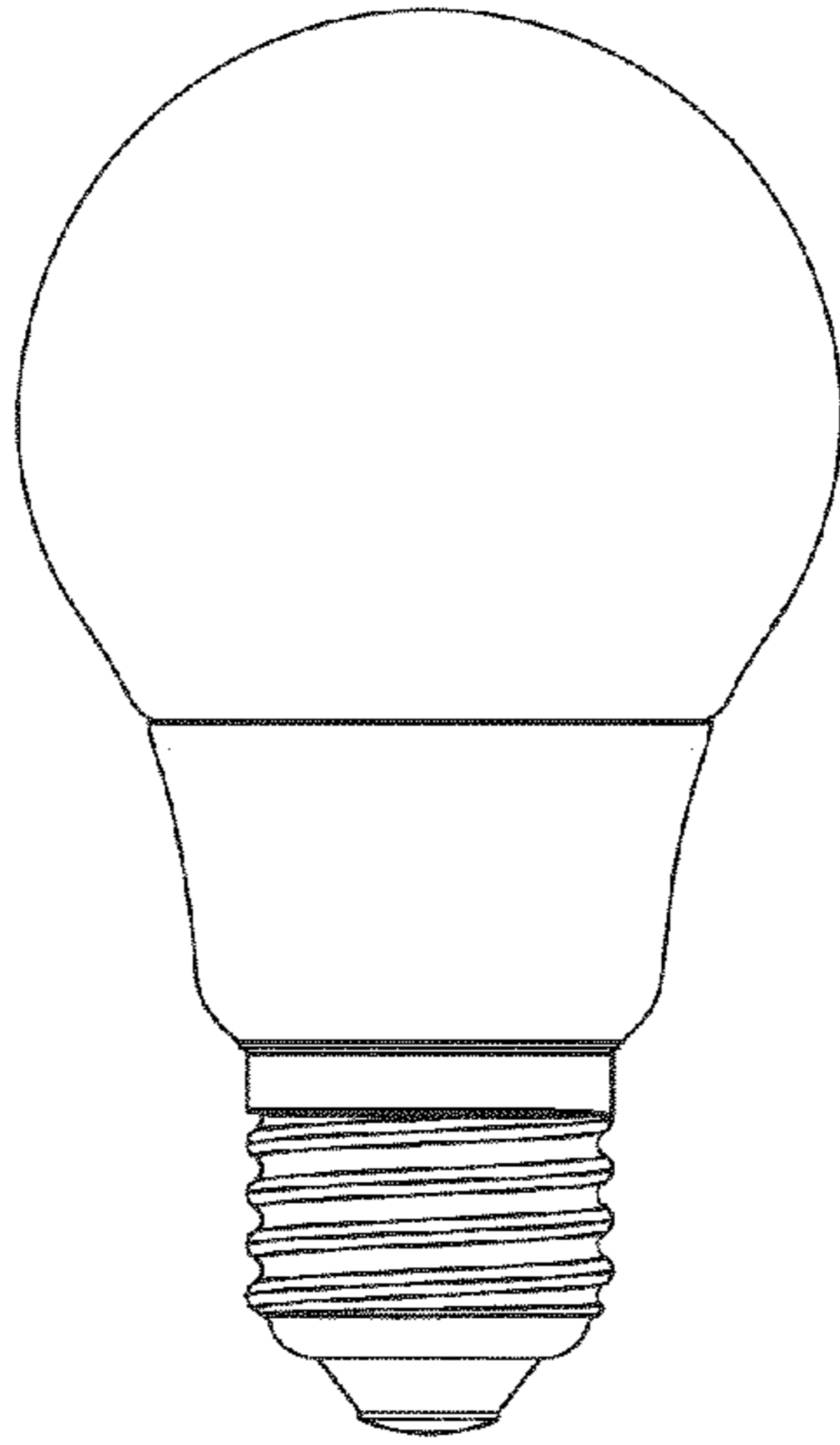


FIG. 2

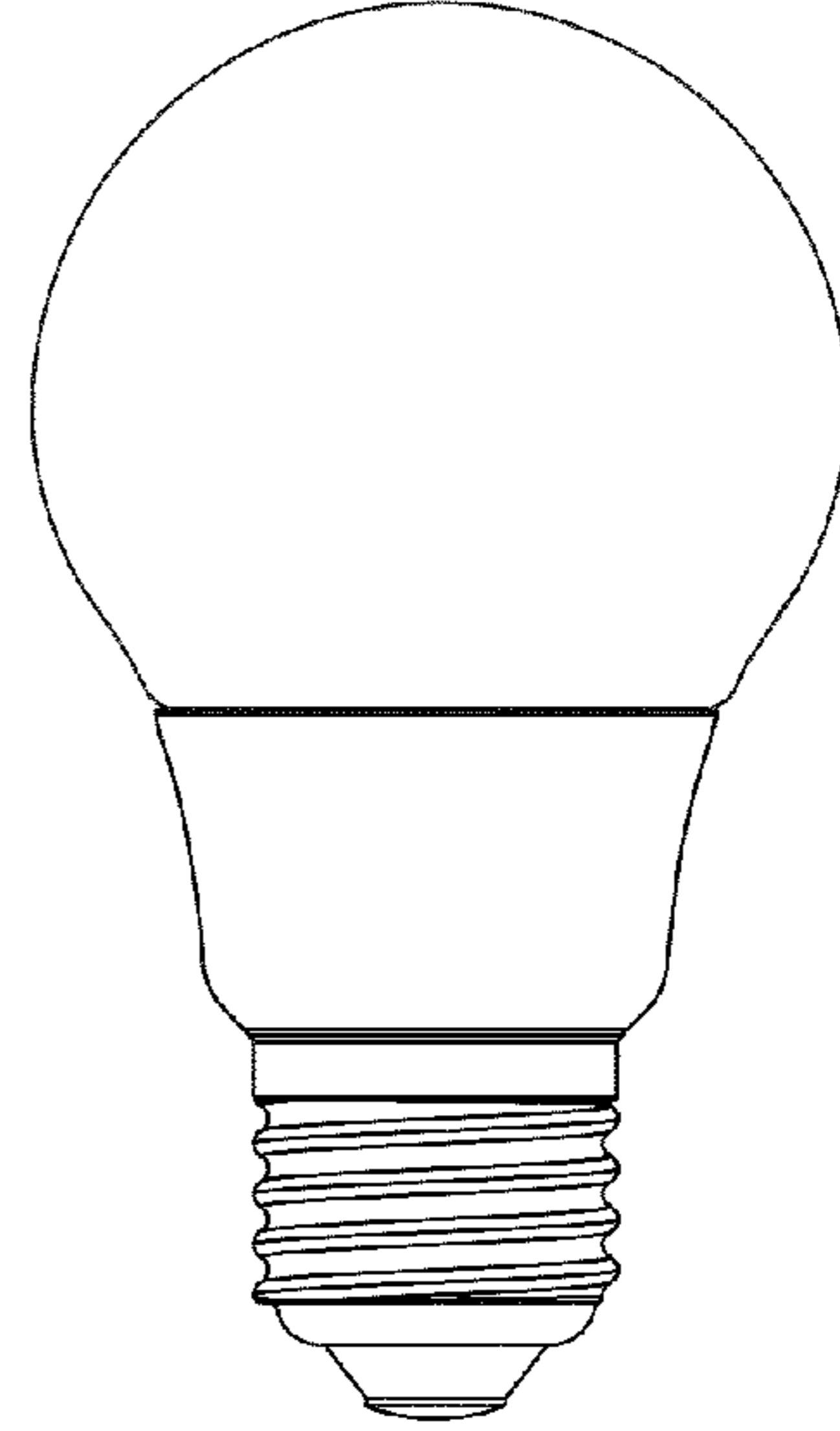


FIG. 3

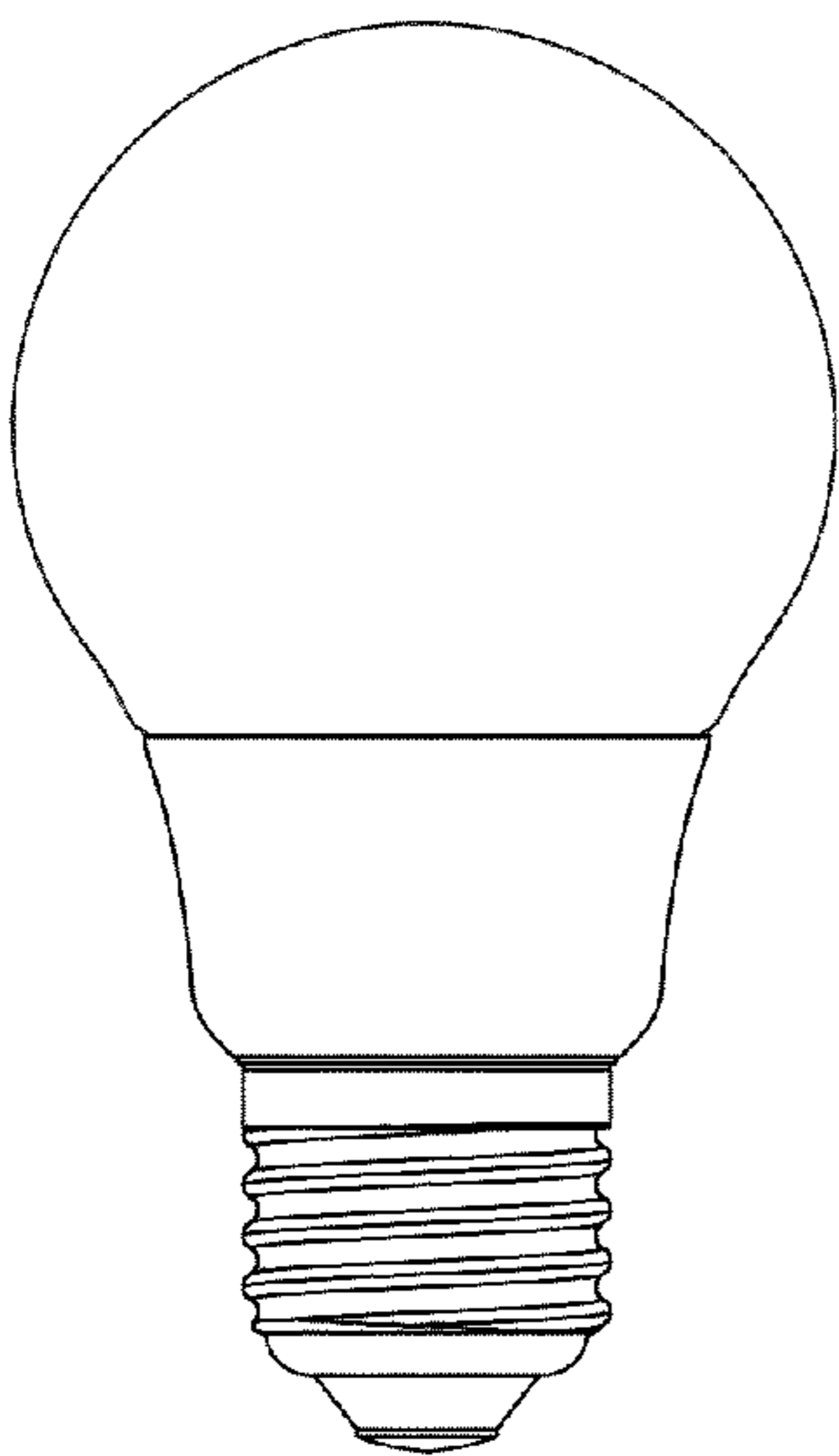


FIG. 4

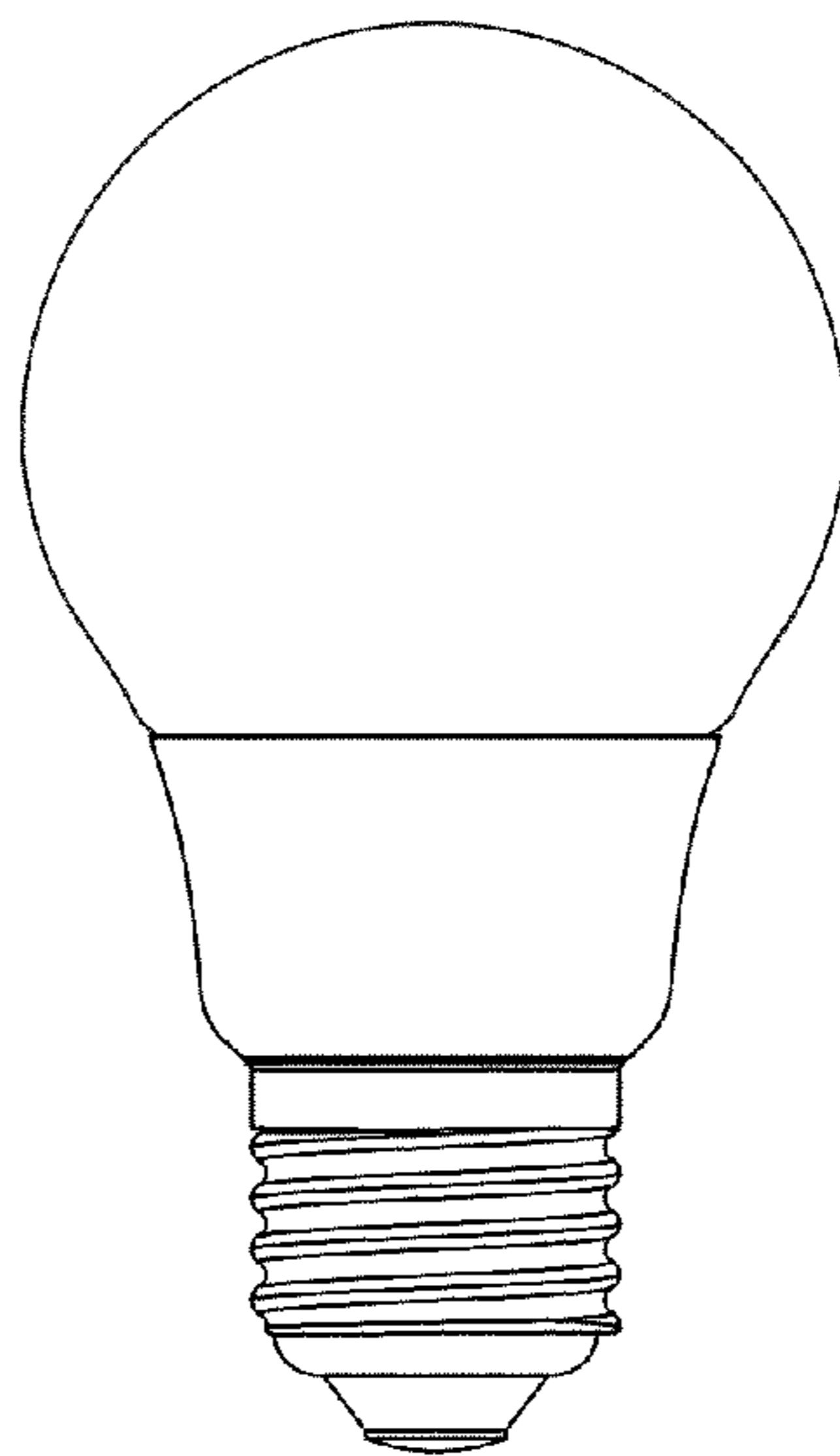


FIG. 5

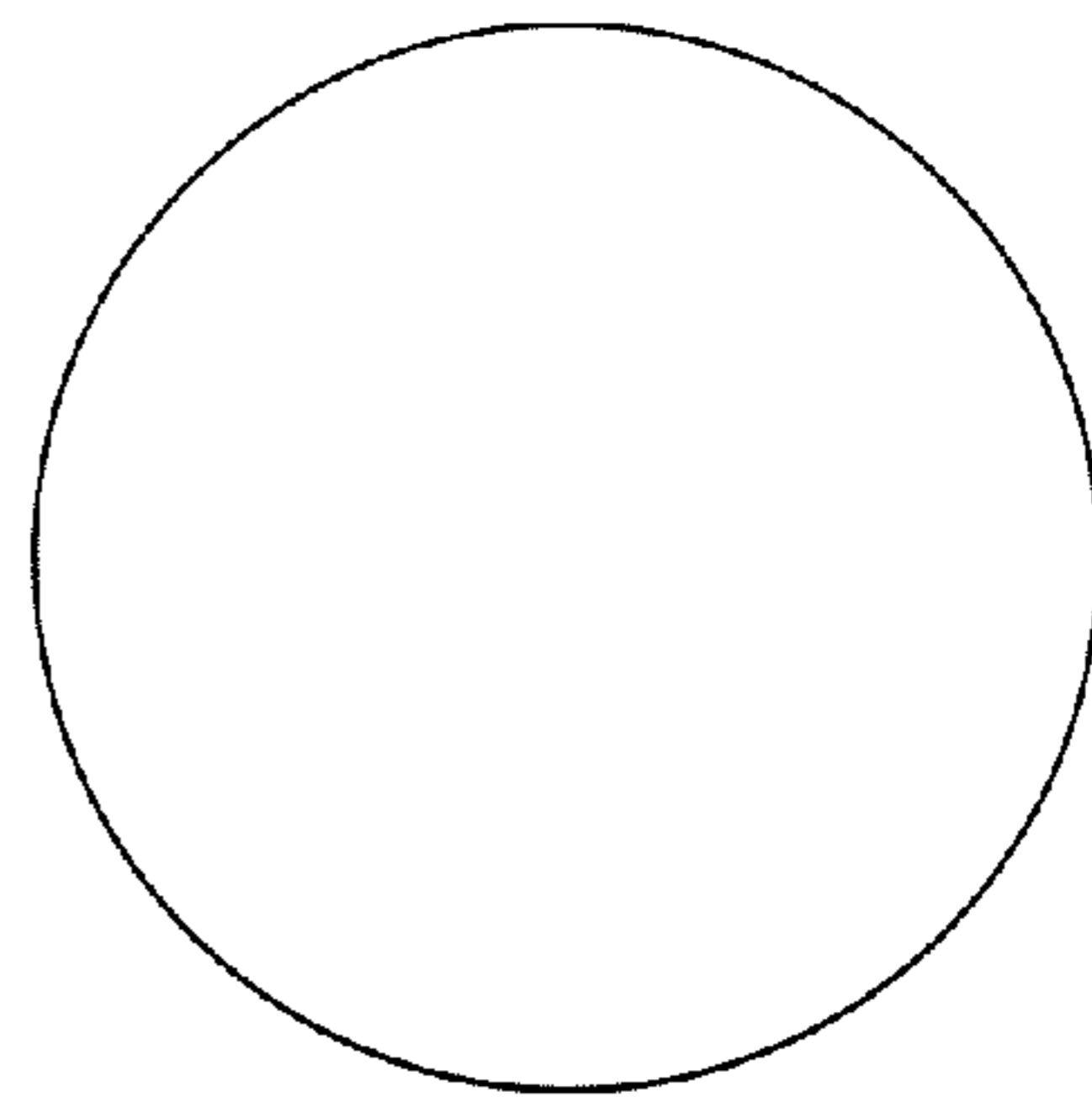


FIG. 6

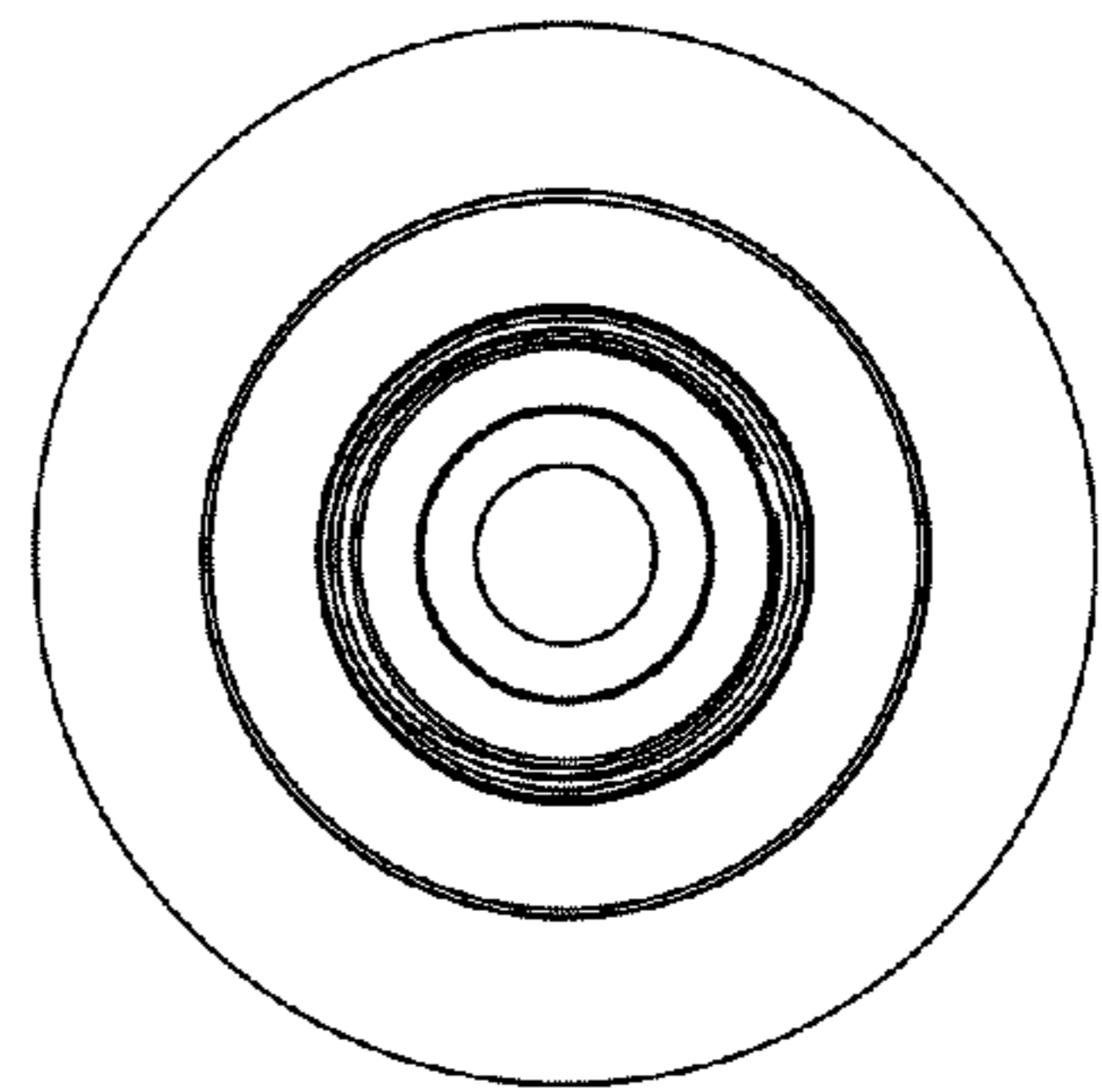


FIG. 7

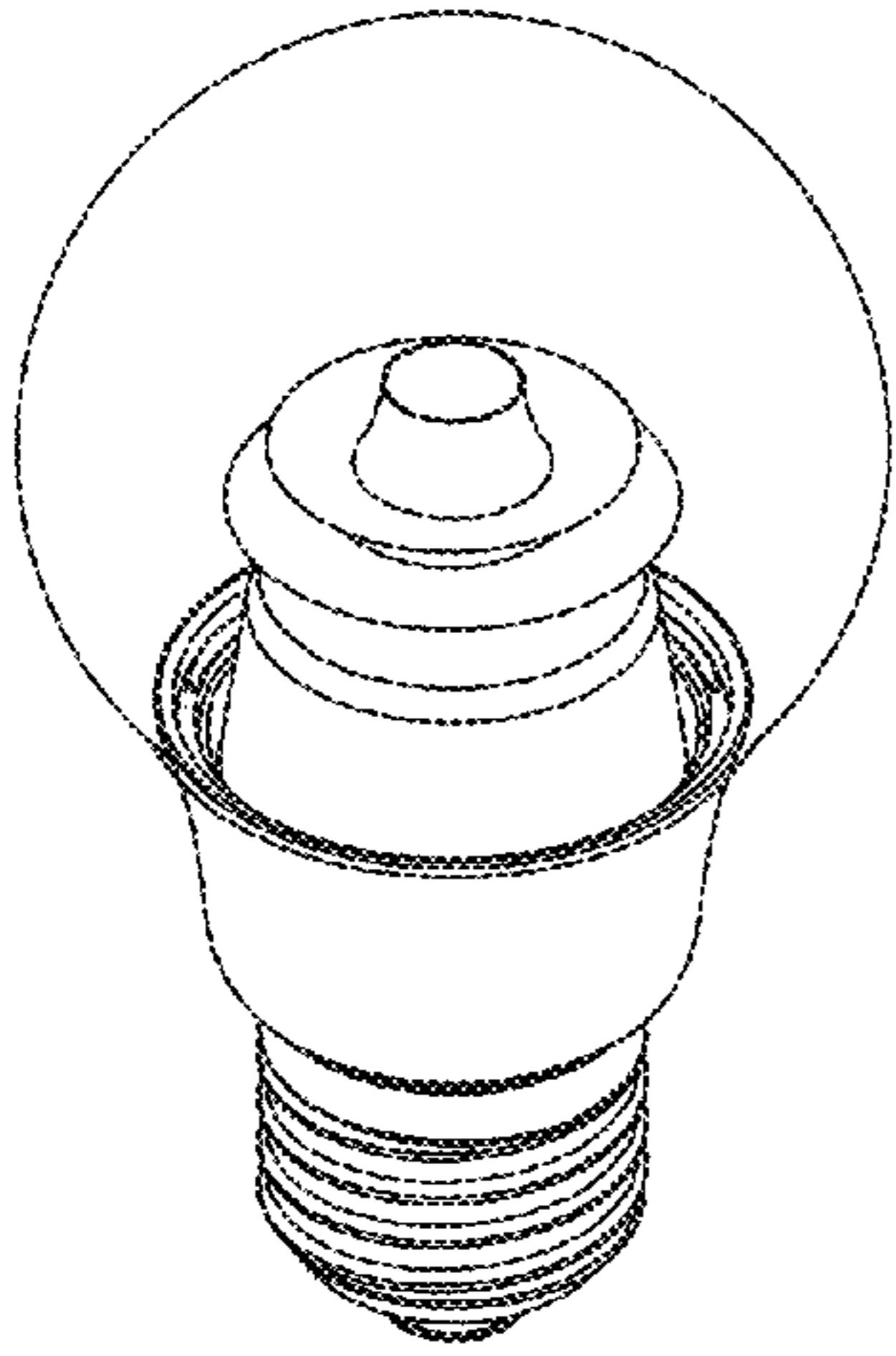


FIG. 8

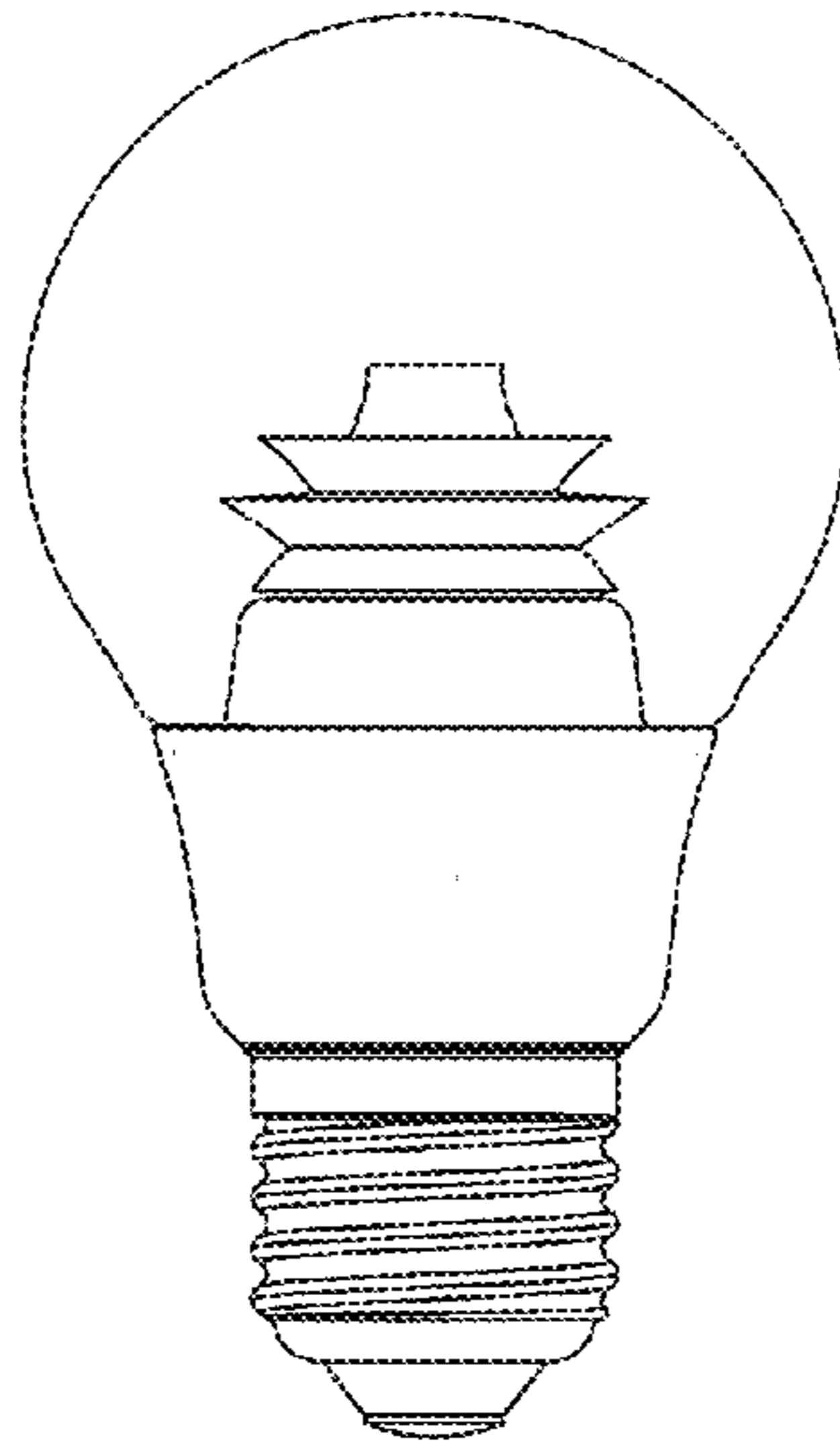


FIG. 9

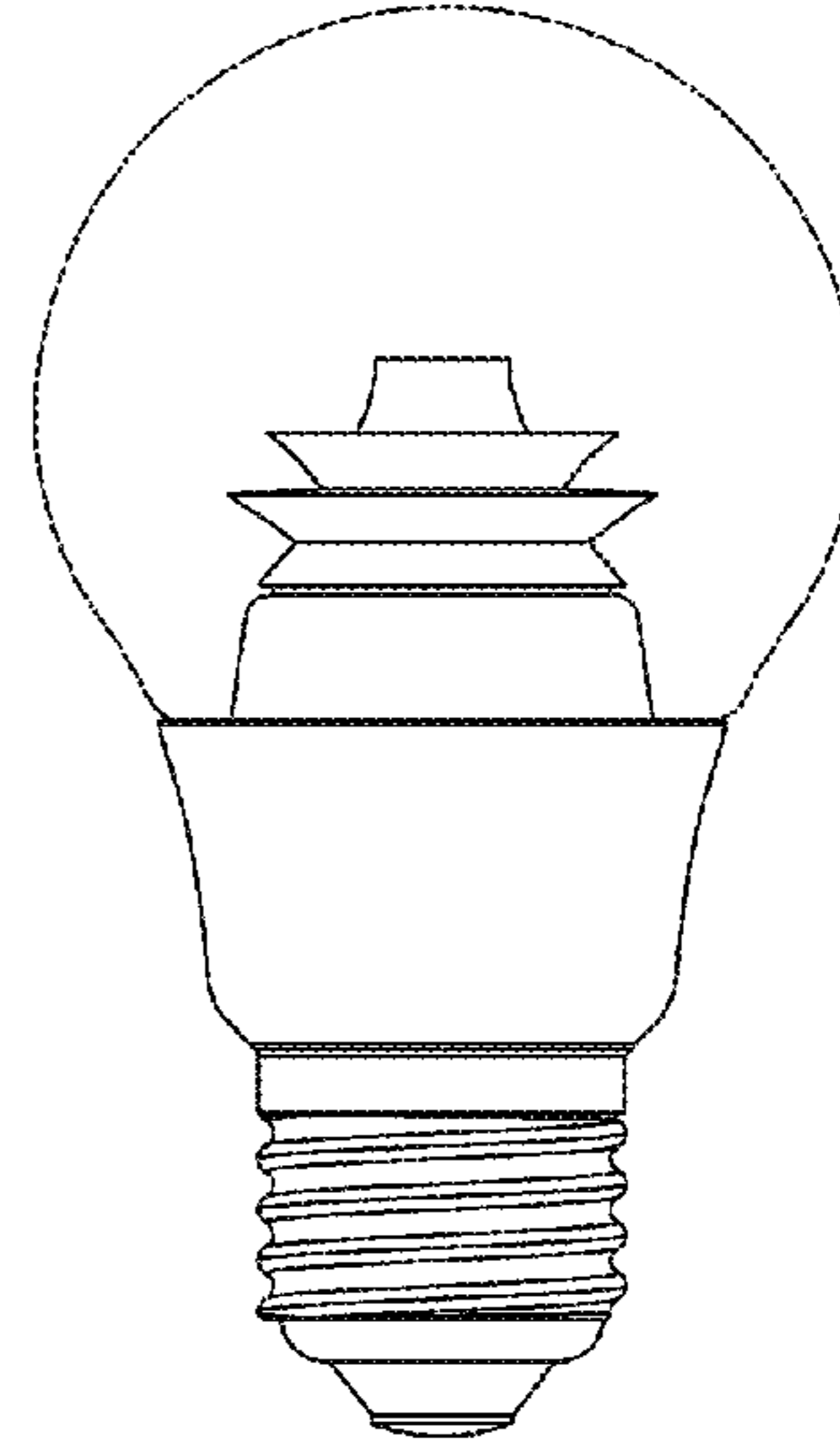


FIG. 10

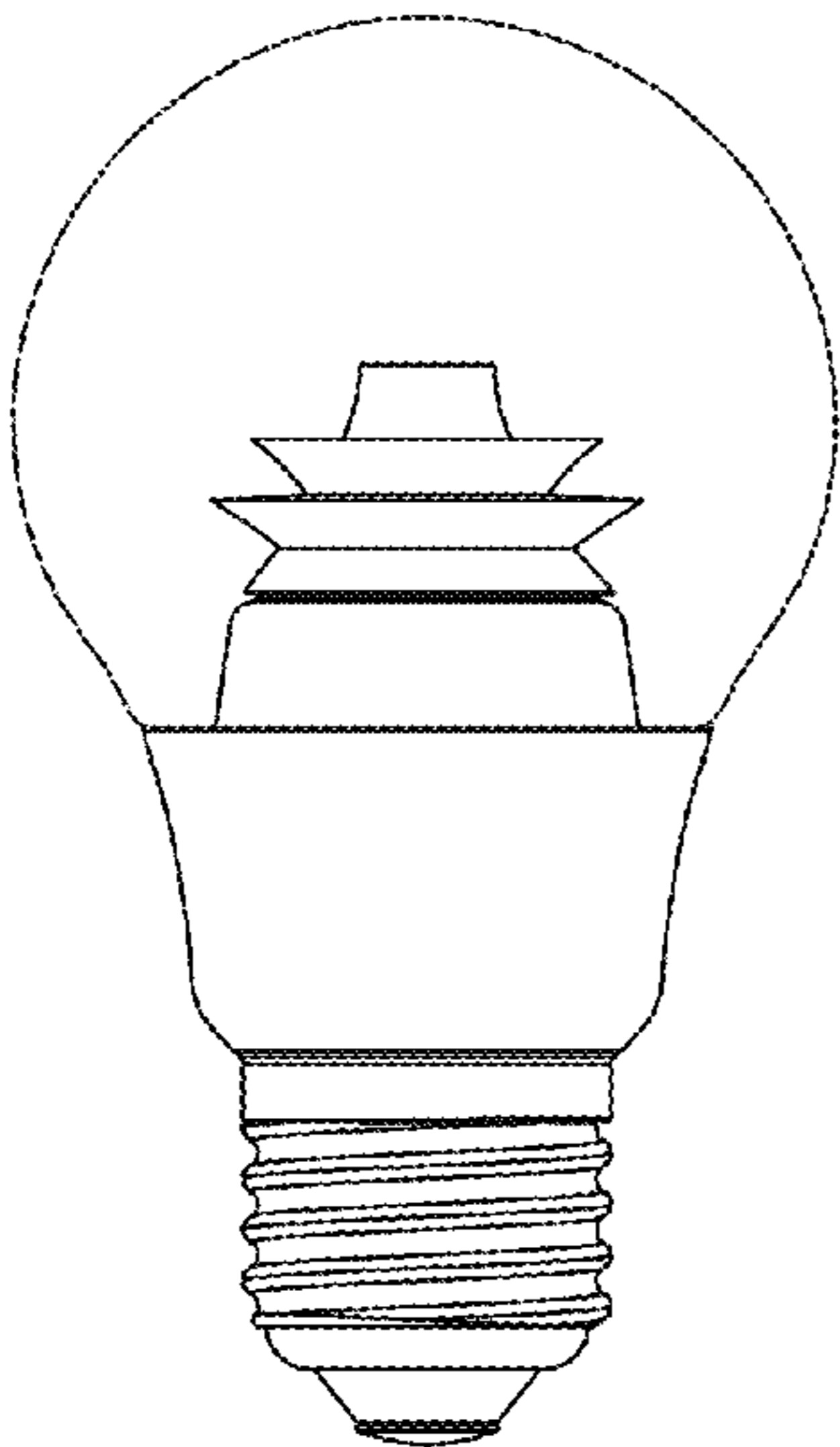


FIG. 11

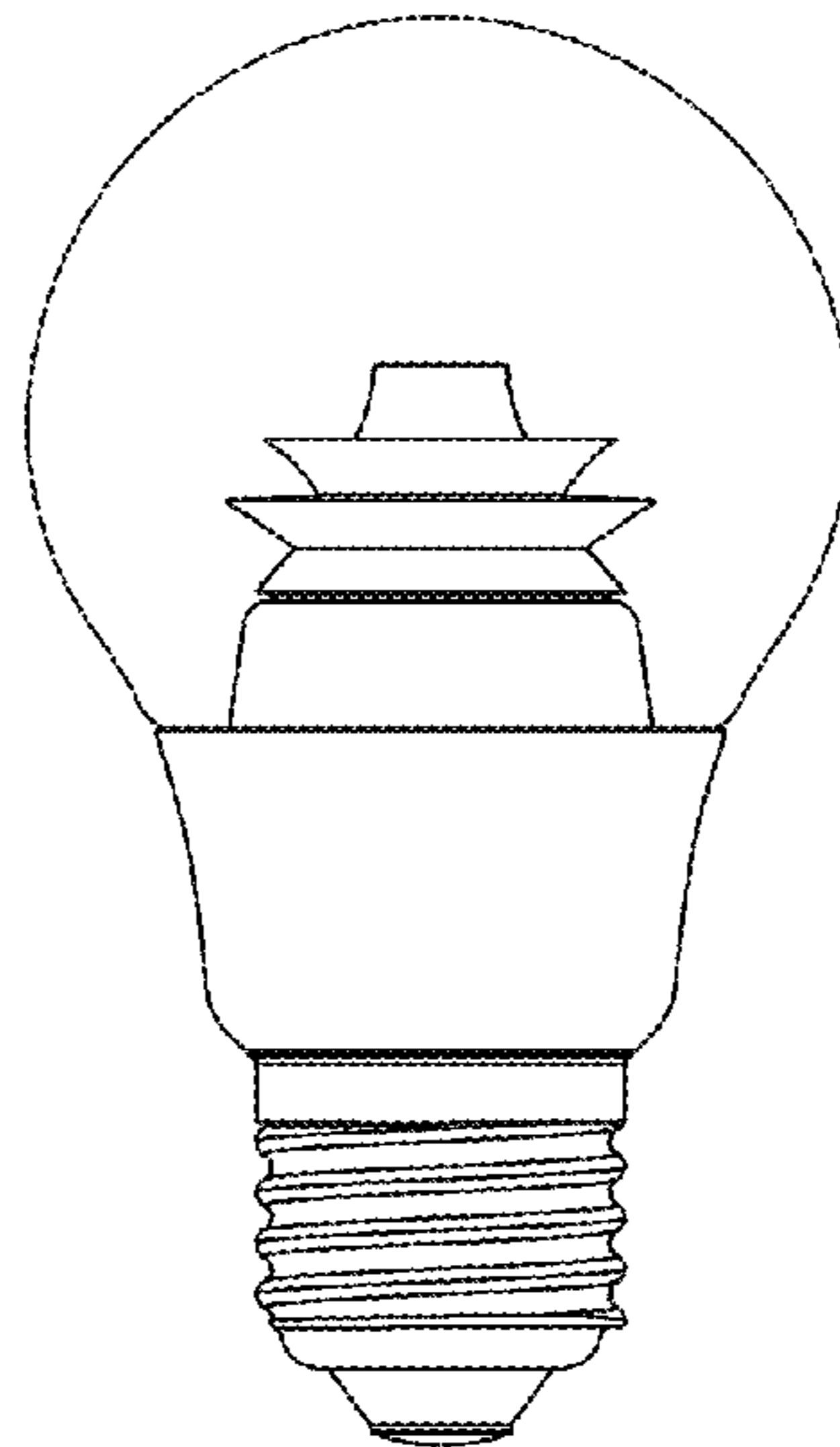


FIG. 12

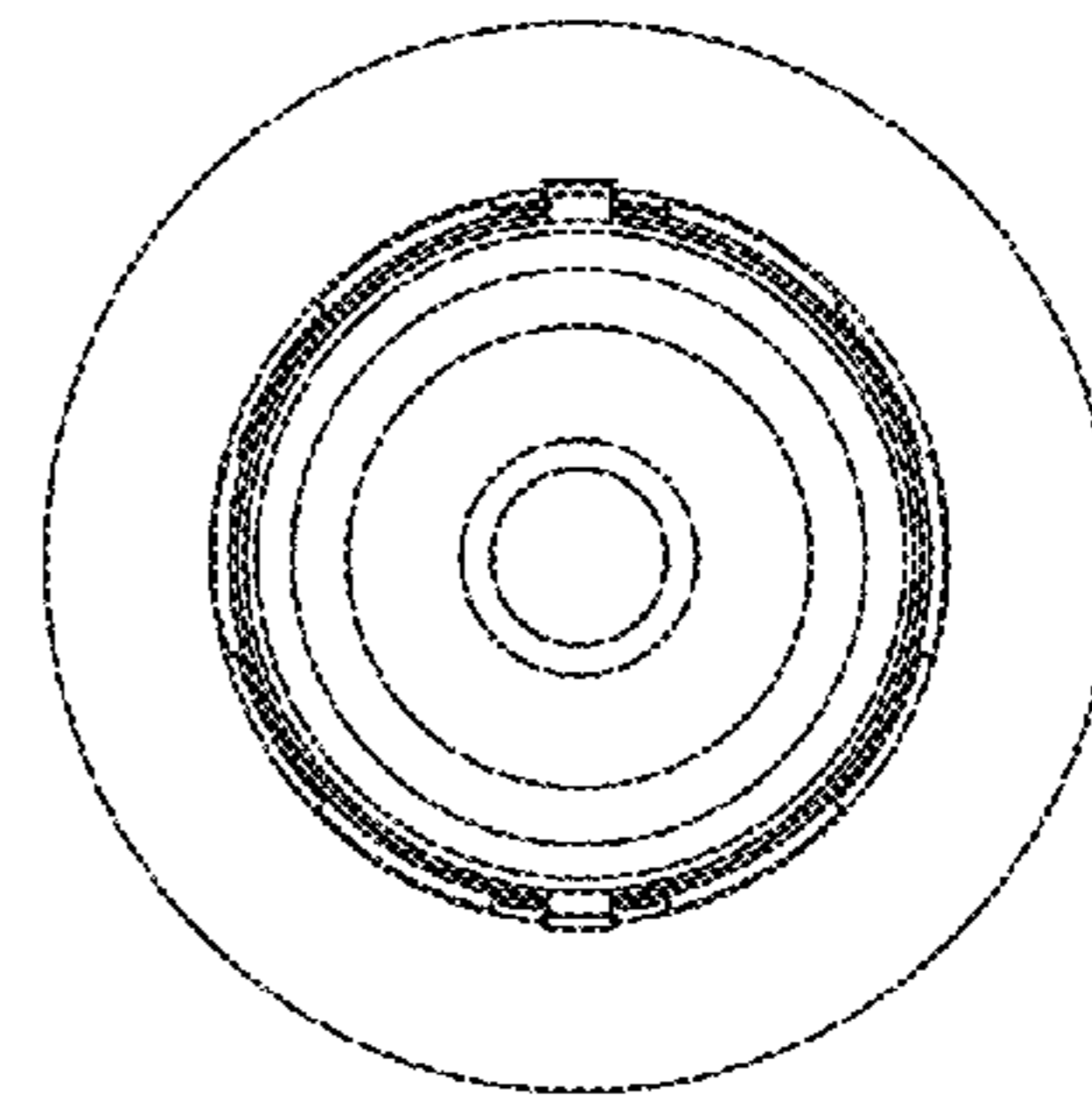


FIG. 13

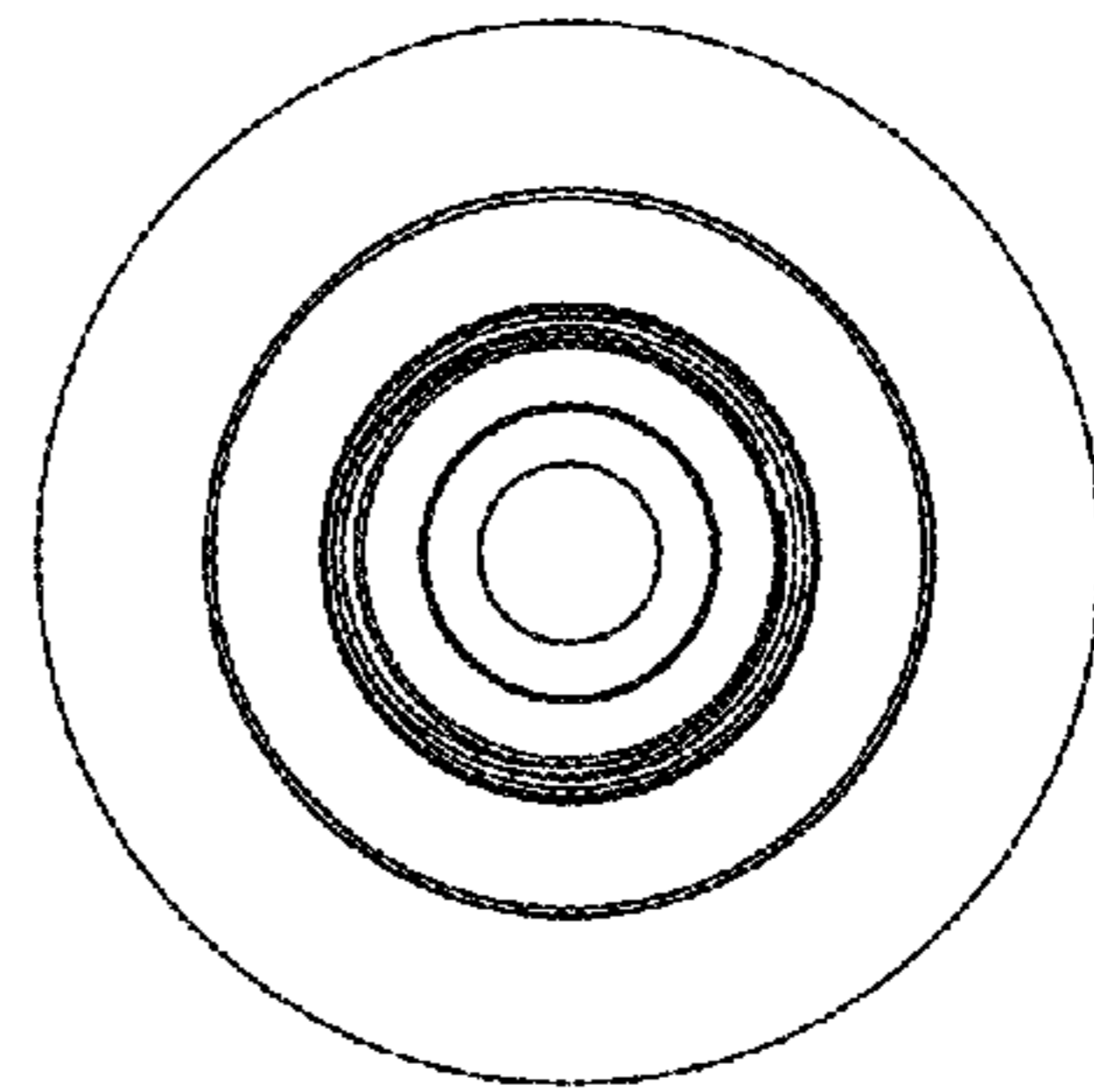


FIG. 14

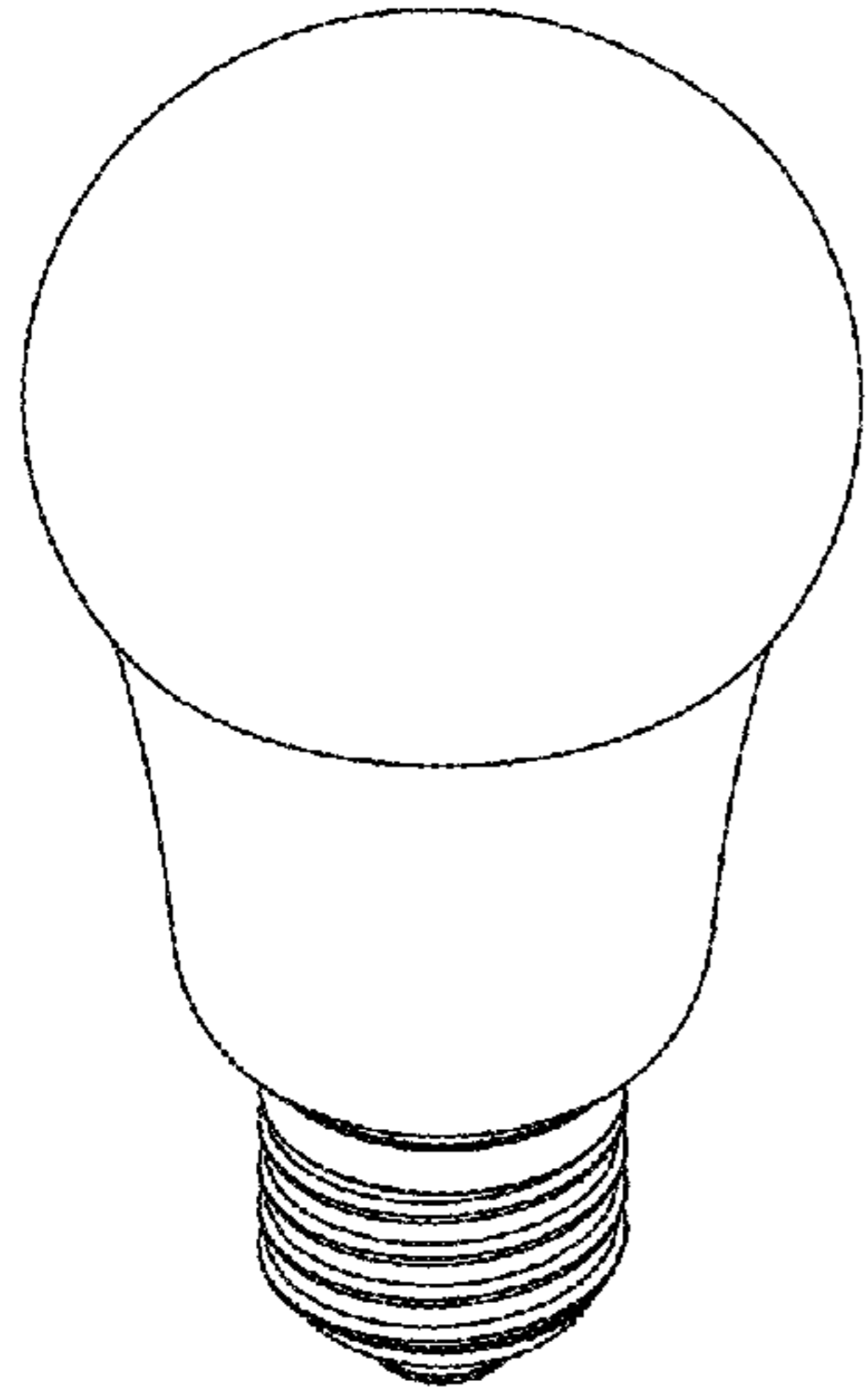


FIG. 15

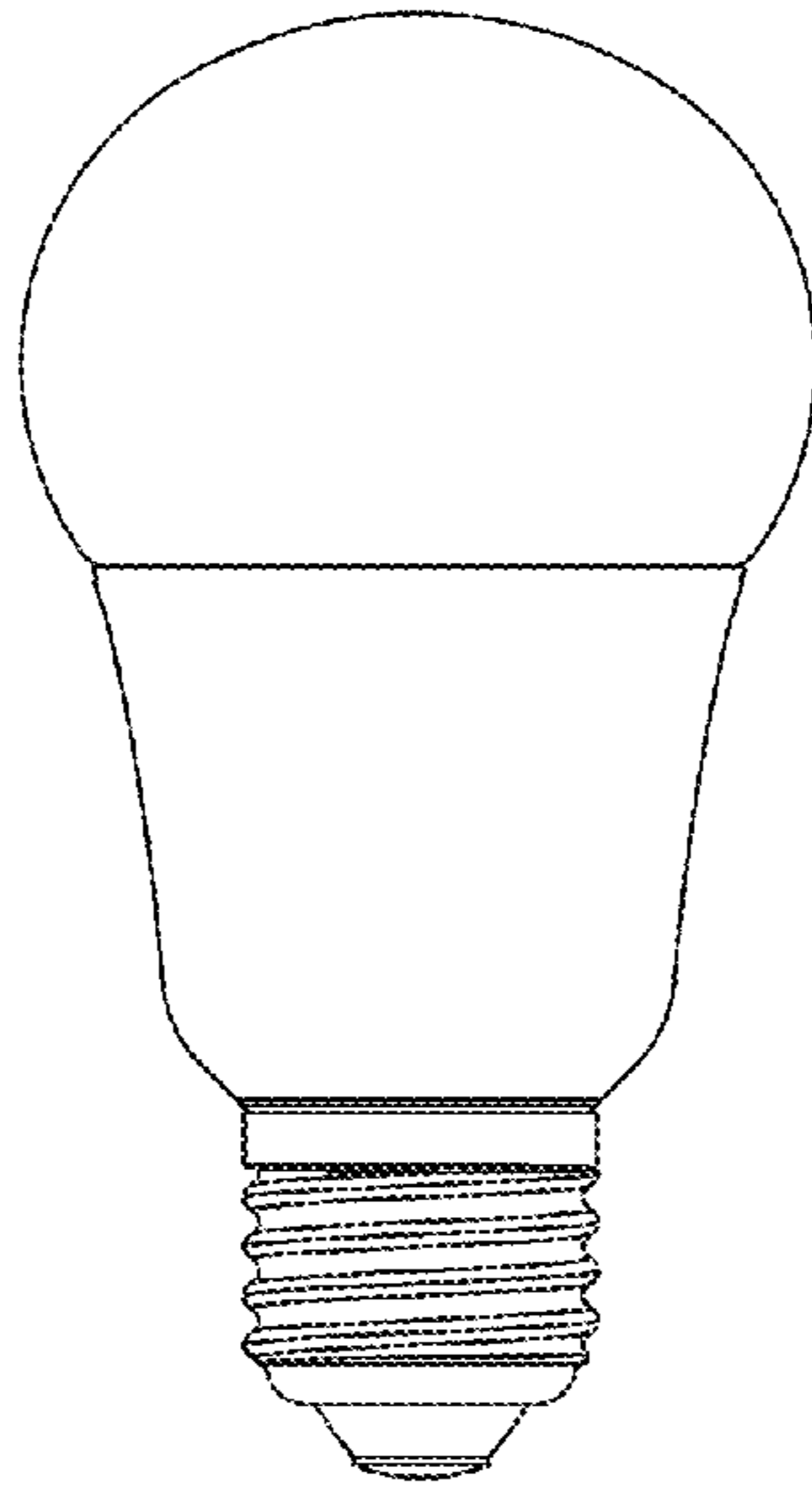


FIG. 16

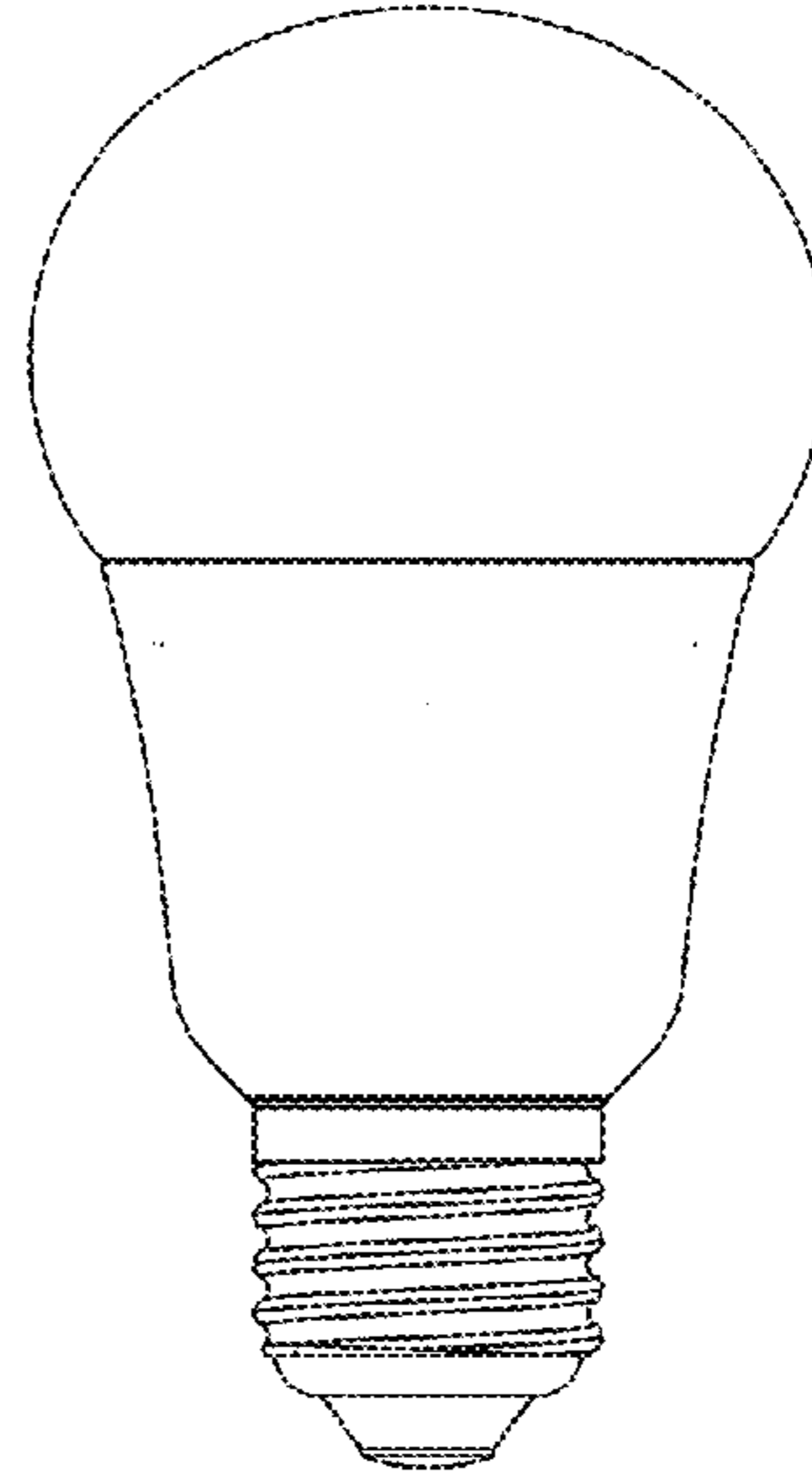


FIG. 17

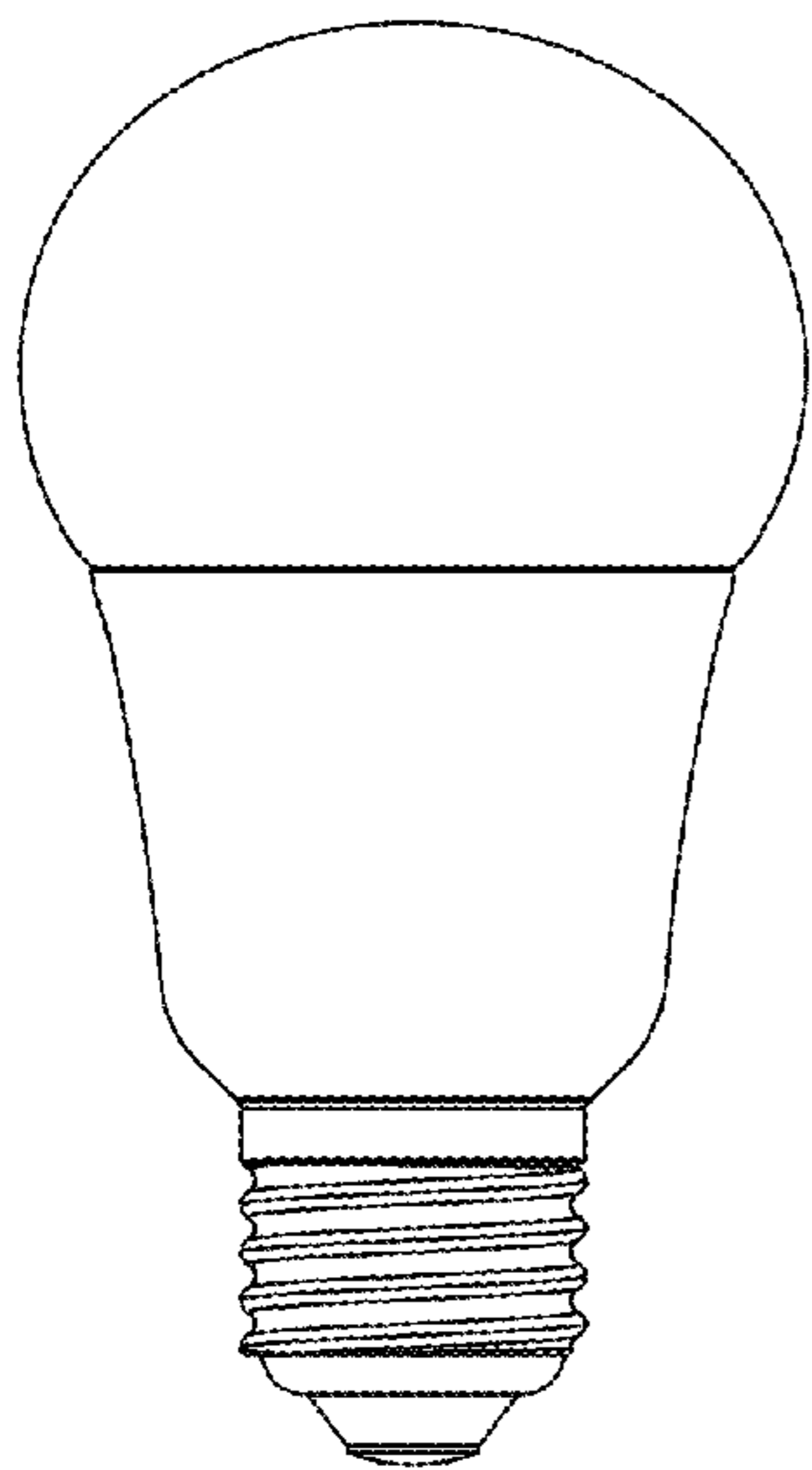


FIG. 18

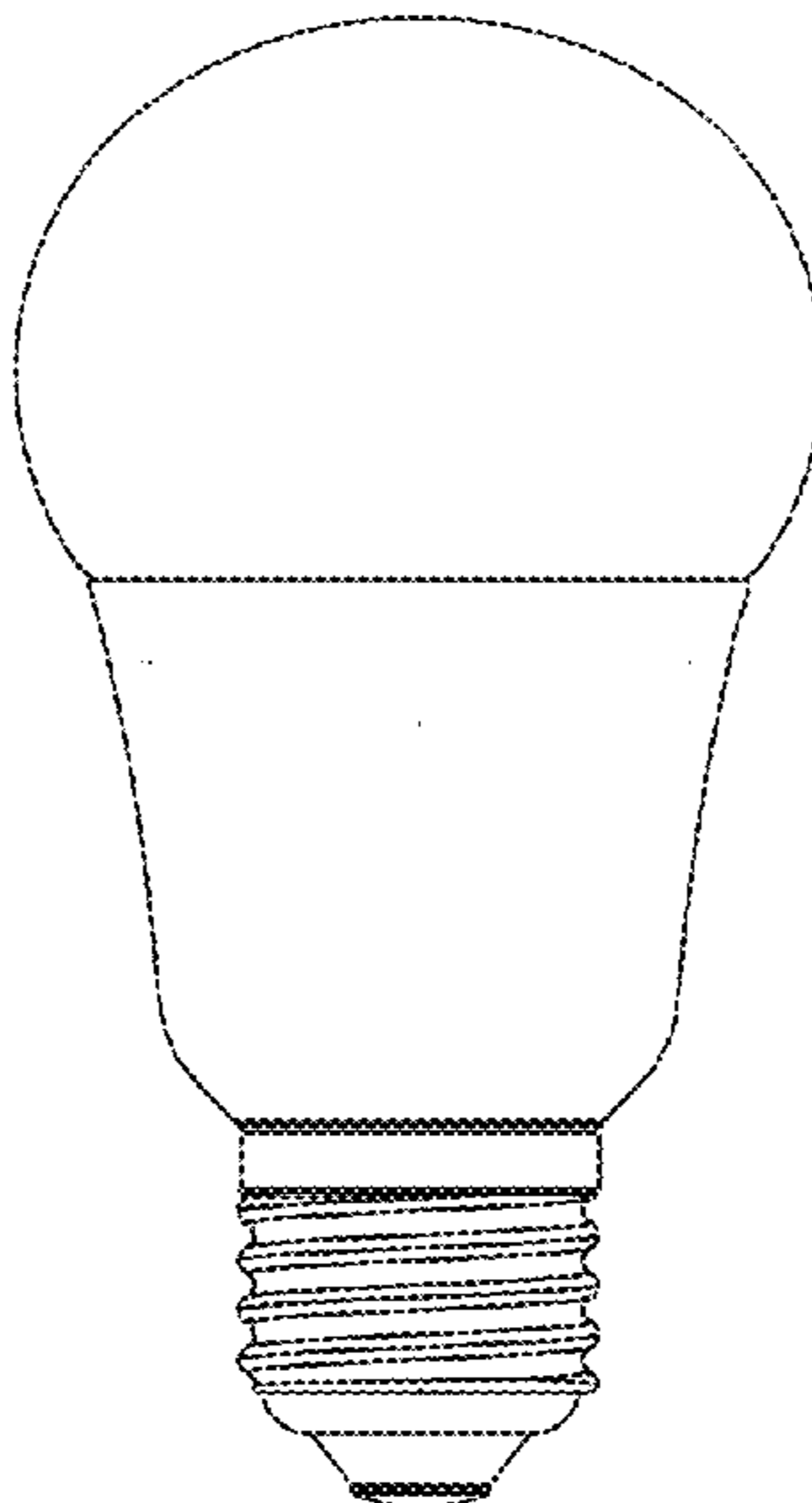


FIG. 19

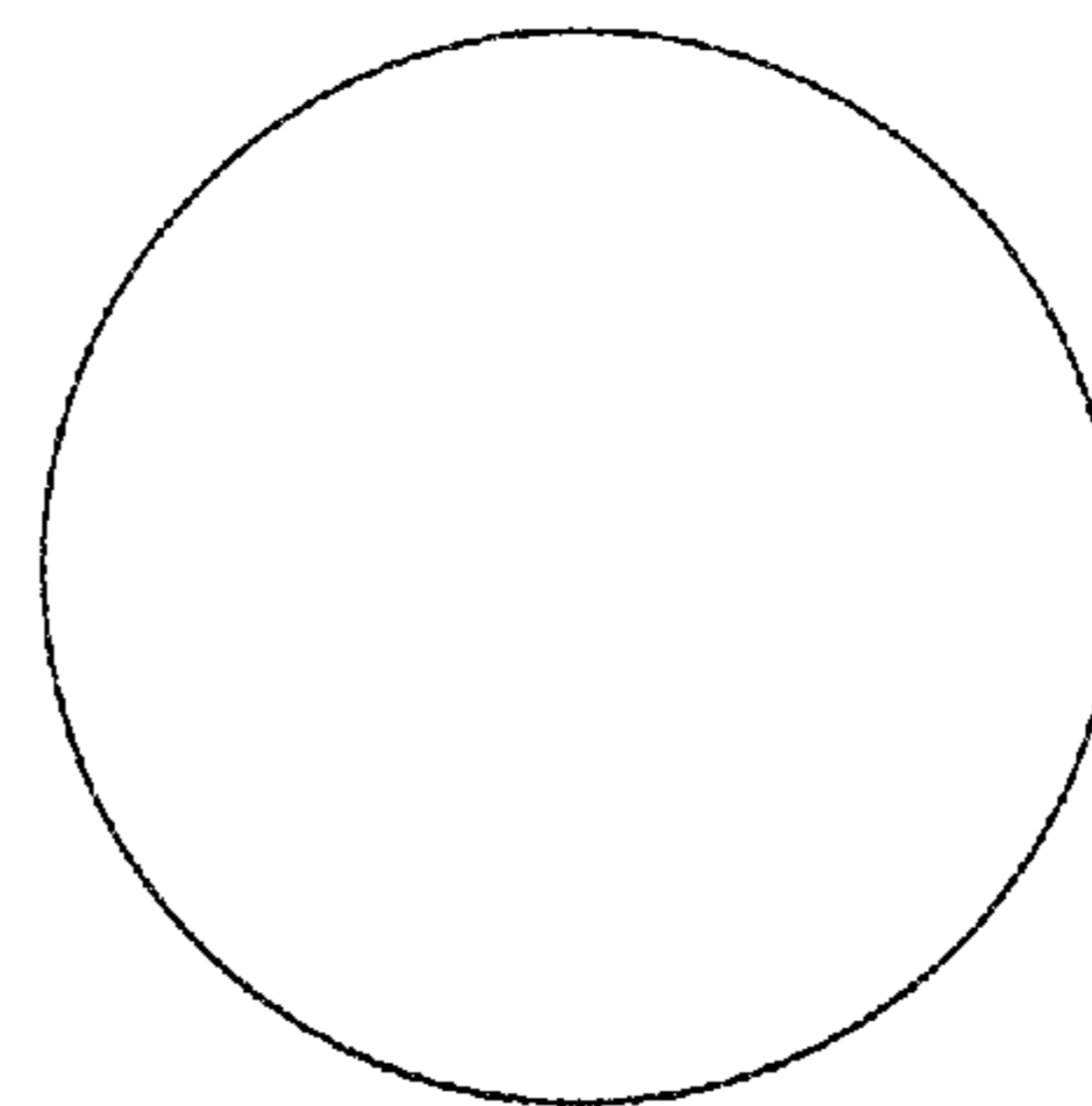


FIG. 20

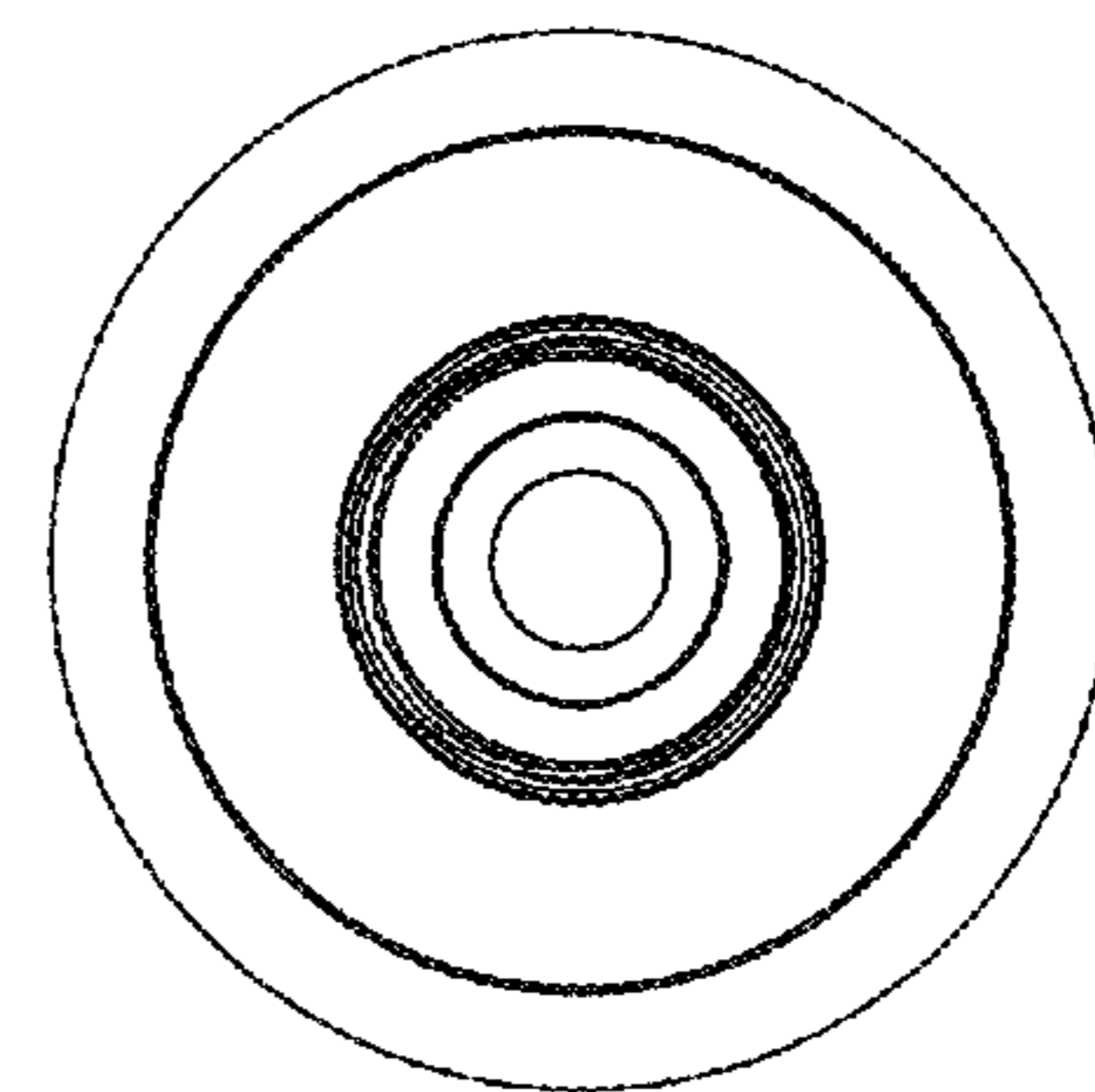


FIG. 21

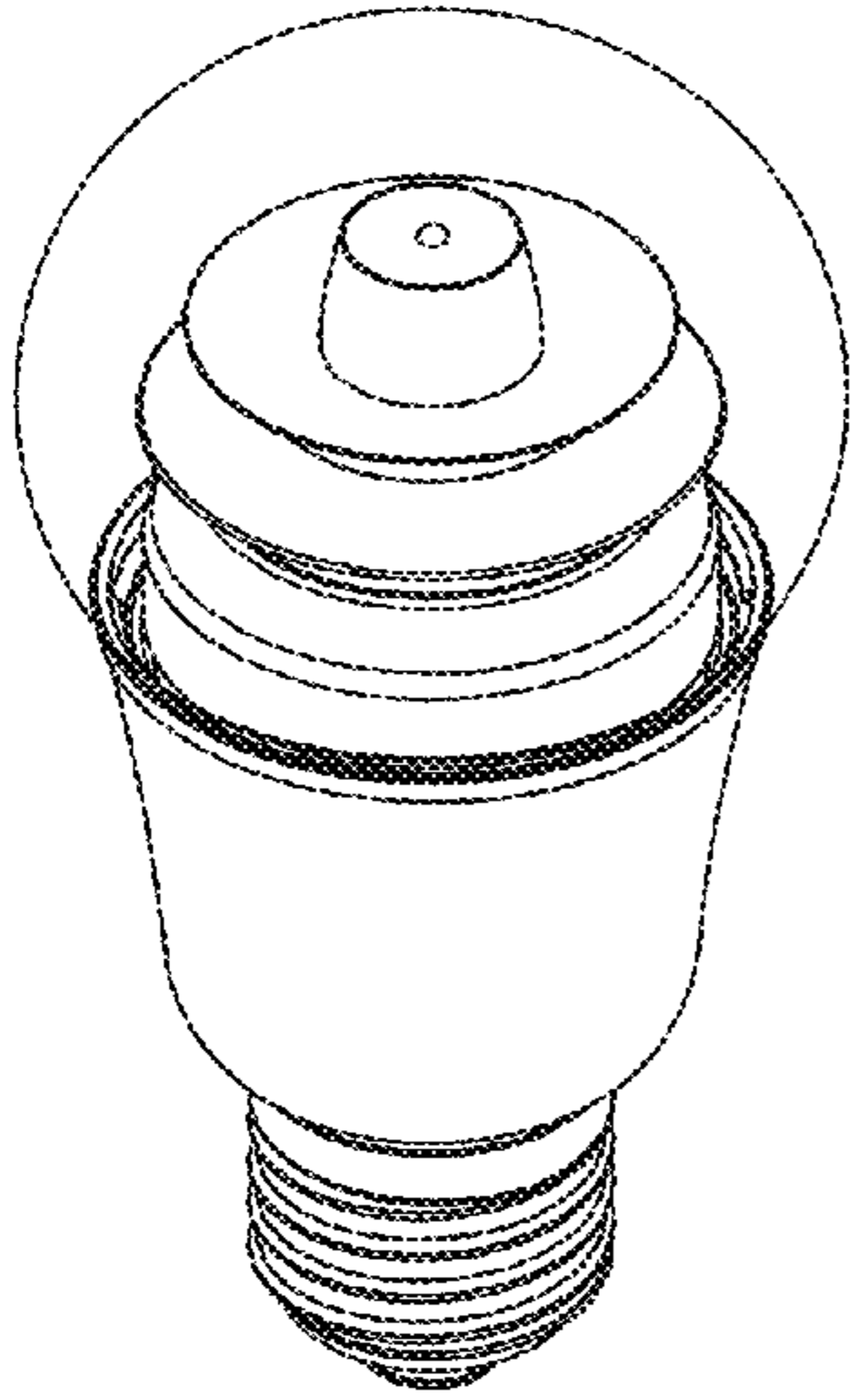


FIG. 22

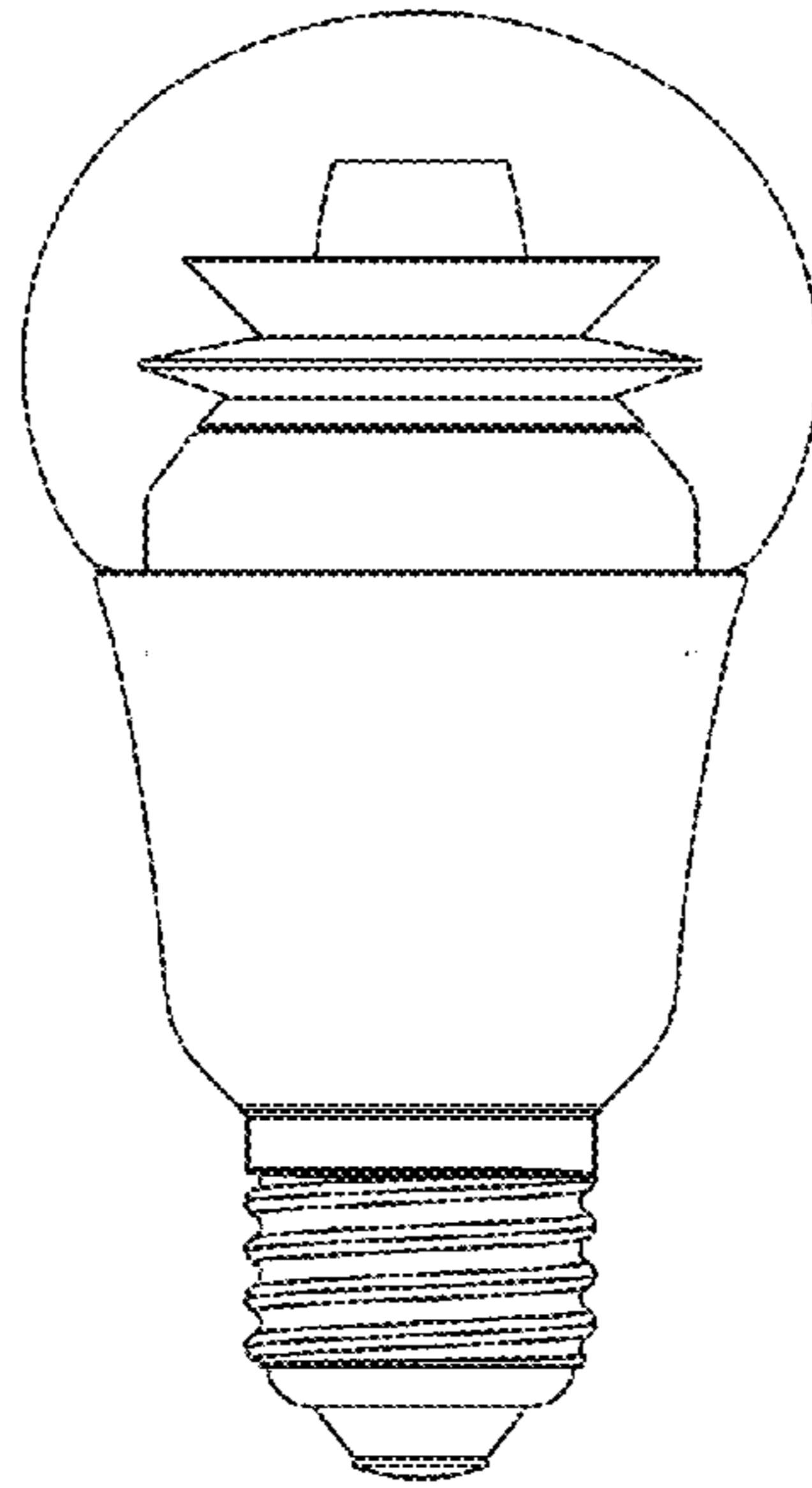


FIG. 23

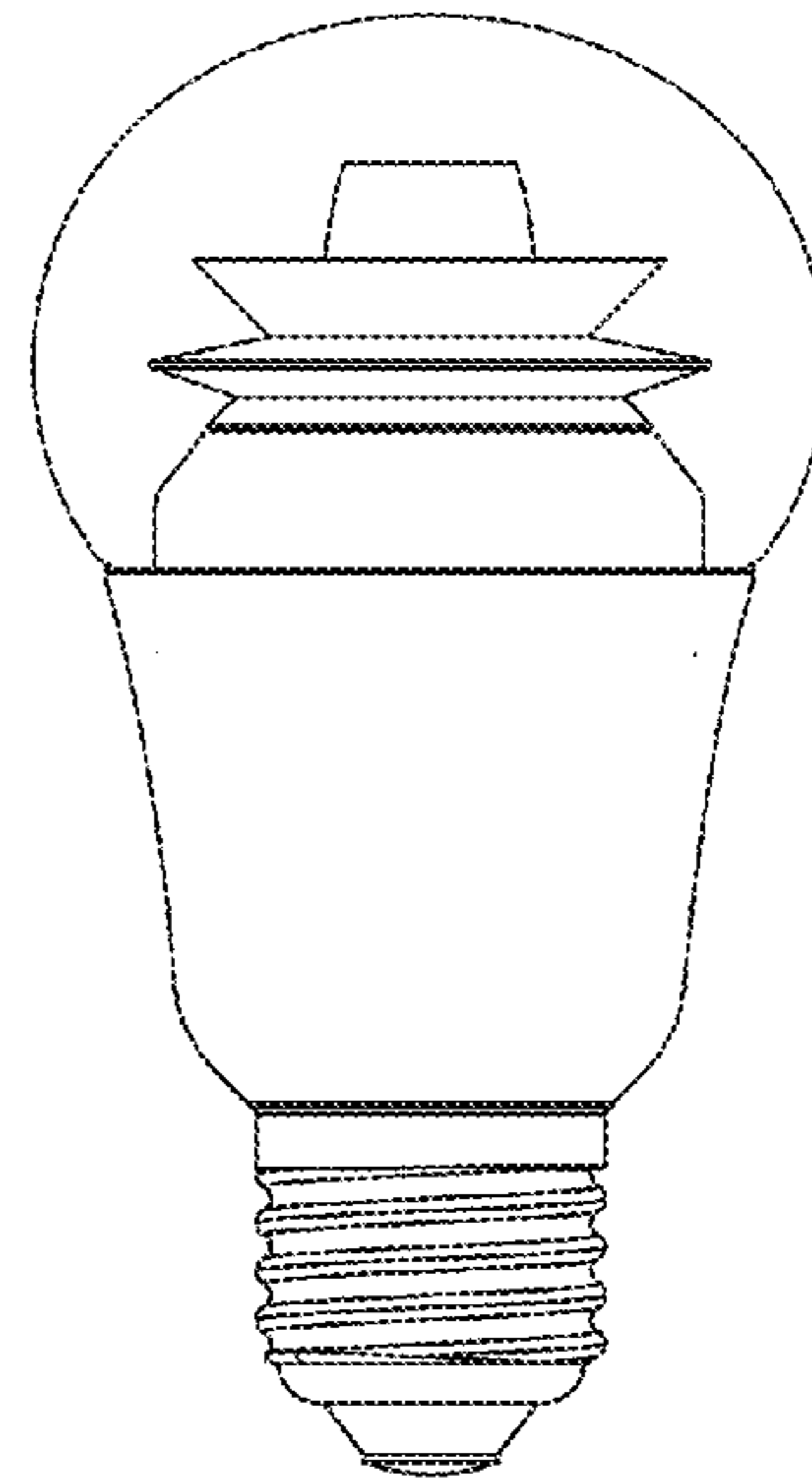


FIG. 24

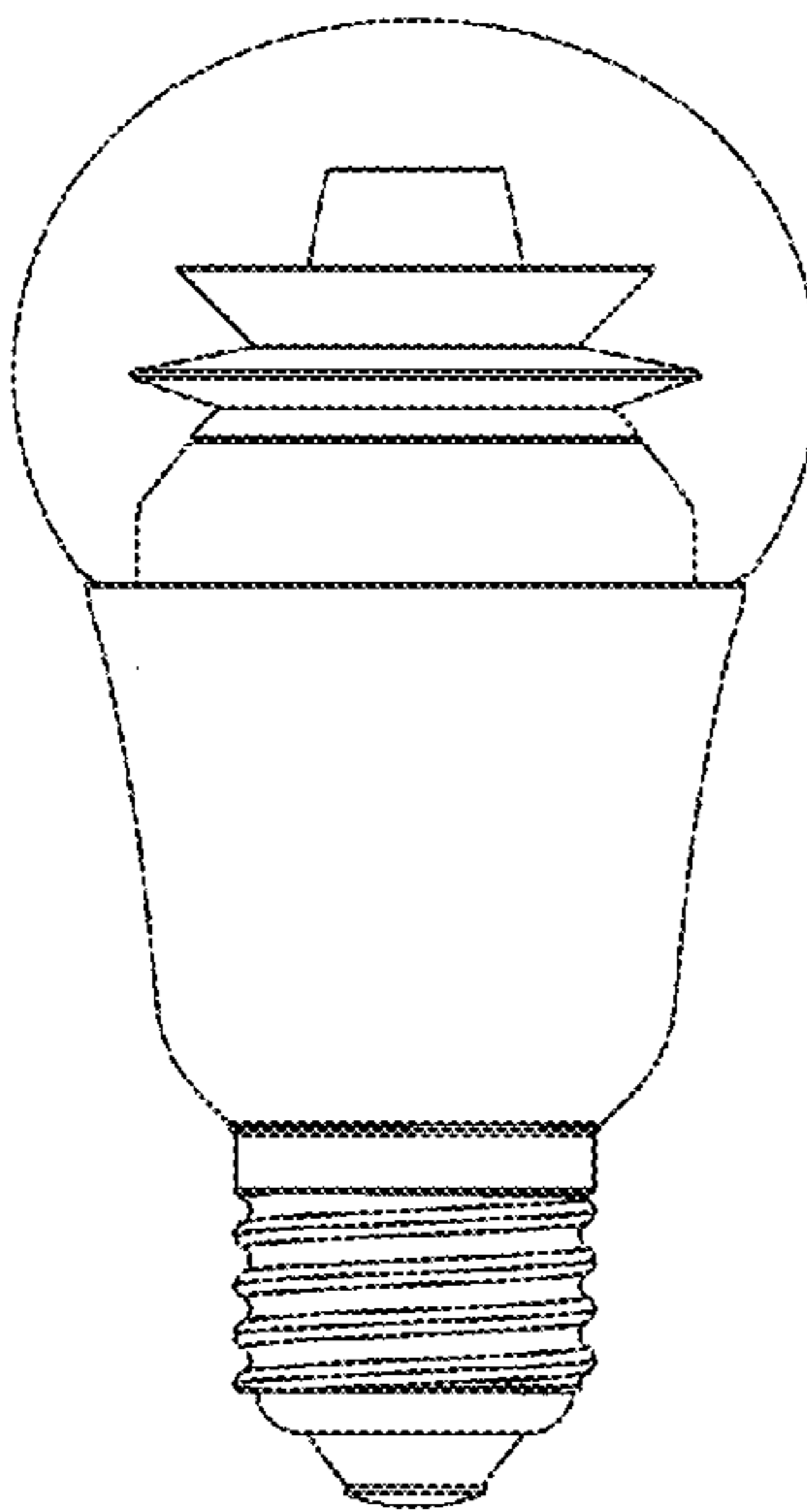


FIG. 25

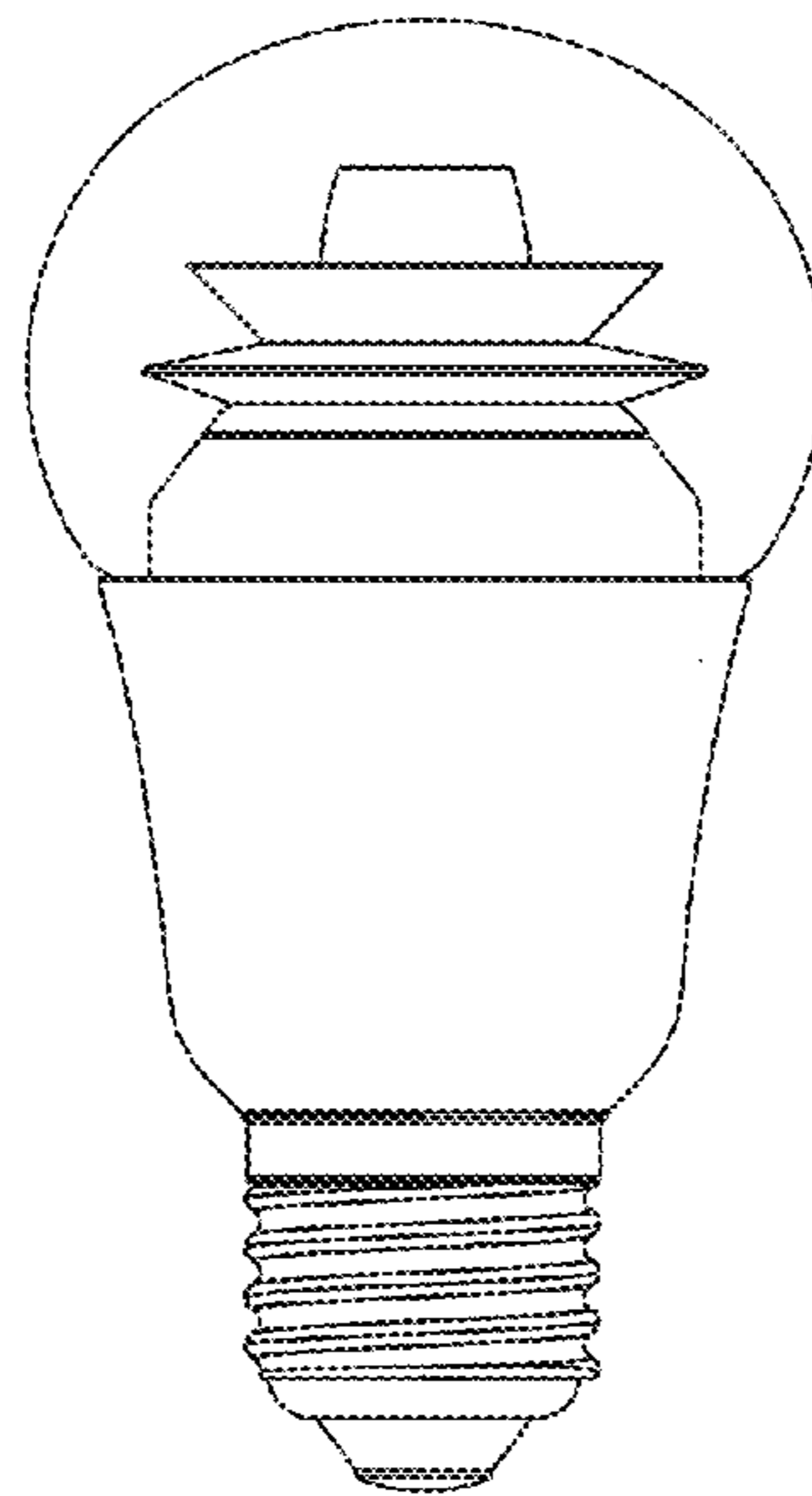


FIG. 26

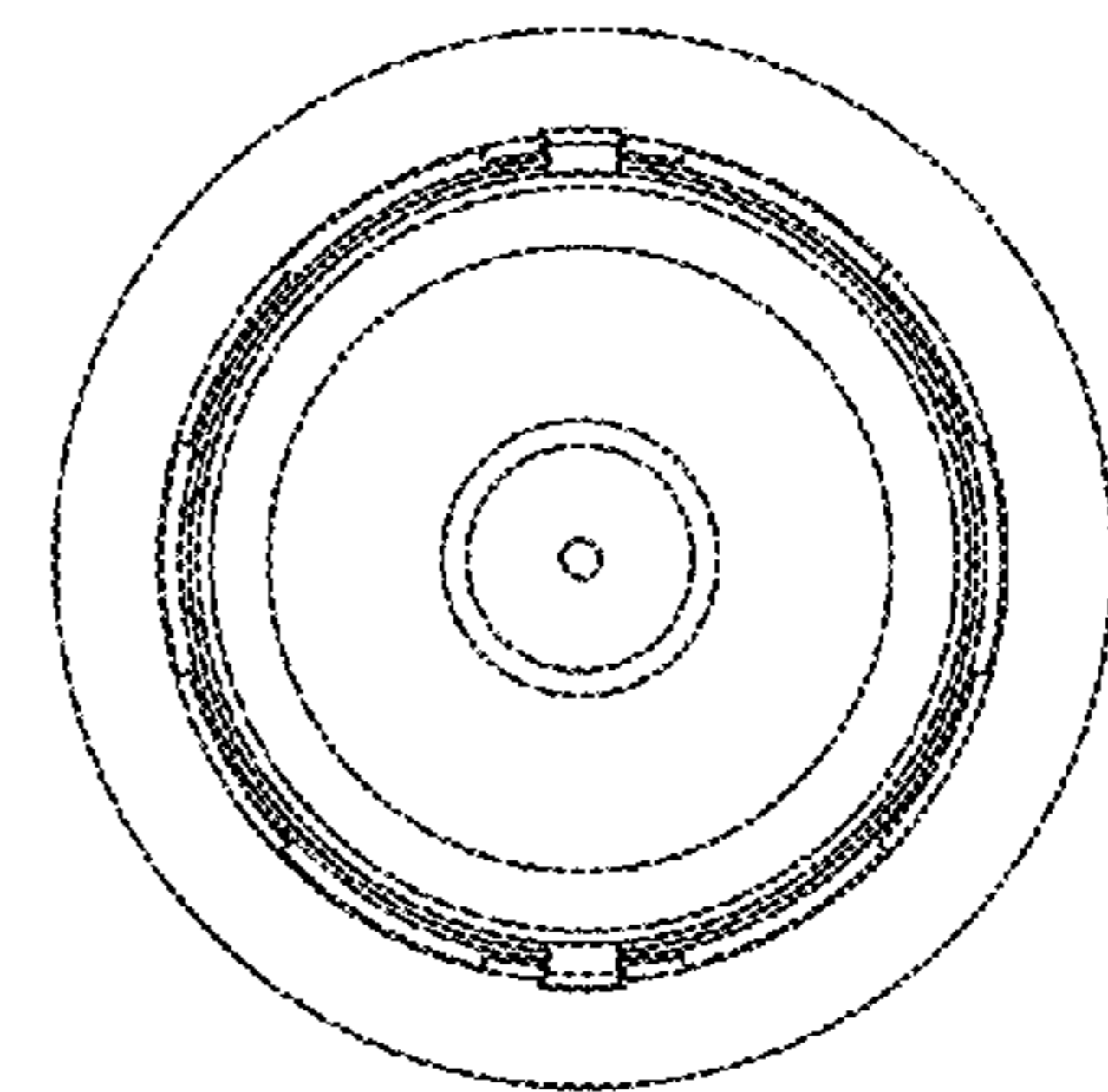


FIG. 27

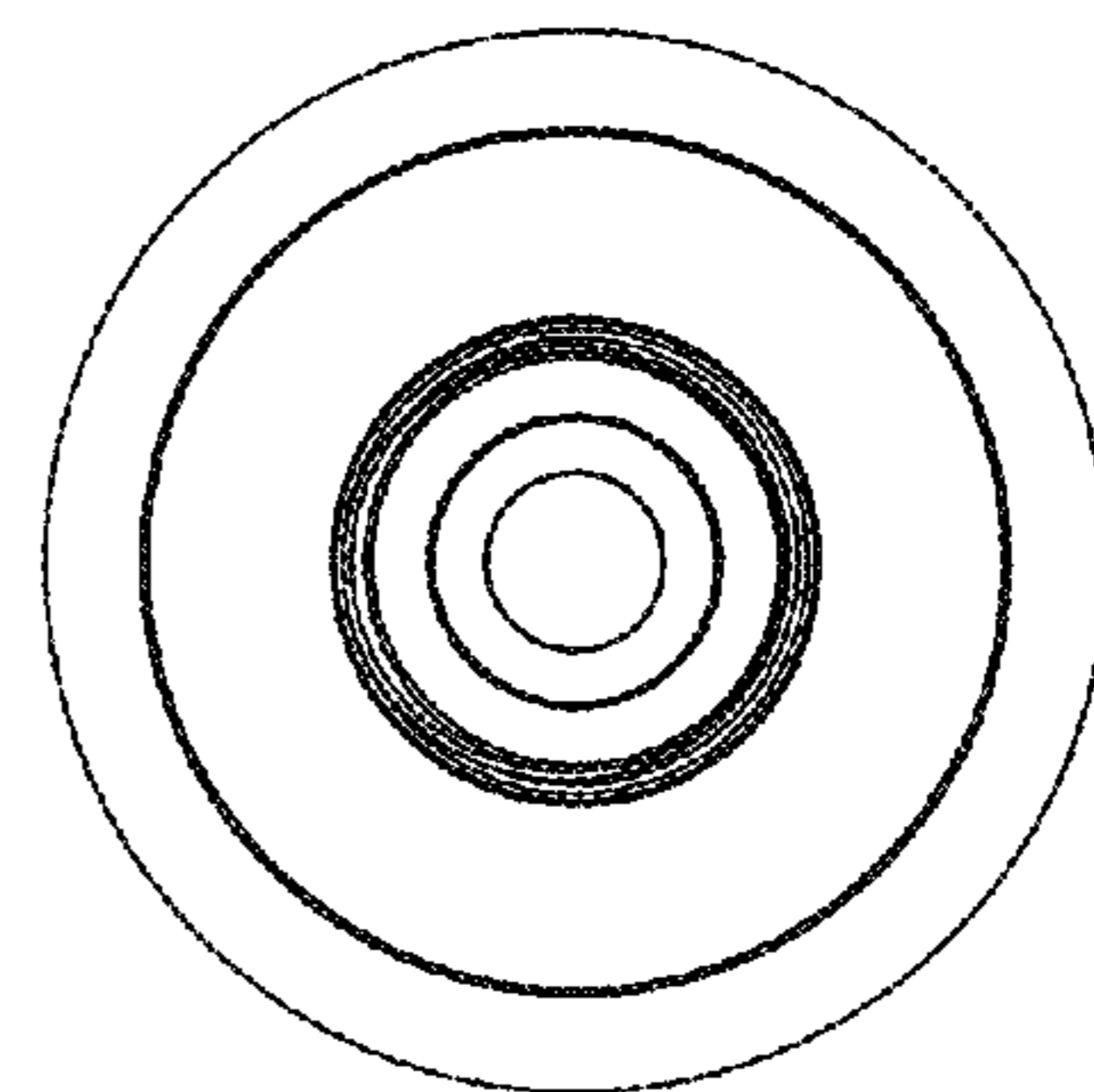


FIG. 28

UNITED STATES PATENT AND TRADEMARK OFFICE  
**CERTIFICATE OF CORRECTION**

PATENT NO. : D757,963 S  
APPLICATION NO. : 29/508035  
DATED : May 31, 2016  
INVENTOR(S) : Marianne Auernhammer et al.

Page 1 of 1

It is certified that error appears in the above-identified patent and that said Letters Patent is hereby corrected as shown below:

TITLE PAGE

<Related U.S. Application Data>

Please delete application No. "29/468,724" and insert --29/486,724-- in place thereof.

Signed and Sealed this  
Sixth Day of September, 2016



Michelle K. Lee  
*Director of the United States Patent and Trademark Office*