



US00D757962S

(12) **United States Design Patent**
Tan et al.

(10) **Patent No.:** **US D757,962 S**

(45) **Date of Patent:** **** May 31, 2016**

(54) **LED LIGHTING MODULE**

(71) Applicant: **OSRAM GmbH**, Munich (DE)

(72) Inventors: **Jie Tan**, Shenzhen Guangdong (CN);
HongWei Zhang, Shenzhen Guangdong (CN)

(73) Assignee: **OSRAM GmbH**, Munich

(**) Term: **14 Years**

(21) Appl. No.: **29/508,149**

(22) Filed: **Nov. 4, 2014**

(30) **Foreign Application Priority Data**

May 30, 2014 (EM) 002473637

(51) **LOC (10) Cl.** **26-04**

(52) **U.S. Cl.**
USPC **D26/1**

(58) **Field of Classification Search**
USPC D26/1-4; 313/313, 315, 316, 317, 318,
313/493; 315/52, 53, 56, 57, 58
CPC H01J 5/48; H01J 5/50; H01J 19/54;
F21V 5/00

See application file for complete search history.

(56) **References Cited**

U.S. PATENT DOCUMENTS

D565,750 S * 4/2008 Egawa D26/1
D594,576 S * 6/2009 Chan D26/1
D621,968 S * 8/2010 Schultz D26/1

FOREIGN PATENT DOCUMENTS

EP 2469023-0001 5/2014

* cited by examiner

Primary Examiner — Marcus Jackson

(74) *Attorney, Agent, or Firm* — Viering, Jentschura & Partner mbB

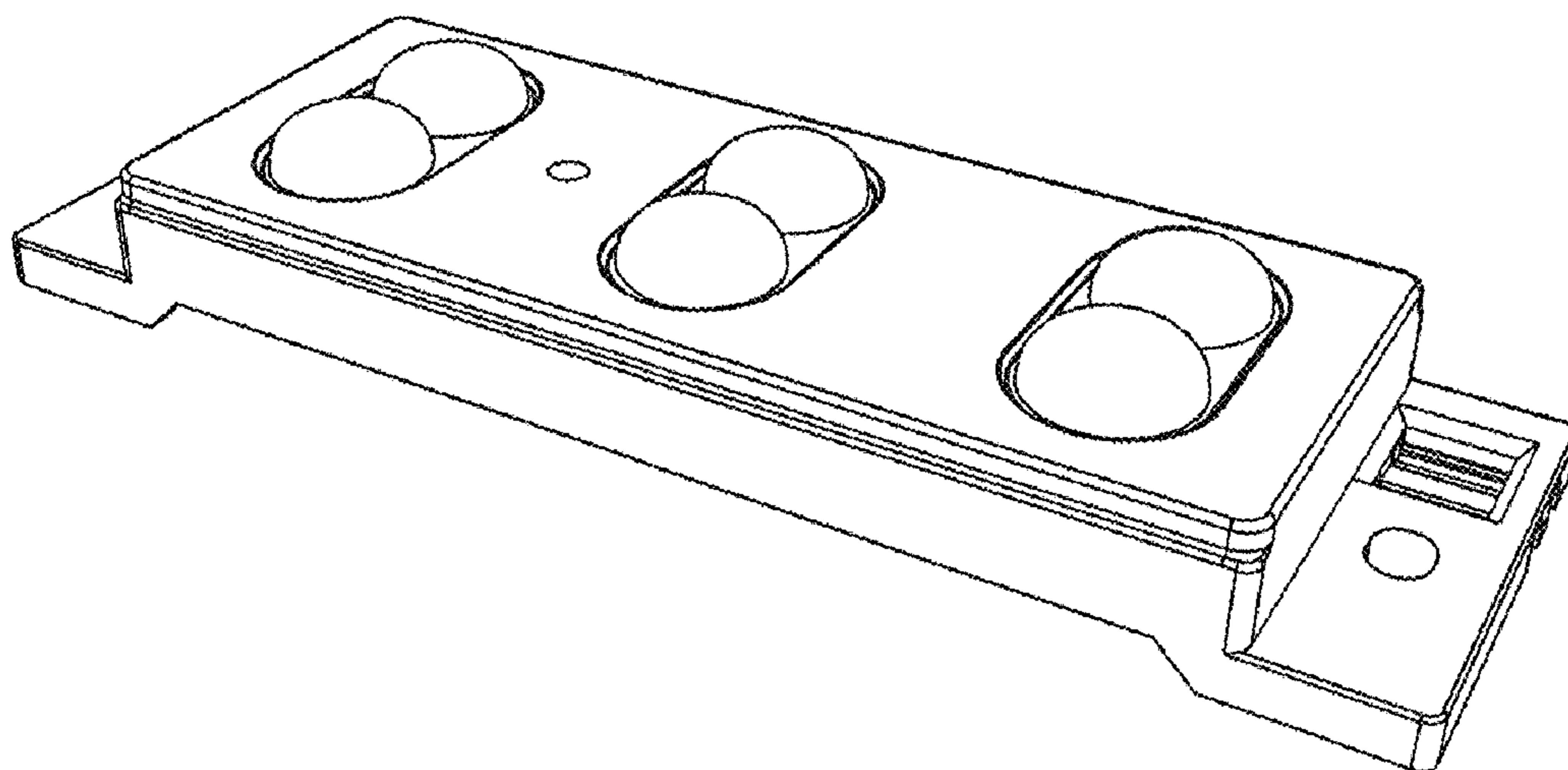
(57) **CLAIM**

The ornamental design for a LED lighting module, as shown and described.

DESCRIPTION

FIG. 1 is a perspective view of a first embodiment of a LED lighting module;
FIG. 2 is a top view of the first embodiment of the LED lighting module;
FIG. 3 is a front view of the first embodiment of the LED lighting module;
FIG. 4 is a right side view of the first embodiment of the LED lighting module;
FIG. 5 is a left side view of the first embodiment of the LED lighting module;
FIG. 6 is a back view of the first embodiment of the LED lighting module; and,
FIG. 7 is a bottom view of the first embodiment of the LED lighting module.

1 Claim, 7 Drawing Sheets



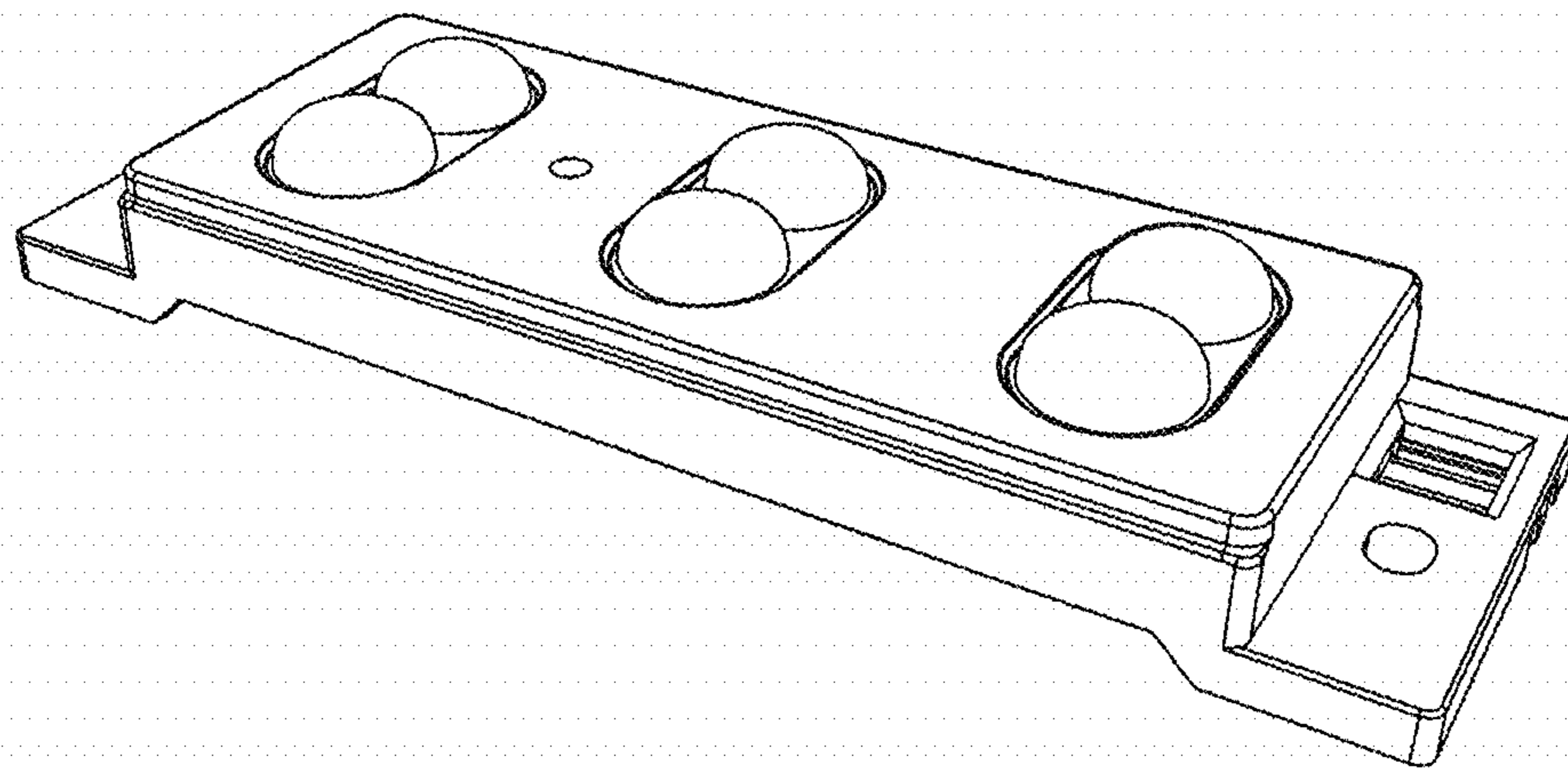


FIG. 1

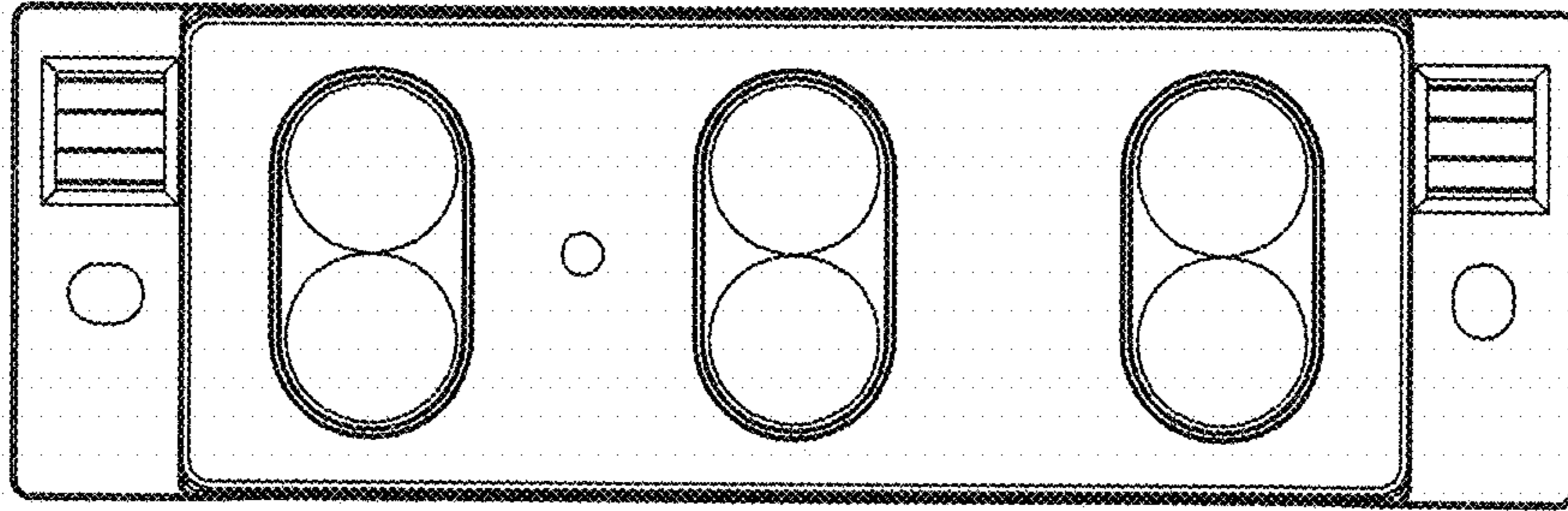


FIG. 2

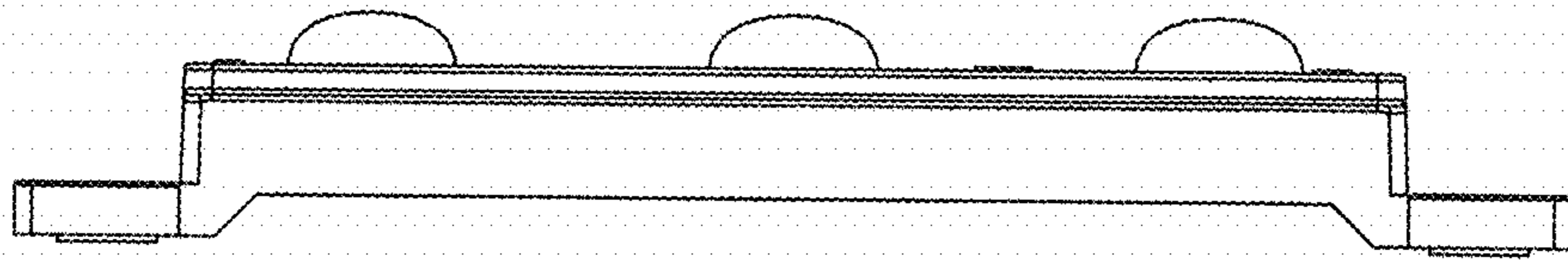


FIG. 3

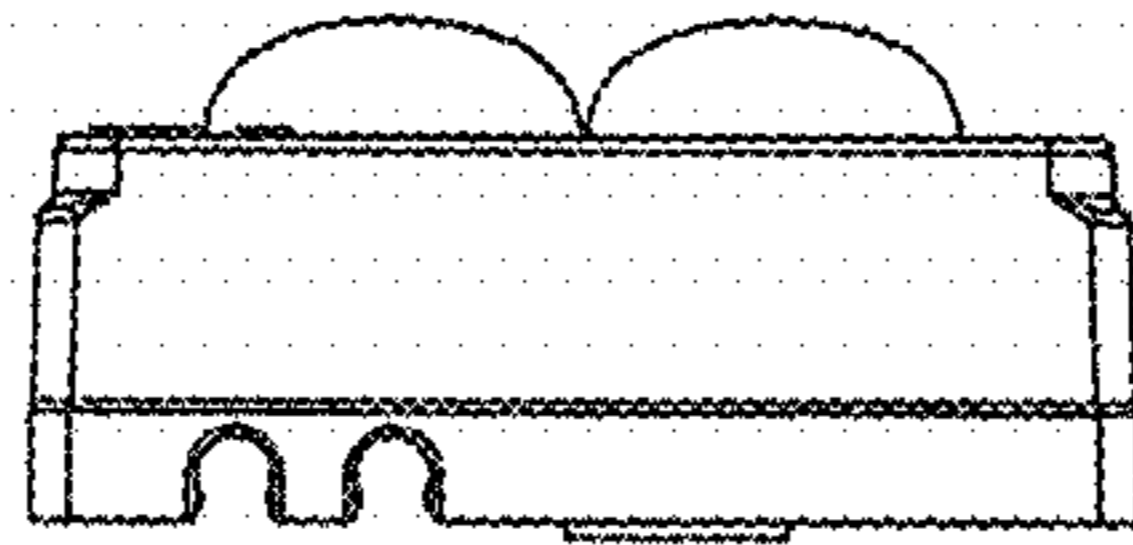


FIG. 4

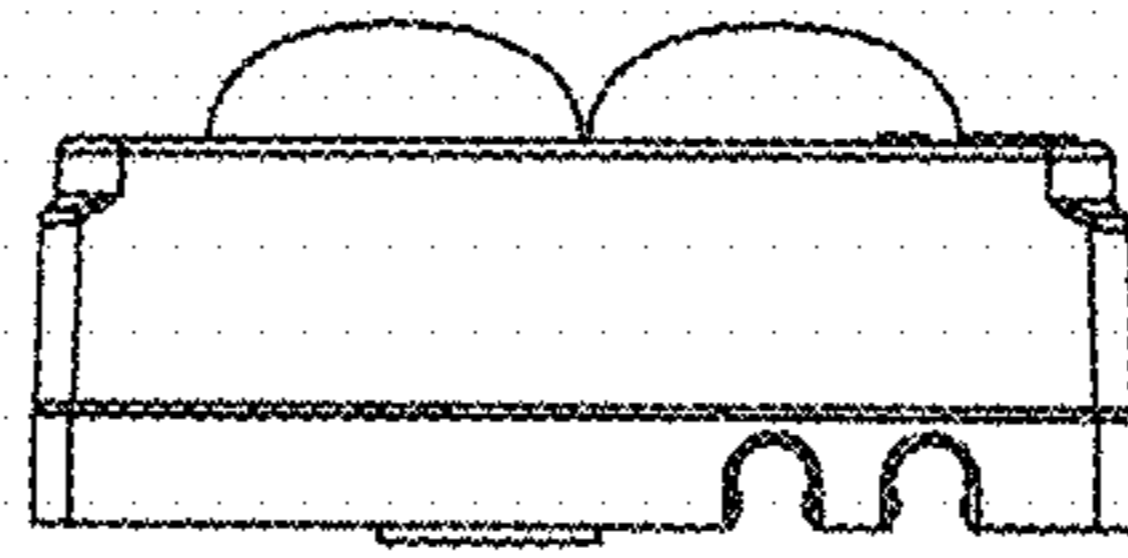


FIG. 5

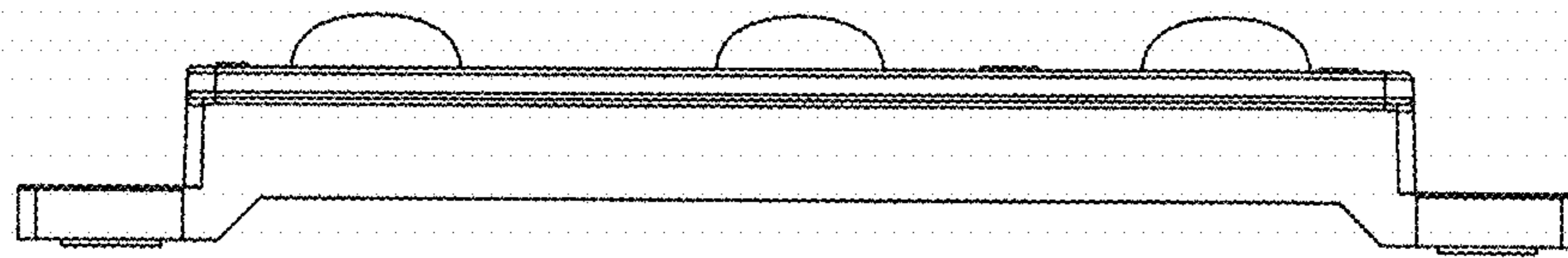


FIG. 6

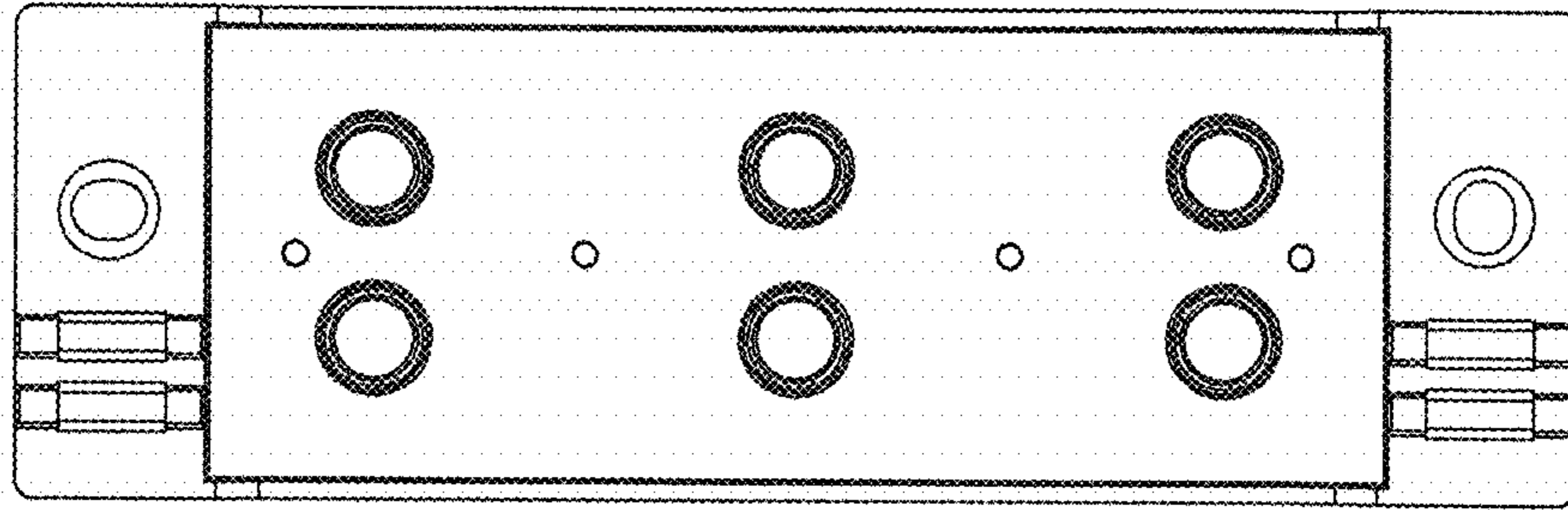


FIG. 7