



US00D757959S

(12) **United States Design Patent**
Aoi et al.

(10) **Patent No.:** **US D757,959 S**
(45) **Date of Patent:** **** May 31, 2016**

(54) **STEPLADDER**
(71) Applicants: **Tokuo Aoi**, Kakamigahara (JP); **Tazuko Aoi**, Kakamigahara (JP)
(72) Inventors: **Tokuo Aoi**, Kakamigahara (JP); **Tazuko Aoi**, Kakamigahara (JP)

2,612,335 A * 9/1952 Saltzman F16M 11/36
135/79
2,650,014 A 8/1953 Harrison
2,756,952 A 7/1956 Gazley
2,794,612 A 6/1957 Clifton
2,919,093 A 12/1959 Mooney
(Continued)

(**) Term: **14 Years**

FOREIGN PATENT DOCUMENTS

(21) Appl. No.: **29/525,302**

EP 1079062 A2 2/2001
FR 881547 A 4/1943

(22) Filed: **Apr. 28, 2015**

(Continued)

(51) **LOC (10) Cl.** **25-04**

(52) **U.S. Cl.**
USPC **D25/68**

OTHER PUBLICATIONS

(58) **Field of Classification Search**
USPC D25/62-69; 182/180.1, 21, 209, 104,
182/166, 170, 173, 96, 176, 124, 174, 172,
182/111, 179, 181, 187, 115-116, 151;
248/165, 188.7, 558, 615, 354.1;
135/79; 126/30

International Search Report and Written Opinion dated Mar. 11, 2014
of International Application No. PCT/JP2014/051998.

CPC E06C 7/14; E06C 1/393; E06C 1/387;
E06C 1/39; E06C 1/18; E06C 7/44; E06C
1/22; E06C 7/423; E06C 1/20; E06C 1/382;
E06C 7/083; E06C 7/08; E06C 7/081; E06C
1/38; E06C 1/00; E06C 1/28; E06C 1/32;
E06C 1/383

Primary Examiner — Cynthia Ramirez
Assistant Examiner — Gino Colan
(74) *Attorney, Agent, or Firm* — Maschoff Brennan

See application file for complete search history.

(57) **CLAIM**
The ornamental design for a stepladder, as shown and
described.

(56) **References Cited**

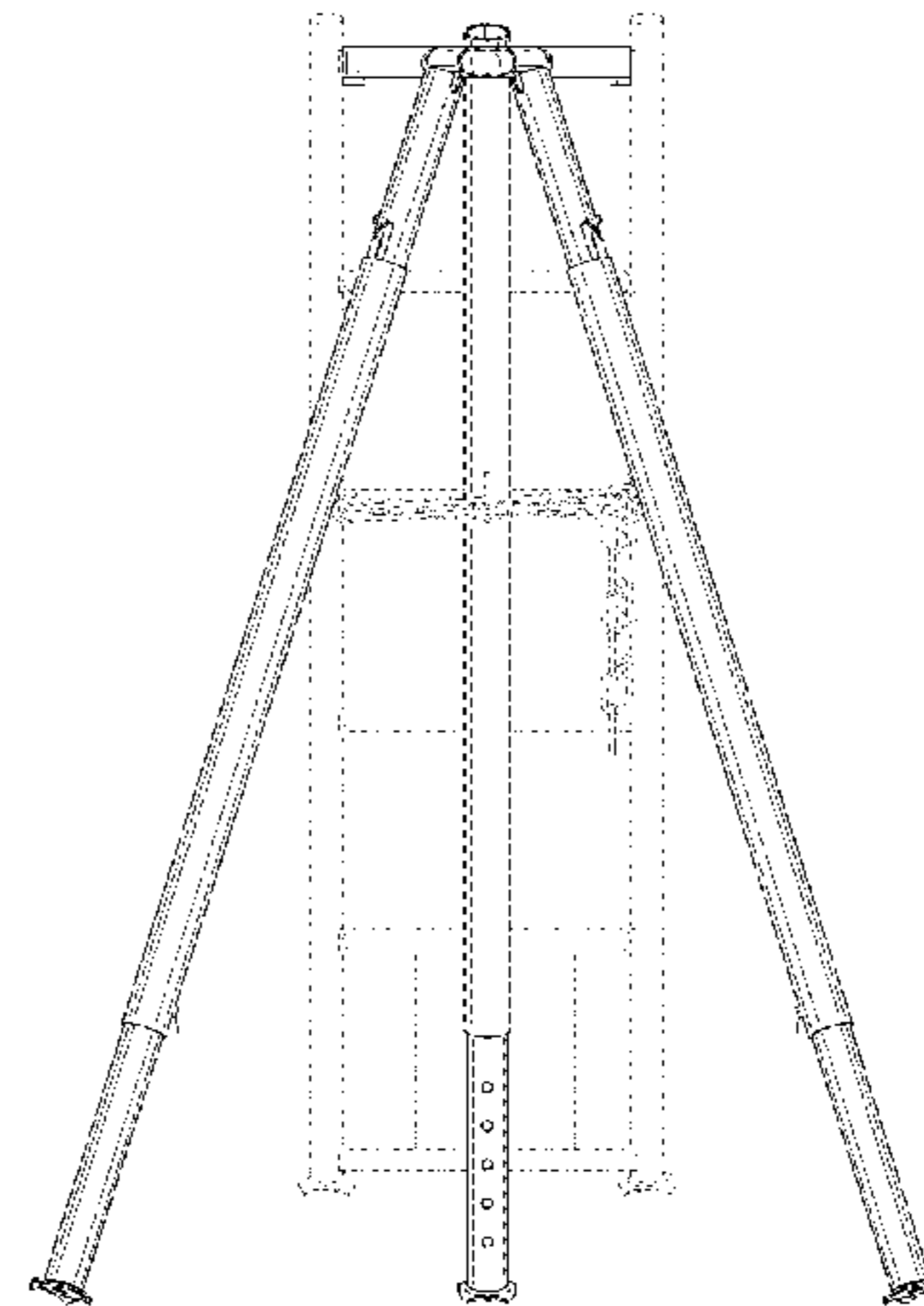
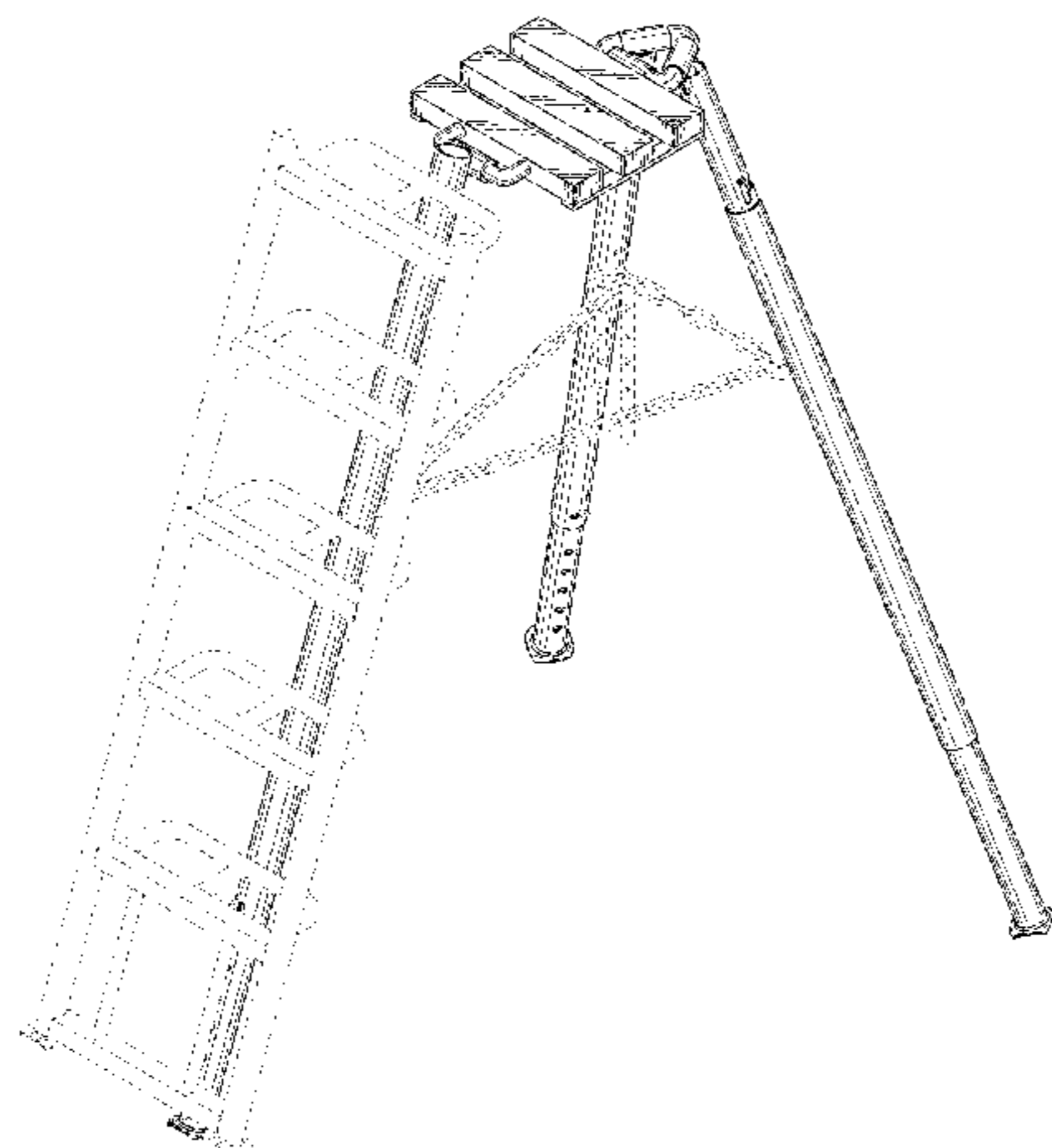
DESCRIPTION

U.S. PATENT DOCUMENTS

128,073 A 6/1872 Roseborough, Jr.
767,257 A 8/1904 Banks
1,610,596 A 12/1926 Bird
1,641,906 A 9/1927 Smith
1,778,898 A * 10/1930 Konigsberg E06C 1/20
182/124
1,783,616 A * 12/1930 Hachmuth E06C 1/20
182/170
1,789,317 A 1/1931 McLeish
2,316,679 A 4/1943 Evans
2,391,466 A 12/1945 Levin
2,478,592 A 8/1949 Nyberg

FIG. 1 is a front perspective view of a stepladder showing our
new design;
FIG. 2 is a front view thereof;
FIG. 3 is a rear view thereof;
FIG. 4 is a top plan view thereof;
FIG. 5 is a bottom plan view thereof;
FIG. 6 is a right side view thereof;
FIG. 7 is a left side view thereof;
FIG. 8 is an exploded perspective view thereof;
FIG. 9 is a rear view thereof in a collapsed position; and,
FIG. 10 is a front view thereof, in which one of the legs is
folded.
The features shown in broken lines in the drawings depict
environmental subject matter only and form no part of the
claimed design.

1 Claim, 10 Drawing Sheets



(56)

References Cited

U.S. PATENT DOCUMENTS

3,026,962 A 3/1962 Kramer
 3,248,129 A 4/1966 Brown
 3,269,486 A 8/1966 Machen
 3,313,505 A 4/1967 Petrie
 3,472,339 A 10/1969 Herrera
 3,540,549 A 11/1970 Emmons
 3,967,694 A 7/1976 Woolfolk, Sr.
 4,146,010 A * 3/1979 Manska A47J 37/0763
 126/30
 4,326,687 A 4/1982 Clyburn
 4,524,849 A 6/1985 Riddle
 4,726,349 A 2/1988 Gehrke
 4,732,138 A 3/1988 Vos
 4,899,849 A * 2/1990 Levi E06C 1/22
 182/111
 5,186,197 A 2/1993 Lavine
 5,485,978 A * 1/1996 Hernandez A01M 31/02
 182/151
 5,520,360 A 5/1996 Wensman
 5,685,391 A 11/1997 Gundlach
 6,053,282 A 4/2000 Morisak
 6,189,529 B1 2/2001 Shabazian et al.
 D452,331 S * 12/2001 Bohlman D25/62
 6,386,320 B1 5/2002 Clavel
 6,668,975 B2 12/2003 Skipper
 6,711,993 B2 3/2004 Robertson
 7,063,006 B1 6/2006 Spehle et al.

7,207,533 B1 4/2007 Coleman et al.
 7,513,470 B2 4/2009 Lomberk
 7,581,703 B1 9/2009 Coleman et al.
 7,984,789 B2 7/2011 Michalec
 8,695,762 B1 4/2014 Carter et al.
 9,033,105 B1 5/2015 Boswell
 9,151,112 B2 10/2015 Niemela
 2007/0036640 A1 2/2007 Boudreaux
 2007/0256892 A1 11/2007 Breedlove, Sr.
 2008/0223658 A1 * 9/2008 Michalec A01M 31/02
 182/116
 2011/0088969 A1 4/2011 Payne et al.
 2011/0155886 A1 6/2011 Nakaniwa
 2012/0168253 A1 * 7/2012 McMurray E06C 7/423
 182/172
 2013/0153297 A1 6/2013 Abney et al.
 2015/0107146 A1 4/2015 Chaney
 2015/0345219 A1 * 12/2015 Aoi E06C 1/18
 182/176

FOREIGN PATENT DOCUMENTS

JP 62-52700 U 4/1987
 JP 7-32198 U 6/1995
 JP 3031542 U 9/1996
 JP 09-112165 A 4/1997
 JP 3111306 U 6/2005
 JP 2005-282319 A 10/2005

* cited by examiner

FIG. 1

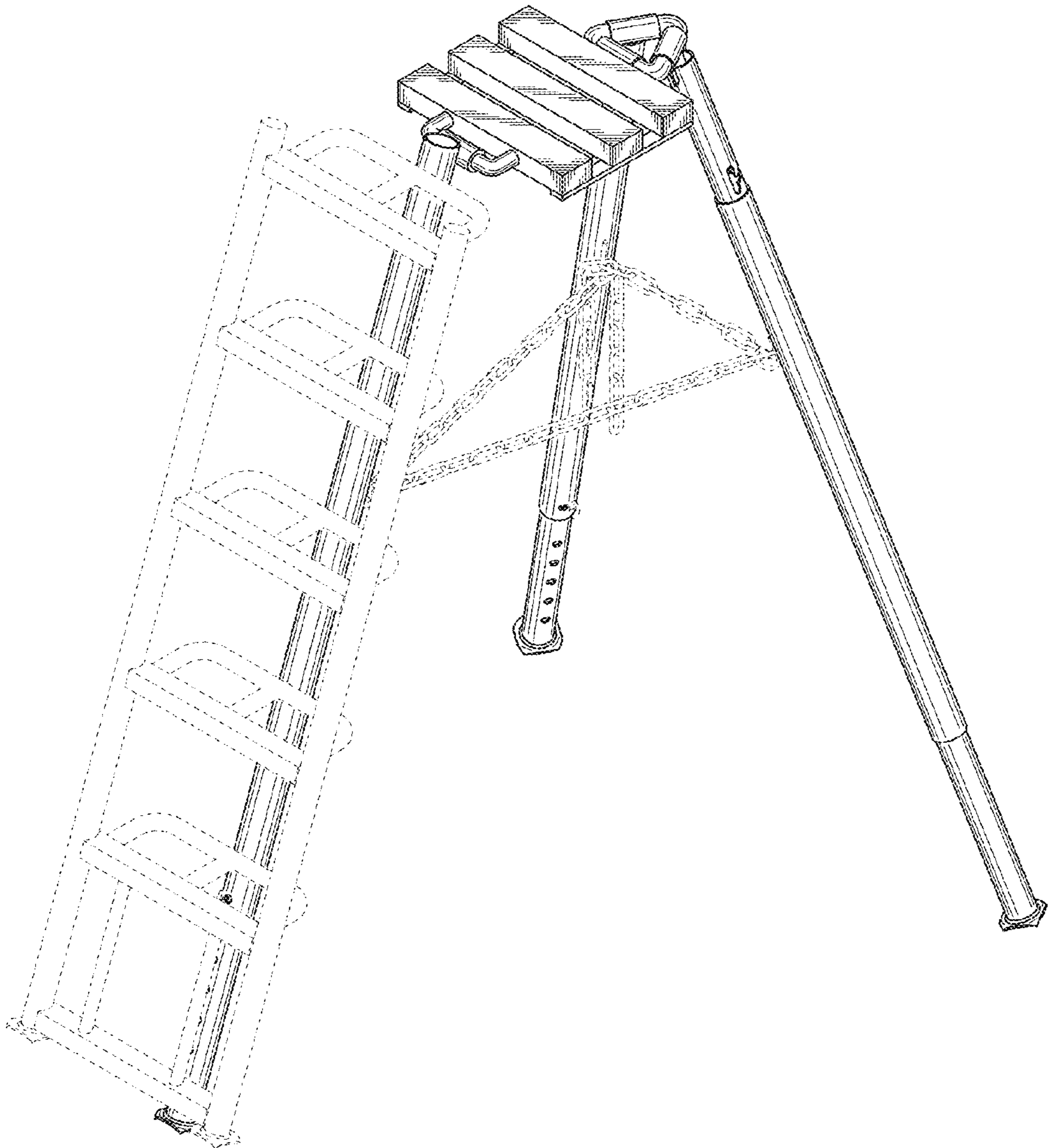


FIG. 2

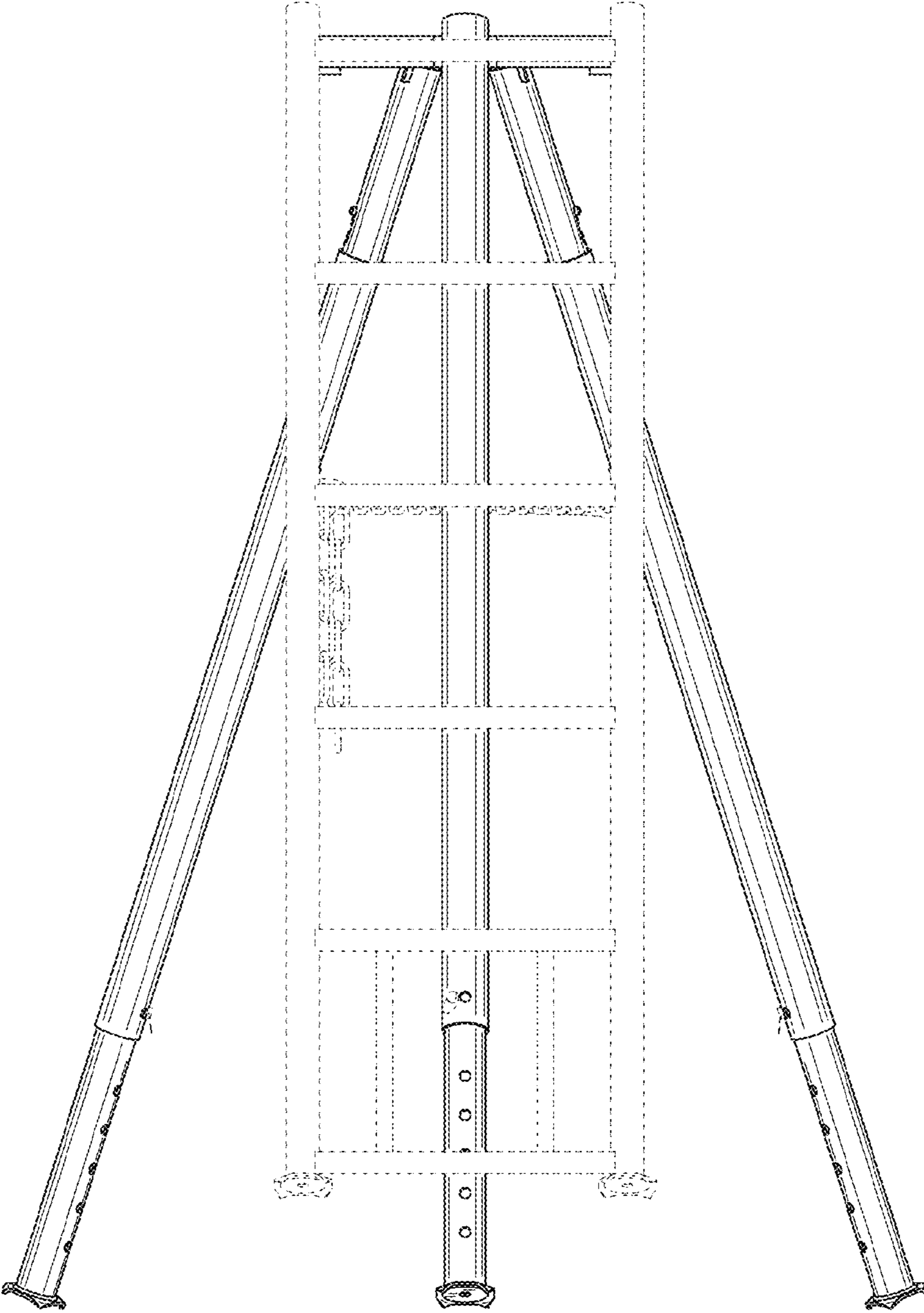


FIG. 3

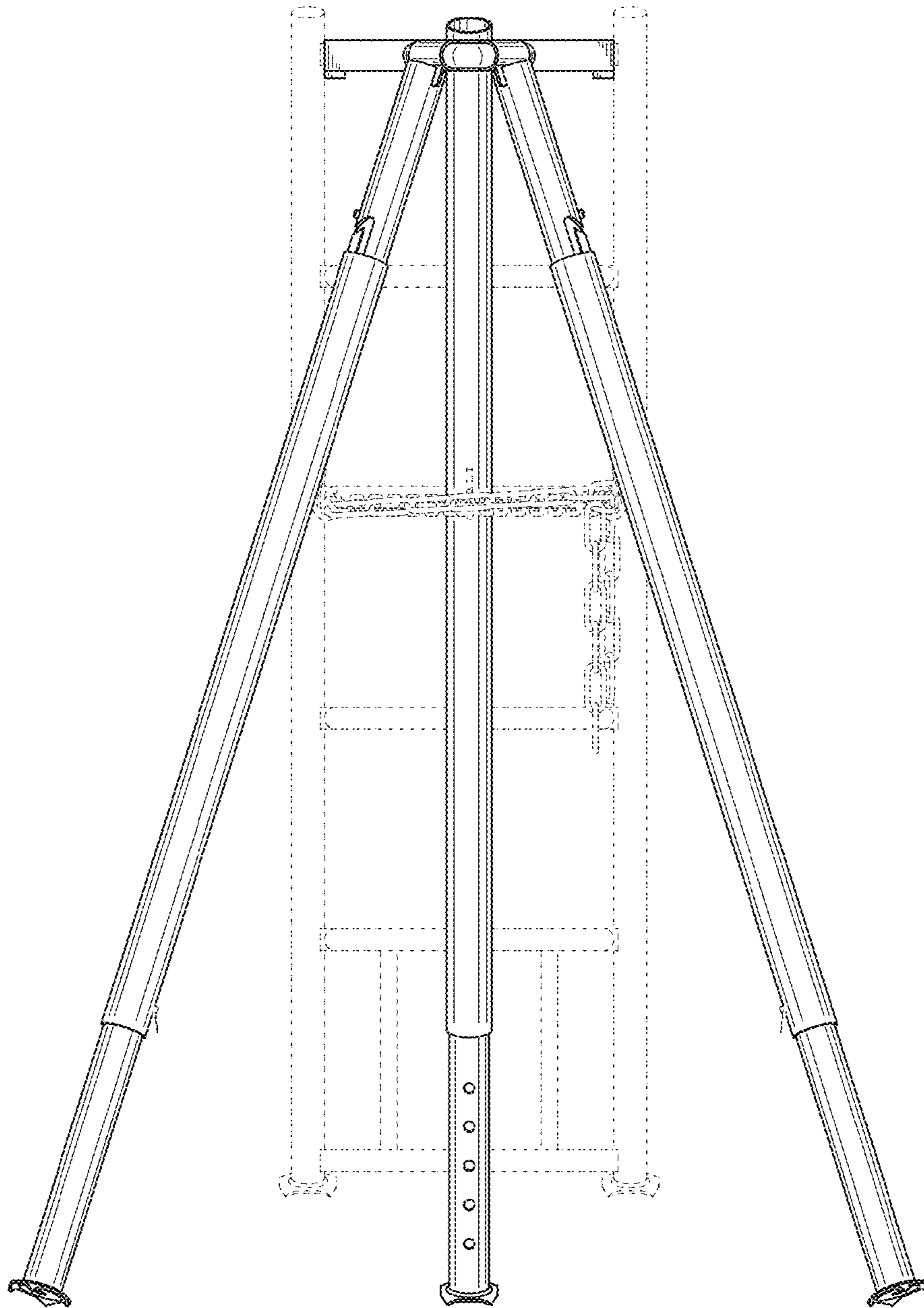


FIG. 4

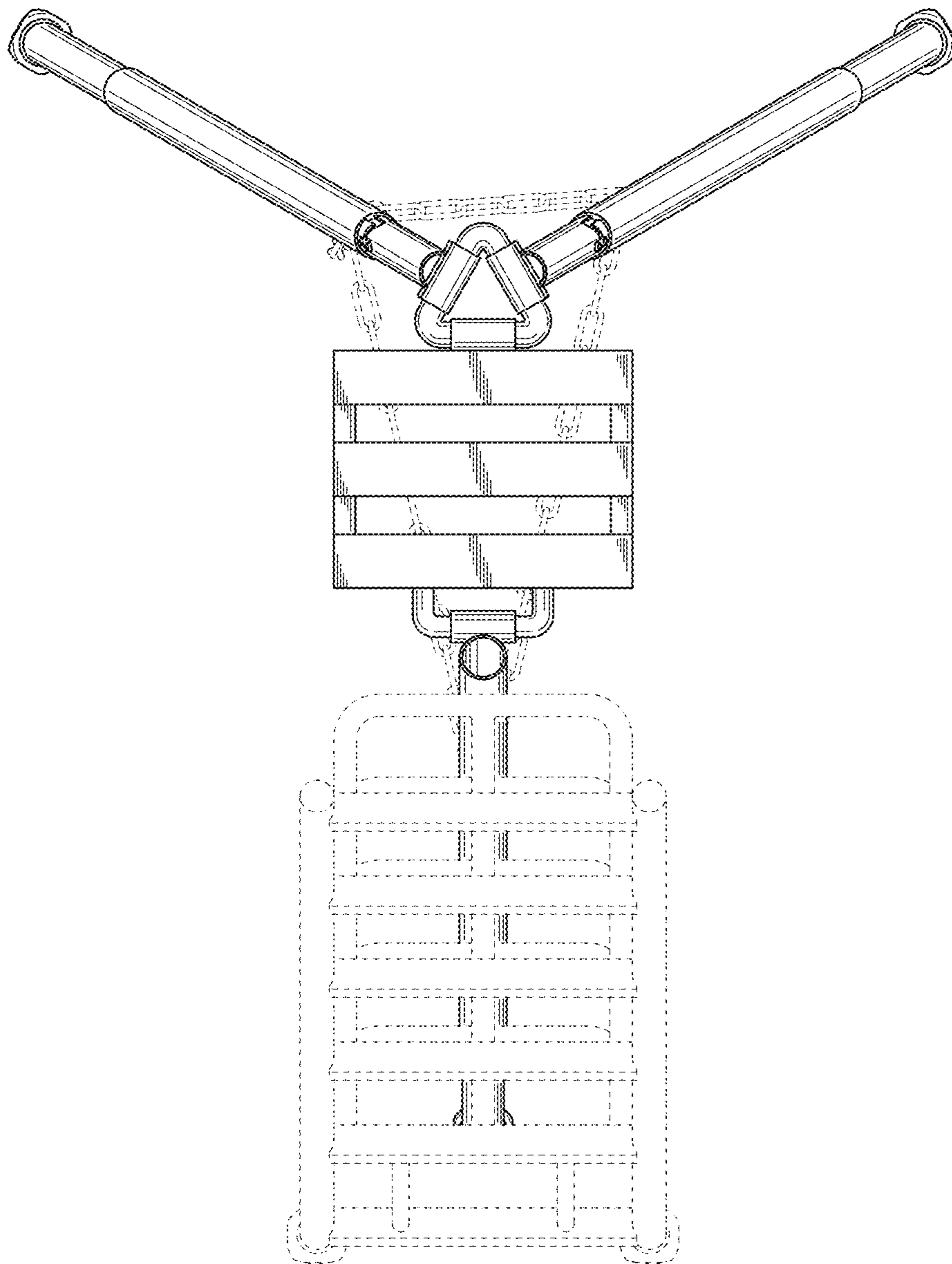


FIG. 5

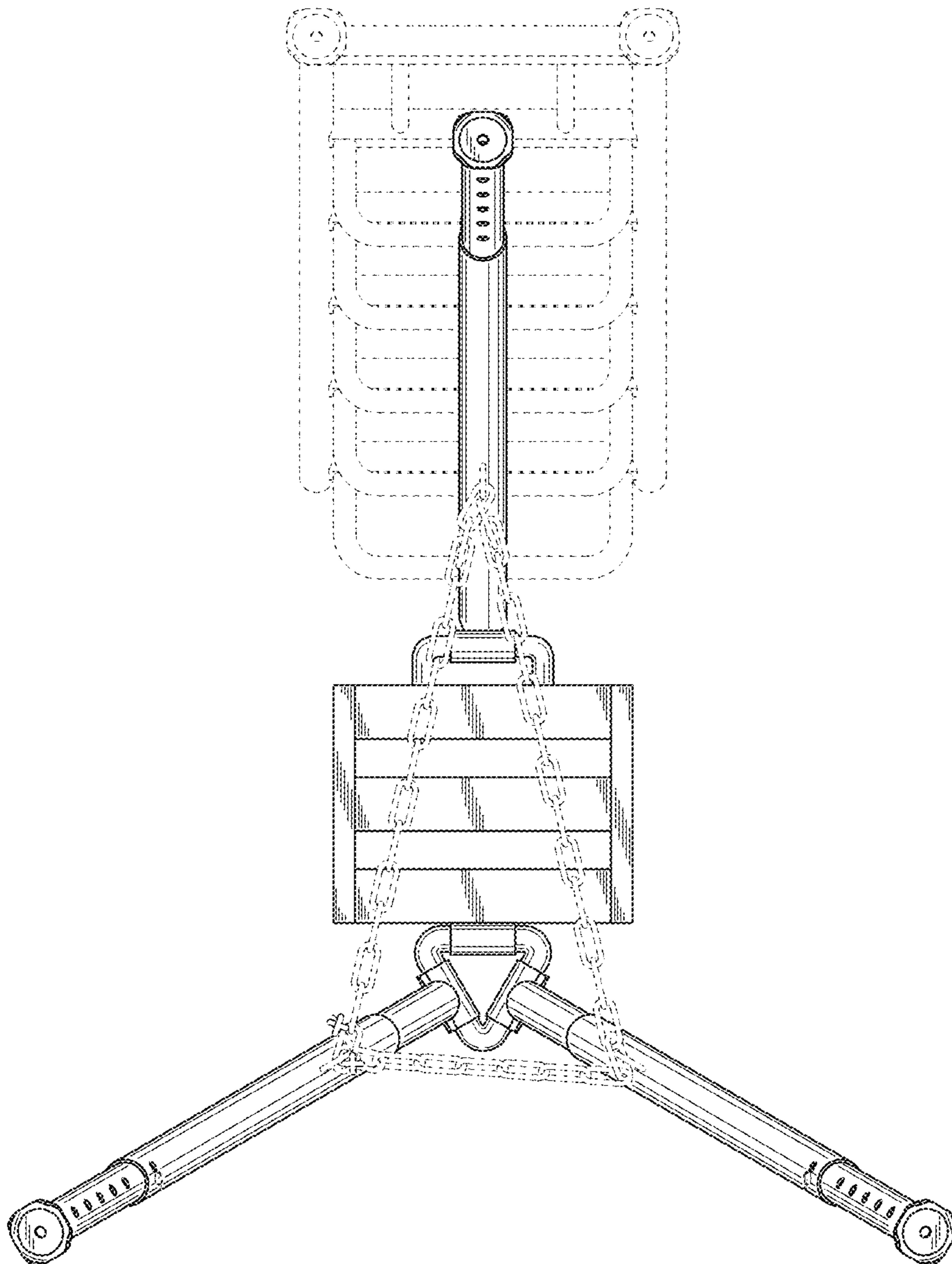


FIG. 6

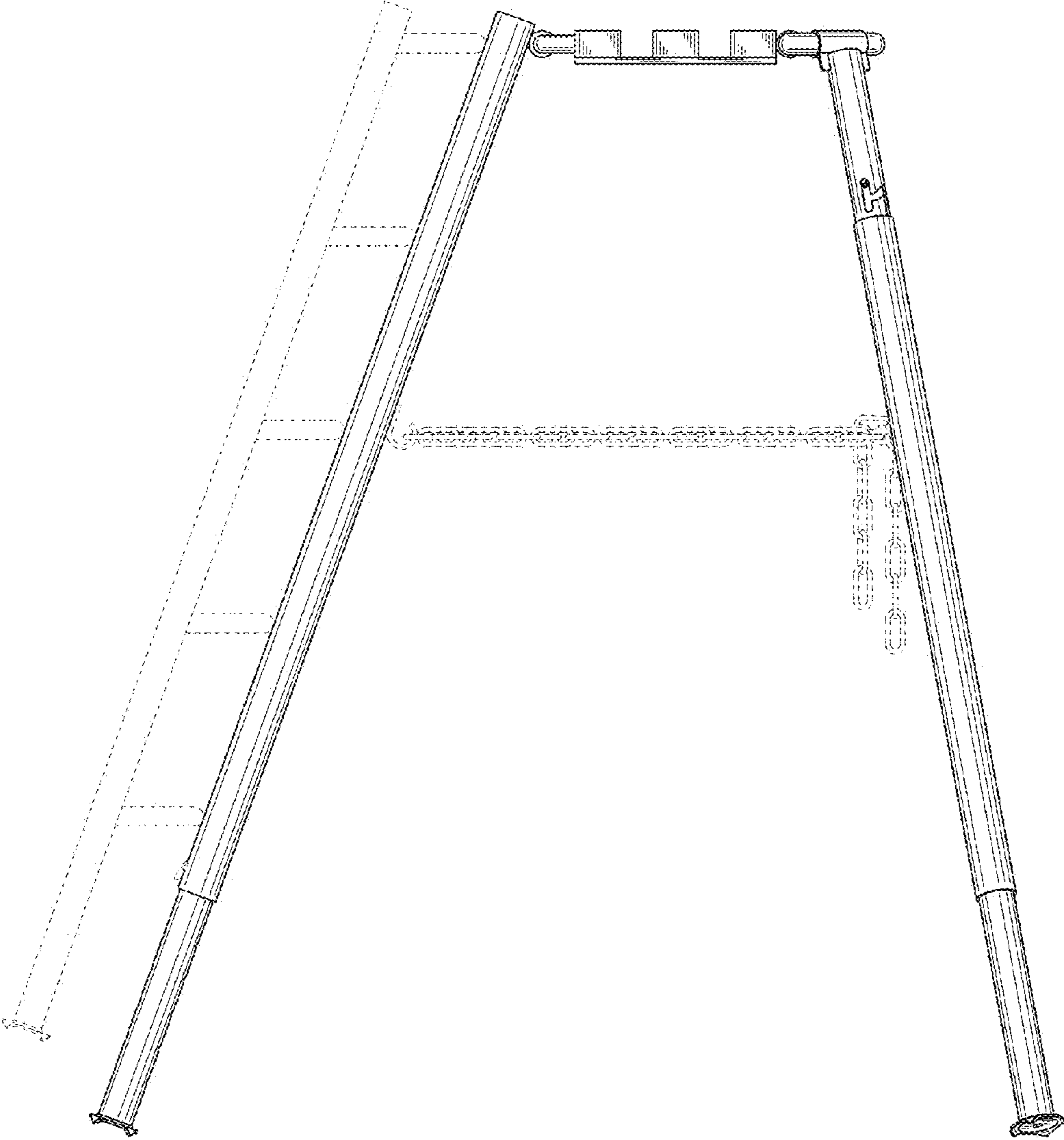


FIG. 7

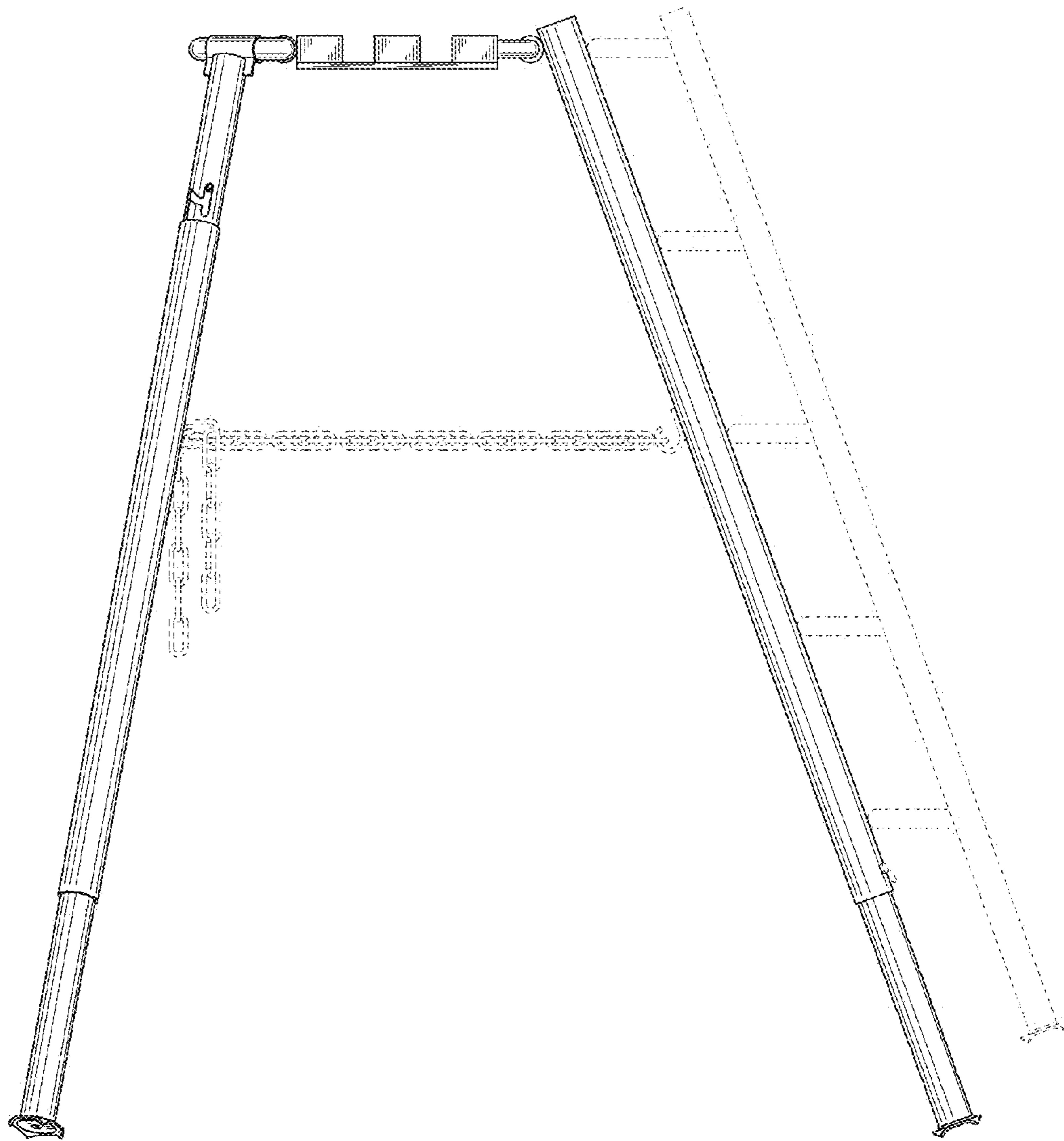


FIG. 8

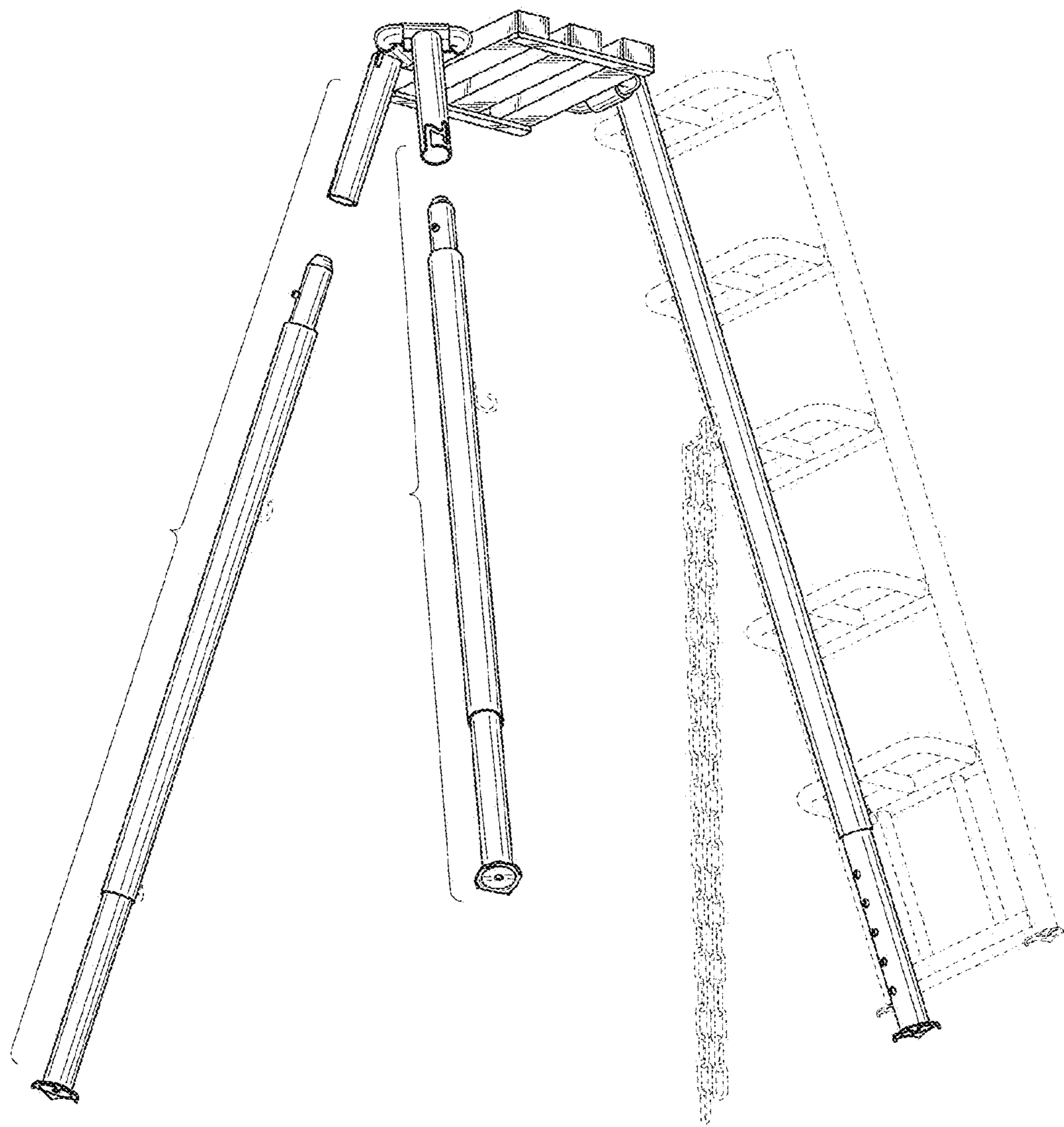


FIG. 9

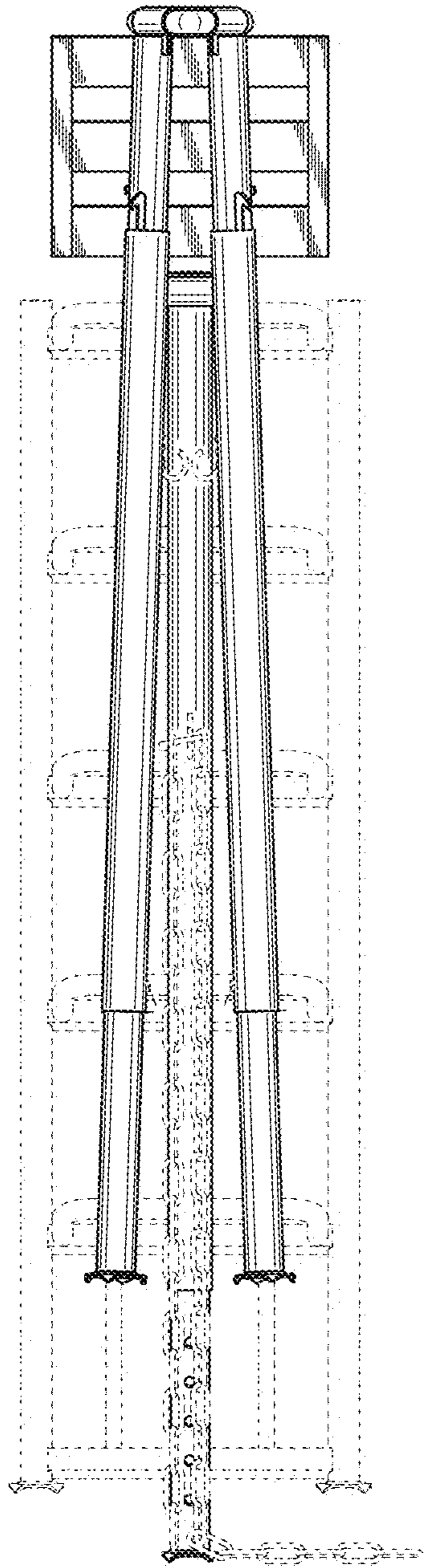


FIG. 10

