



US00D757958S

(12) **United States Design Patent**
Murray et al.

(10) **Patent No.:** **US D757,958 S**
(45) **Date of Patent:** **** May 31, 2016**

(54) **ELECTROPHORESIS APPARATUS**

D303,007 S * 8/1989 Flesher D24/233
D505,729 S * 5/2005 Lee D24/233
D698,037 S * 1/2014 Nelson D24/233
2011/0114487 A1 * 5/2011 Schmidt G01N 27/44773
204/606

(71) Applicant: **Edvotek Inc.**, Washington, DC (US)

(72) Inventors: **Thomas William Murray**, Philadelphia, PA (US); **John Depler Coleman**, Philadelphia, PA (US); **Christopher John Murray**, Philadelphia, PA (US)

(73) Assignee: **Edvotek Inc.**, Washington, DC (US)

(**) Term: **14 Years**

(21) Appl. No.: **29/510,832**

(22) Filed: **Dec. 3, 2014**

(51) **LOC (10) Cl.** **24-01**

(52) **U.S. Cl.**
USPC **D24/233**

(58) **Field of Classification Search**
USPC D24/233, 216; D10/81; 204/606,
204/616-621, 466-467
CPC G01N 27/447; G01N 27/44704; G01N
27/44756; G01N 27/44773; G01N 27/44769;
G01N 27/44786
See application file for complete search history.

(56) **References Cited**

U.S. PATENT DOCUMENTS

4,715,942 A * 12/1987 Tezuka G01N 27/44756
204/618
4,773,984 A * 9/1988 Flesher G01N 27/44756
204/618

OTHER PUBLICATIONS

Edvotek Product Resource Guide 2013-2014, pp. 104-106.

* cited by examiner

Primary Examiner — Wan Laymon

(74) *Attorney, Agent, or Firm* — Panitch Schwarze Belisario & Nadel LLP

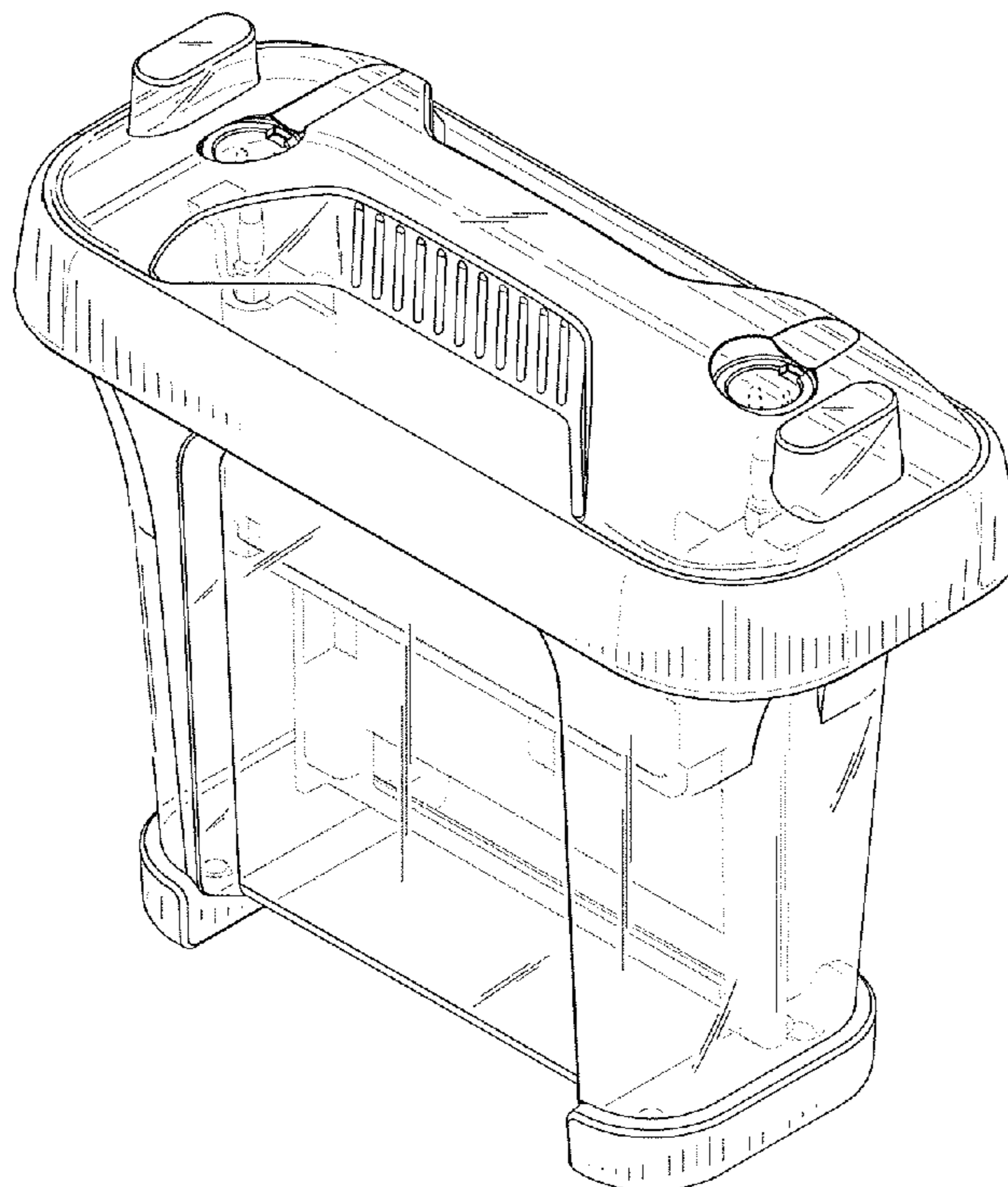
(57) **CLAIM**

The ornamental design for an electrophoresis apparatus, as shown and described.

DESCRIPTION

FIG. 1 is a top, front isometric view of an electrophoresis apparatus in accordance with our new design; FIG. 2 is a front elevation view thereof; FIG. 3 is a rear elevation view thereof; FIG. 4 is a left side elevation view thereof; FIG. 5 is a right side elevation view thereof; FIG. 6 is a top plan view thereof; and, FIG. 7 is a bottom plan view thereof. The portions of the electrophoresis apparatus shown in broken lines form no part of the claimed design.

1 Claim, 4 Drawing Sheets



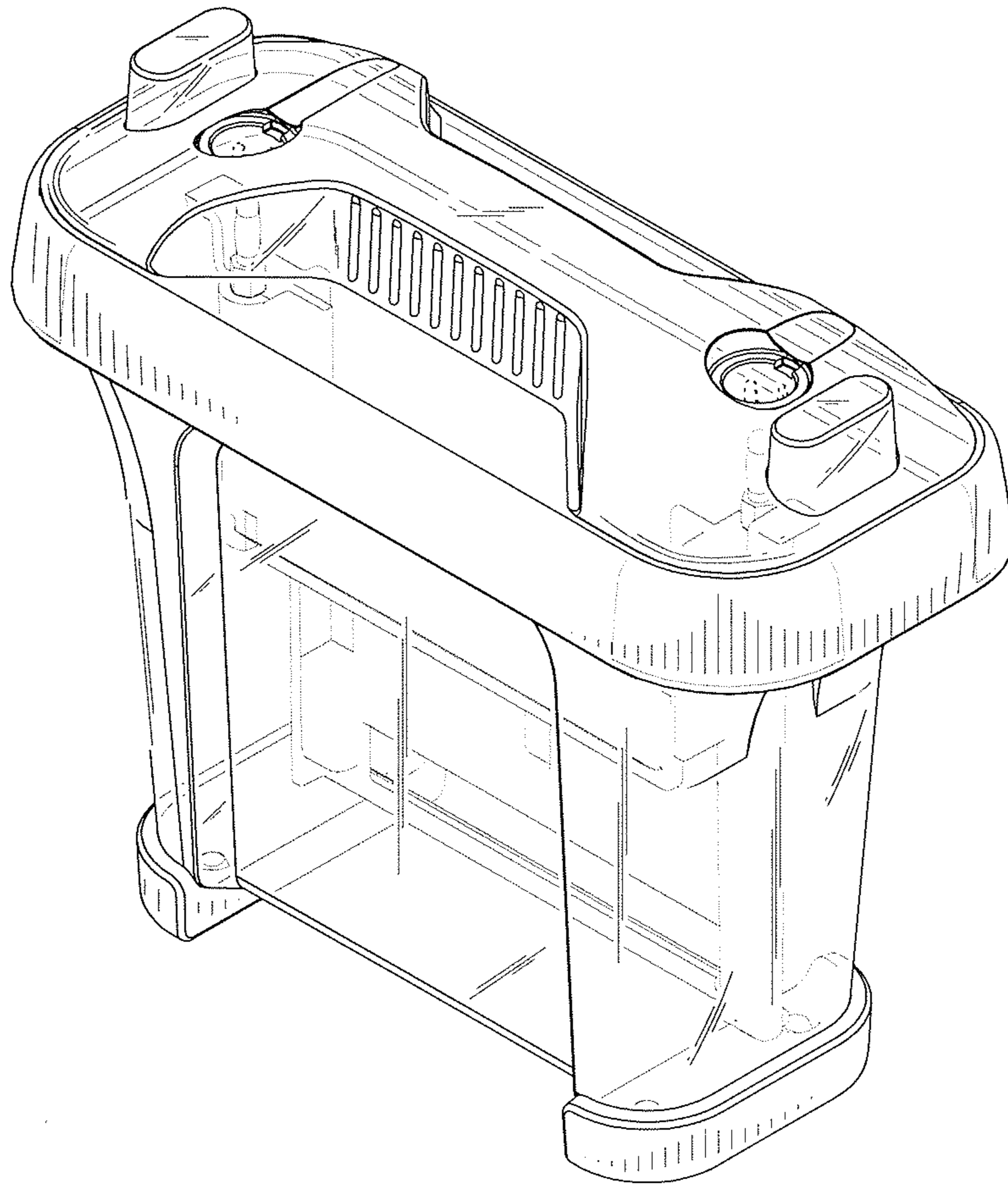


FIG. 1

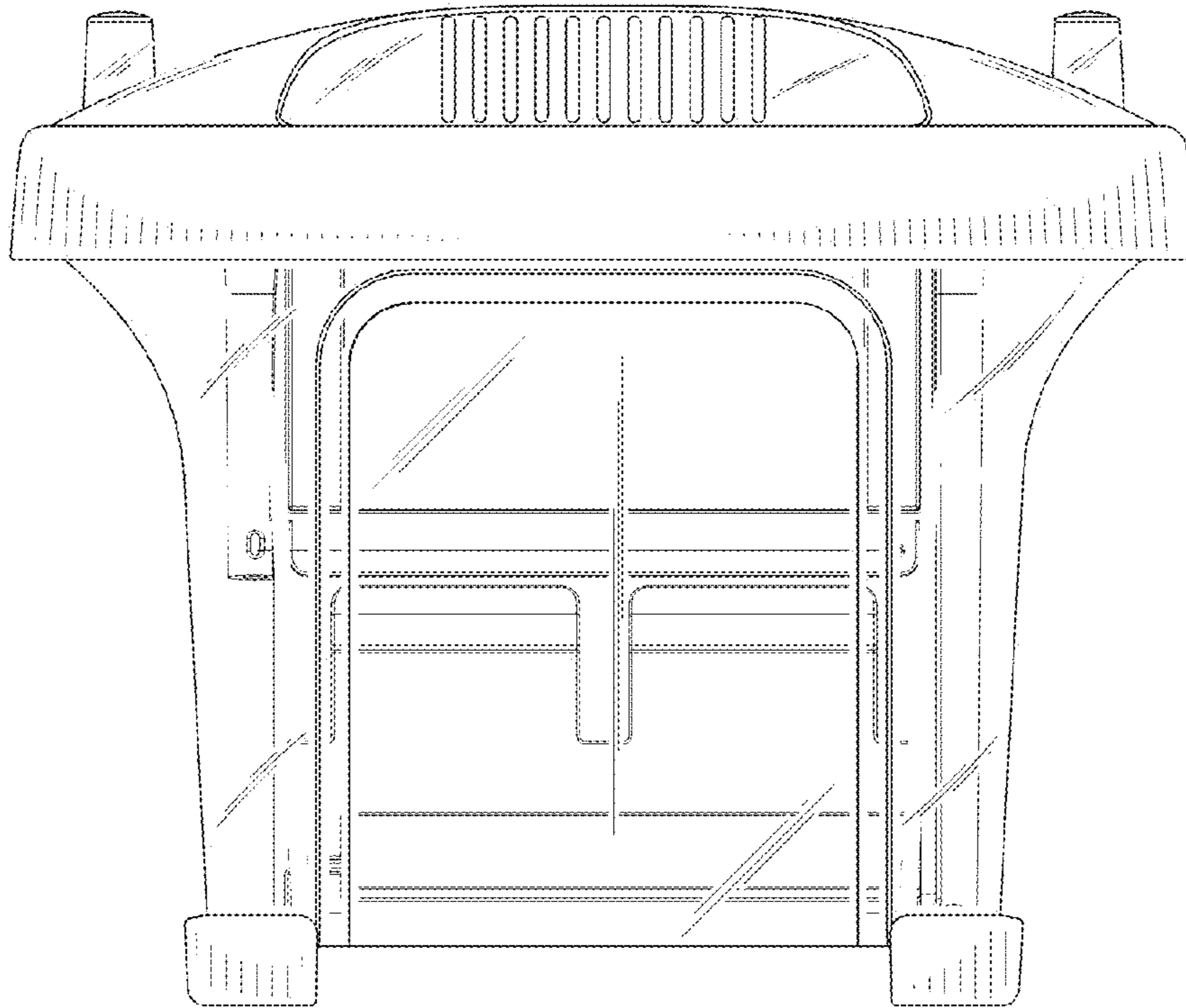


FIG. 2

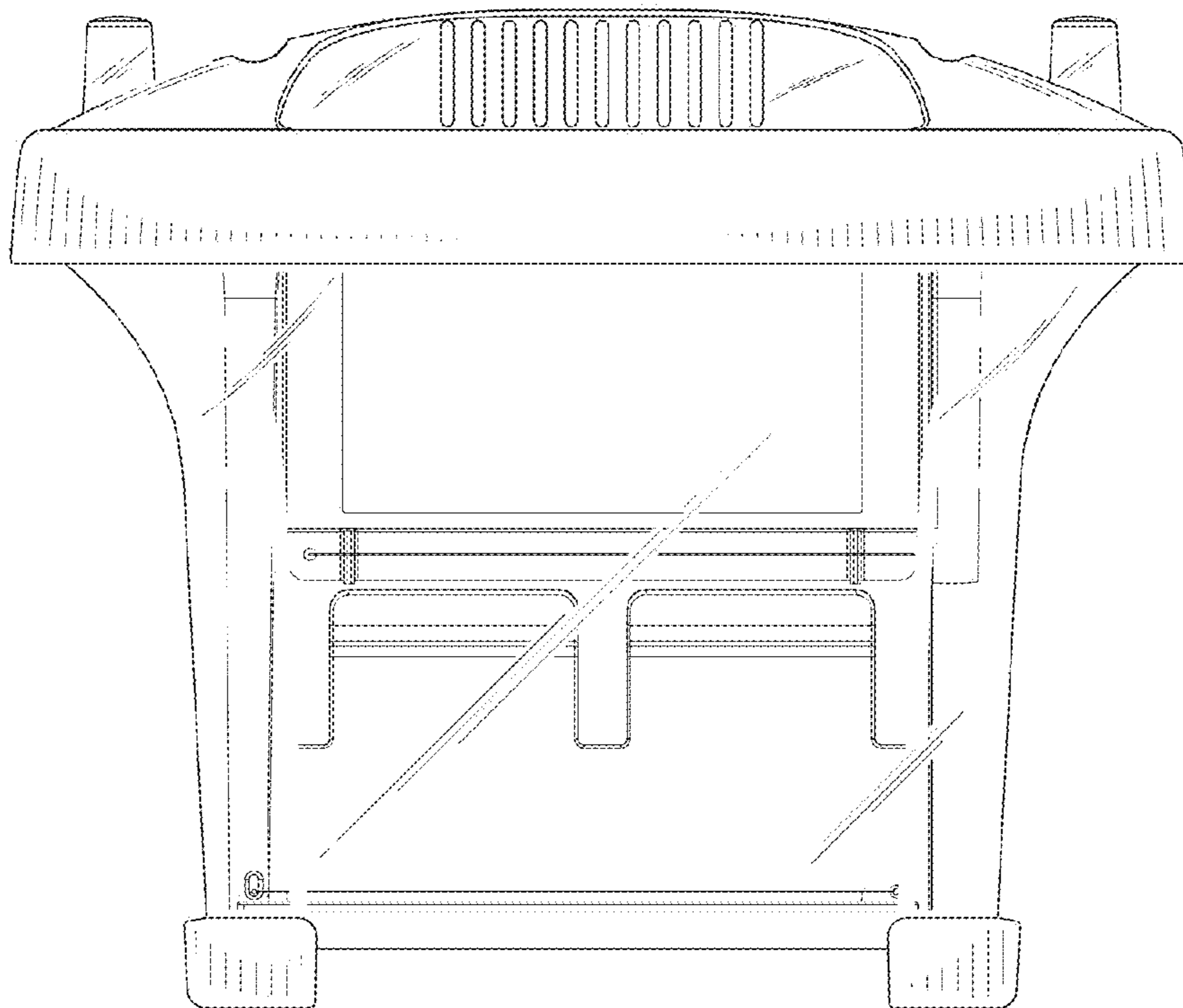


FIG. 3

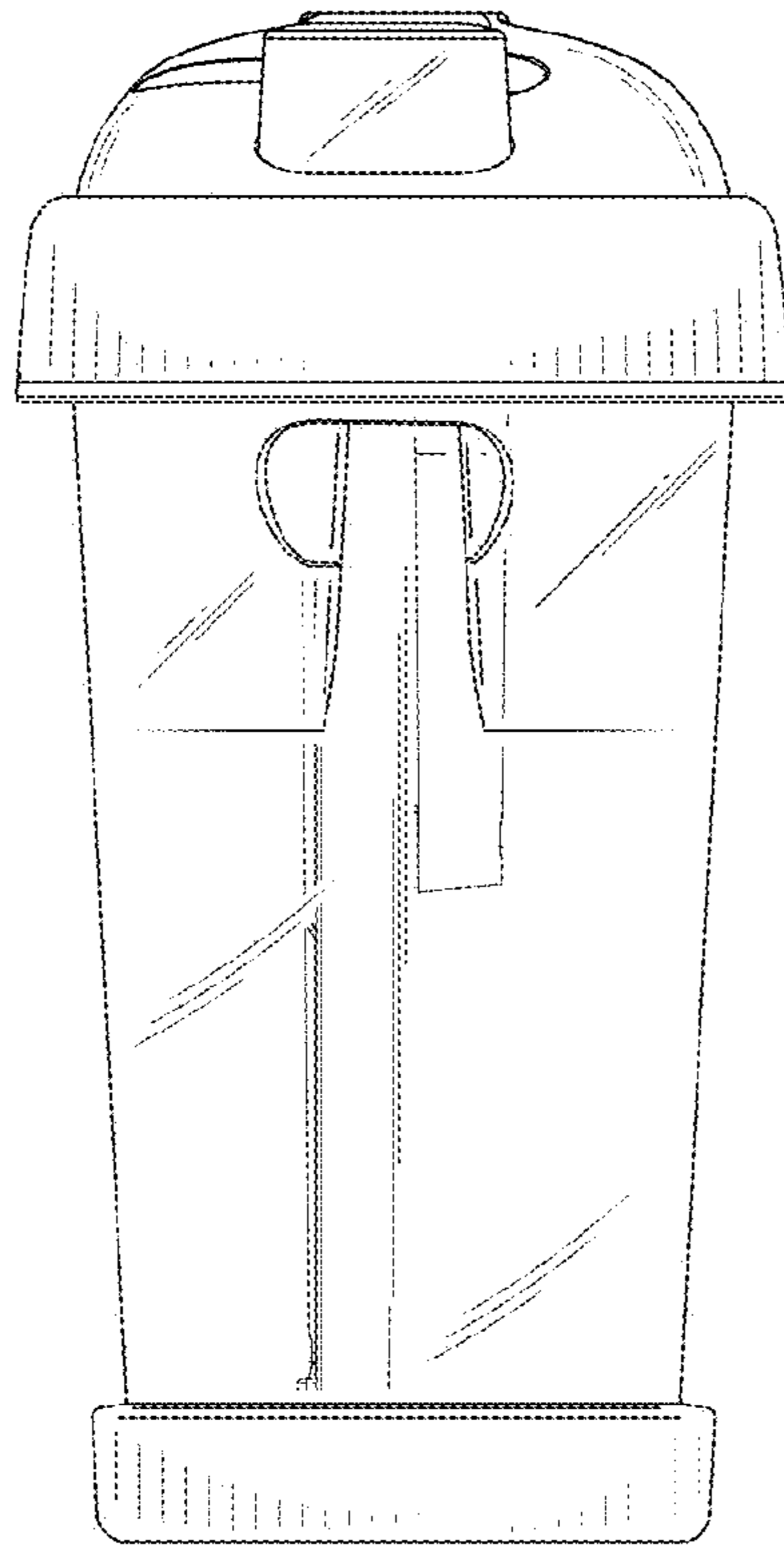


FIG. 4

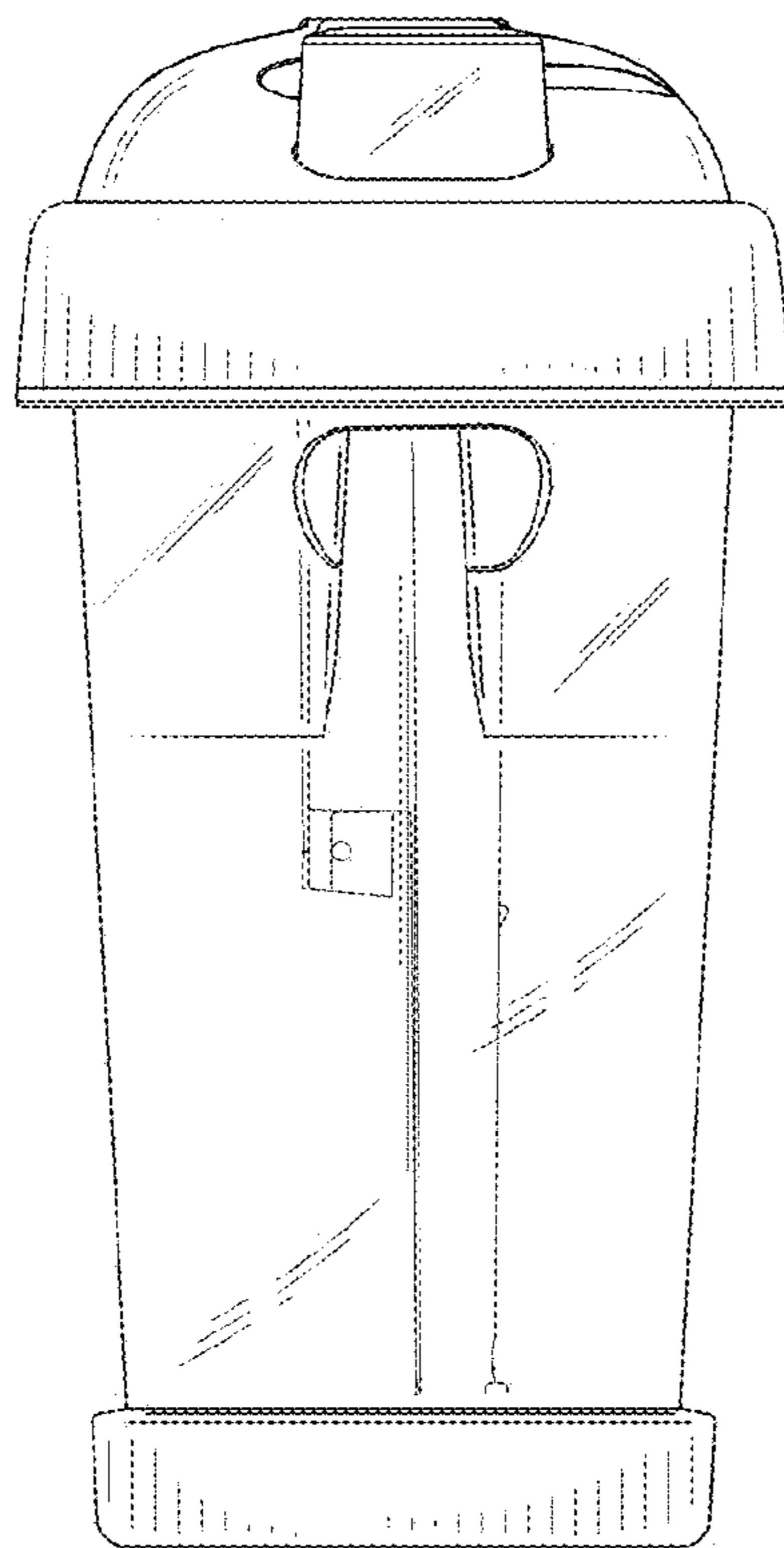


FIG. 5

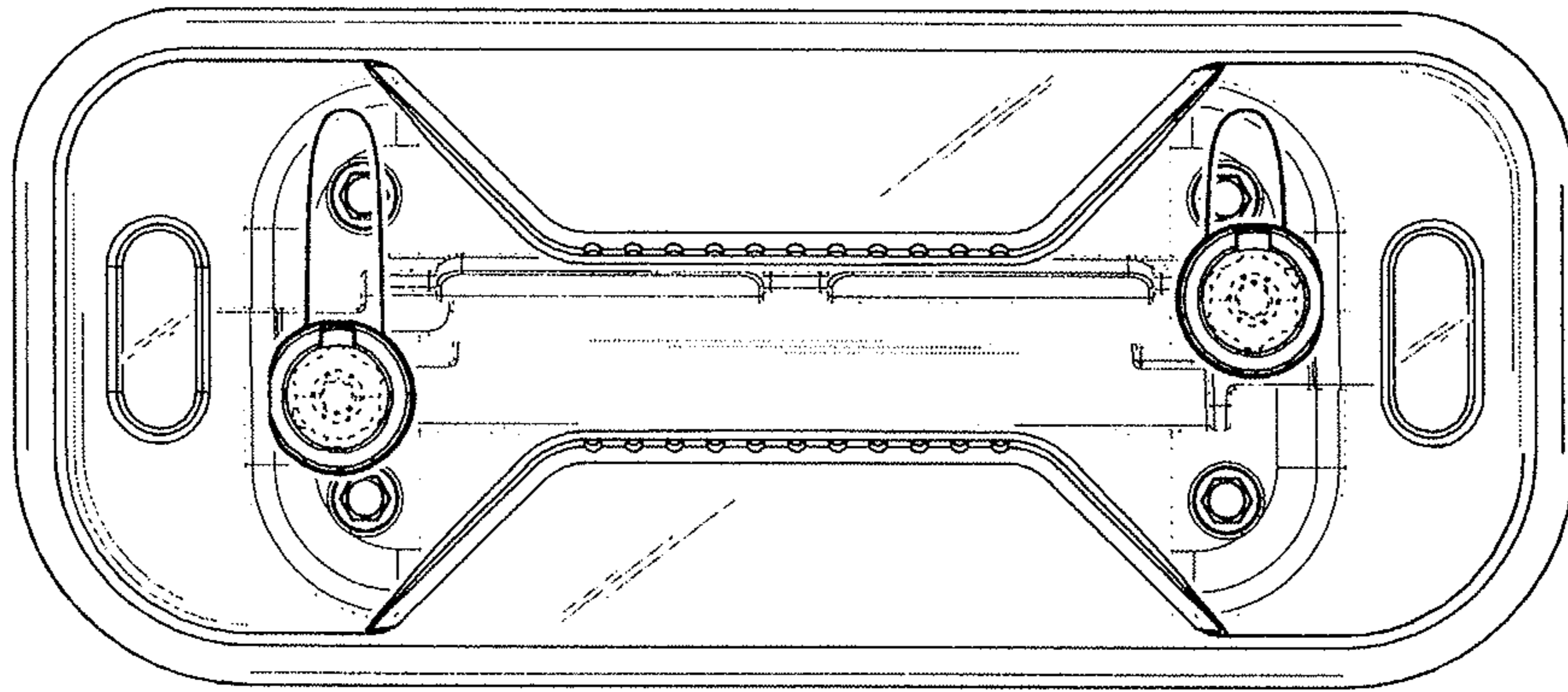


FIG. 6

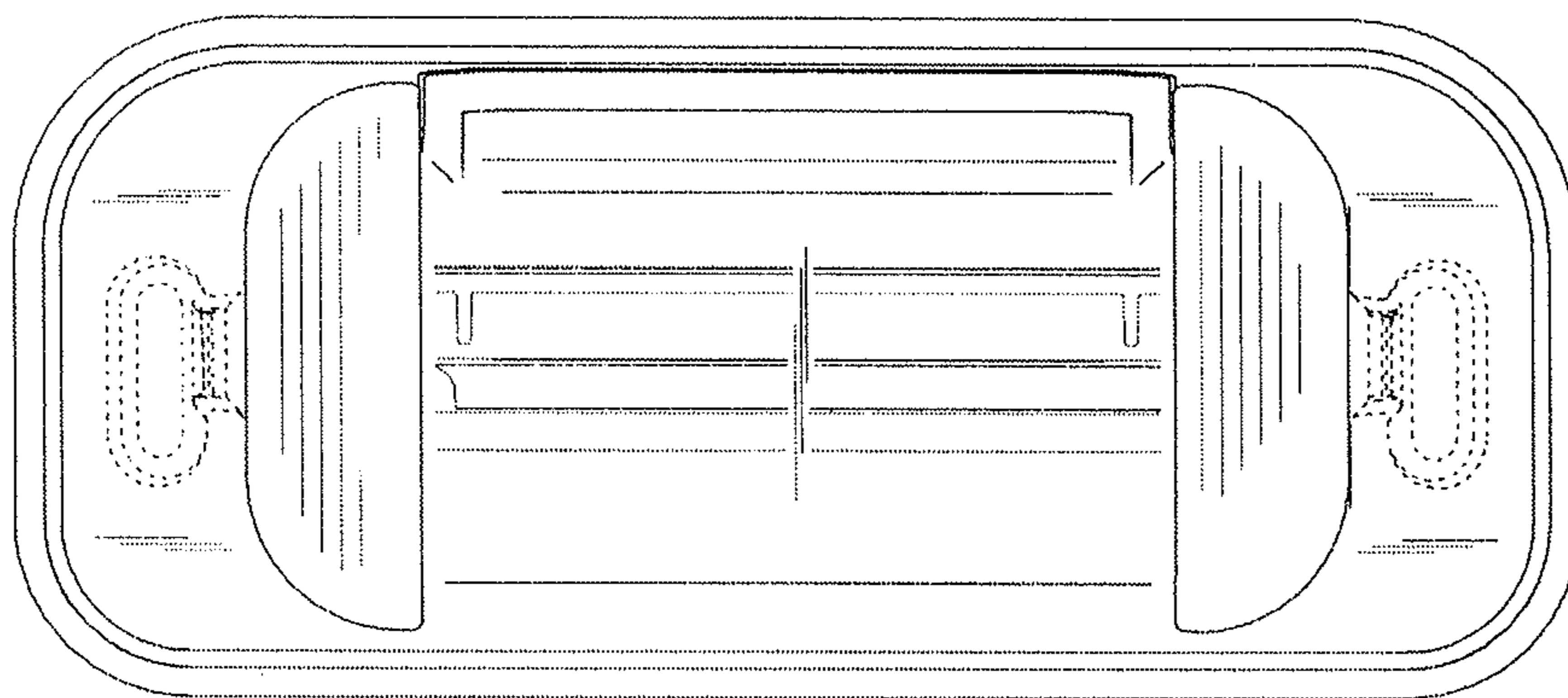


FIG. 7