



US00D757957S

(12) **United States Design Patent**  
**Moshfegh et al.**

(10) **Patent No.:** **US D757,957 S**  
(45) **Date of Patent:** **\*\* May 31, 2016**

(54) **HOLDER FOR A CHROMATOGRAPHY COLUMN**

(71) Applicant: **DIONEX CORPORATION**,  
Sunnyvale, CA (US)

(72) Inventors: **Khosro Moshfegh**, Fremont, CA (US);  
**Aung Hein**, Santa Clara, CA (US);  
**Licheng Tseng**, San Jose, CA (US)

(73) Assignee: **DIONEX CORPORATION**,  
Sunnyvale, CA (US)

(\*\*) Term: **14 Years**

(21) Appl. No.: **29/513,268**

(22) Filed: **Dec. 29, 2014**

(51) **LOC (10) Cl.** ..... **24-01**

(52) **U.S. Cl.**  
USPC ..... **D24/224; D24/232**

(58) **Field of Classification Search**  
USPC ..... D24/232-233, 128, 224, 143, 127, 227;  
D8/394; 422/266, 560-561; 210/249;  
248/231.85, 245  
CPC ..... G01N 30/6047  
See application file for complete search history.

(56) **References Cited**

U.S. PATENT DOCUMENTS

3,640,813 A	2/1972	Nerenberg	
3,893,813 A *	7/1975	Johnson	B01L 9/50 422/564
4,732,672 A	3/1988	Kiang et al.	
6,343,690 B1 *	2/2002	Britton	G01N 35/04 198/803.6
D540,466 S *	4/2007	Homra	D24/128

(Continued)

Primary Examiner — Wan Laymon

(74) Attorney, Agent, or Firm — Timothy J. Ohara

(57) **CLAIM**

We claim the ornamental design for a holder for a chromatography column, as shown and described.

**DESCRIPTION**

FIG. 1 is a bottom perspective view of a first version of a holder for a chromatography column with dashed lines that represent an unclaimed environment.

FIG. 2 is the bottom perspective view of the first version of the holder for a chromatography column shown at a reduced scale.

FIG. 3 is a top perspective view of the first version of the holder for a chromatography column shown at a reduced scale.

FIG. 4 is a front elevational view of the first version of the holder for a chromatography column, the rear elevational view is identical thereto.

FIG. 5 is a right side elevational view of the first version of the holder for a chromatography column, the left side elevational view is identical thereto.

FIG. 6 is a top plan view of the first version of the holder for a chromatography column.

FIG. 7 is a bottom plan view of the first version of the holder for a chromatography column.

FIG. 8 is the bottom perspective view of a second version of the holder for a chromatography column shown at a reduced scale.

FIG. 9 is a top perspective view of the second version of the holder for a chromatography column shown at a reduced scale.

FIG. 10 is a front elevational view of the second version of the holder for a chromatography column, the rear elevational view is identical thereto.

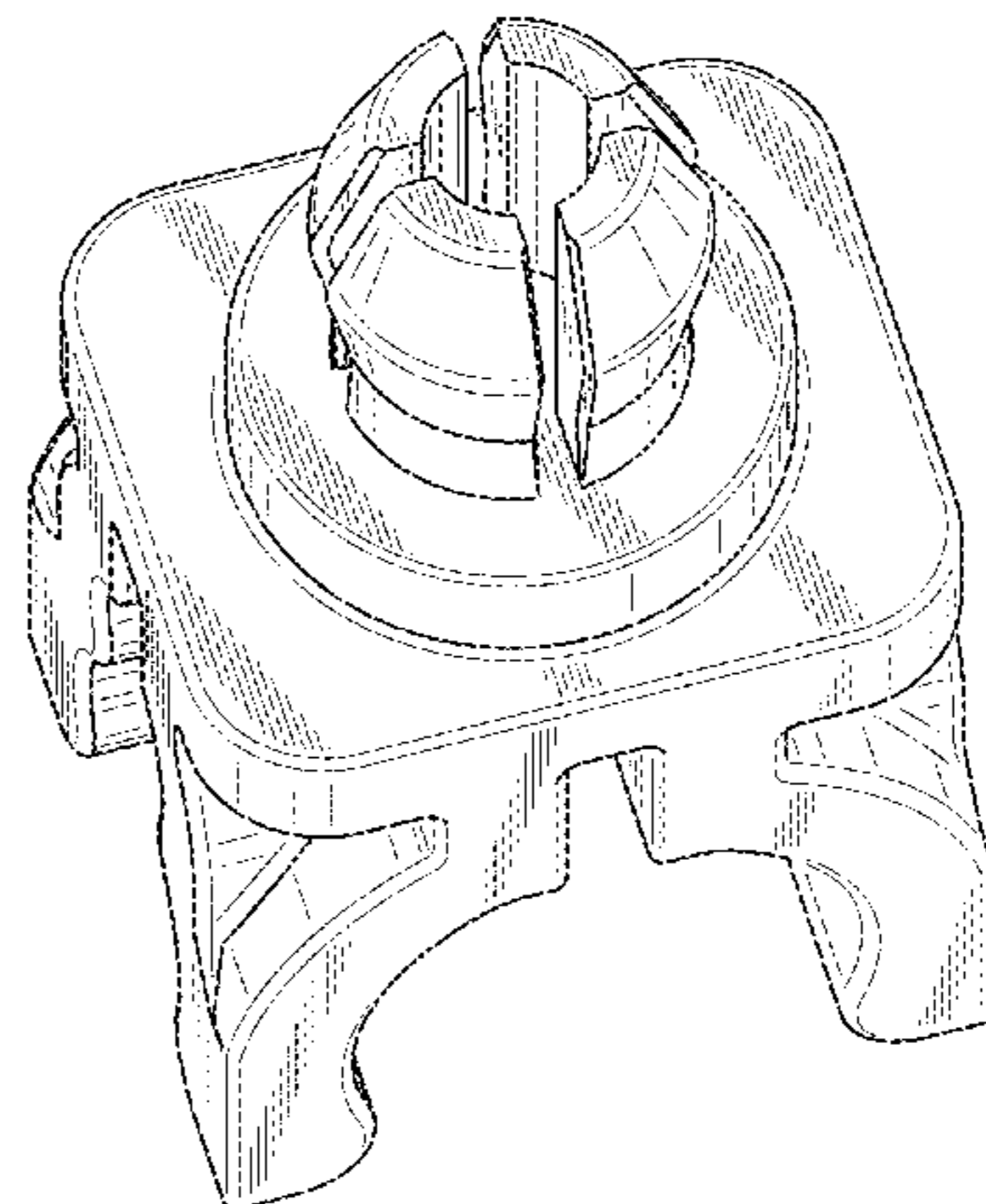
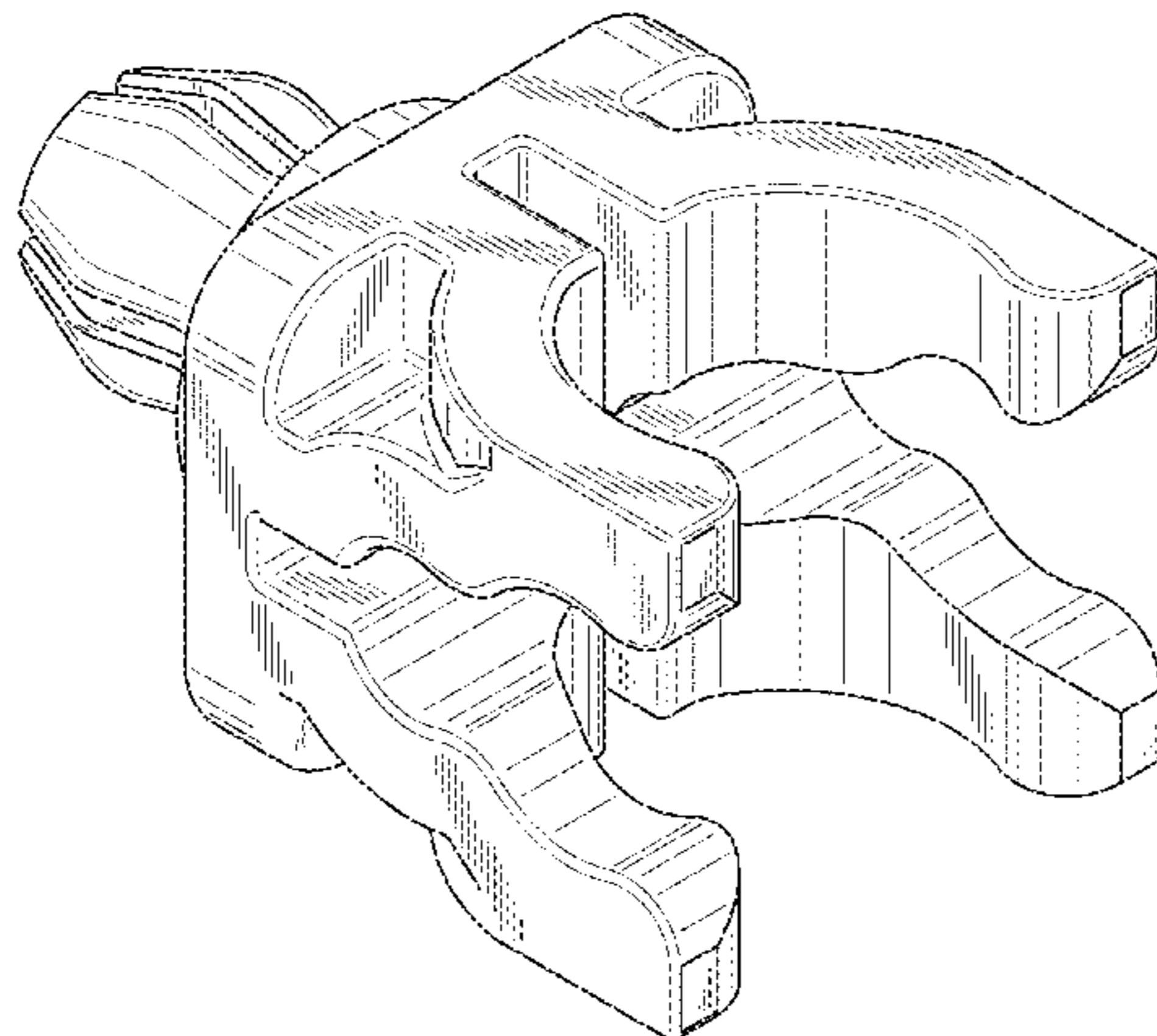
FIG. 11 is a right side elevational view of the second version of the holder for a chromatography column, the left side elevational view is identical thereto.

FIG. 12 is a top plan view of the second version of the holder for a chromatography column; and,

FIG. 13 is a bottom plan view of the second version of the holder for a chromatography column.

The broken line showing in FIG. 1 is included for the purpose of illustrating environmental structure and forms no part of the claimed design.

**1 Claim, 10 Drawing Sheets**



# US D757,957 S

Page 2

---

(56)

## References Cited

			8,367,024 B2 *	2/2013	Itoh .....	B01L 9/06 422/560
	U.S. PATENT DOCUMENTS					
			8,636,259 B2	1/2014	Manke et al.	
			2010/0154207 A1	6/2010	Ford et al.	
			2013/0022500 A1 *	1/2013	Angeloni Suter .....	C12M 23/34 422/560
7,575,676 B2	8/2009	Prentice et al.				
7,686,953 B2 *	3/2010	Bailey .....	G01N 30/6047 210/232			
D637,311 S *	5/2011	Isobe .....	D24/227			

\* cited by examiner

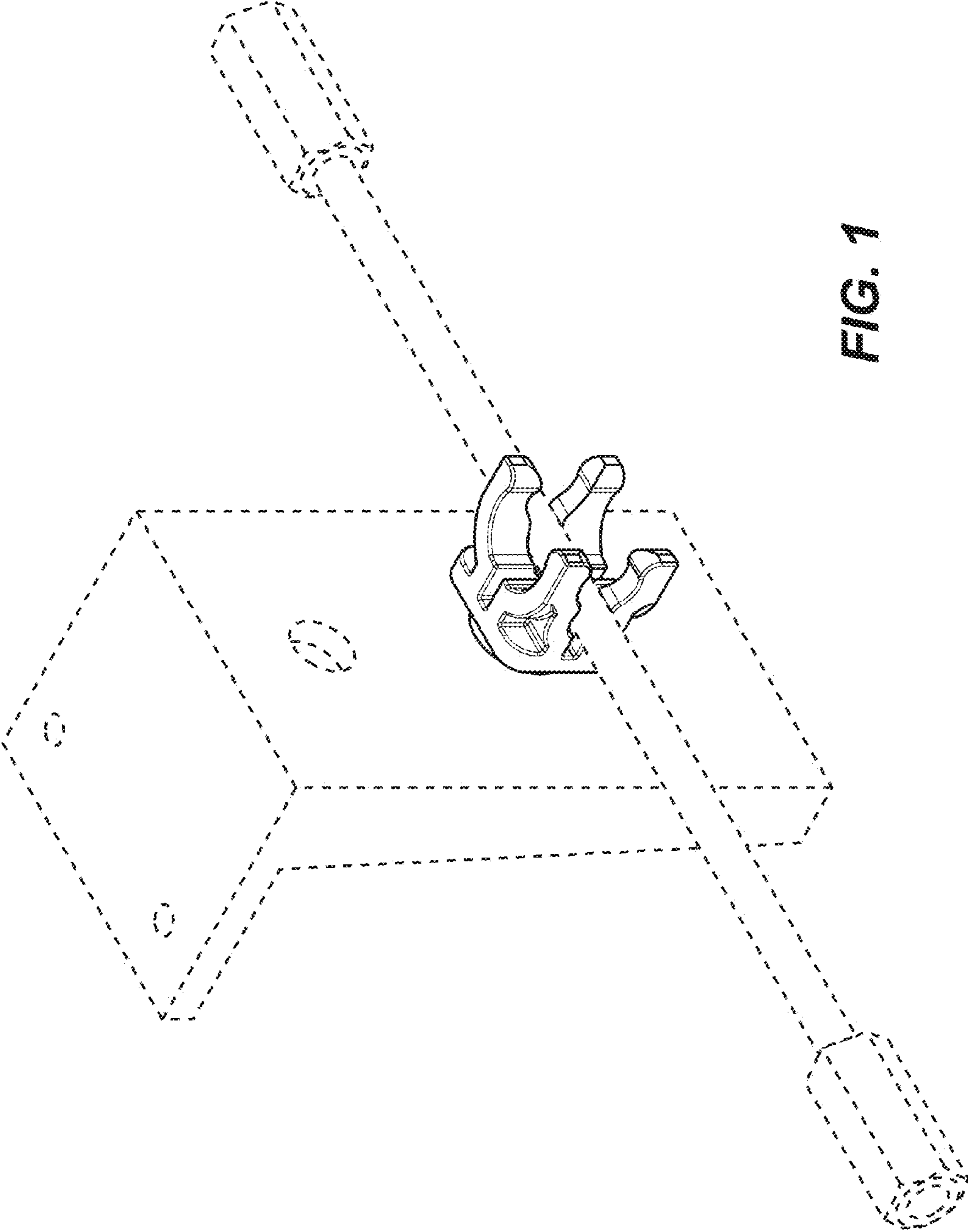
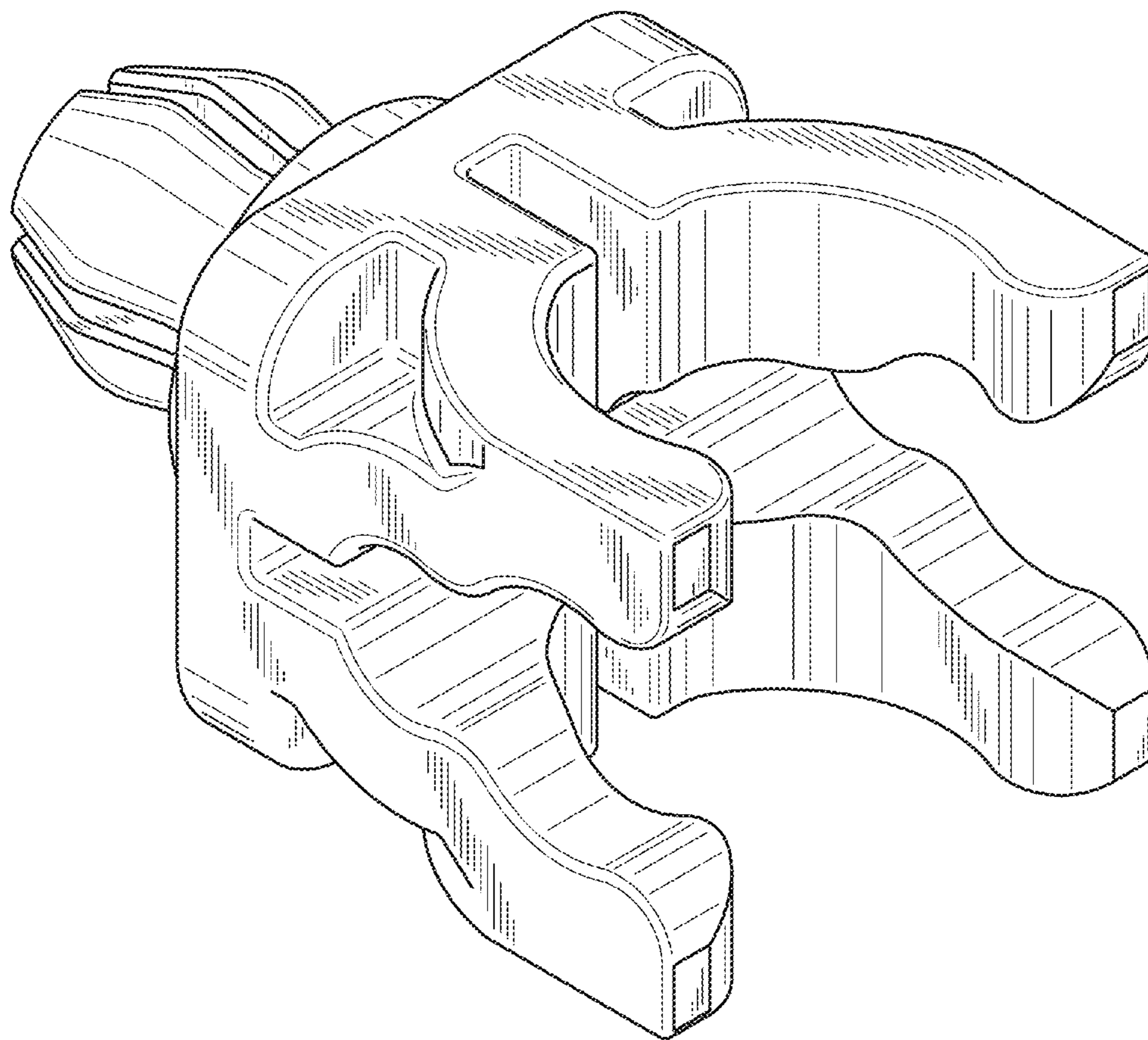
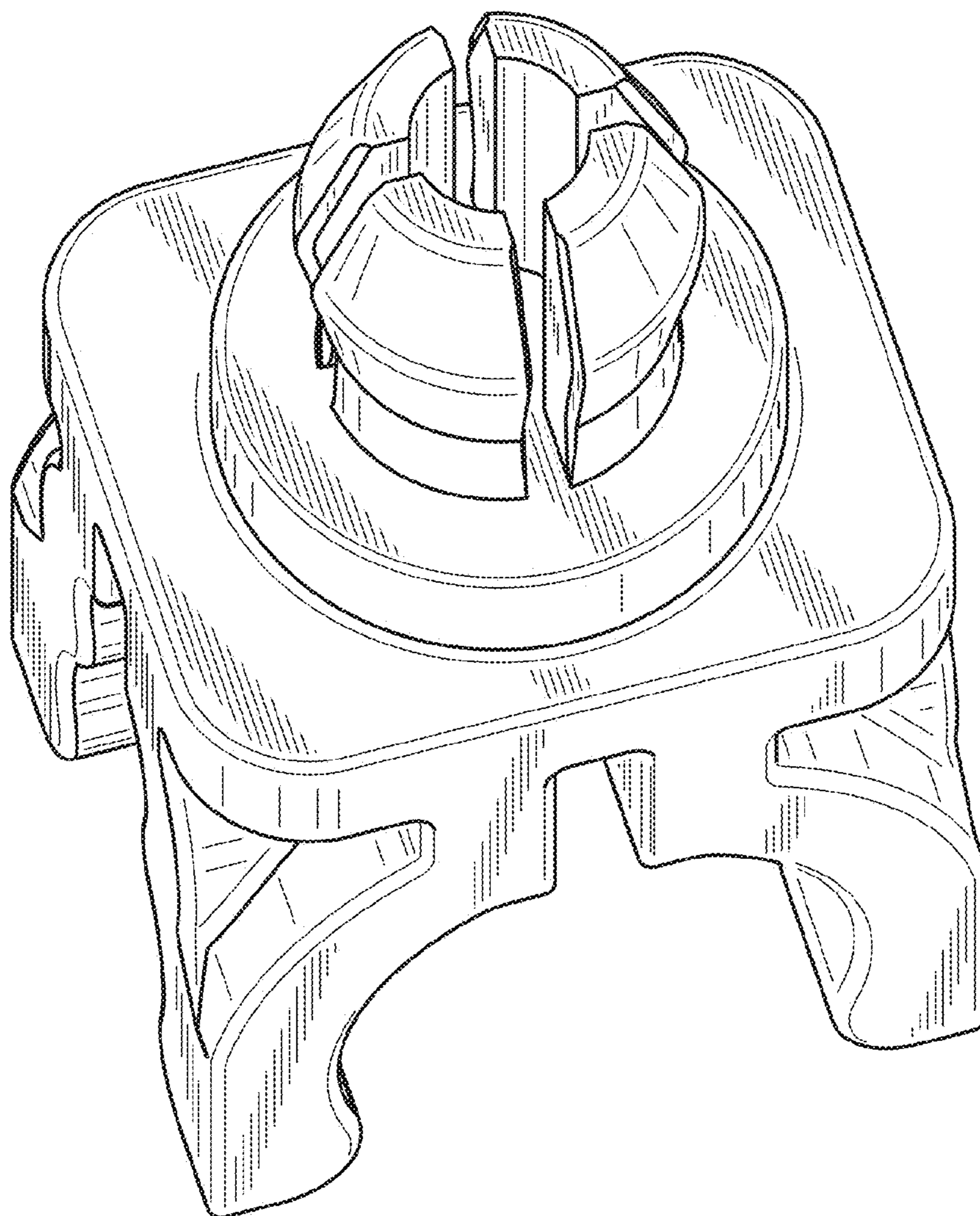


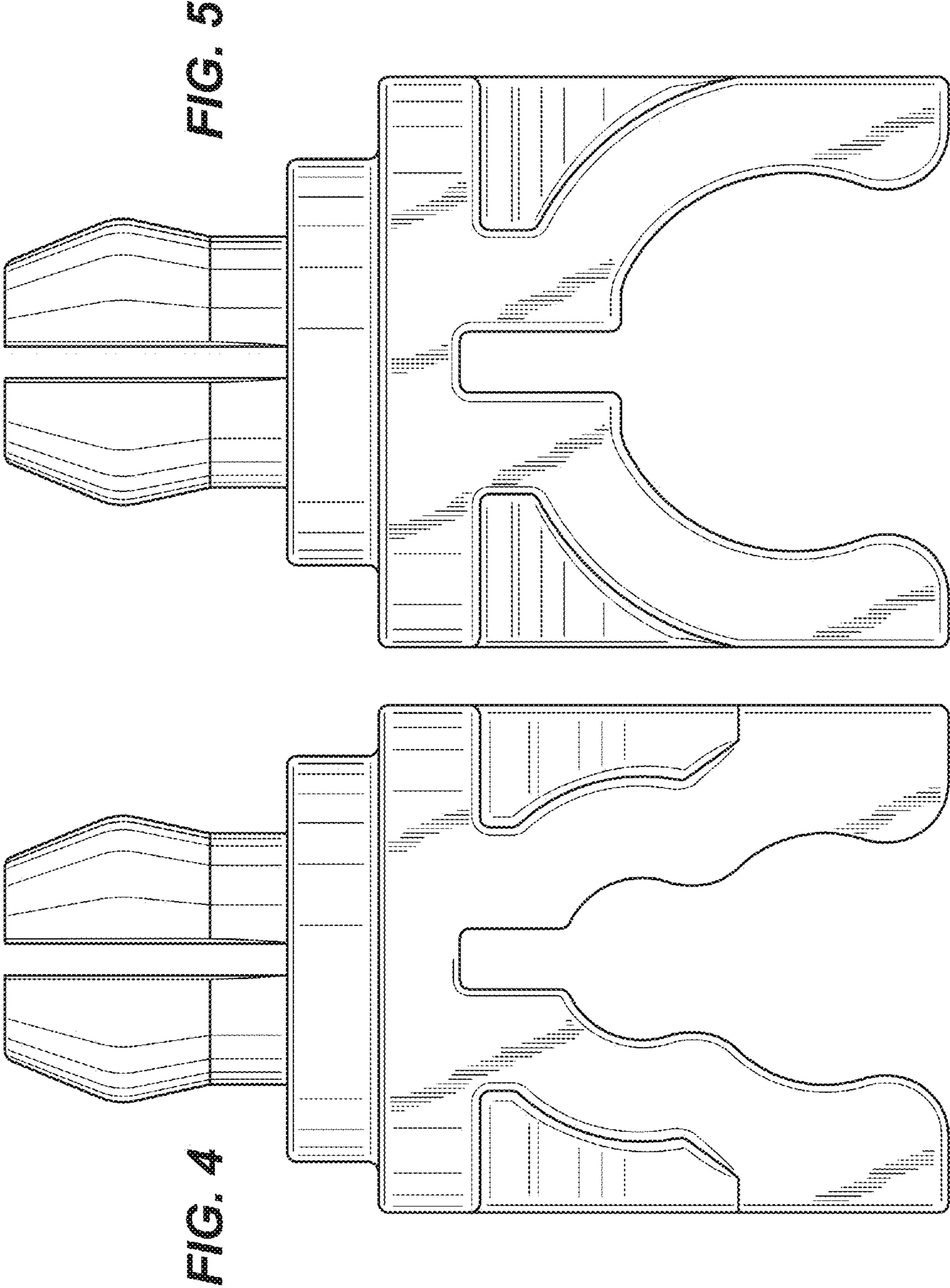
FIG. 1



**FIG. 2**



**FIG. 3**



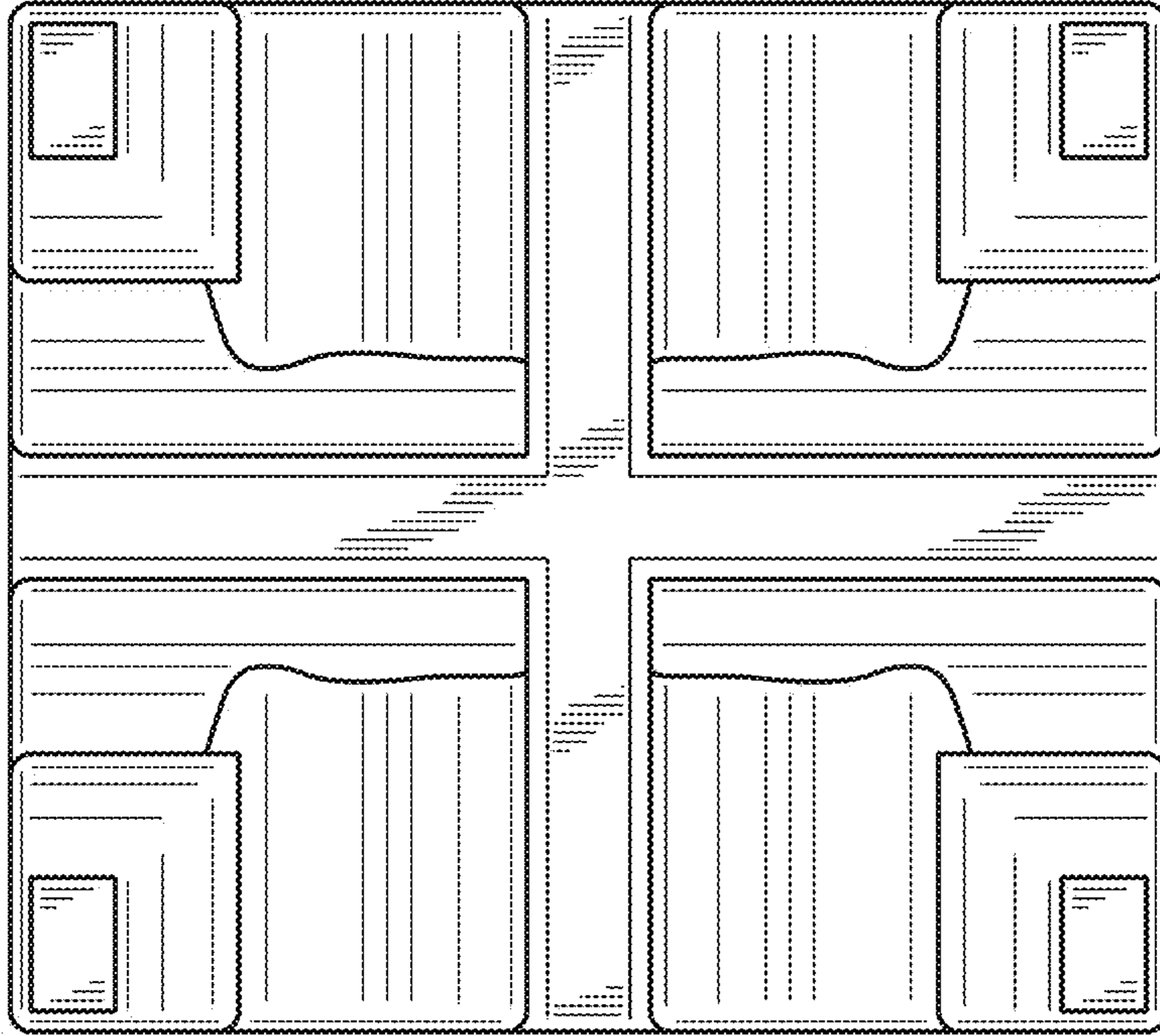


FIG. 7

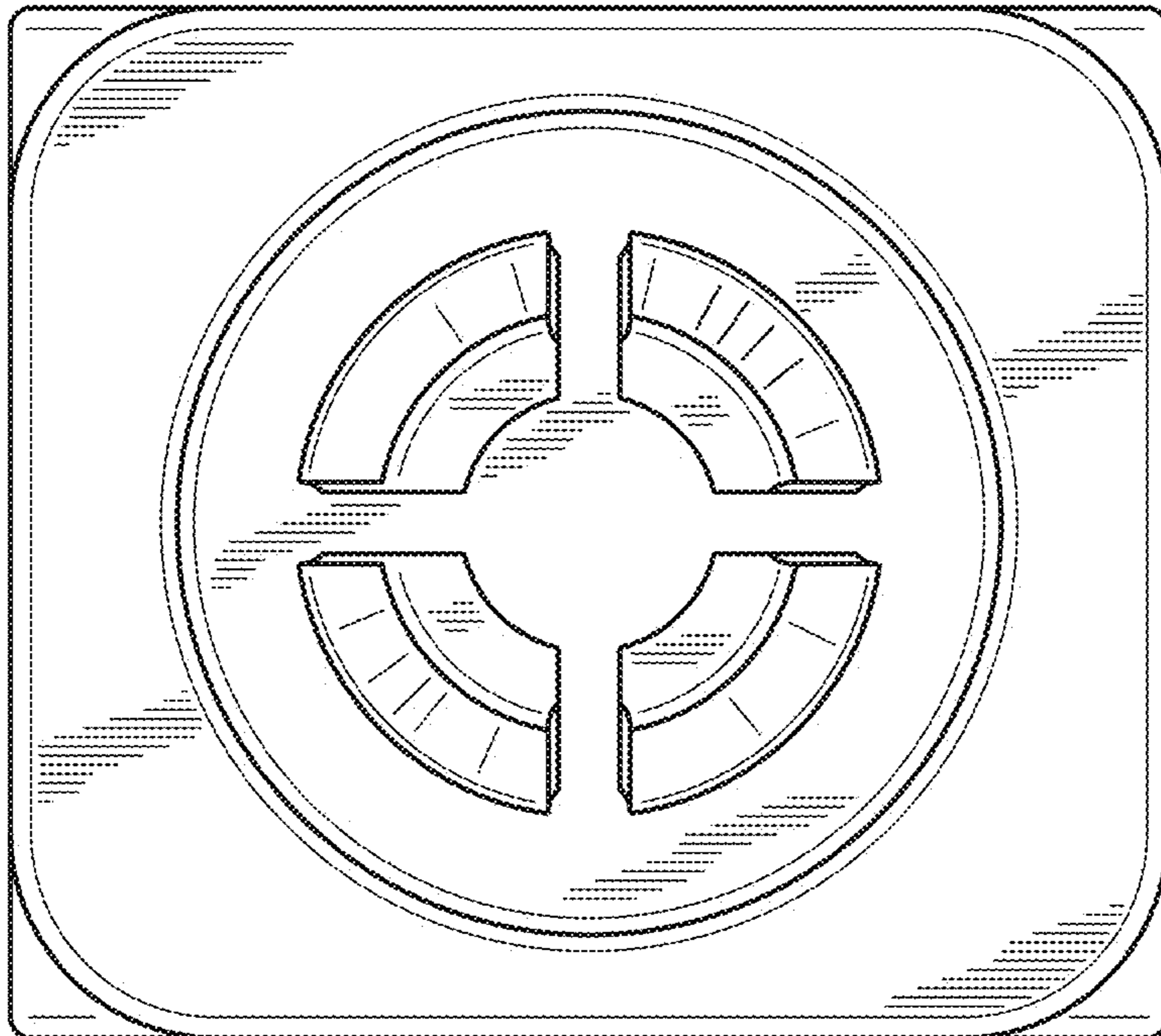
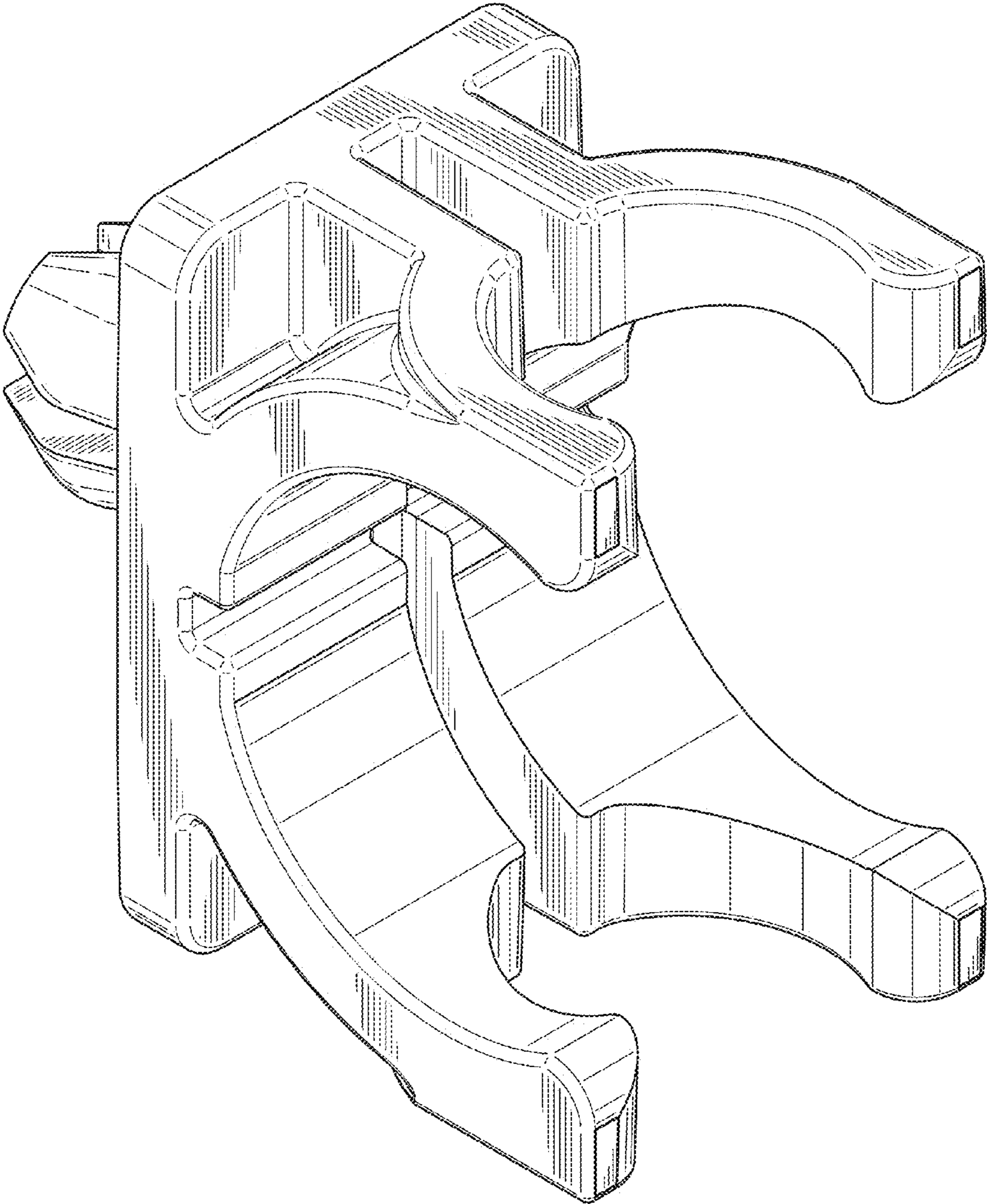
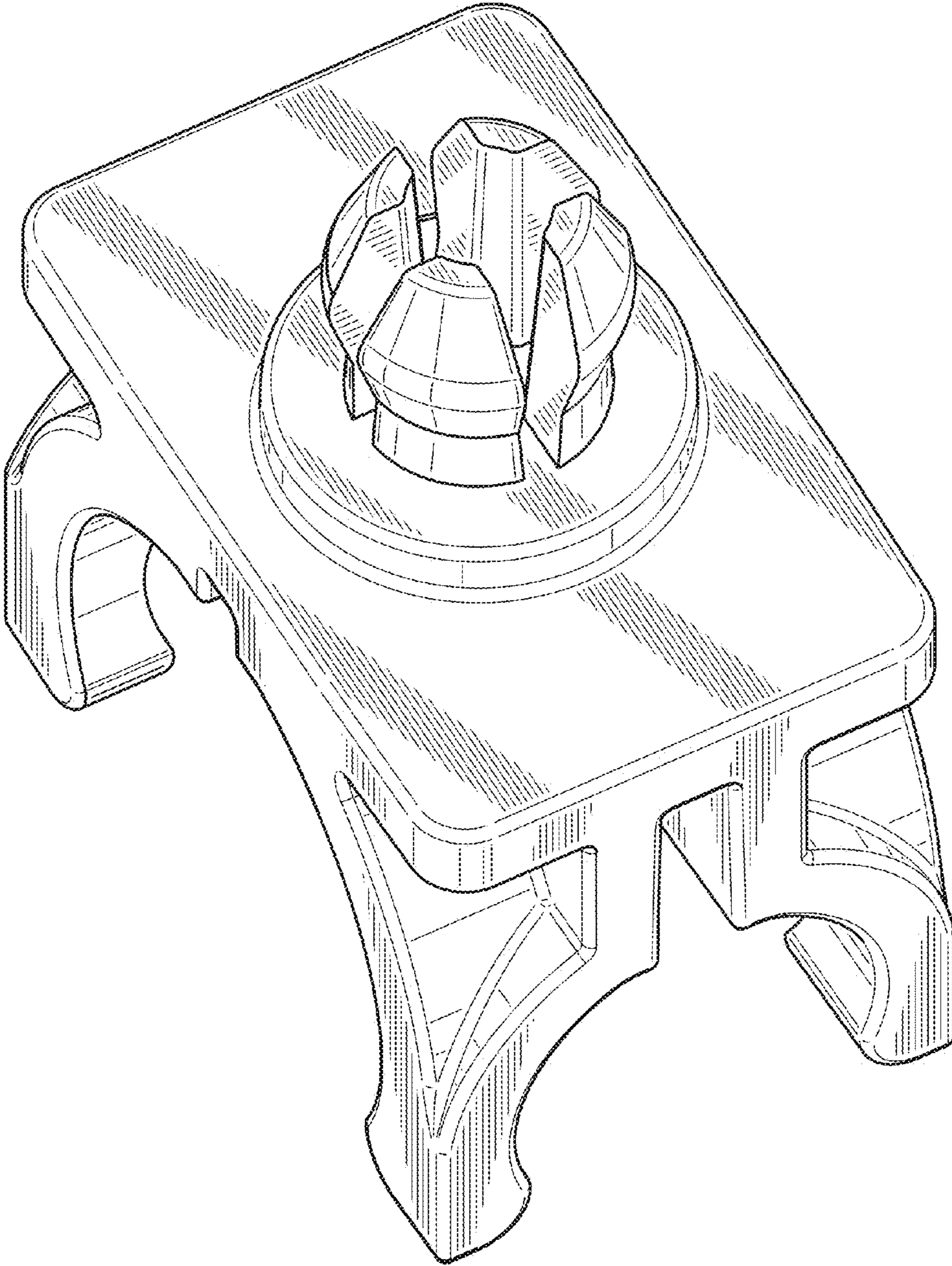


FIG. 6



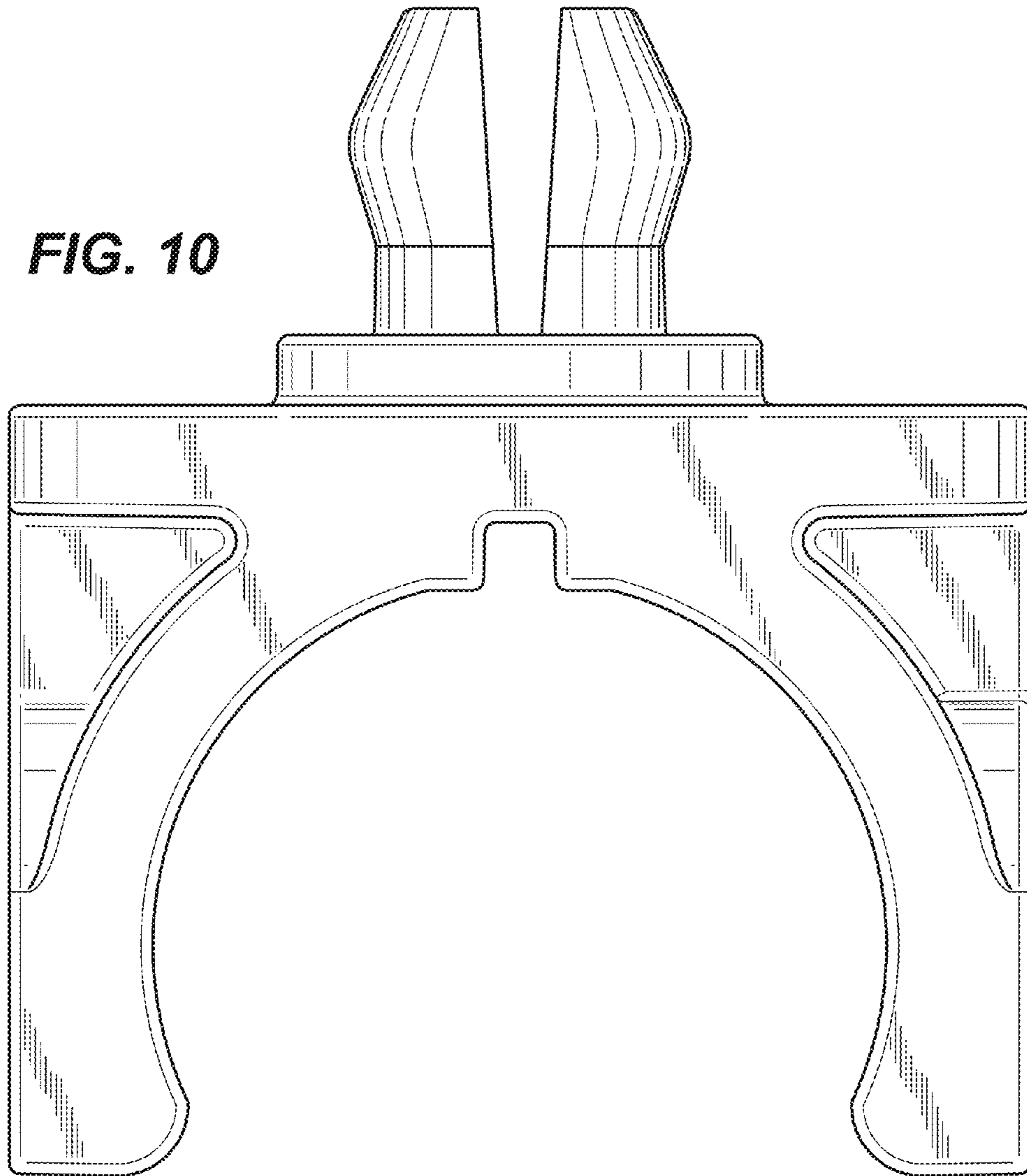
**FIG. 8**



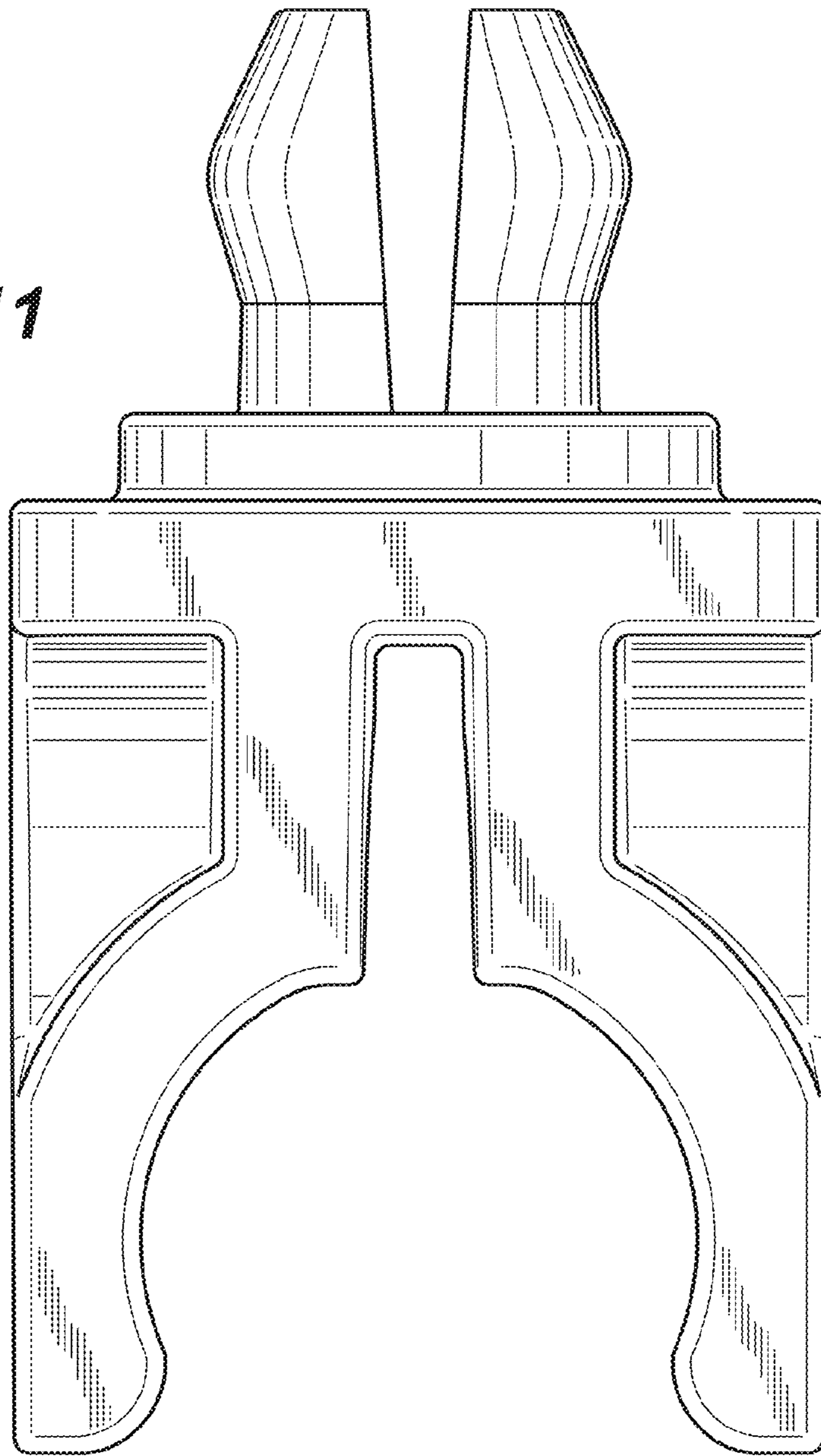


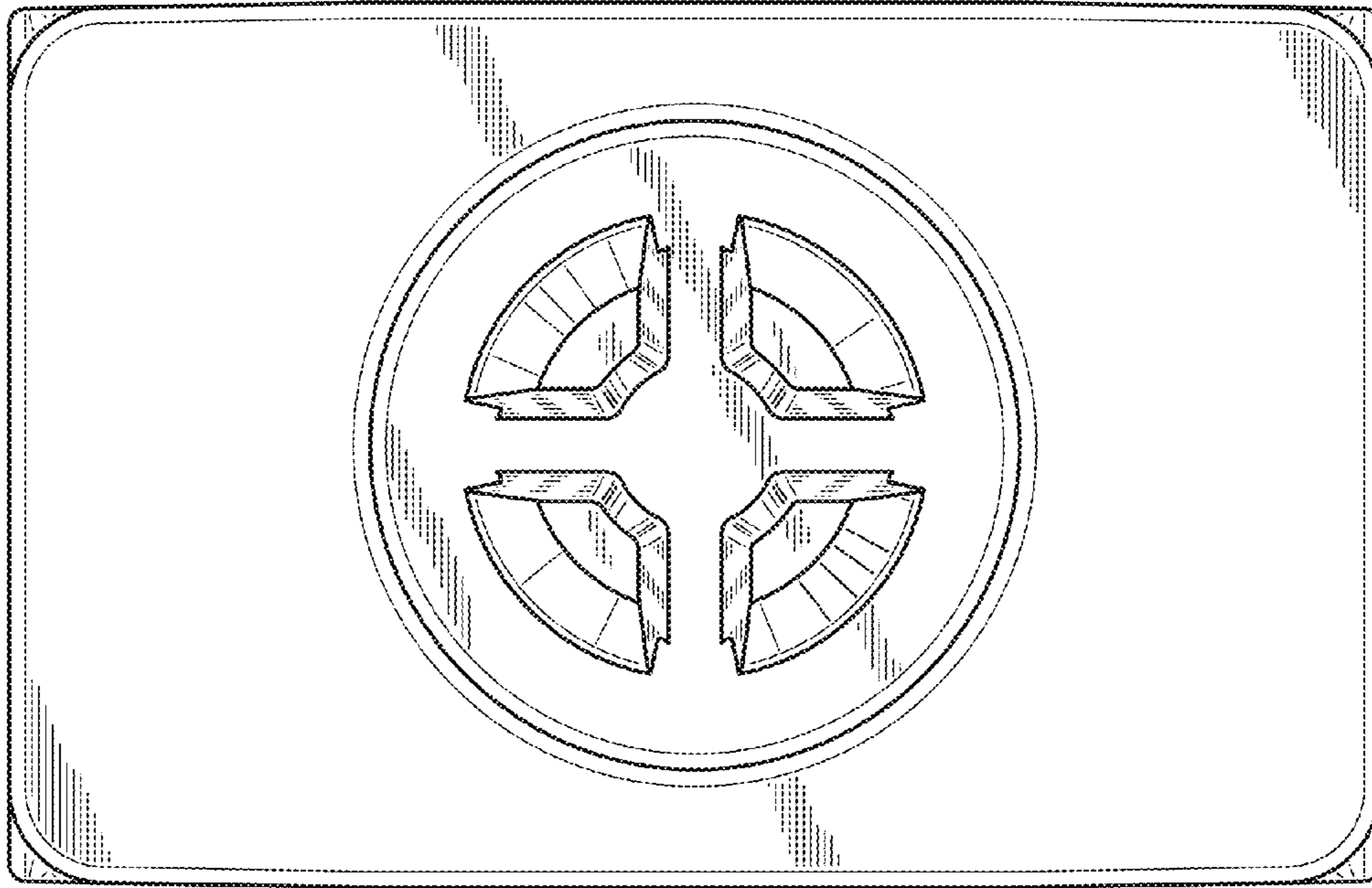
**FIG. 9**

**FIG. 10**

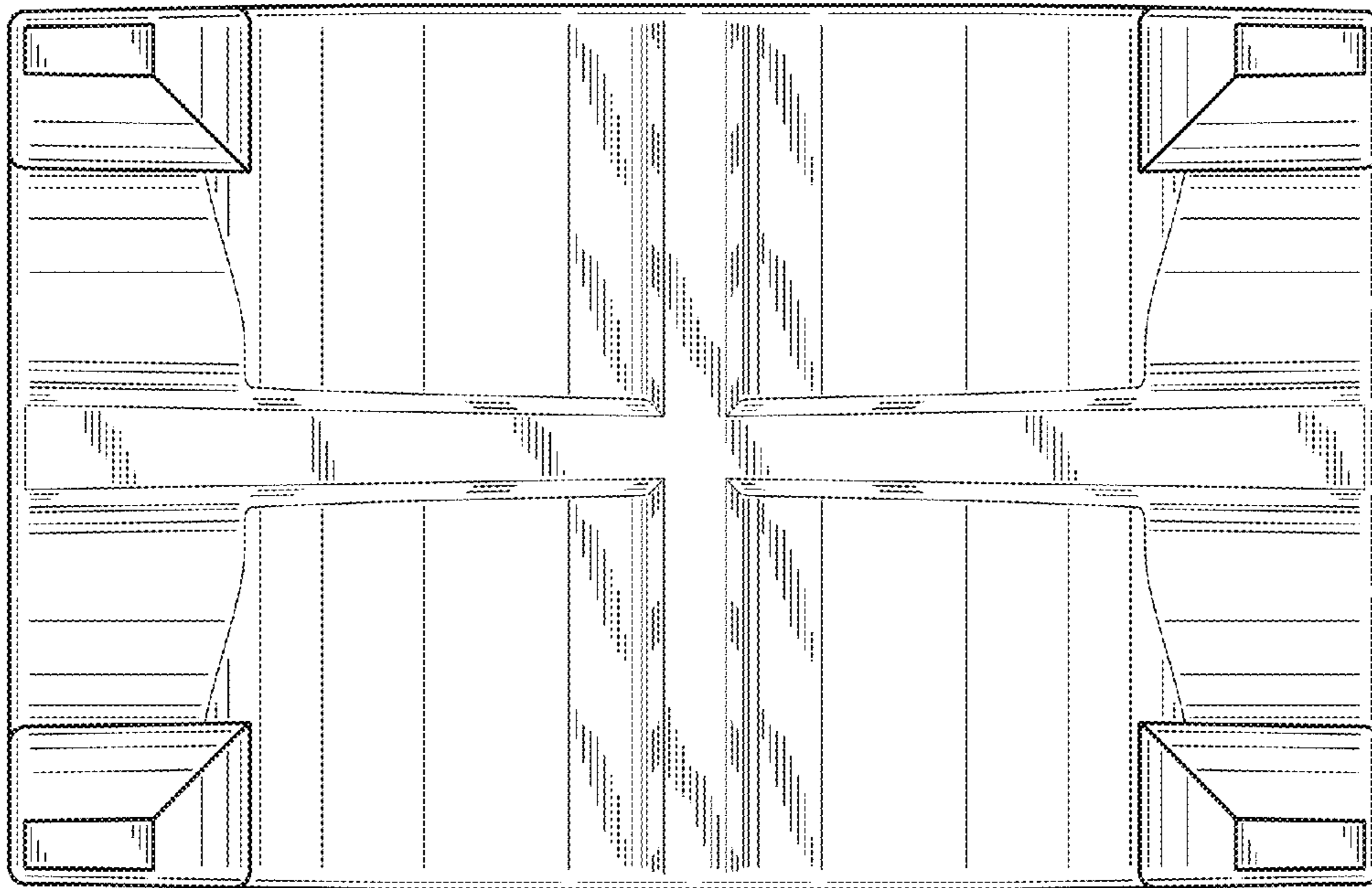


**FIG. 11**





**FIG. 12**



**FIG. 13**