



US00D757956S

(12) **United States Design Patent**
Brandenburger

(10) **Patent No.:** **US D757,956 S**

(45) **Date of Patent:** **** May 31, 2016**

(54) **AMPOULE**

(56) **References Cited**

(71) Applicant: **Fresenius Kabi Deutschland GmbH,**
Bad Homburg (DE)

(72) Inventor: **Torsten Brandenburger,** Reichelsheim
(DE)

(73) Assignee: **Fresenius Kabi Deutschland GmbH,**
Bad Homburg (DE)

(**) Term: **14 Years**

(21) Appl. No.: **29/481,743**

(22) Filed: **Feb. 10, 2014**

(30) **Foreign Application Priority Data**

Aug. 9, 2013 (EM) 002289264-0001
Aug. 9, 2013 (EM) 002289264-0002
Aug. 9, 2013 (EM) 002289264-0004

(51) **LOC (10) Cl.** **24-02**

(52) **U.S. Cl.**
USPC **D24/224; D9/547**

(58) **Field of Classification Search**
USPC D24/216, 219, 223–232, 121; D10/81;
D3/201, 203.1; 422/500, 547, 554,
422/556; 435/288.1, 304.1, 304.3, 294.1;
D9/516, 572–574, 558, 547, 541, 529,
D9/542, 523, 600

See application file for complete search history.

U.S. PATENT DOCUMENTS

4,770,854	A *	9/1988	Lyman	422/556
5,139,952	A *	8/1992	Honda et al.	422/547
D358,993	S *	6/1995	Hot	D9/570
D379,520	S *	5/1997	Stevens et al.	D24/224
D379,521	S *	5/1997	Stevens et al.	D24/224
D588,465	S *	3/2009	Abrams et al.	D9/558
D600,564	S *	9/2009	da Barp	D9/547
D606,413	S *	12/2009	Dammkoehler	D9/541
D612,738	S *	3/2010	Bansal	D9/529
D626,002	S *	10/2010	Charyszyn et al.	D9/542
7,820,431	B2 *	10/2010	Kenney et al.	435/294.1
D669,786	S *	10/2012	McMillian et al.	D9/523
D674,288	S *	1/2013	Gieske	D9/600
D685,497	S *	7/2013	Kenney et al.	D24/224
2004/0106191	A1 *	6/2004	Muser	435/304.3

* cited by examiner

Primary Examiner — T. Chase Nelson

Assistant Examiner — Mark Cavanna

(74) *Attorney, Agent, or Firm* — Occhiuti & Rohlicek LLP

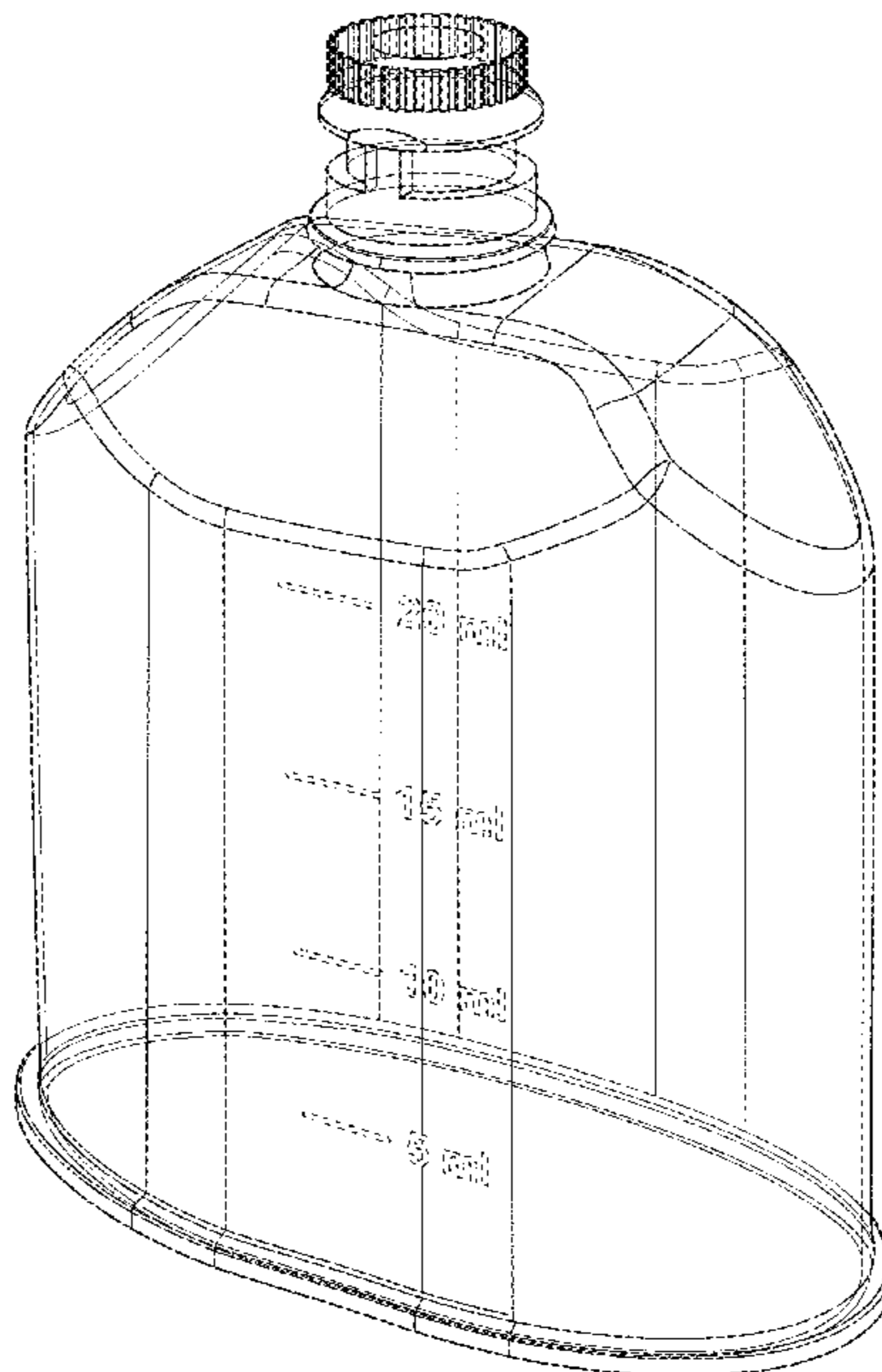
(57) **CLAIM**

The ornamental design for an ampoule, as shown and described.

DESCRIPTION

FIG. 1 is a perspective view of the ampoule.
FIG. 2 is a front view thereof.
FIG. 3 is a rear view thereof.
FIG. 4 is a bottom view thereof.
FIG. 5 is a top view thereof
FIG. 6 is a side view thereof; and,
FIG. 7 is an opposite side view thereof.
The broken lines are included for the purpose of illustrating unclaimed portions of the ampoule and form no part of the claimed design.

1 Claim, 6 Drawing Sheets



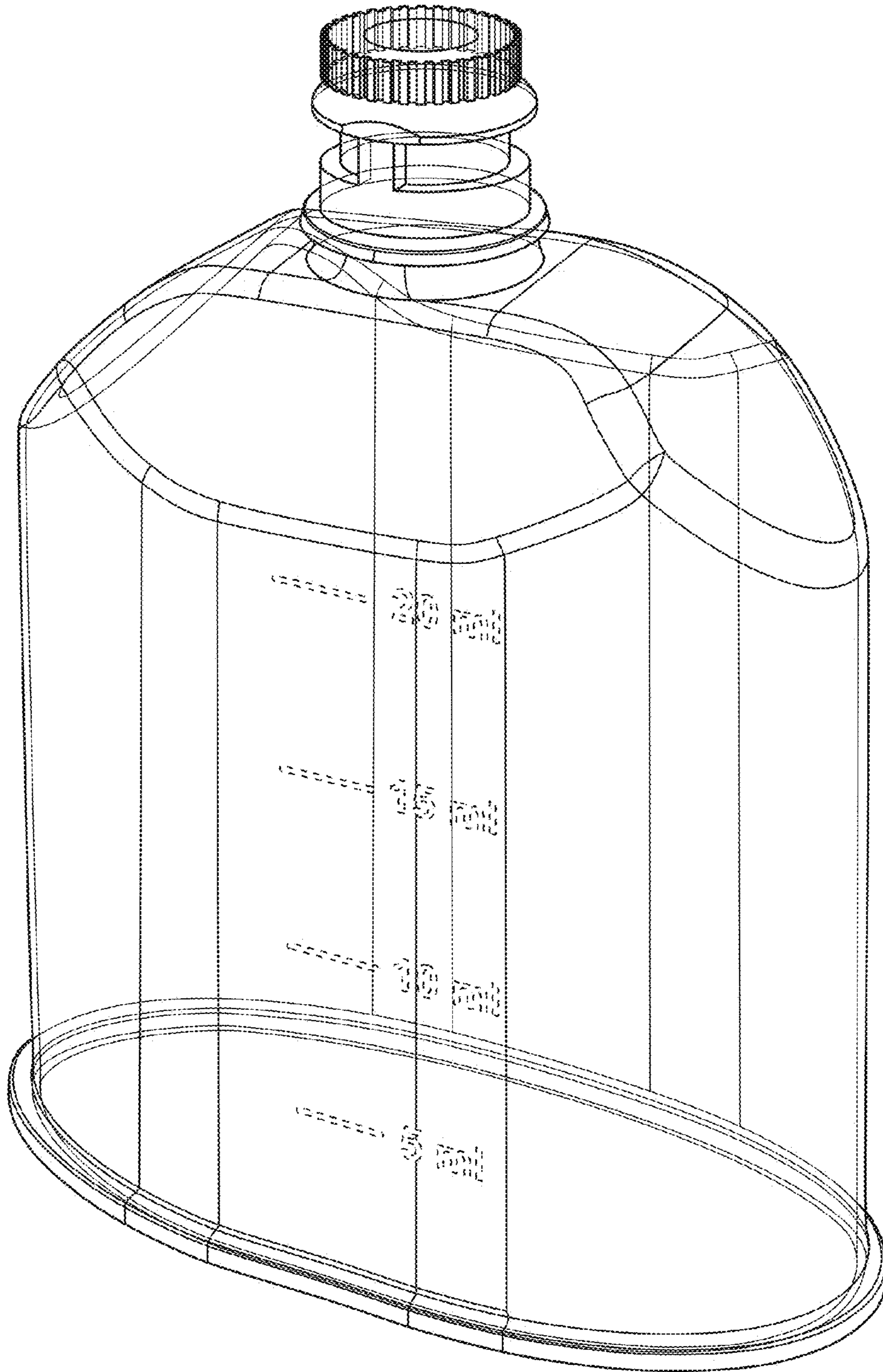


FIG. 1

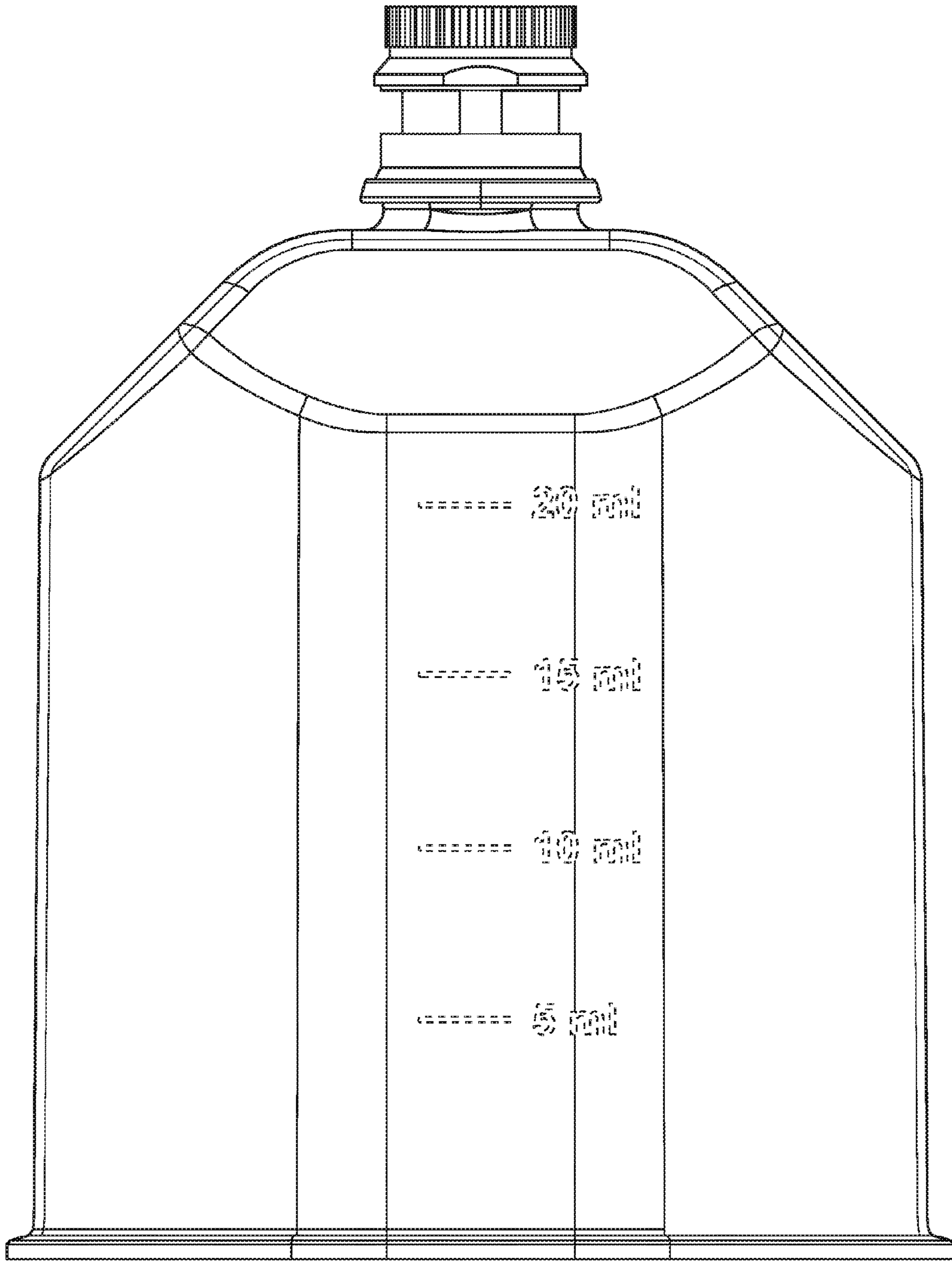


FIG. 2

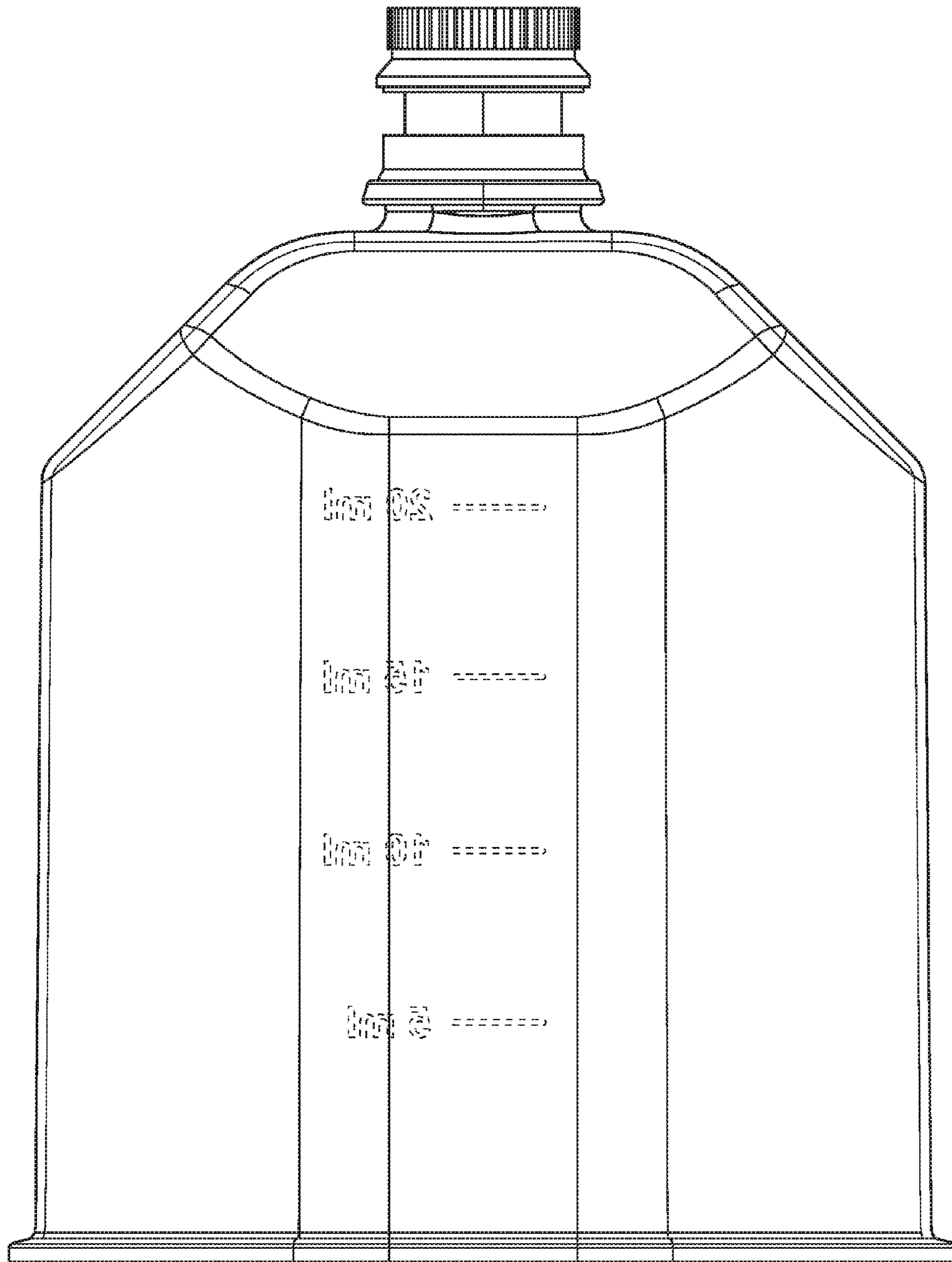


FIG. 3

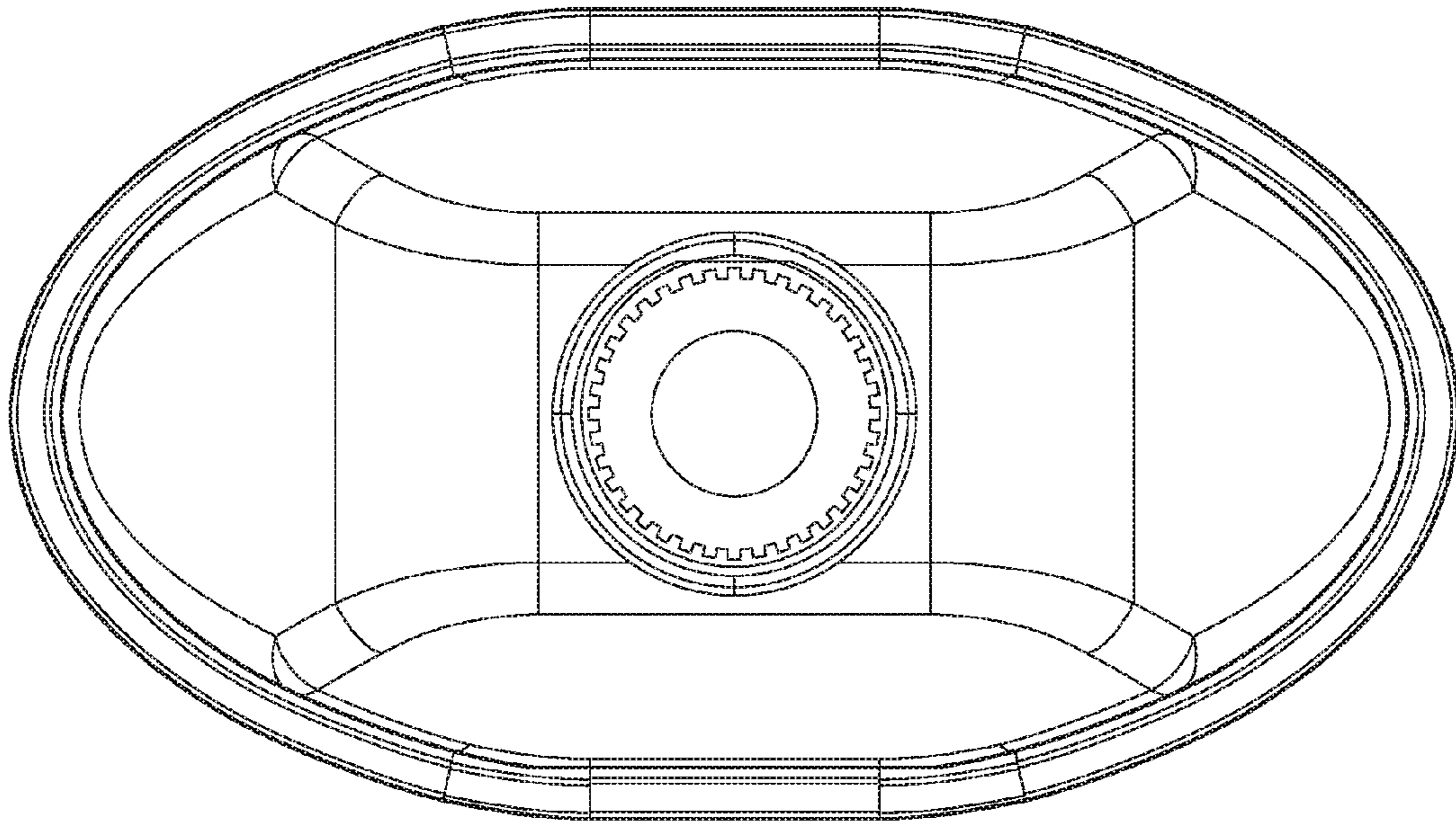


FIG. 4

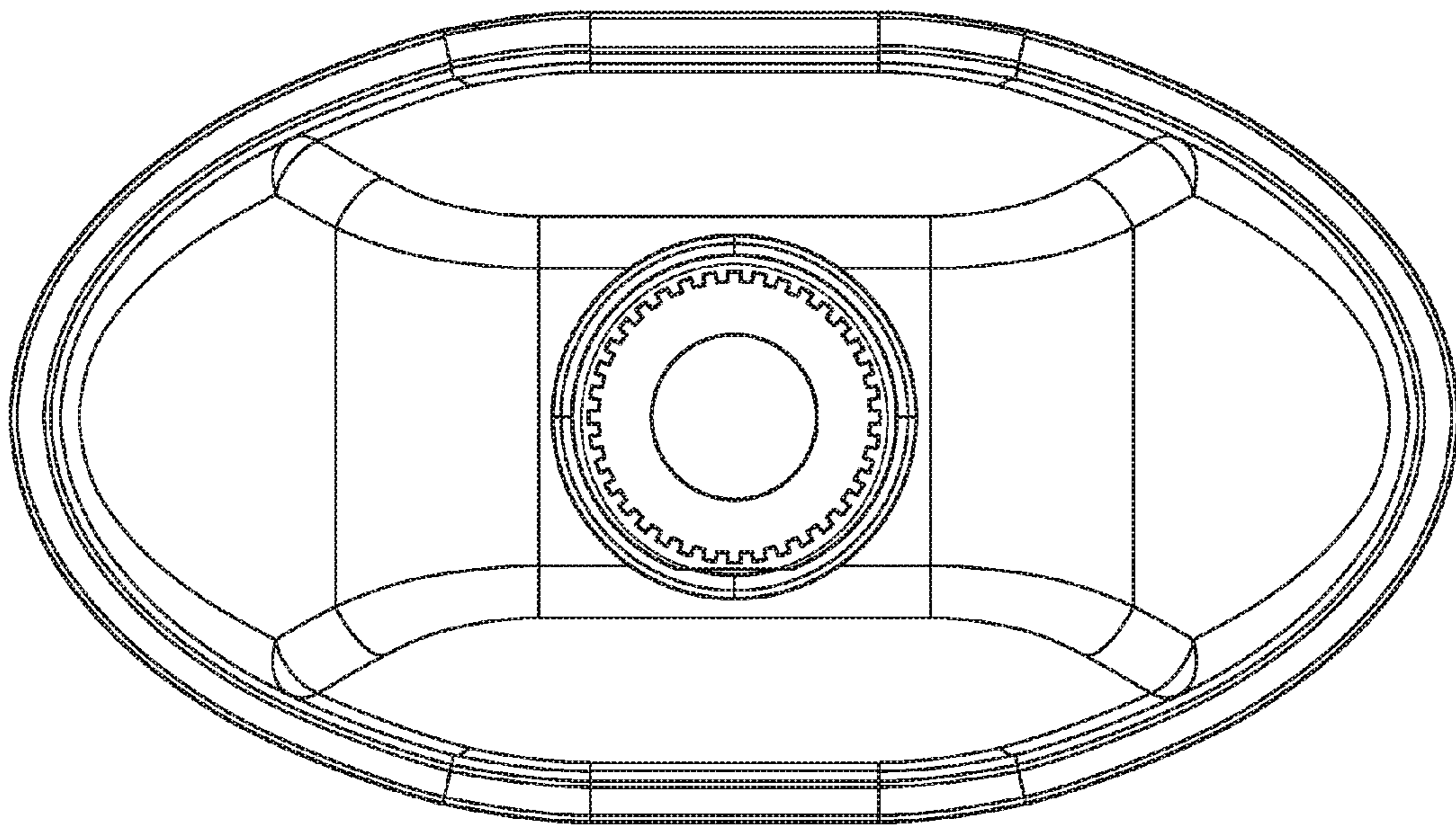


FIG. 5

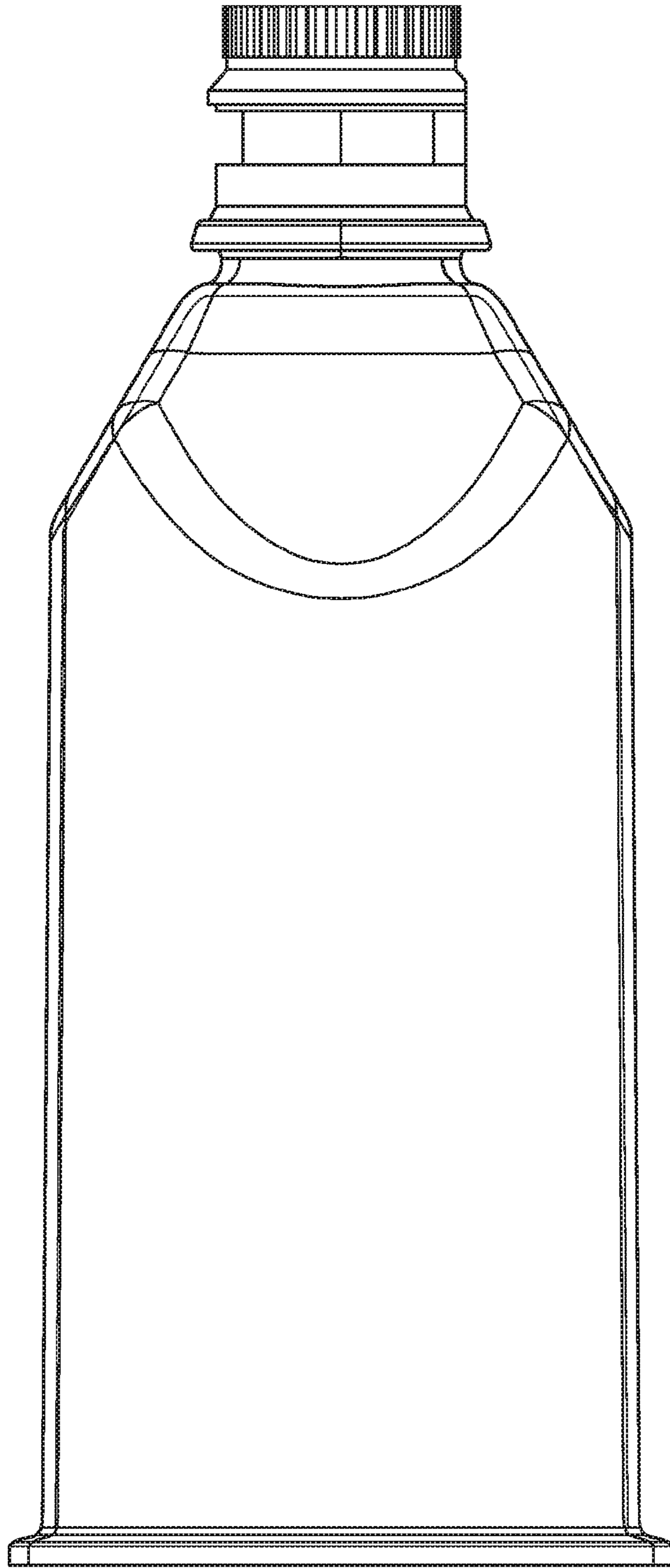


FIG. 6

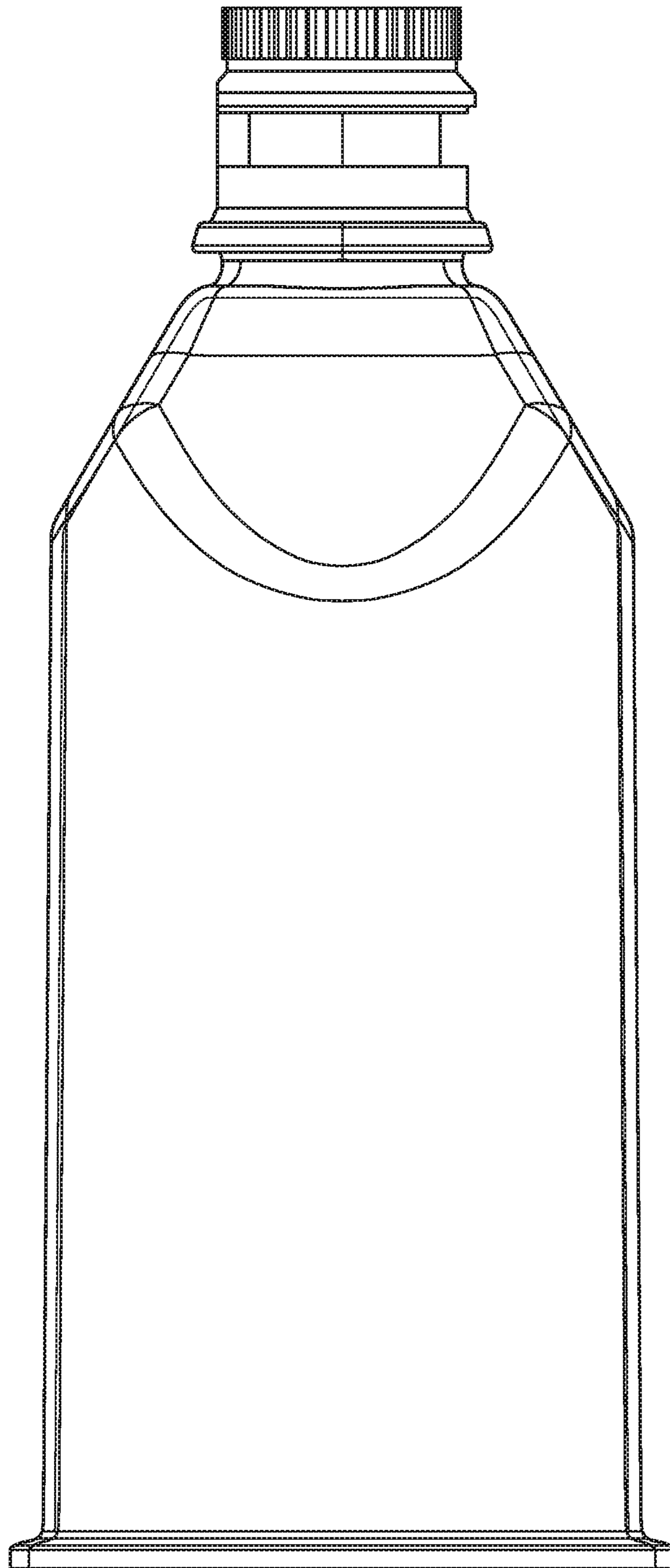


FIG. 7