



US00D757955S

(12) **United States Design Patent**  
**Johnson et al.**

(10) **Patent No.:** **US D757,955 S**  
(45) **Date of Patent:** **\*\* May 31, 2016**

(54) **THERAPEUTIC LIGHT SOURCE**  
(71) Applicant: **UVL Blood Labs, Inc.**, Santa Barbara, CA (US)  
(72) Inventors: **Scot Johnson**, Lutz, FL (US); **Michael Harter**, Tampa, FL (US)  
(73) Assignee: **UVLrx Therapeutics, Inc.**, Santa Barbara, CA (US)

D456,523 S \* 4/2002 Waluszko ..... D24/216  
D479,879 S \* 9/2003 Dickinson ..... D24/232  
D545,973 S \* 7/2007 Powell ..... D24/209  
7,547,391 B2 \* 6/2009 Petrie ..... A61L 2/0011  
210/198.1  
D603,971 S \* 11/2009 Gonzales ..... D24/200  
D611,160 S \* 3/2010 Fernie ..... D24/209  
D612,503 S \* 3/2010 Johnston ..... D24/186  
D672,470 S \* 12/2012 Rebholz ..... D24/232  
D728,776 S \* 5/2015 Rogers ..... D24/107  
2011/0144725 A1 \* 6/2011 Pryor ..... A61N 5/0601  
607/89

(\*\*) Term: **14 Years**

\* cited by examiner

(21) Appl. No.: **29/495,763**

*Primary Examiner* — Anhdao Doan

(22) Filed: **Jul. 3, 2014**

(74) *Attorney, Agent, or Firm* — Figh & Tsang LLP

(51) **LOC (10) Cl.** ..... **24-01**

(52) **U.S. Cl.**  
USPC ..... **D24/209**

(58) **Field of Classification Search**  
USPC ..... D24/107, 186, 158, 231, 200, 209, 210,  
D24/216, 232; D26/29, 37, 39, 93, 104;  
D28/9, 44.1  
CPC ..... A61N 5/0616; A61N 5/0624; A61N  
2005/0652; A61N 2005/0654; A61N  
2005/0642; A61N 2005/0644; A61N  
2005/0636; A61N 2005/0626; A61N  
2005/0627; A61B 2018/00452; A61B  
2018/1807

See application file for complete search history.

(56) **References Cited**

**U.S. PATENT DOCUMENTS**

D400,249 S \* 10/1998 Holubar ..... D24/107  
D424,199 S \* 5/2000 Wells ..... D24/158

(57) **CLAIM**

The ornamental design for a therapeutic light source, as shown and described.

**DESCRIPTION**

FIG. 1 is a top, front, left side perspective view of a therapeutic light source.

FIG. 2 is a front elevation view thereof.

FIG. 3 is a rear elevation view thereof.

FIG. 4 is a left side elevation top thereof.

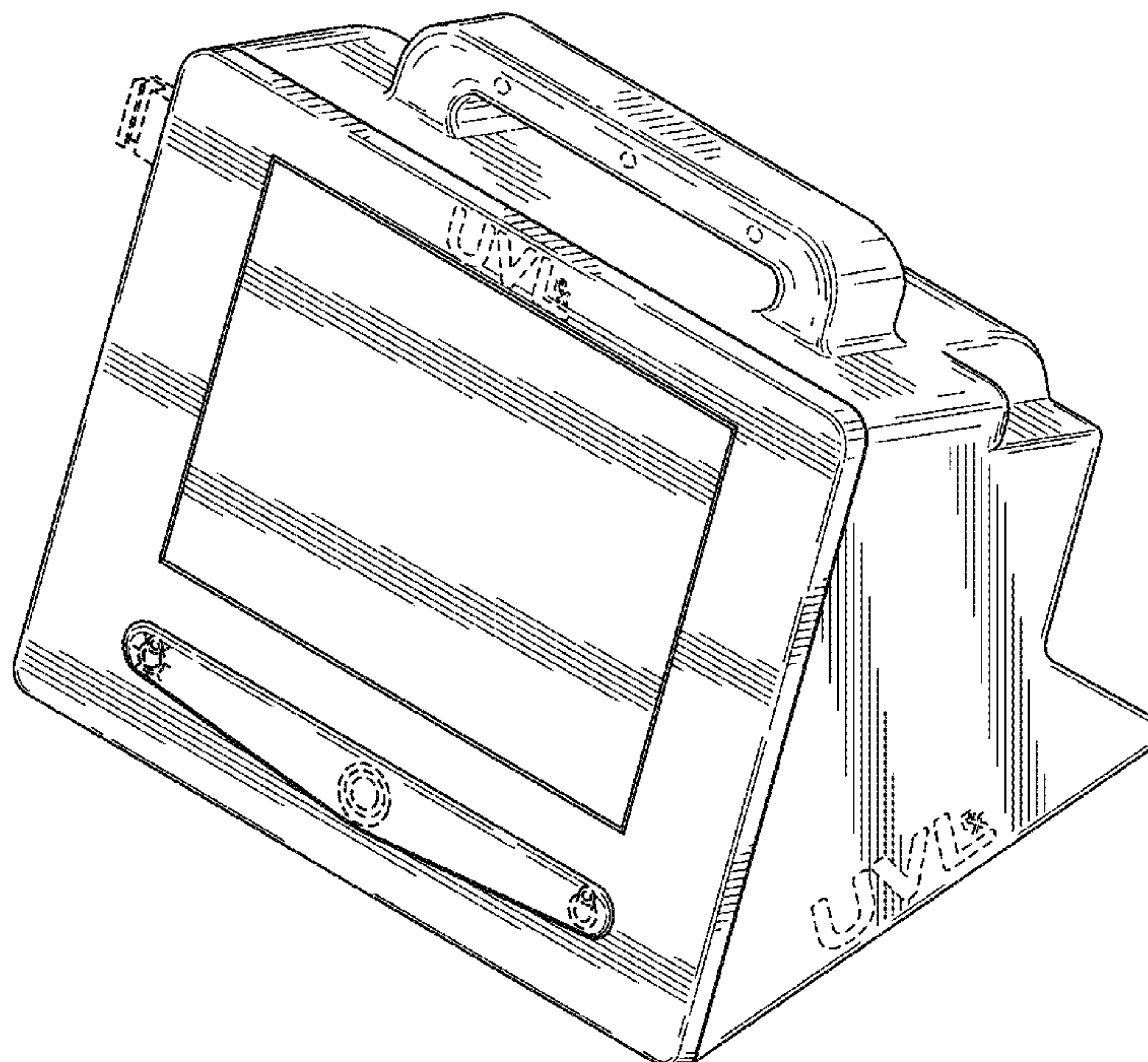
FIG. 5 is a right side elevation view thereof.

FIG. 6 is a top plan view thereof; and,

FIG. 7 is a bottom plan view thereof.

The broken lines in the drawing views are included for the purpose of illustrating portions of the therapeutic light source that form no part of the claimed design.

**1 Claim, 7 Drawing Sheets**



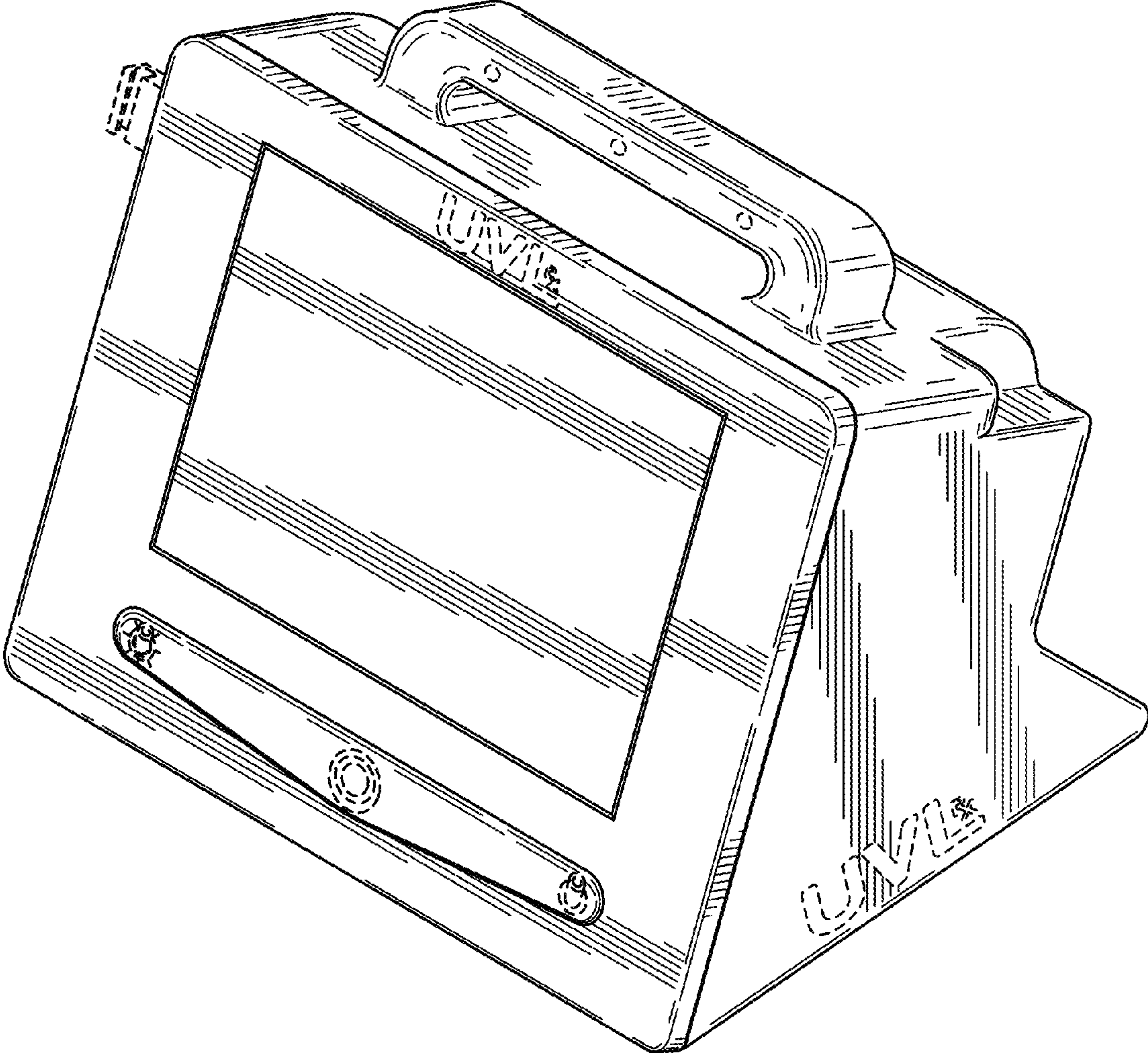


FIG. 1

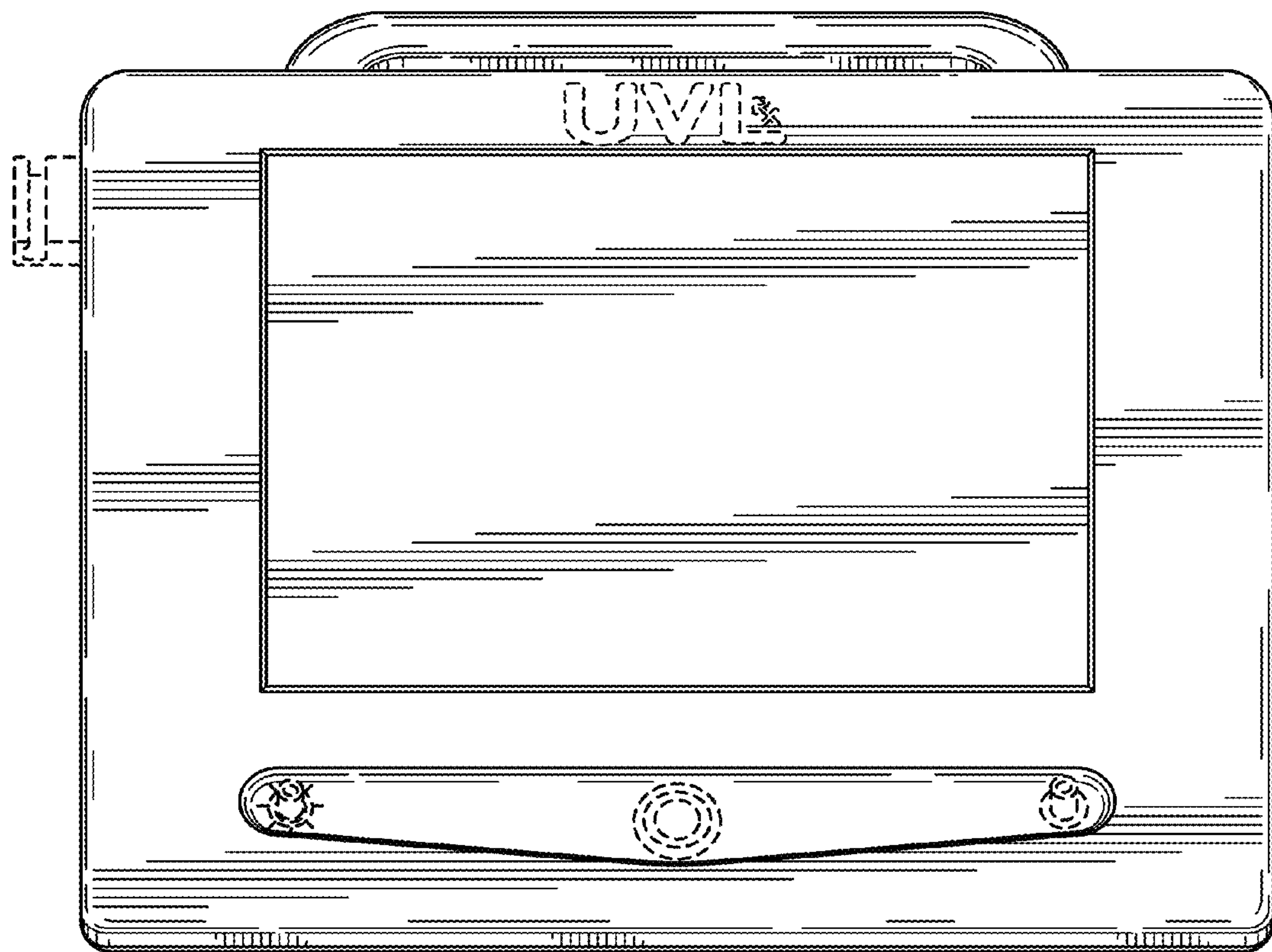


FIG. 2



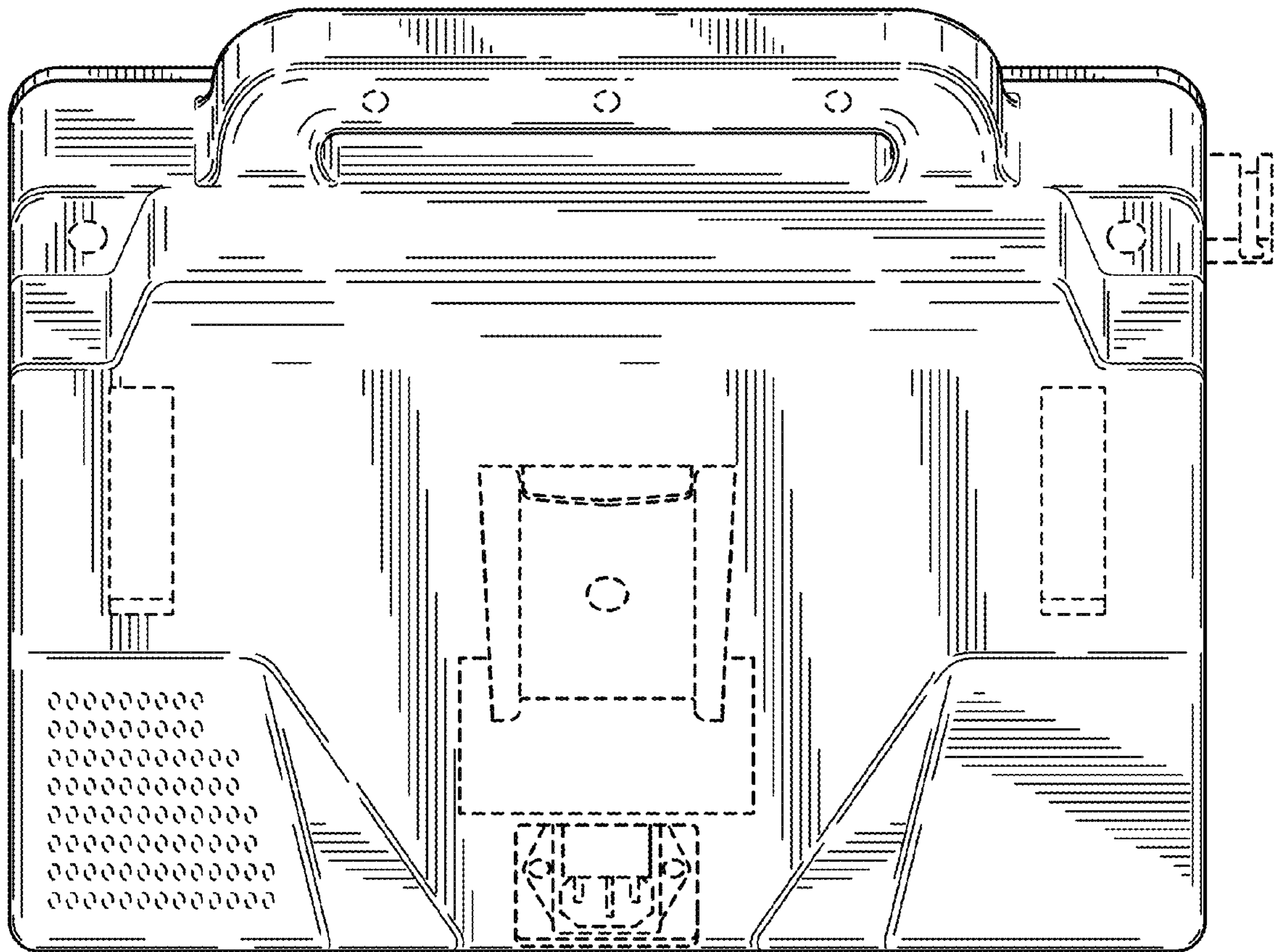
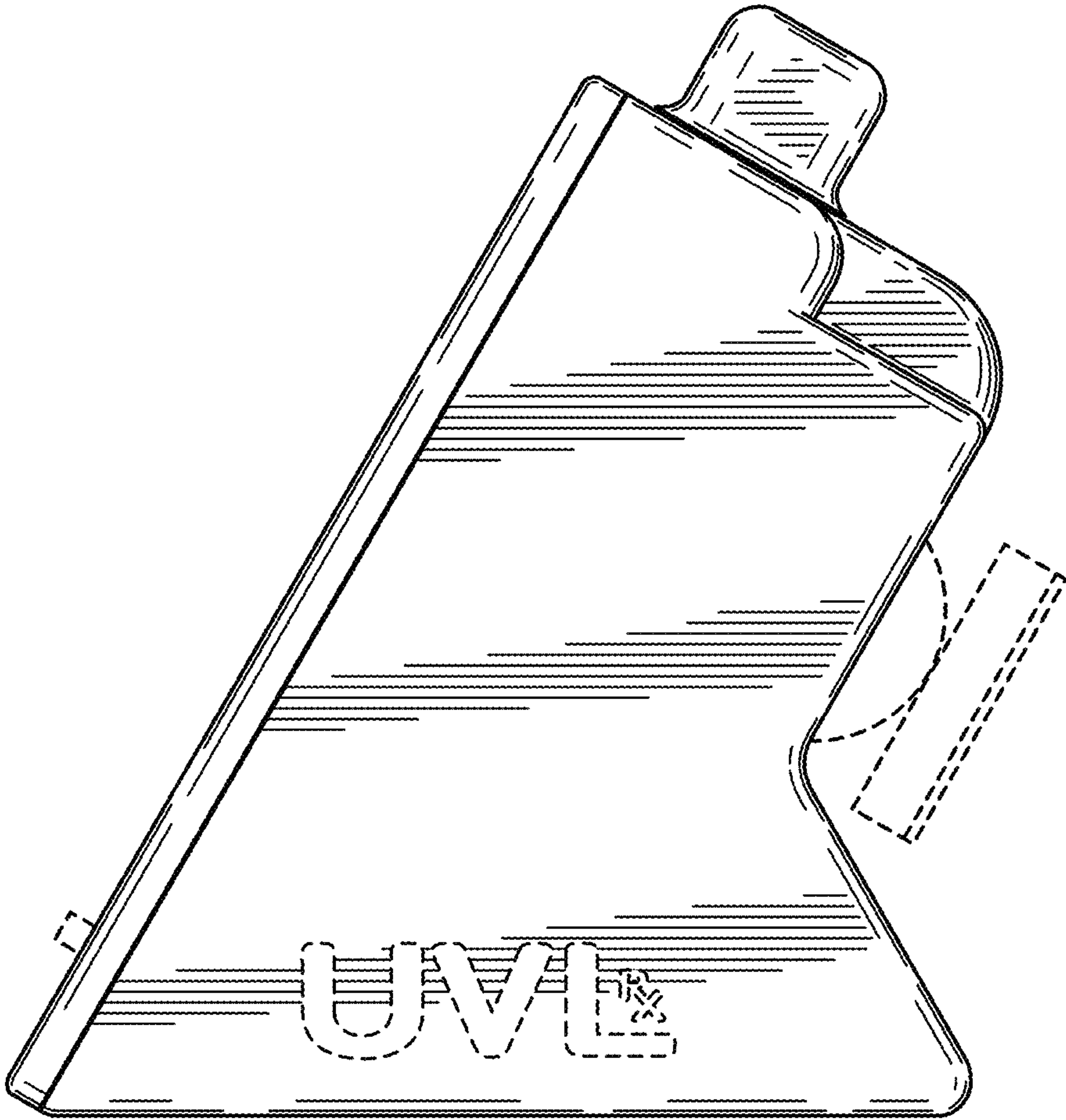
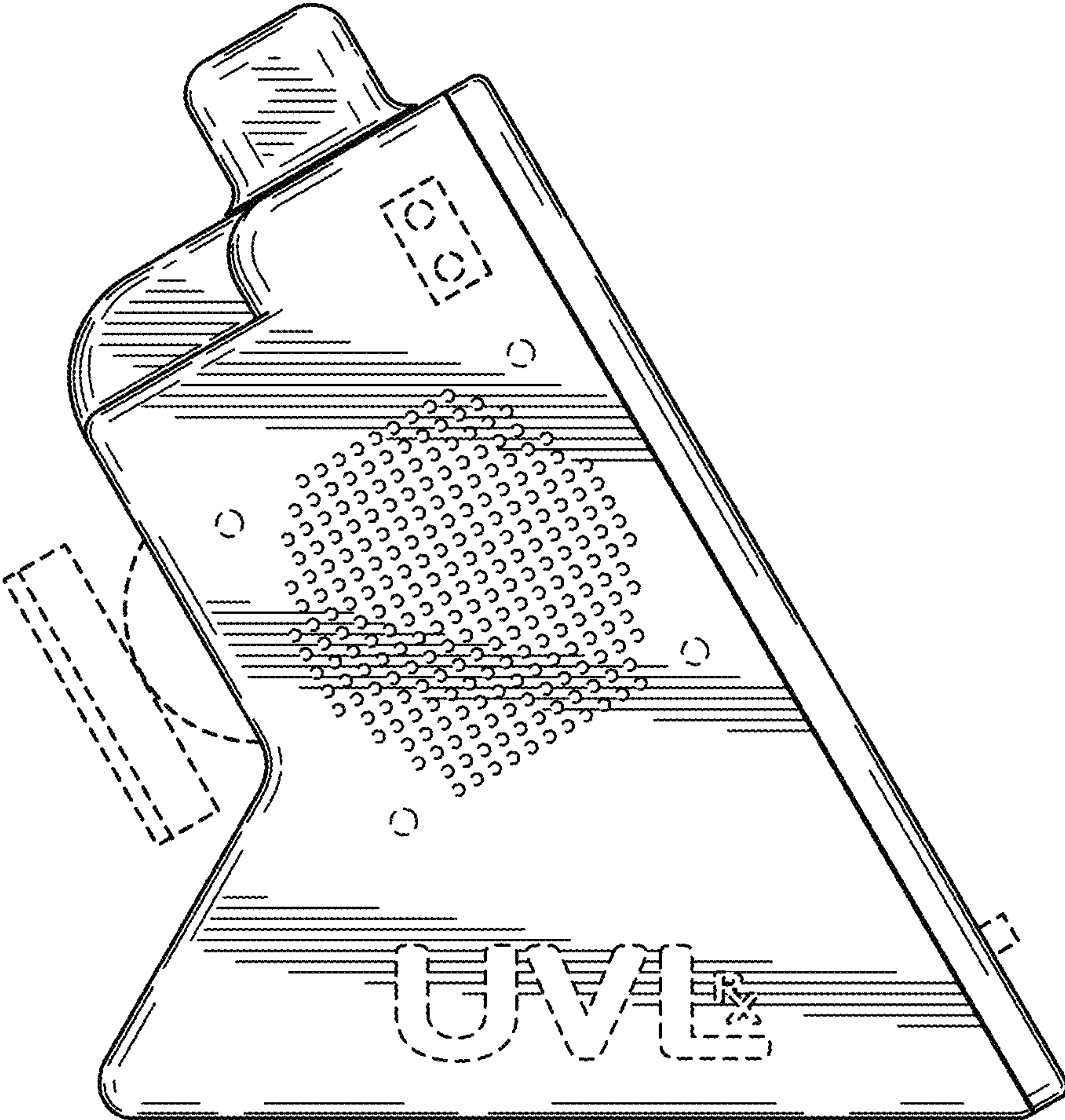


FIG. 3



**FIG. 4**



**FIG. 5**

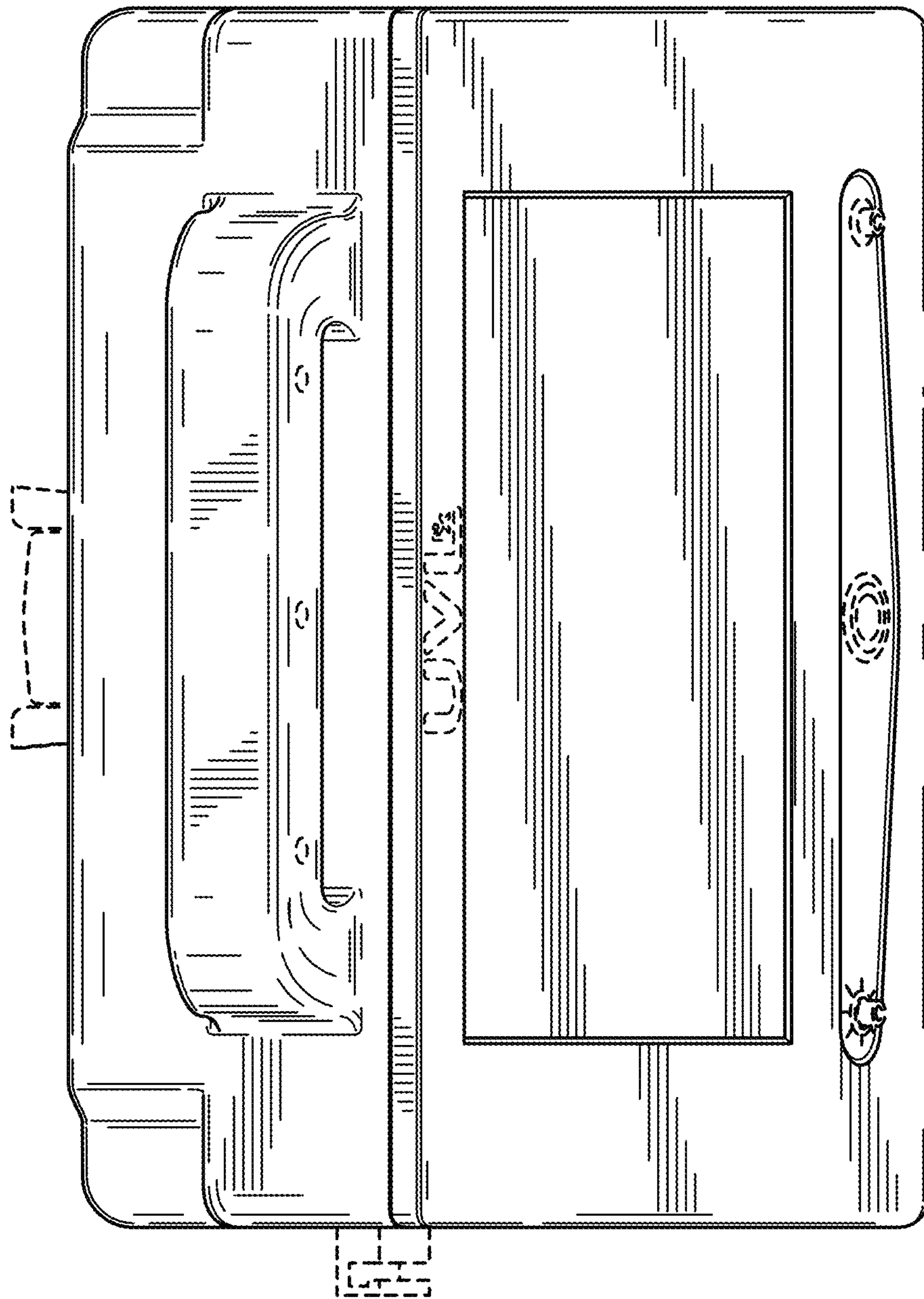


FIG. 6



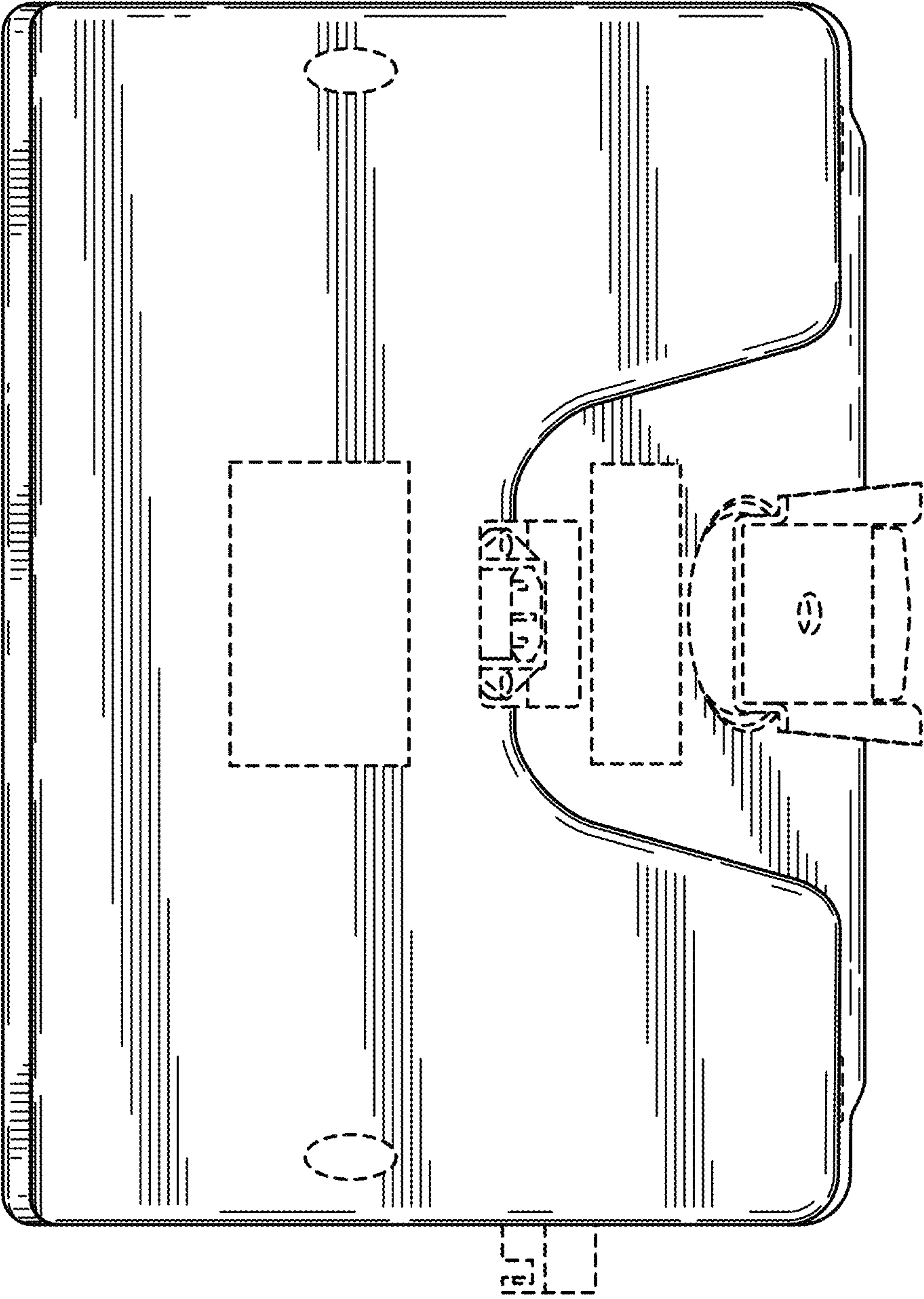


FIG. 7