



US00D757950S

(12) **United States Design Patent**  
**Karlsson et al.**

(10) **Patent No.:** **US D757,950 S**  
(45) **Date of Patent:** **\*\* May 31, 2016**

(54) **WOUND PAD**

- (71) Applicant: **MÖLNLYCKE HEALTH CARE AB**, Göteborg (SE)
- (72) Inventors: **Emma Karlsson**, Göteborg (SE); **Malin Holmén**, Göteborg (SE); **Ulf Johannison**, Landvetter (SE); **Bengt Netsner**, Lindome (SE); **Christian Wathne**, Mölnlycke (SE); **Sandra Josefsson**, Kungsbacka (SE)
- (73) Assignee: **MÖLNLYCKE HEALTH CARE AB**, Göteborg (SE)
- (\*\*) Term: **15 Years**
- (21) Appl. No.: **29/536,906**
- (22) Filed: **Aug. 20, 2015**

**Related U.S. Application Data**

- (62) Division of application No. 29/461,189, filed on Jul. 19, 2013, now Pat. No. Des. 746,996.

**Foreign Application Priority Data**

- (30) Jan. 30, 2013 (EM) ..... 002174797-0001
- Jan. 30, 2013 (EM) ..... 002174797-0002
- Jan. 30, 2013 (EM) ..... 002174797-0003
- Jan. 30, 2013 (EM) ..... 002174797-0004
- Jan. 30, 2013 (EM) ..... 002174797-0005
- Jan. 30, 2013 (EM) ..... 002174797-0006
- Jan. 30, 2013 (EM) ..... 002174797-0007
- Jan. 30, 2013 (EM) ..... 002174797-0008
- Jan. 30, 2013 (EM) ..... 002174797-0009
- Jan. 30, 2013 (EM) ..... 002174797-0010
- Jan. 30, 2013 (EM) ..... 002174797-0011
- Jan. 30, 2013 (EM) ..... 002174797-0012

- (51) **LOC (10) Cl.** ..... **24-04**
- (52) **U.S. Cl.**  
USPC ..... **D24/189**
- (58) **Field of Classification Search**  
USPC ..... D9/432, 433; D10/50; D24/124, 126,  
D24/189, 200, 206; D28/59; 206/441;  
602/42, 54, 57, 58  
CPC ..... A61L 15/425  
See application file for complete search history.

(56) **References Cited**

U.S. PATENT DOCUMENTS

- 2,233,209 A 2/1941 Herzog
- 3,655,456 A \* 4/1972 Hamel ..... H01M 2/20  
429/153

(Continued)

FOREIGN PATENT DOCUMENTS

- WO WO-2006/025934 A1 3/2006

OTHER PUBLICATIONS

U.S. Appl. No. 29/461,189, filed Jul. 19, 2013, E. Karlsson, et al.

*Primary Examiner* — Robert M Spear

*Assistant Examiner* — Darcey E Heflin

(74) *Attorney, Agent, or Firm* — Ballard Spahr LLP

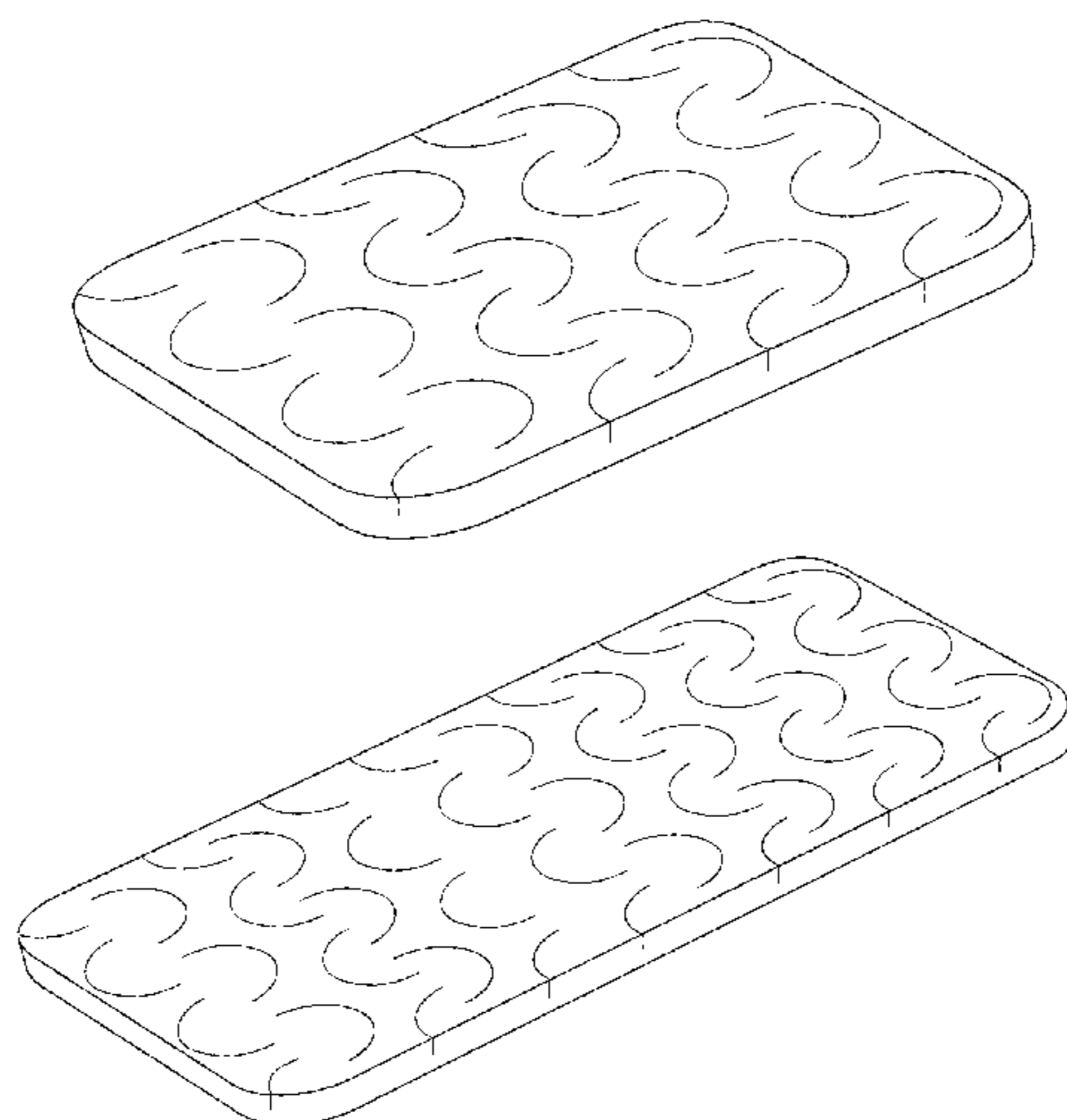
(57) **CLAIM**

The ornamental design for a wound pad, as shown and described.

**DESCRIPTION**

FIG. 1 is a perspective view of a wound pad showing our new design;  
 FIG. 2 is a perspective view thereof;  
 FIG. 3 is a perspective view of a second embodiment of a wound pad showing our new design;  
 FIG. 4 is a perspective view thereof;  
 FIG. 5 is a perspective view of a third embodiment of a wound pad showing our new design;  
 FIG. 6 is a perspective view thereof;  
 FIG. 7 is a perspective view of a fourth embodiment of a wound pad showing our new design;  
 FIG. 8 is a perspective view thereof;  
 FIG. 9 is a perspective view of a fifth embodiment of a wound pad showing our new design;  
 FIG. 10 is a perspective view thereof;  
 FIG. 11 is a perspective view of a sixth embodiment of a wound pad showing our new design; and,  
 FIG. 12 is a perspective view thereof.

**1 Claim, 12 Drawing Sheets**



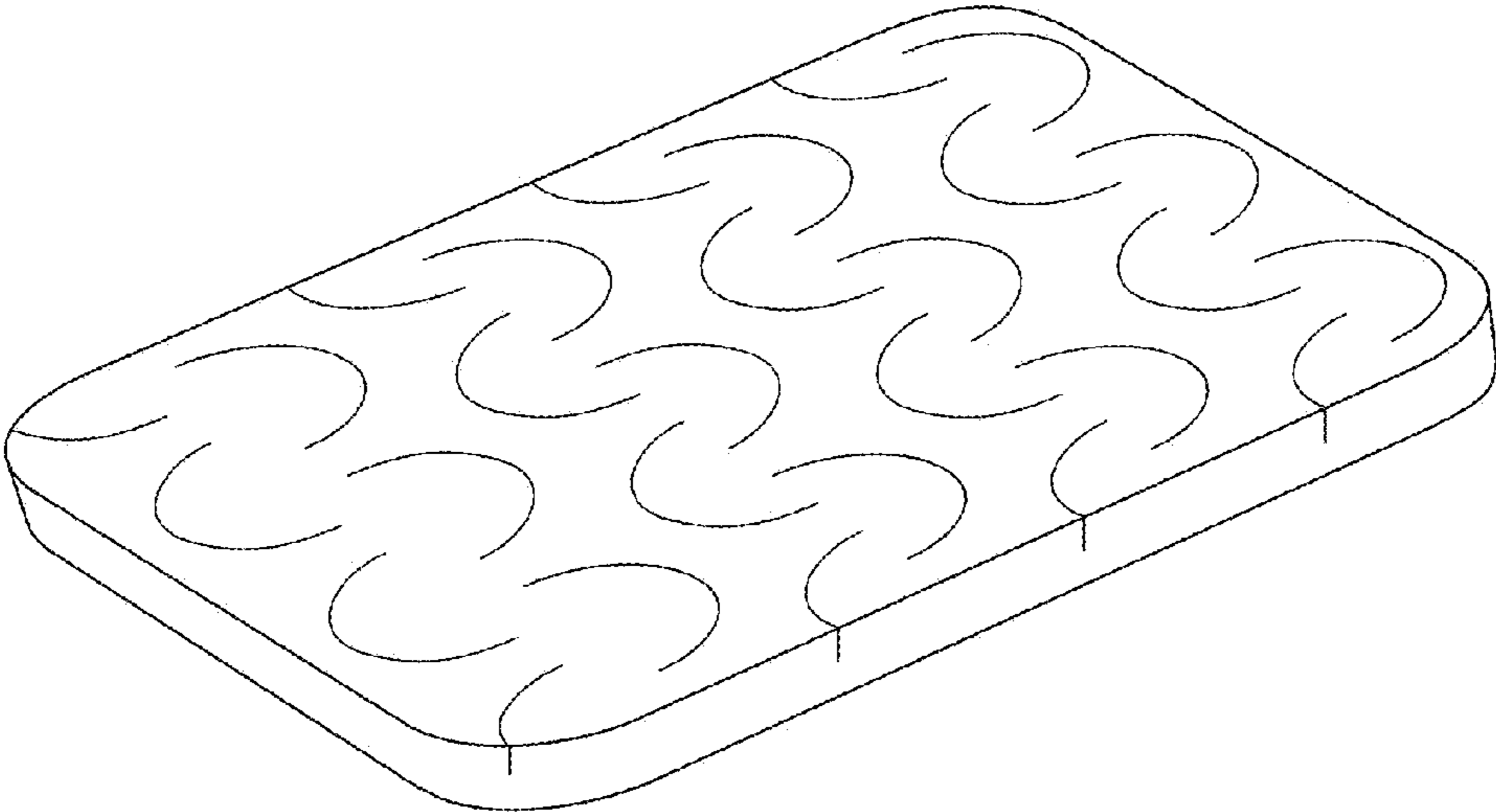
(56)

References Cited

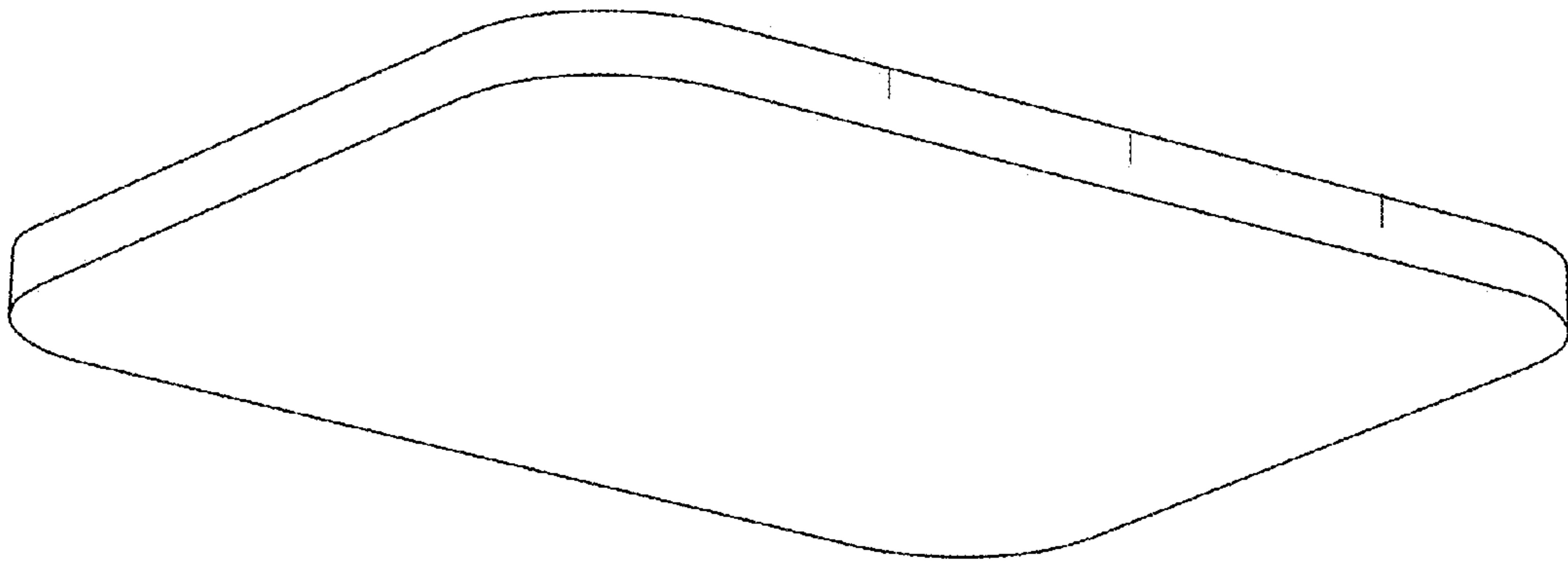
U.S. PATENT DOCUMENTS

3,687,136 A	8/1972	Carmody		D618,810 S	6/2010	Tanigawa et al.
4,053,053 A	10/1977	Tumangday		D646,789 S	10/2011	Barth
D267,510 S	1/1983	Golub		D668,332 S	10/2012	Hough et al.
5,415,626 A	5/1995	Goodman et al.		D676,768 S	2/2013	Eyring et al.
5,429,588 A *	7/1995	Young .....	A61F 5/0127 36/28	D679,819 S	4/2013	Peron
D387,169 S	12/1997	Dunshee et al.		D682,420 S	5/2013	Abram et al.
5,762,620 A	6/1998	Cartmell et al.		D693,011 S	11/2013	Mori et al.
D402,371 S	12/1998	Haynes et al.		D693,012 S	11/2013	Inoo et al.
D402,571 S	12/1998	Pasquarette et al.		D707,829 S	6/2014	Chan et al.
D404,136 S *	1/1999	Dunshee .....	D24/189	D713,048 S	9/2014	Ogaki et al.
5,877,905 A *	3/1999	Schwartz .....	G02B 7/183 248/466	D713,534 S	9/2014	Manley, Jr.
D413,389 S	8/1999	Owen, Jr.		D721,181 S *	1/2015	Schiebl .....
D424,699 S	5/2000	Allen		9,035,122 B2 *	5/2015	Richard .....
D445,897 S	7/2001	Oberstadt				D24/189 A61F 3/00029 602/42
6,384,295 B2	5/2002	Wehde		D737,986 S *	9/2015	Arbesman .....
D472,312 S *	3/2003	Edens .....	D24/124	D741,498 S *	10/2015	Kawahara .....
D477,086 S	7/2003	Tsuruda et al.		2002/0153992 A1 *	10/2002	Kobayashi .....
D515,701 S	2/2006	Horhota et al.				H01C 7/027 338/22 R
D544,649 S	6/2007	Kennedy		2007/0016123 A1	1/2007	Jensen
D545,441 S	6/2007	Miyachika et al.		2008/0027365 A1	1/2008	Huey
D545,498 S	6/2007	Kennedy		2009/0204048 A1	8/2009	Spector
D561,614 S	2/2008	Rosen		2009/0211693 A1 *	8/2009	Zawadzki .....
7,396,975 B2	7/2008	Sigurjonsson et al.				B26D 7/18 156/73.3
D574,962 S	8/2008	Atkins et al.		2011/0092874 A1	4/2011	Baschnagel
D590,941 S	4/2009	Noel et al.		2012/0095380 A1 *	4/2012	Gergely .....
D616,294 S *	5/2010	Britt .....	D9/414			A61F 13/022 602/45
				2012/0136328 A1 *	5/2012	Johannison .....
						A61F 13/00 604/369
				2012/0253255 A1 *	10/2012	Tsuruta .....
						A61F 13/0008 602/54
				2013/0256171 A1	10/2013	Kerdemelidis et al.

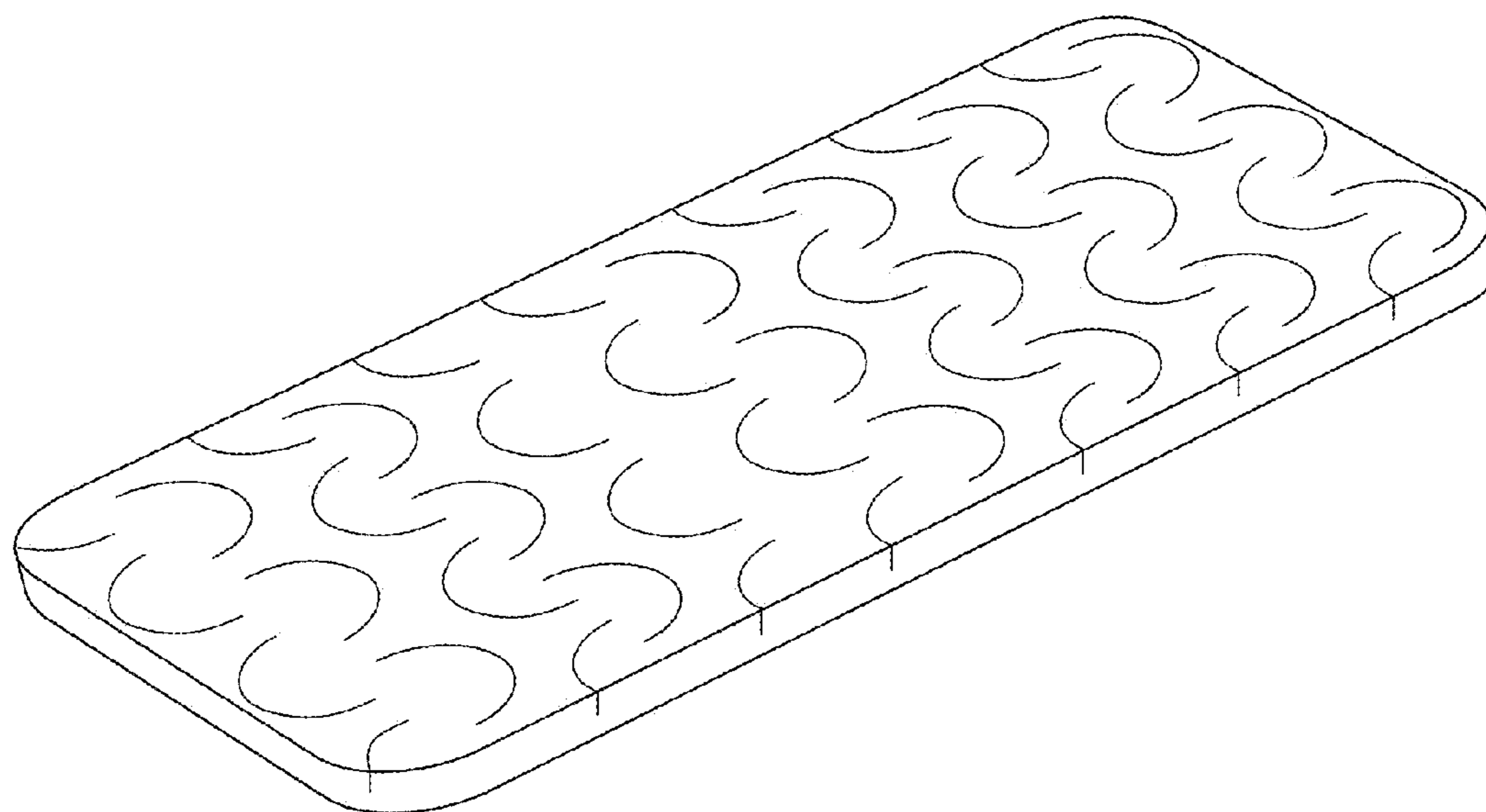
\* cited by examiner



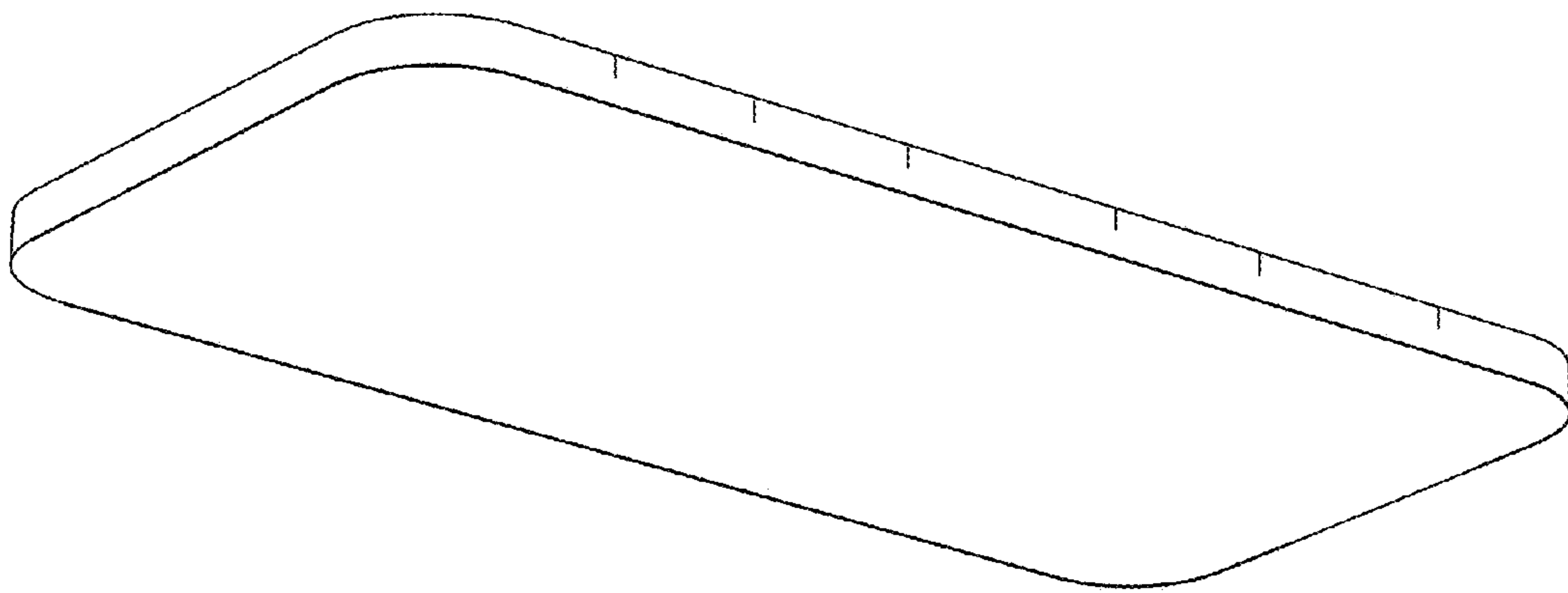
**FIGURE 1**



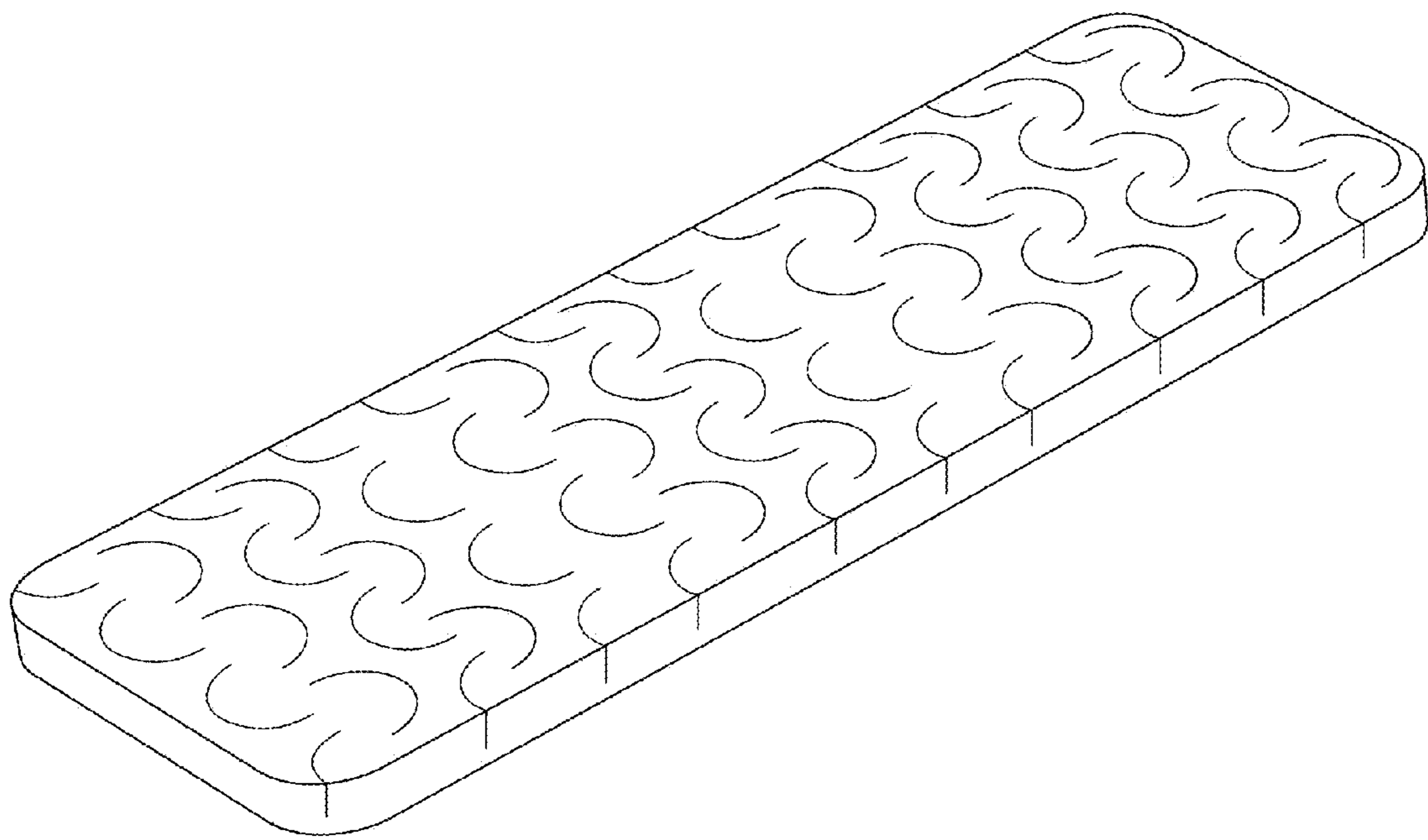
**FIGURE 2**



**FIGURE 3**



**FIGURE 4**



**FIGURE 5**

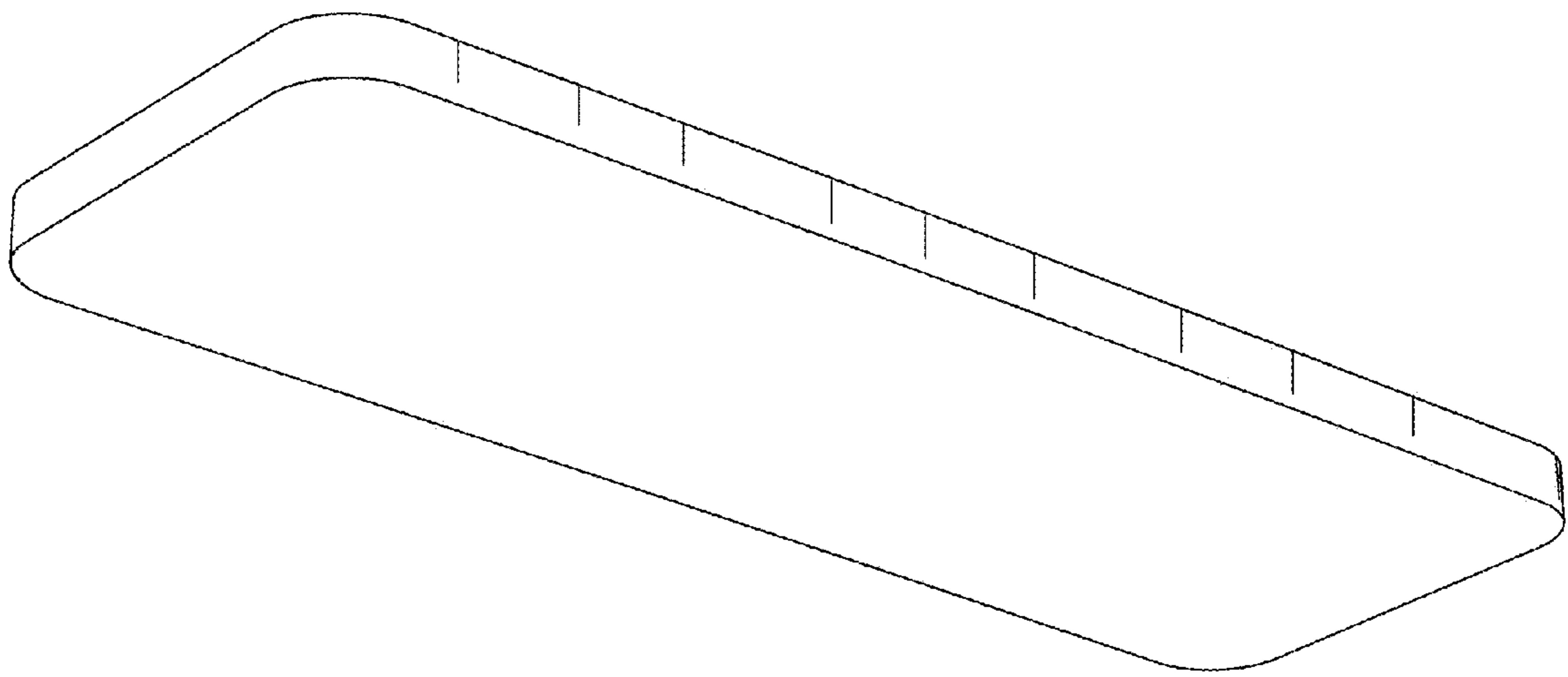
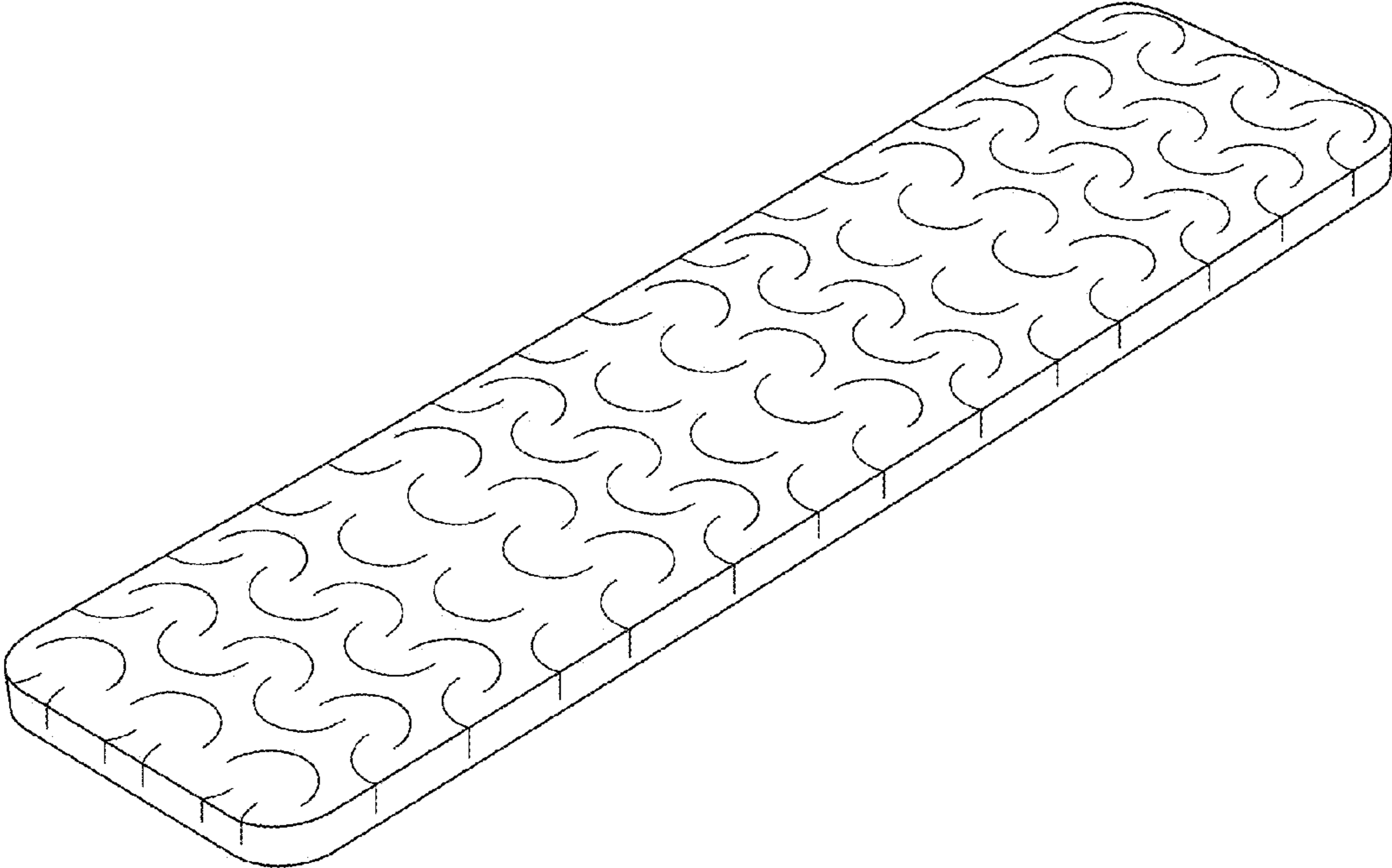
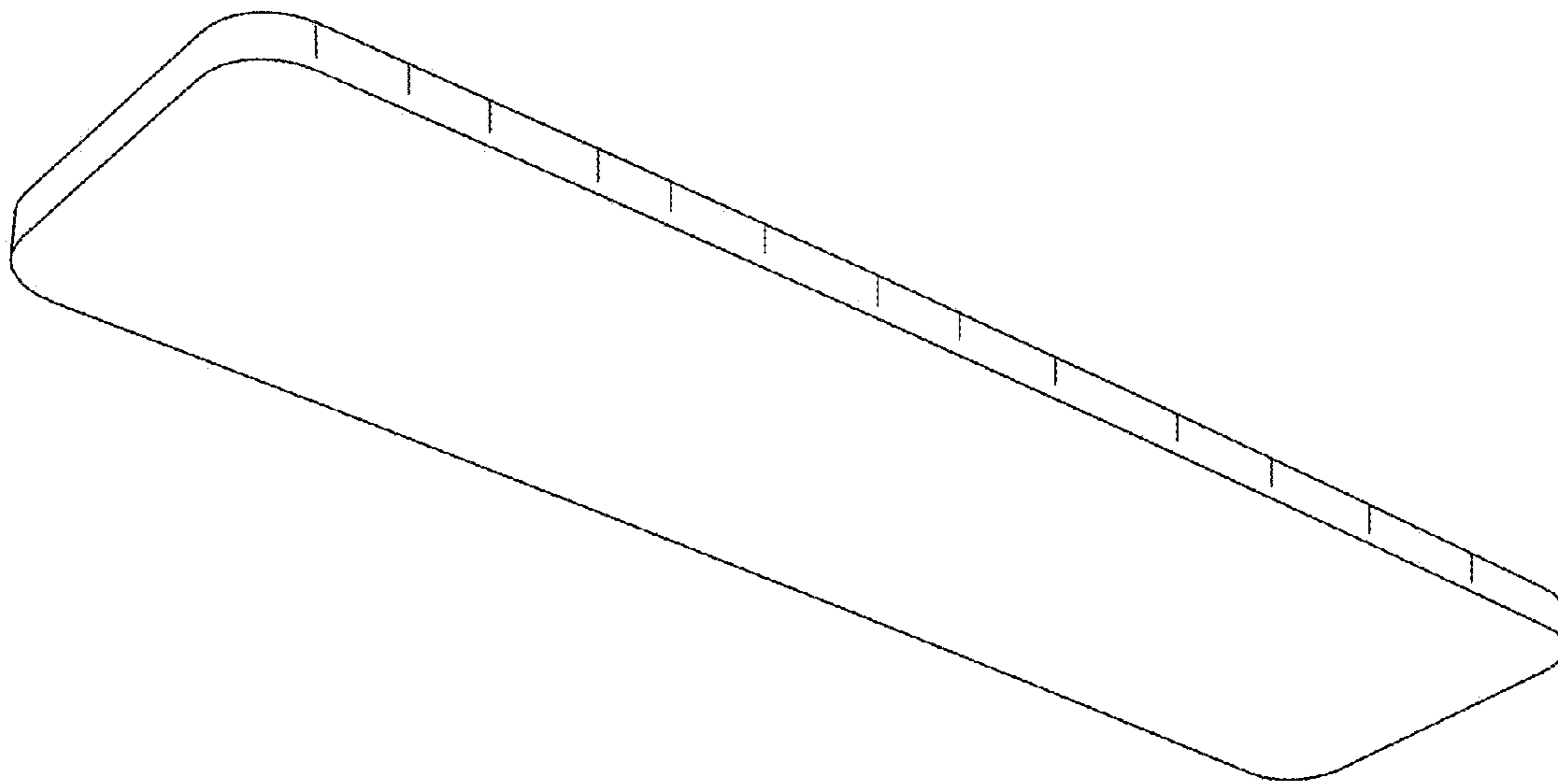


FIGURE 6

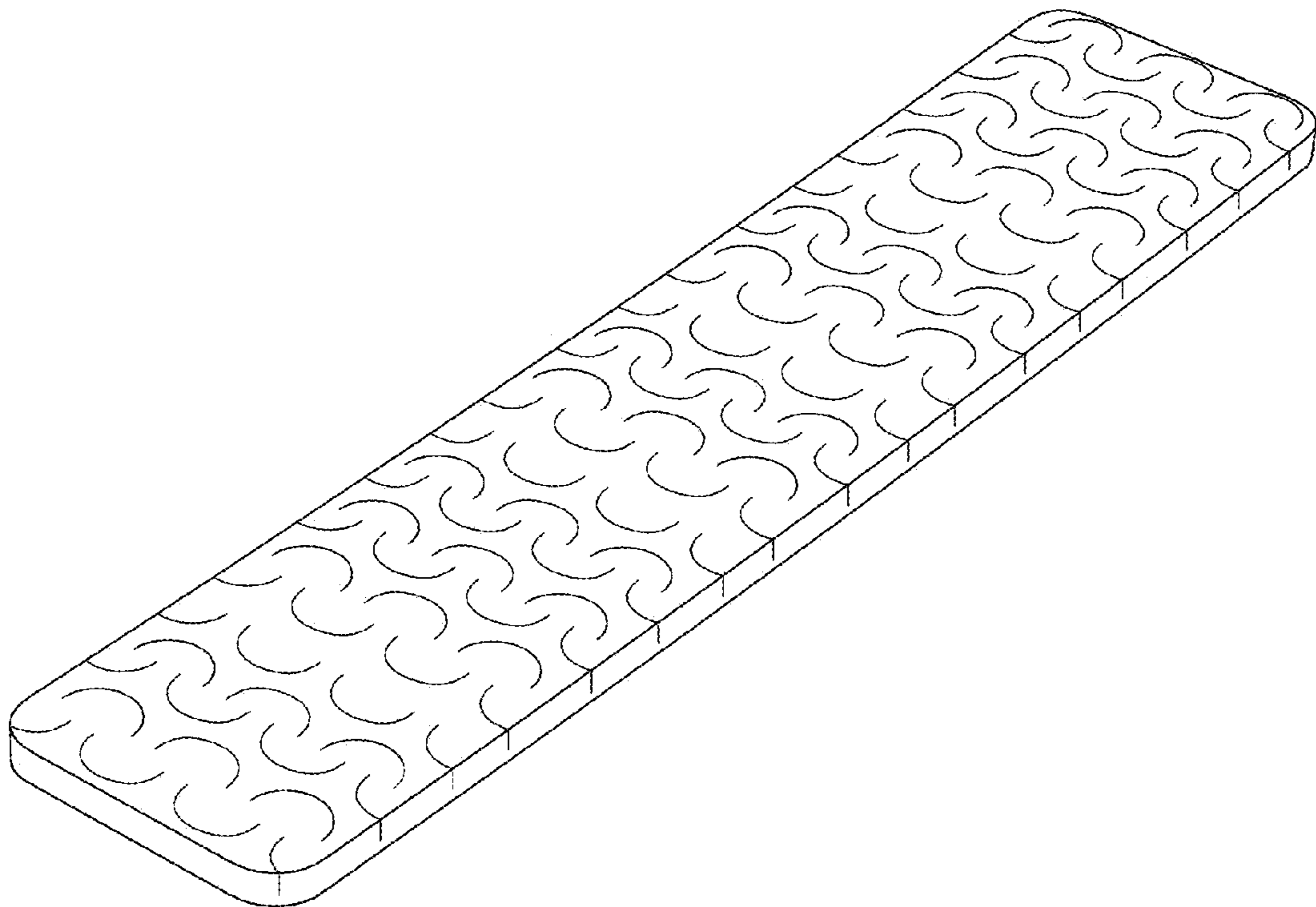




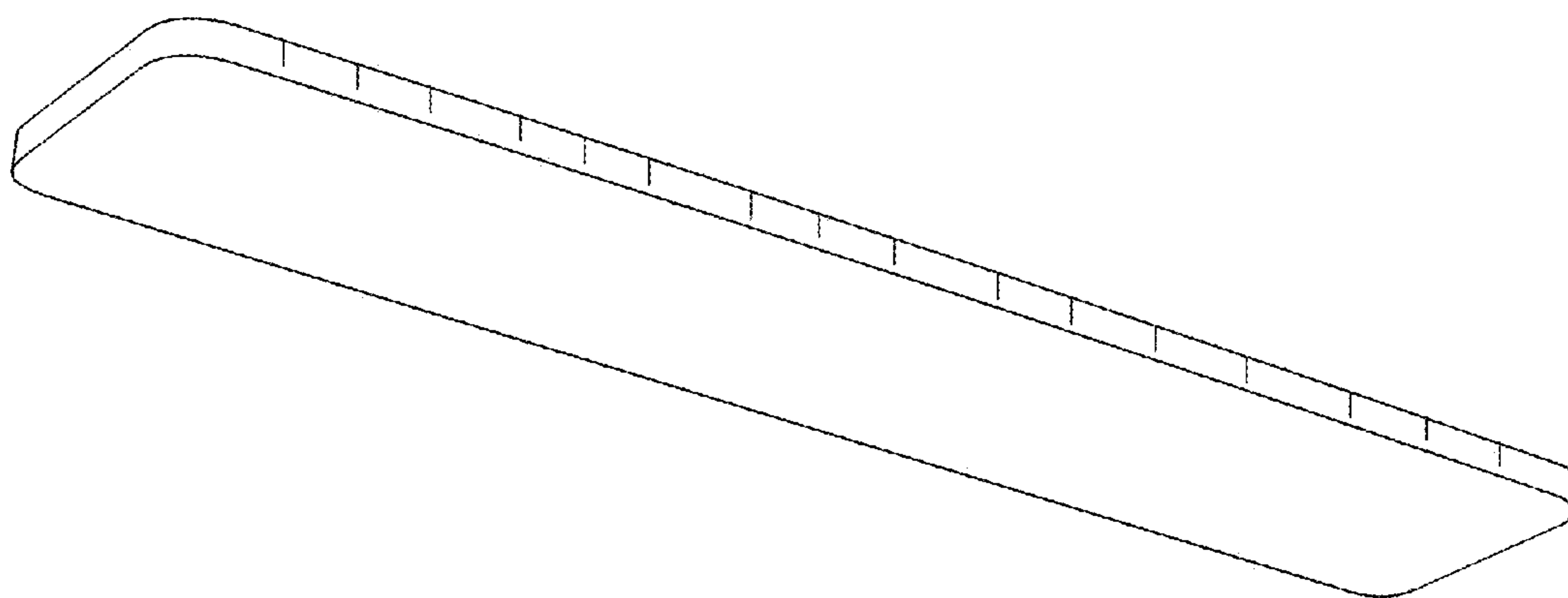
**FIGURE 7**



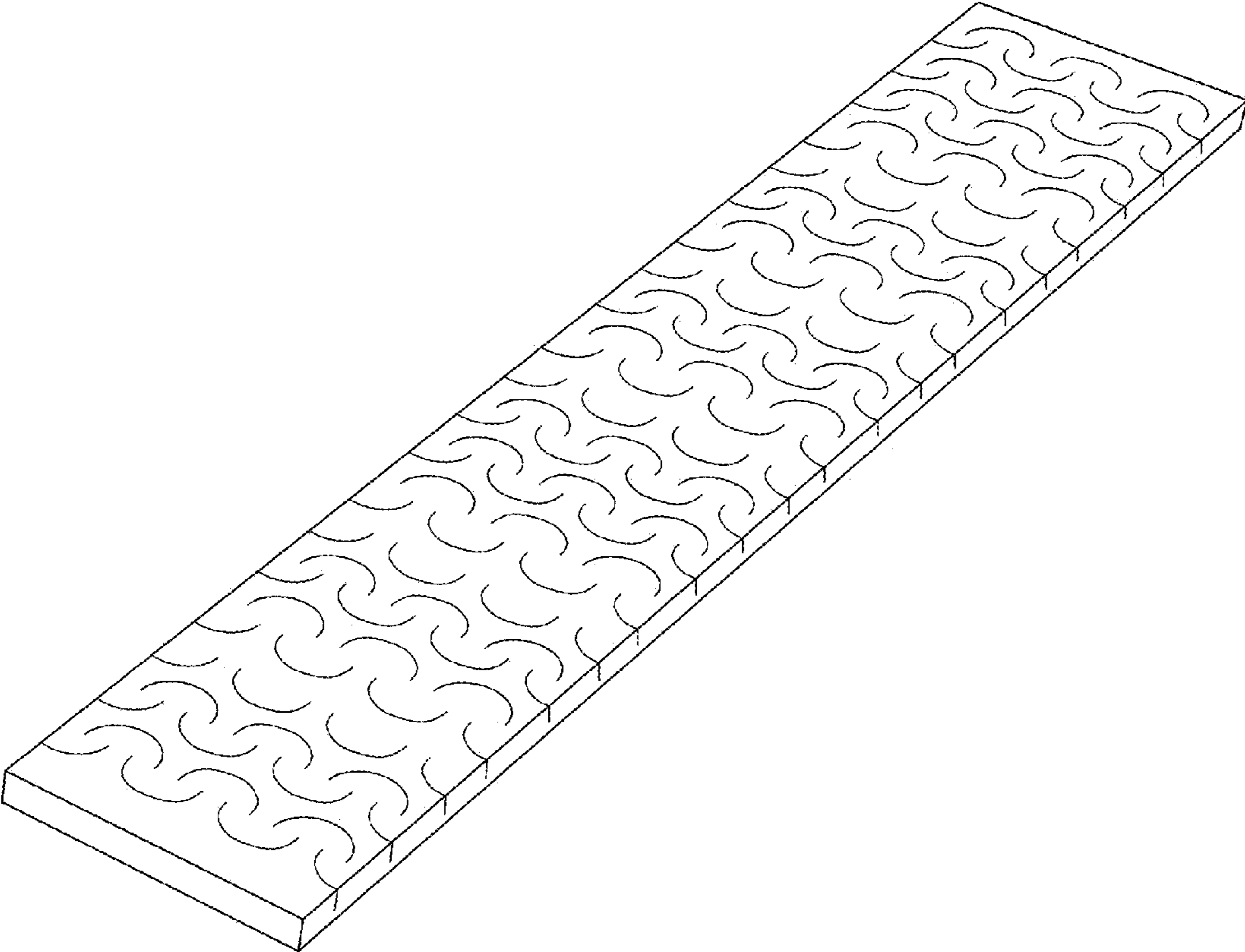
**FIGURE 8**



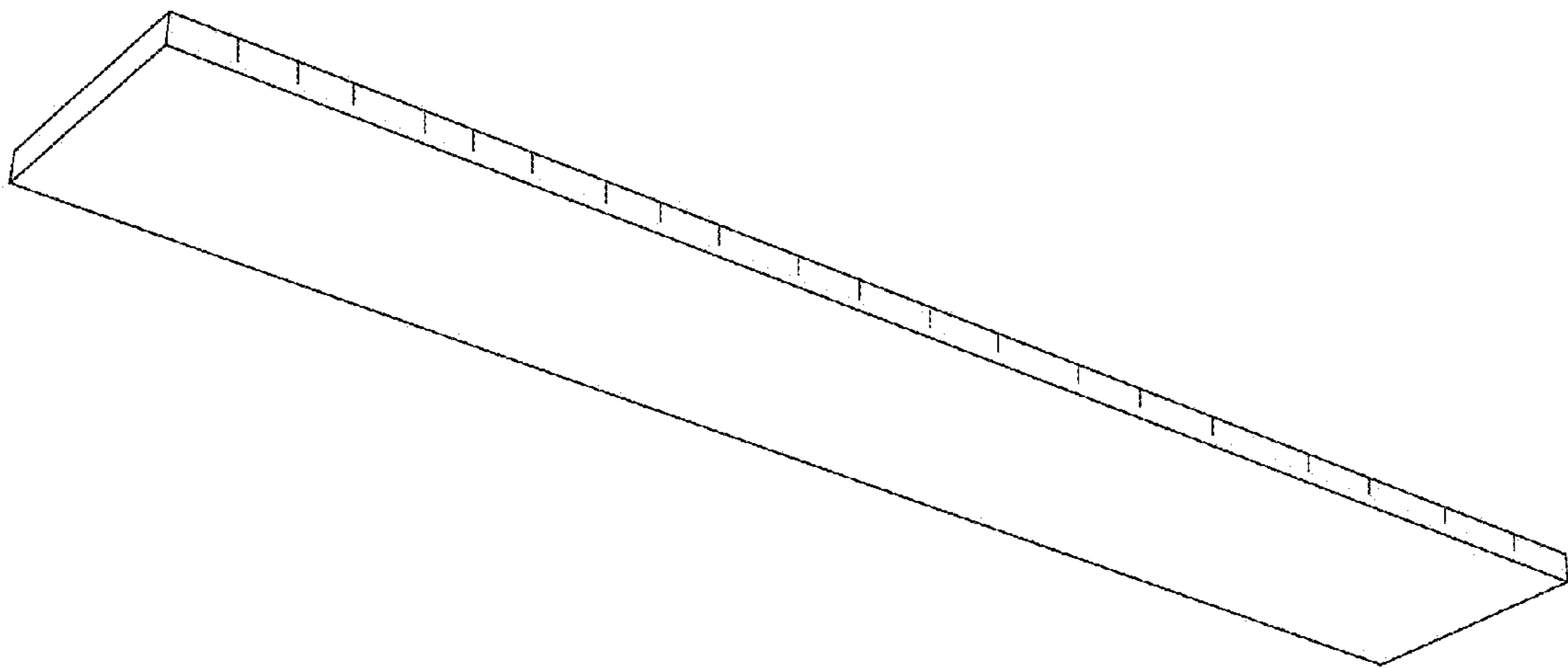
**FIGURE 9**



**FIGURE 10**



**FIGURE 11**



**FIGURE 12**