



US00D757949S

(12) **United States Design Patent**
Smith et al.

(10) **Patent No.:** **US D757,949 S**
(45) **Date of Patent:** **** May 31, 2016**

- (54) **PHYSIOTHERAPY APPARATUS**
- (71) Applicant: **EFFECTIVE WORK FORCE SOLUTIONS LIMITED**, Hebden Bridge (GB)
- (72) Inventors: **Rachael Smith**, Hebden Bridge (GB); **Jayne Duffy**, Hebden Bridge (GB)
- (73) Assignee: **EFFECTIVE WORK FORCE SOLUTIONS LIMITED**, Hebden Bridge (GB)
- (**) Term: **14 Years**
- (21) Appl. No.: **29/520,267**
- (22) Filed: **Mar. 12, 2015**
- (30) **Foreign Application Priority Data**
Sep. 22, 2014 (EM) 002542597-0001
- (51) **LOC (10) Cl.** **24-04**
- (52) **U.S. Cl.**
USPC **D24/188**
- (58) **Field of Classification Search**
USPC D24/188, 212, 200, 201
CPC A61H 15/00; A63B 23/08; A63B 21/0552
See application file for complete search history.

- (56) **References Cited**
U.S. PATENT DOCUMENTS
D185,658 S * 7/1959 Brandimarte et al. D21/690
3,298,363 A * 1/1967 Parkin 5/236.1
3,685,511 A * 8/1972 Alvarez A61H 15/00
482/144
D269,701 S * 7/1983 Miller D21/688
D301,267 S * 5/1989 Lane D21/691
4,844,055 A * 7/1989 Rawcliffe A63B 24/00
482/1

- 5,054,137 A * 10/1991 Christensen A61G 7/1038
5/81.1 RP
- D349,344 S * 8/1994 Kudlak D21/687
- 6,102,882 A * 8/2000 Cobo A61H 1/0222
602/32
- D431,080 S * 9/2000 Anderson D24/188
- D589,623 S * 3/2009 Olliges D24/188
- D611,154 S * 3/2010 Kopf D24/188
- D681,215 S * 4/2013 Kessler D24/188
- D683,464 S * 5/2013 Hartman D24/188
- D706,428 S * 6/2014 Manzo D24/188
- 8,834,169 B2 * 9/2014 Reinkensmeyer ... A61H 1/0274
434/247
- D716,459 S * 10/2014 Liran D24/188
- D736,936 S * 8/2015 McGerald D24/188
- 2007/0185418 A1 * 8/2007 Mitsubishi A61F 5/04
601/34
- 2007/0249971 A1 * 10/2007 Doran A63B 21/4013
601/27

* cited by examiner

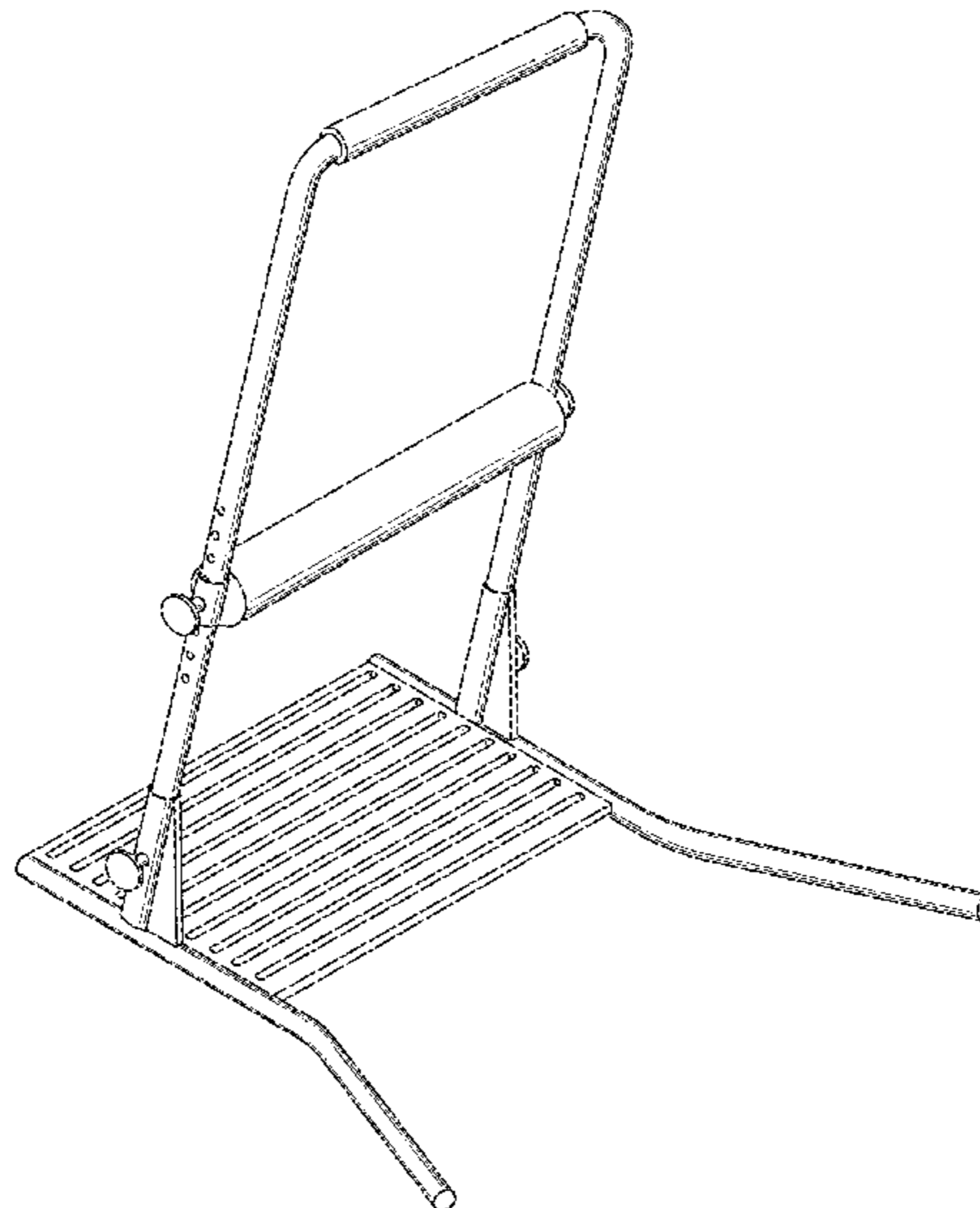
Primary Examiner — Michael A. Pratt
Assistant Examiner — Michelle E Wilson
(74) *Attorney, Agent, or Firm* — Egbert Law Offices, PLLC

(57) **CLAIM**
The ornamental design for a physiotherapy apparatus, as shown and described.

DESCRIPTION

FIG. 1 is an upper perspective view of a physiotherapy apparatus showing our new design.
FIG. 2 is a front view thereof;
FIG. 3 is a rear view thereof.
FIG. 4 is a side view thereof, an opposite side view being a mirror image thereof; and,
FIG. 5 is a top plan view thereof.
The physiotherapy apparatus is an active balance support designed to assist patients suffering with mild leg weakness, for example as a result of neurological problems such as a stroke, an accident, age or illness.

1 Claim, 5 Drawing Sheets



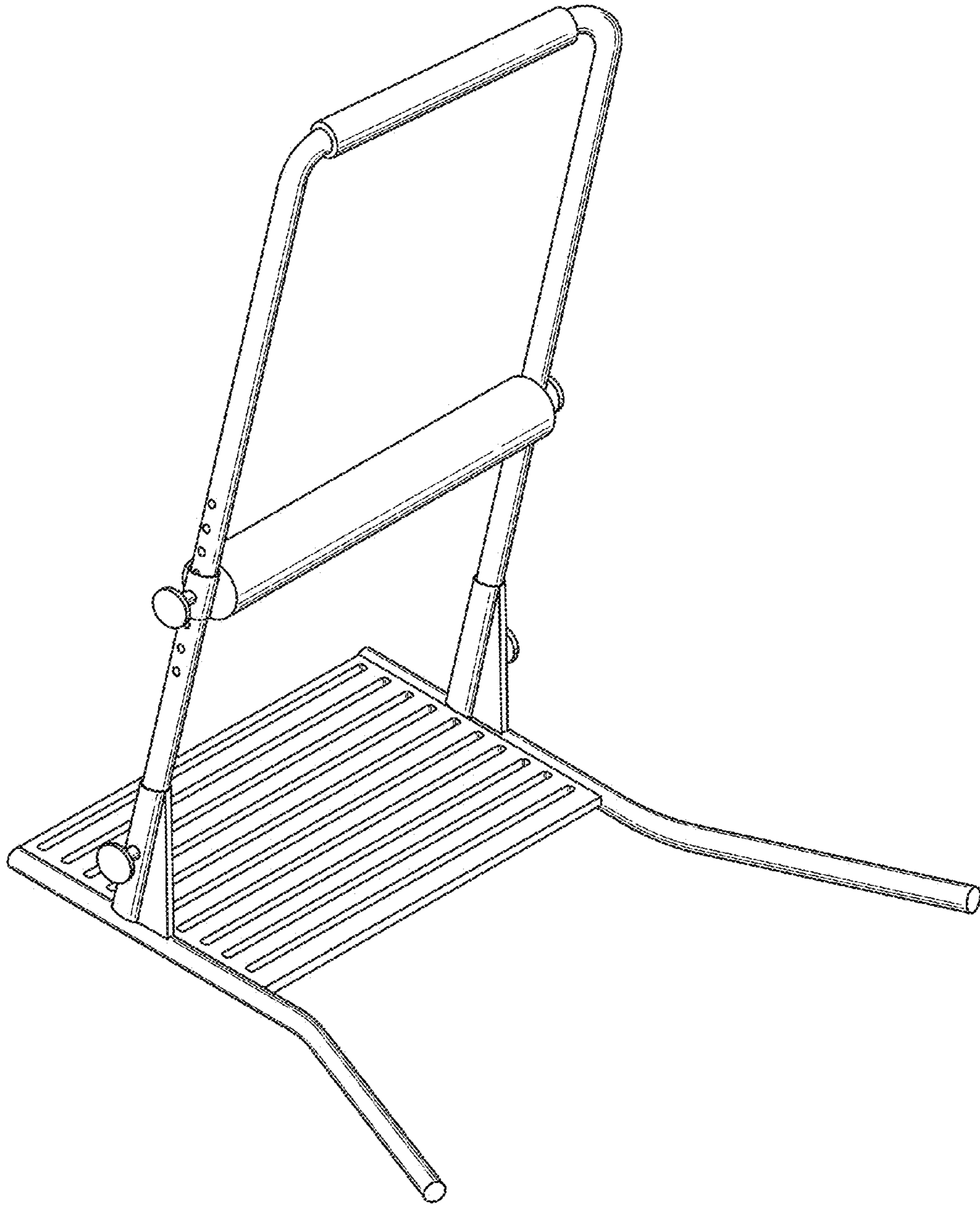


Fig. 1

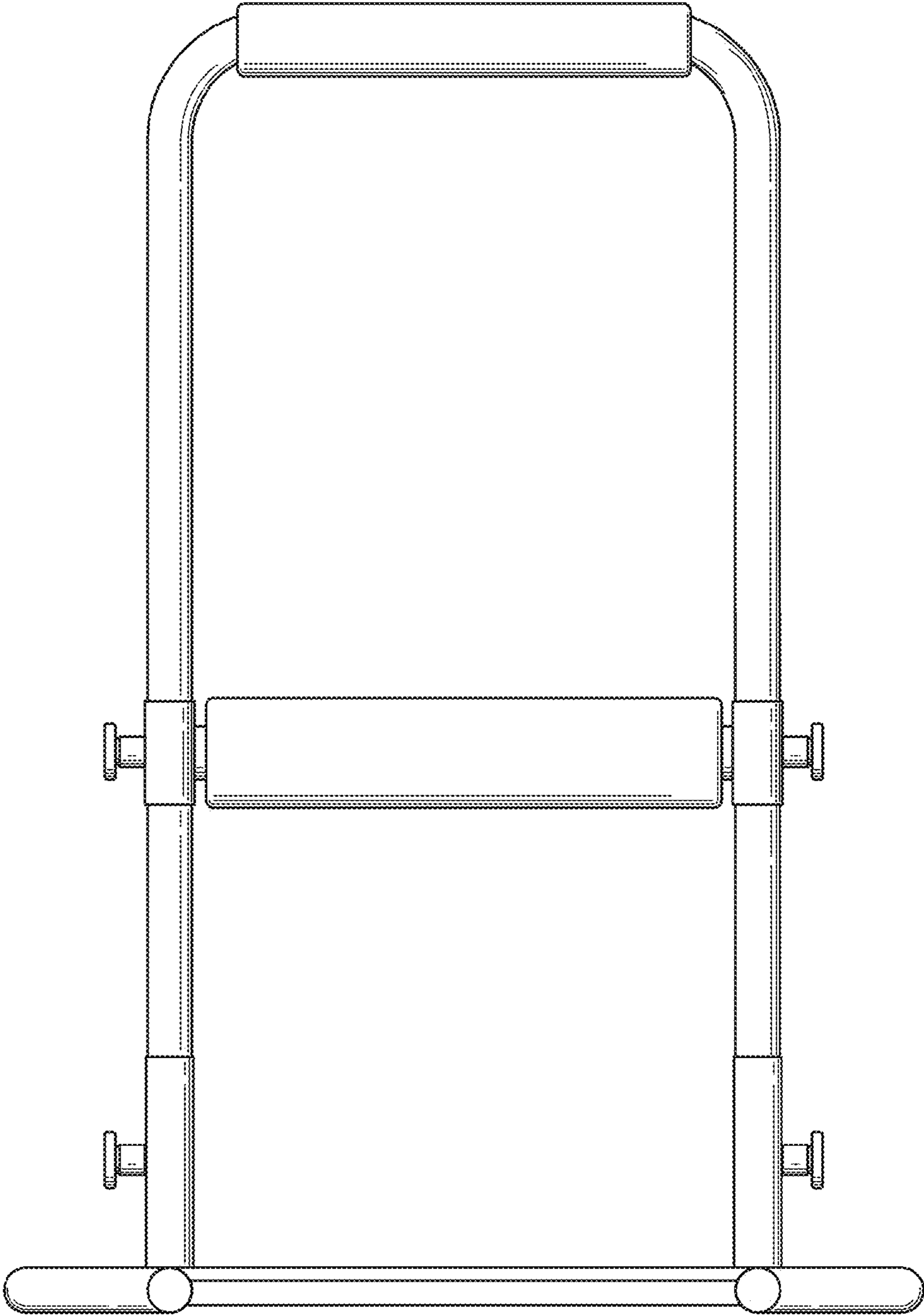


Fig. 2

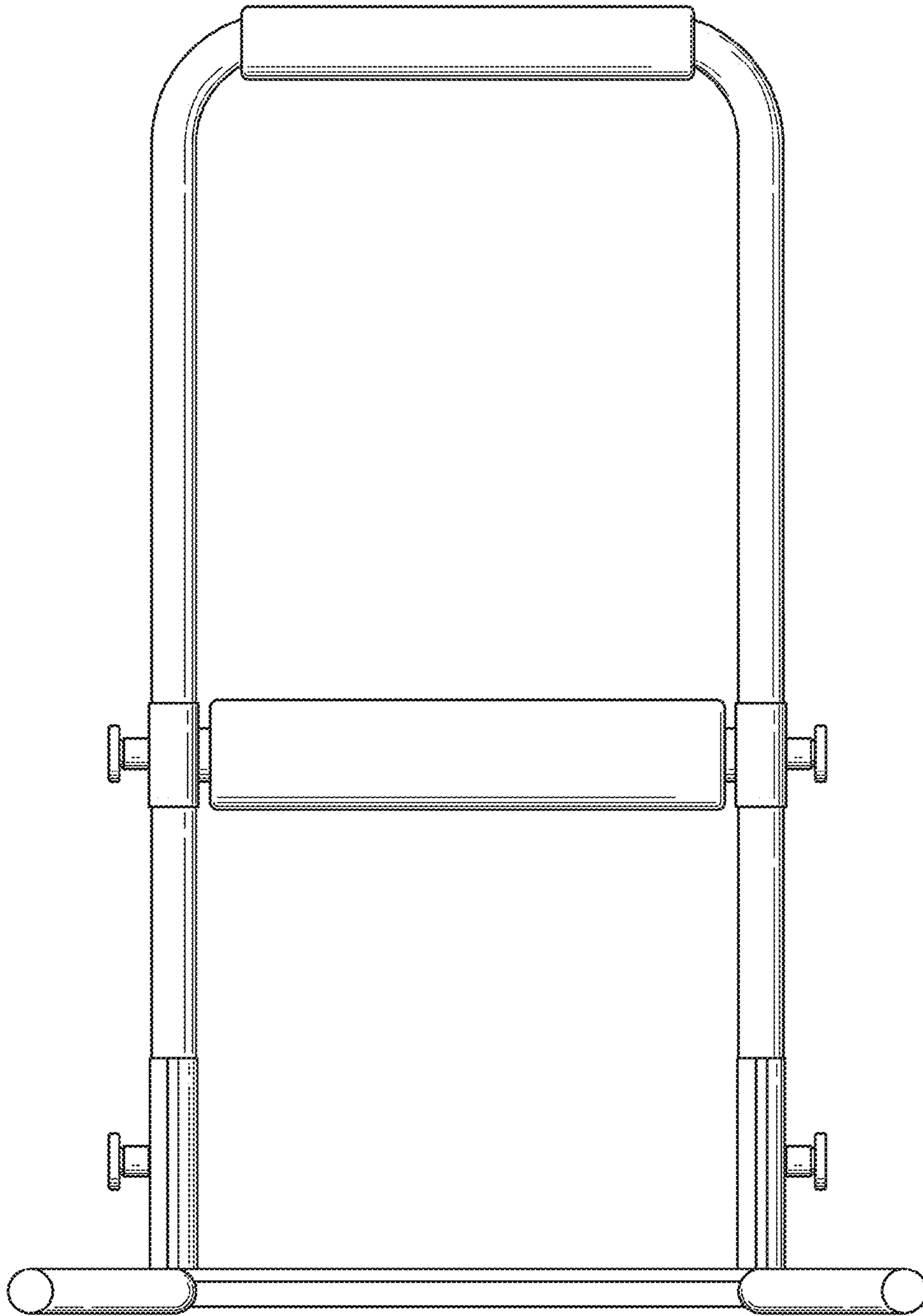


Fig. 3

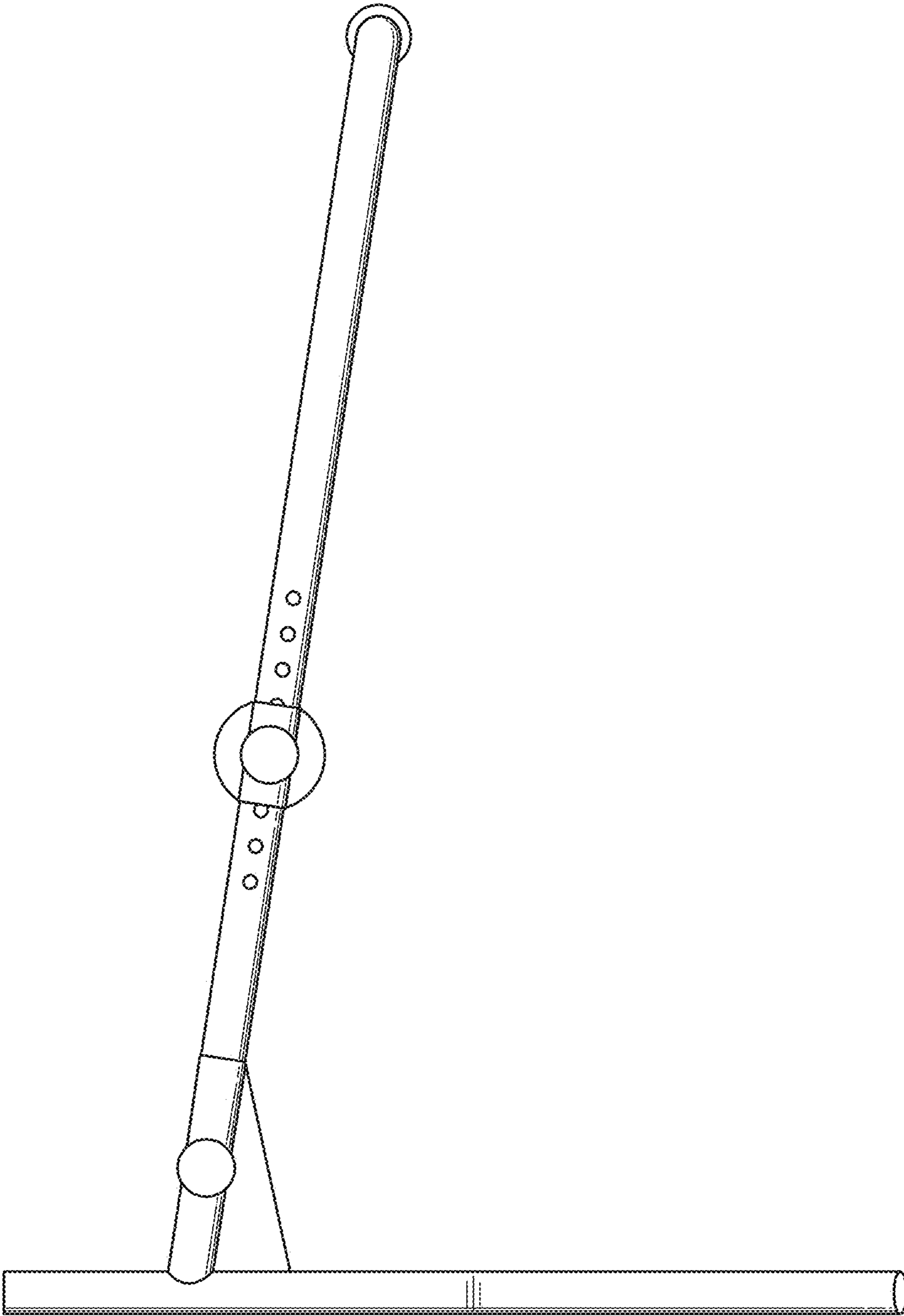


Fig. 4

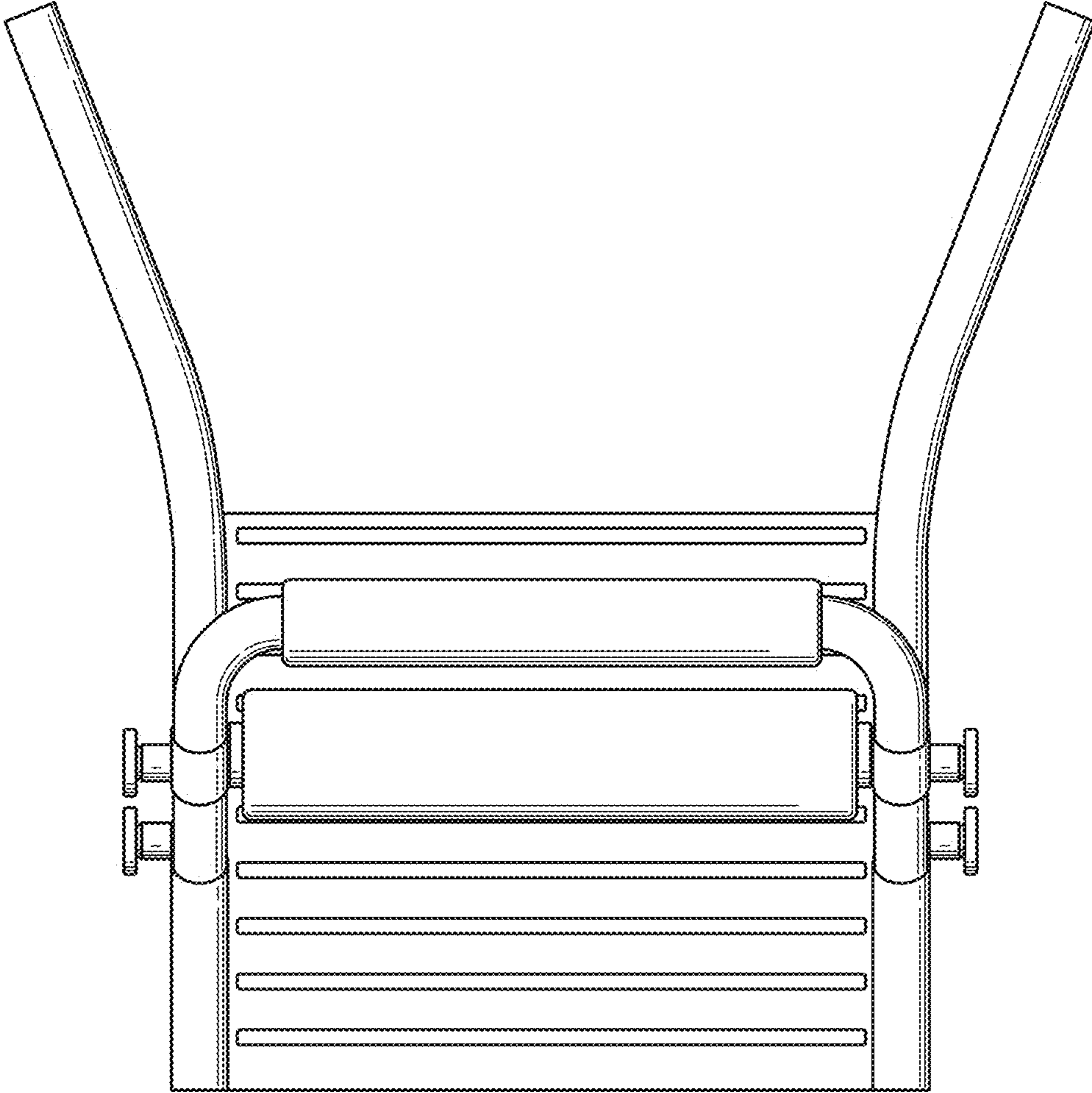


Fig. 5