



US00D757948S

(12) **United States Design Patent**  
**Thomas et al.**

(10) **Patent No.:** **US D757,948 S**  
(45) **Date of Patent:** **\*\* May 31, 2016**

(54) **PORTABLE CLINICAL CERVICAL TRACTION DEVICE**

(71) Applicant: **Hollywog, LLC**, Chattanooga, TN (US)

(72) Inventors: **Charles M. Thomas**, Hixson, TN (US);  
**D. Keith Hagy**, Hixson, TN (US);  
**Thu-Ha Thi Duncan**, Cleveland, TN (US);  
**John S. Marshall**, Harrison, TN (US)

(73) Assignee: **Hollywog, LLC**, Chattanooga, TN (US)

(\*\*) Term: **14 Years**

(21) Appl. No.: **29/496,843**

(22) Filed: **Jul. 17, 2014**

(51) **LOC (10) Cl.** ..... **24-04**

(52) **U.S. Cl.**  
USPC ..... **D24/188**

(58) **Field of Classification Search**

USPC ..... D24/188, 190, 191  
CPC ..... A61H 1/0218; A61F 5/048; A61F 5/042;  
A61F 5/04; A61F 5/055

See application file for complete search history.

(56) **References Cited**

**U.S. PATENT DOCUMENTS**

3,540,439 A \* 11/1970 Gaylord, Jr. .... A61H 1/0218  
602/36  
D272,467 S \* 1/1984 Nightingale ..... D24/188

(Continued)

*Primary Examiner* — T. Chase Nelson

*Assistant Examiner* — Michelle E Wilson

(74) *Attorney, Agent, or Firm* — Chambliss, Bahner & Stophel, P.C.

(57) **CLAIM**

The ornamental design for a portable clinical cervical traction device, as shown and described.

**DESCRIPTION**

FIG. 1 is a top perspective view of a first embodiment of the portable clinical cervical traction device of our new design.

FIG. 2 is a top view of the first embodiment of the portable clinical cervical traction device of our new design.

FIG. 3 is a right side view of the first embodiment of the portable clinical cervical traction device of our new design (the left side view is a mirror image).

FIG. 4 is a rear view of the first embodiment of the portable clinical cervical traction device of our new design.

FIG. 5 is a front view of the first embodiment of the portable clinical cervical traction device of our new design.

FIG. 6 is a bottom view of the first embodiment of the portable clinical cervical traction device of our new design.

FIG. 7 is a top perspective view of a second embodiment of the portable clinical cervical traction device of our new design.

FIG. 8 is a top view of the second embodiment of the portable clinical cervical traction device of our new design.

FIG. 9 is a right side view of the second embodiment of the portable clinical cervical traction device of our new design (the left side view is a mirror image).

FIG. 10 is a rear view of the second embodiment of the portable clinical cervical traction device of our new design.

FIG. 11 is a front view of the second embodiment of the portable clinical cervical traction device of our new design.

FIG. 12 is a bottom view of the second embodiment of the portable clinical cervical traction device of our new design.

FIG. 13 is a top perspective view of a third embodiment of the portable clinical cervical traction device of our new design.

FIG. 14 is a top view of the third embodiment of the portable clinical cervical traction device of our new design.

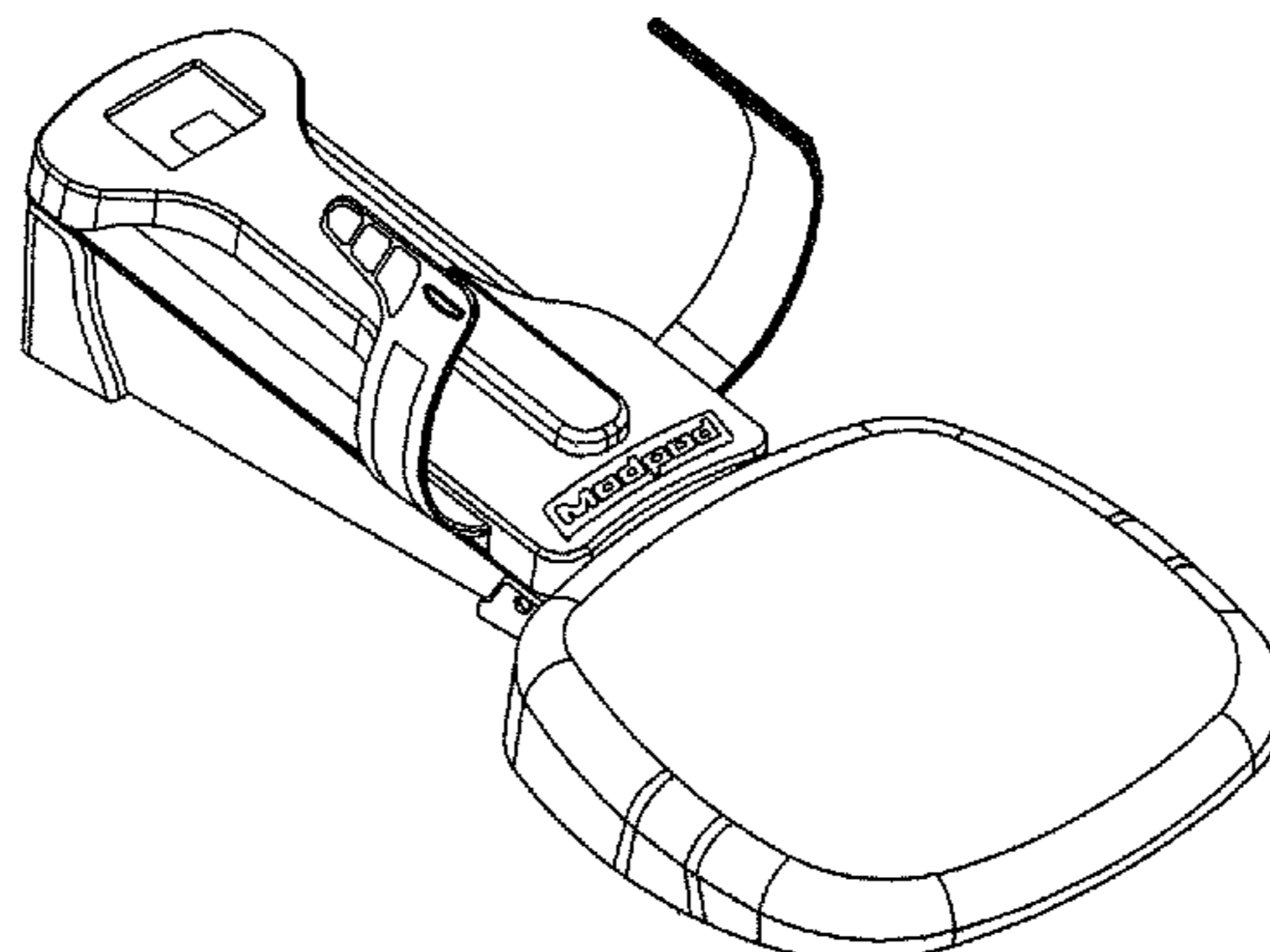
FIG. 15 is a right side view of the third embodiment of the portable clinical cervical traction device of our new design (the left side view is a mirror image).

FIG. 16 is a rear view of the third embodiment of the portable clinical cervical traction device of our new design.

FIG. 17 is a front view of the third embodiment of the portable clinical cervical traction device of our new design; and,

FIG. 18 is a bottom view of the third embodiment of the portable clinical cervical traction device of our new design. Structure that is not part of the claimed design, but which is considered necessary to show the environment in which the design is associated, is represented in FIGS. 6, 12 and 18 by broken lines.

**1 Claim, 18 Drawing Sheets**



(56)

**References Cited**

U.S. PATENT DOCUMENTS

4,784,122	A *	11/1988	Graham	.....	A61H 1/0218 602/35
4,890,605	A *	1/1990	Rosendale	.....	A61H 1/0218 602/33
5,067,483	A *	11/1991	Freed	.....	A61H 1/0218 602/18
D330,083	S *	10/1992	Nightingale	.....	D24/188
D337,824	S *	7/1993	Campbell	.....	D24/190
D344,135	S *	2/1994	Price	.....	D24/188
D349,344	S *	8/1994	Kudlak	.....	D21/687
D350,827	S *	9/1994	Alderson	.....	D24/191
5,441,479	A *	8/1995	Chitwood	.....	A61F 5/04 128/845
5,451,202	A *	9/1995	Miller	.....	A61H 1/0218 602/35
D364,684	S *	11/1995	Bonn	.....	D24/191
D384,155	S *	9/1997	Crist	.....	D24/190
D431,080	S *	9/2000	Anderson	.....	D24/188
6,312,401	B1 *	11/2001	Smith	.....	A61H 1/0218 482/142
D496,463	S *	9/2004	Hunt	.....	D24/188
6,875,189	B1 *	4/2005	Nelson	.....	A61F 5/055 128/857
2003/0088200	A1 *	5/2003	Saunders	.....	A61F 5/04 602/32
2005/0107727	A1 *	5/2005	Hunt	.....	A61F 5/055 602/17
2014/0188027	A1 *	7/2014	Jaber	.....	A61F 5/048 602/36

\* cited by examiner

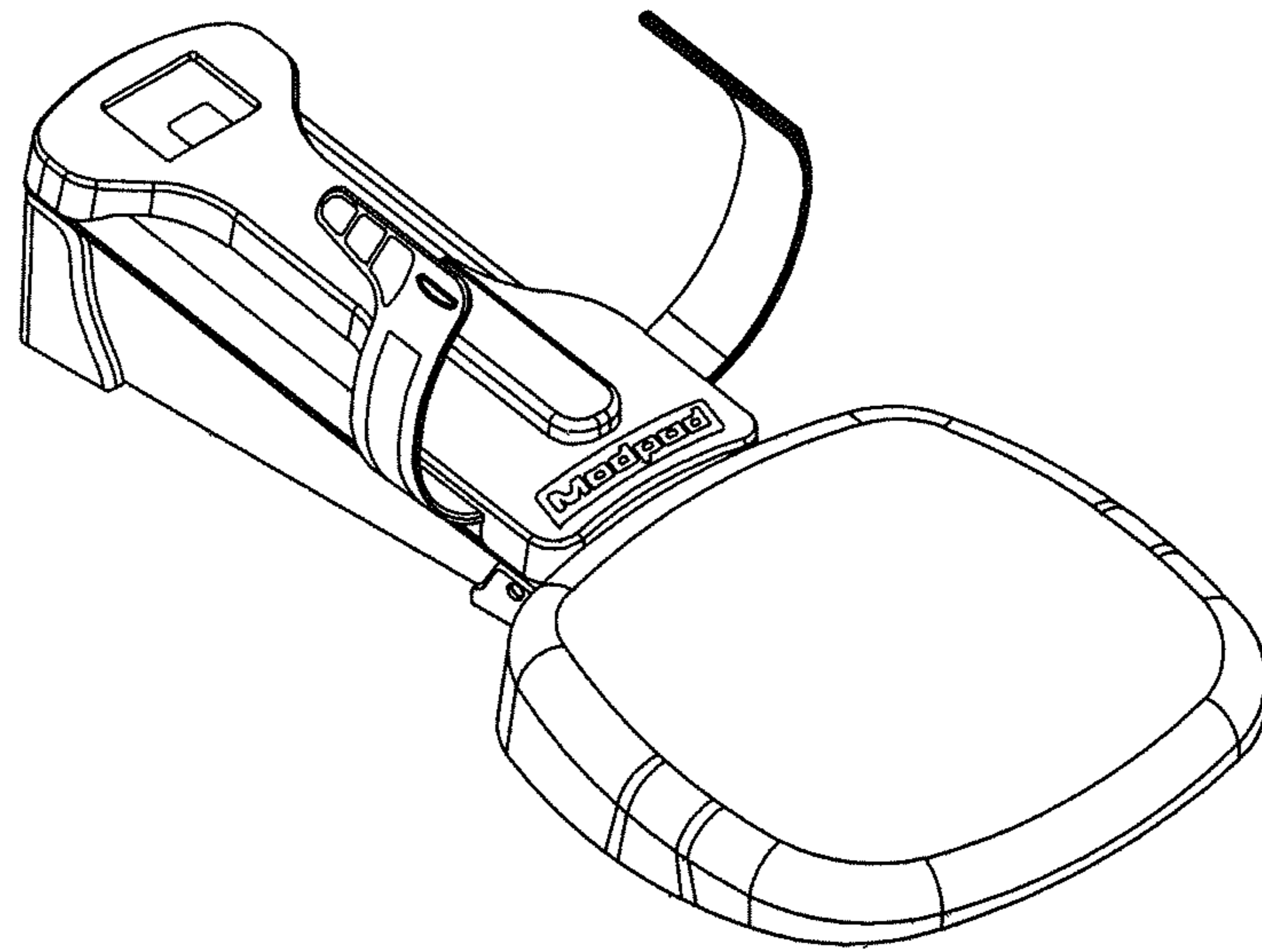


FIGURE 1

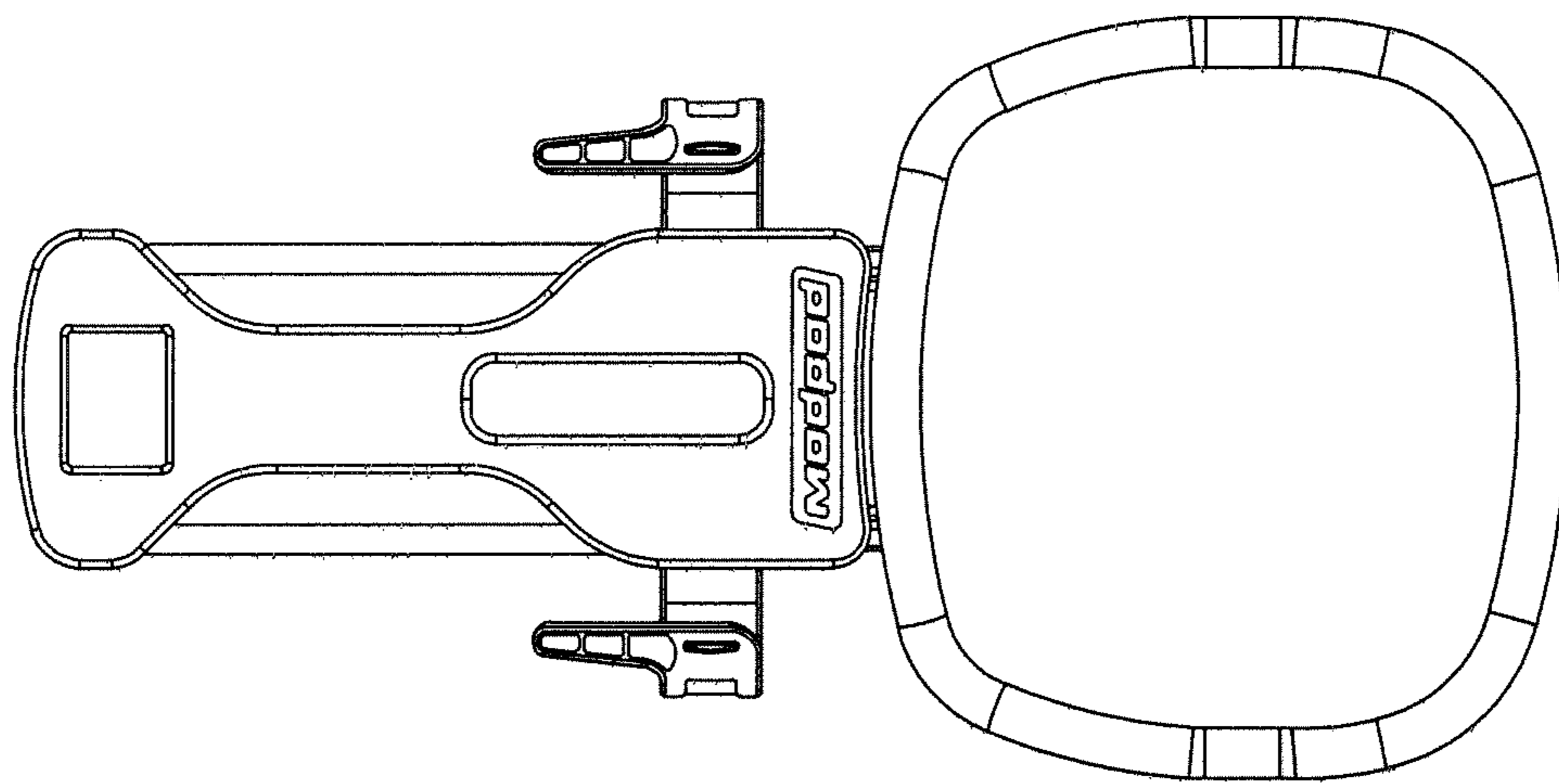
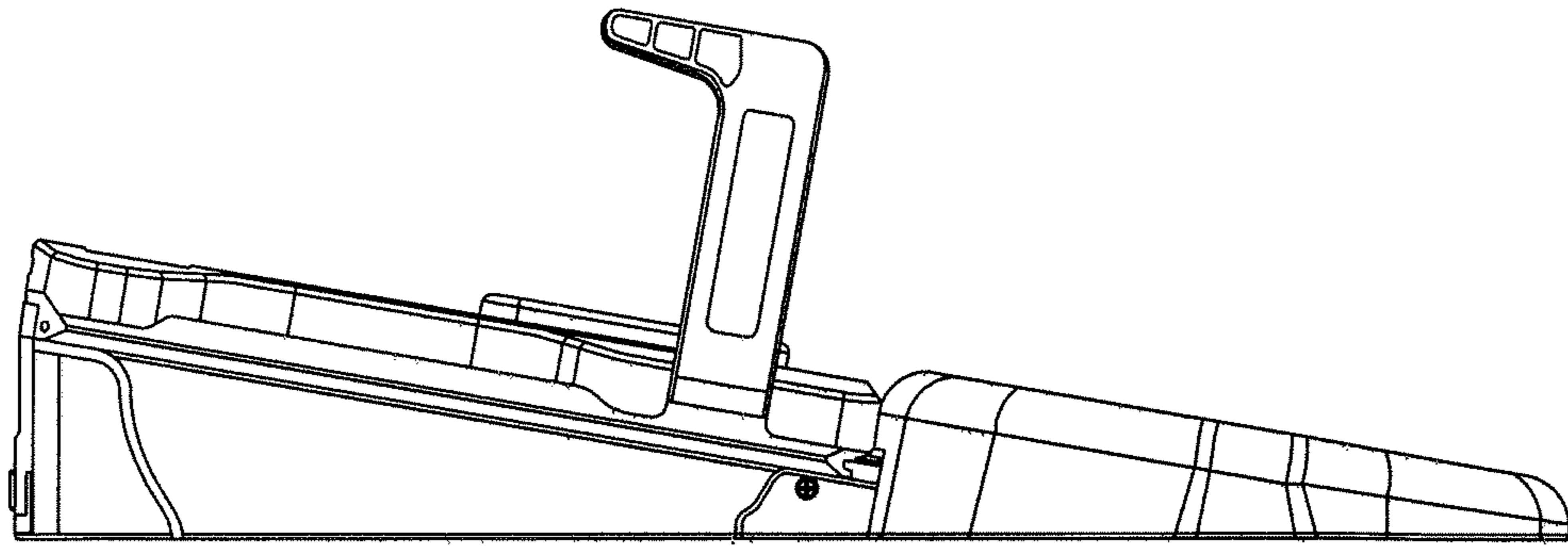
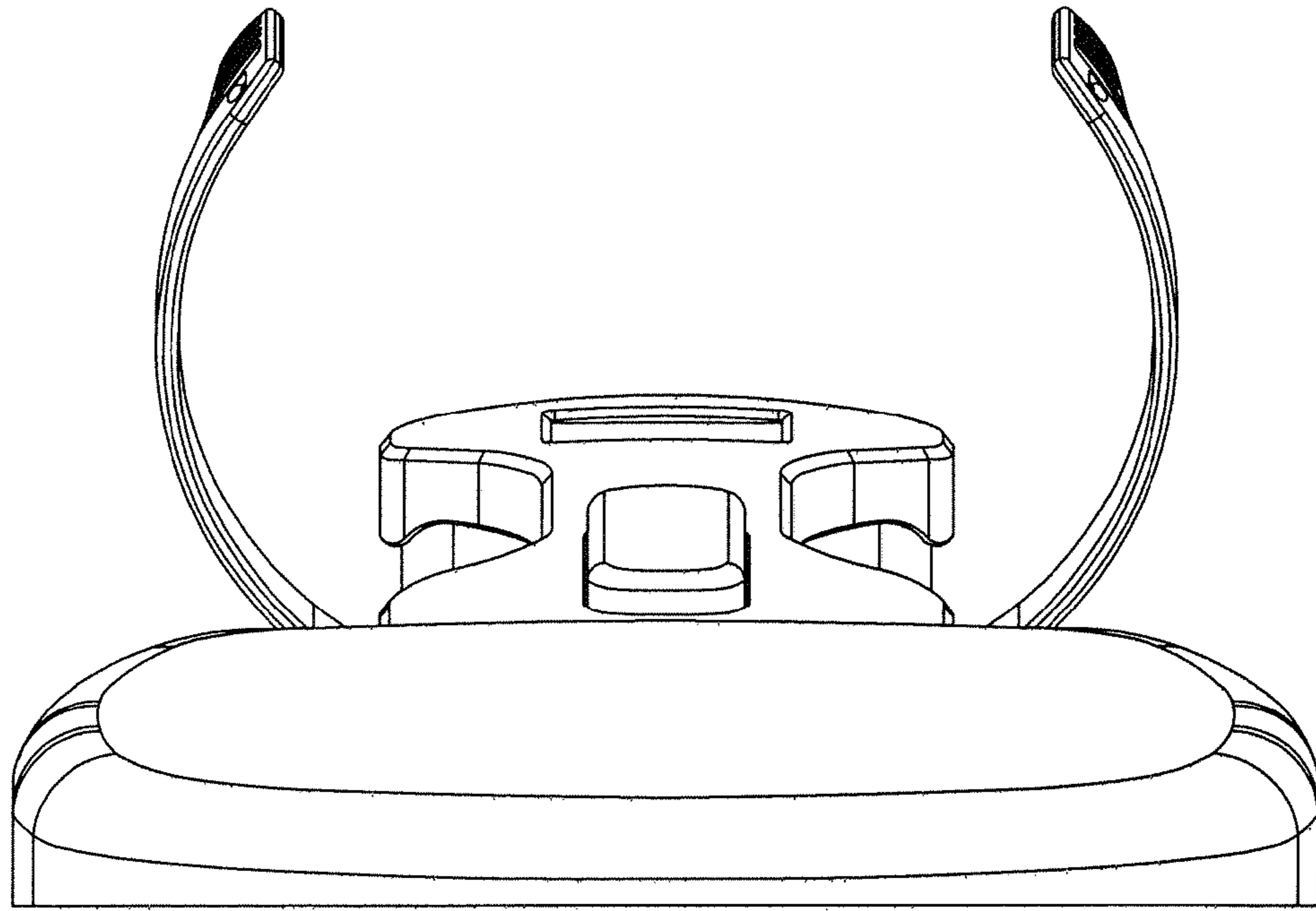


FIGURE 2



**FIGURE 3**



**FIGURE 4**

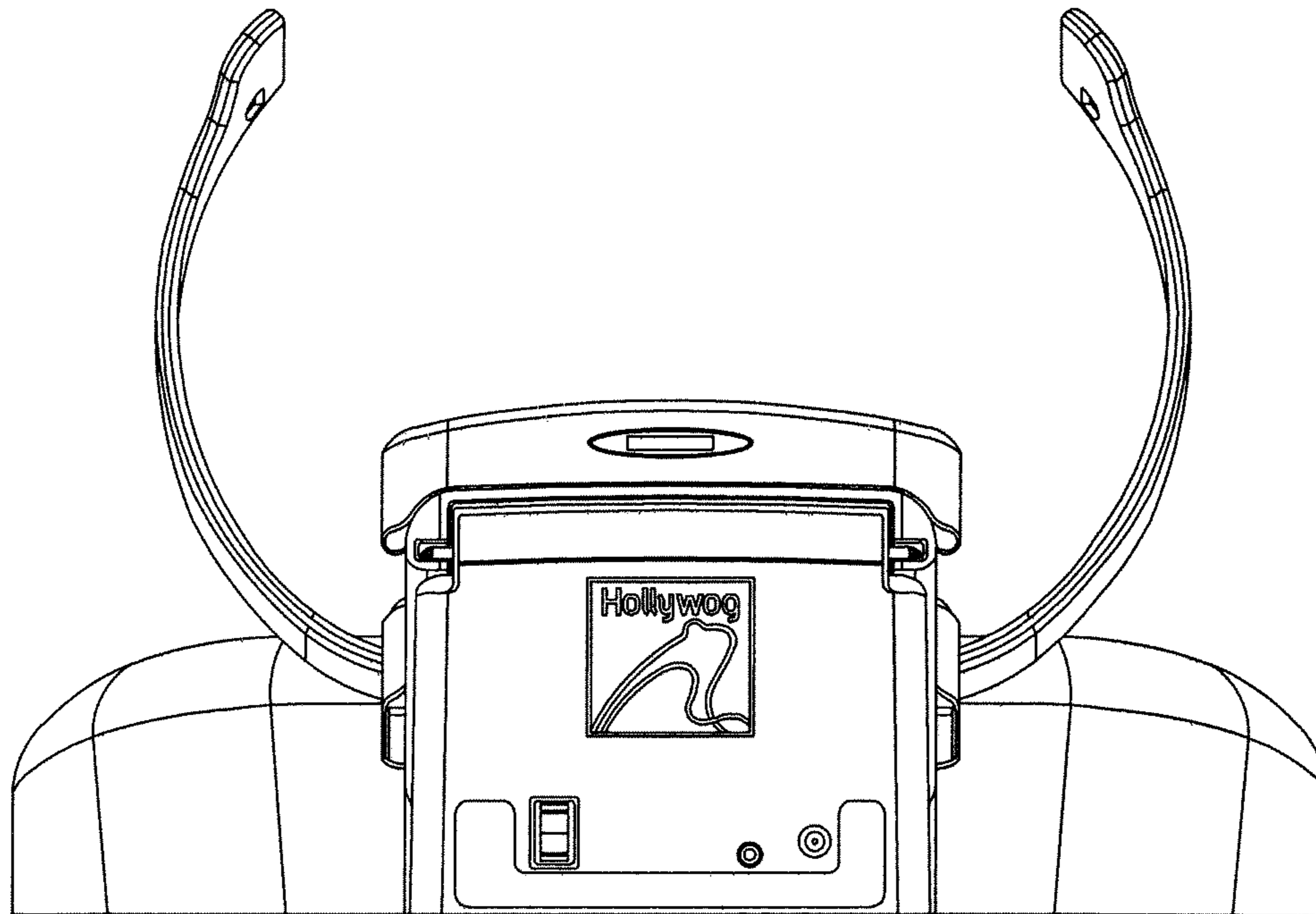


FIGURE 5

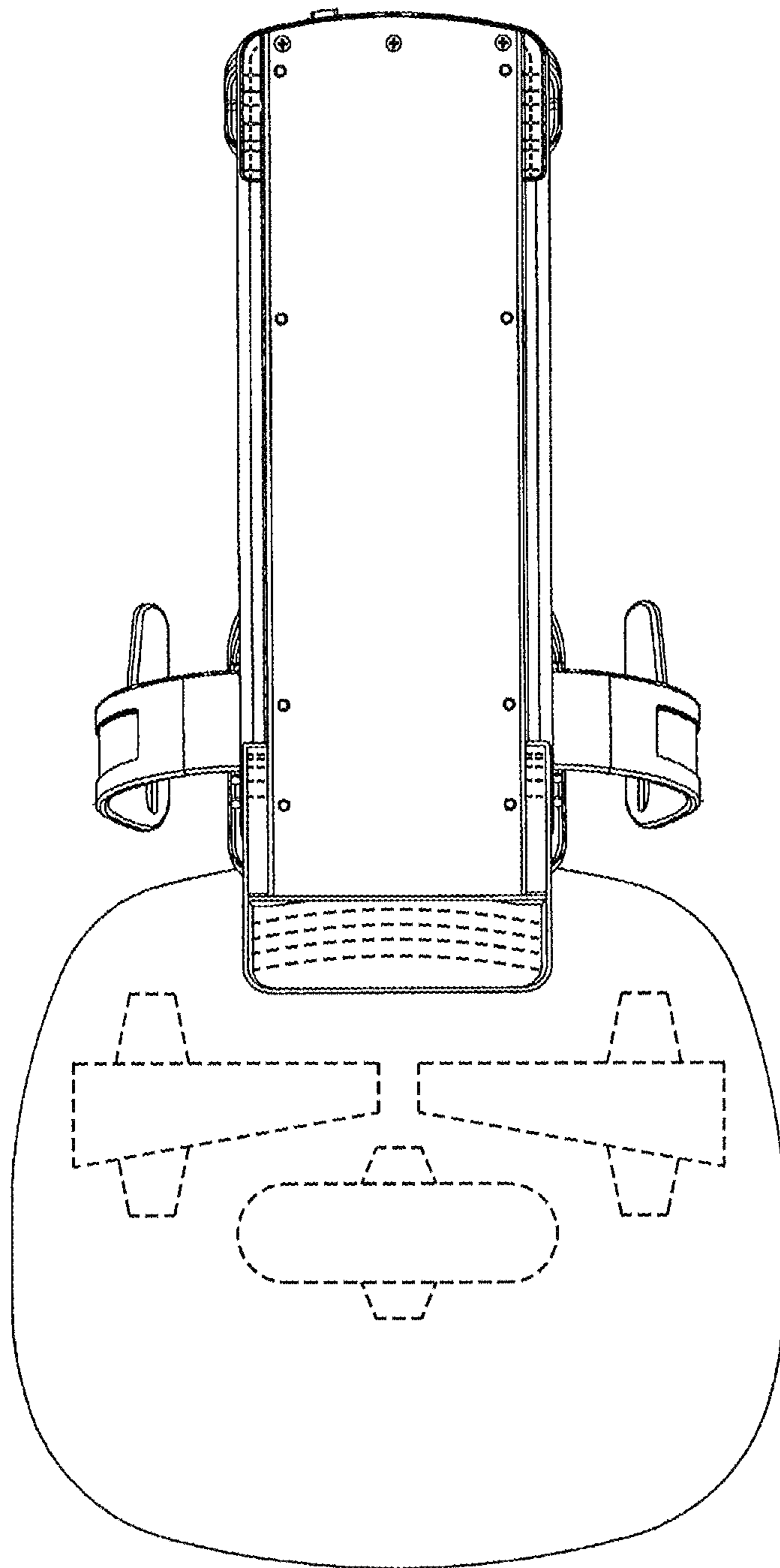
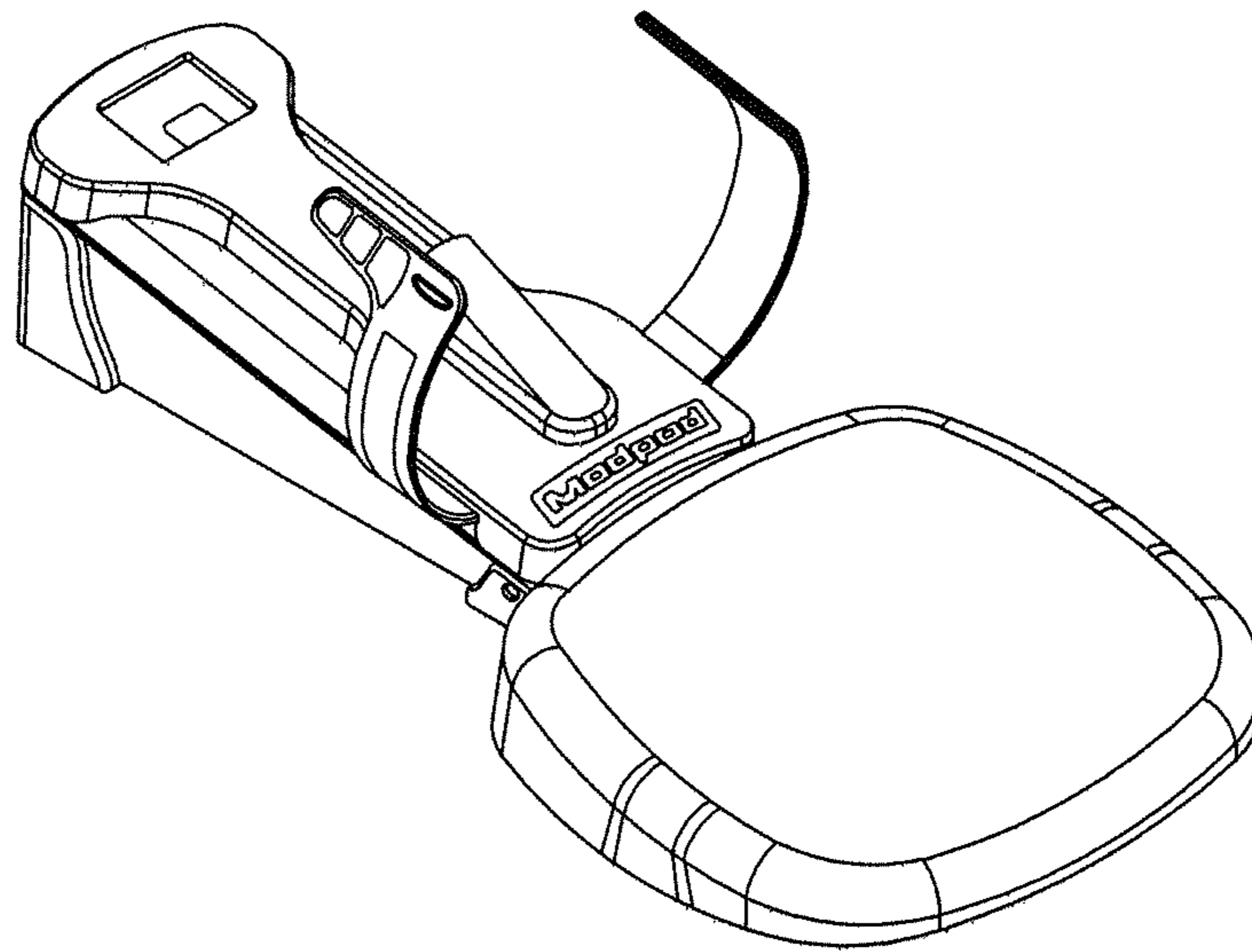


Figure 6





**FIGURE 7**

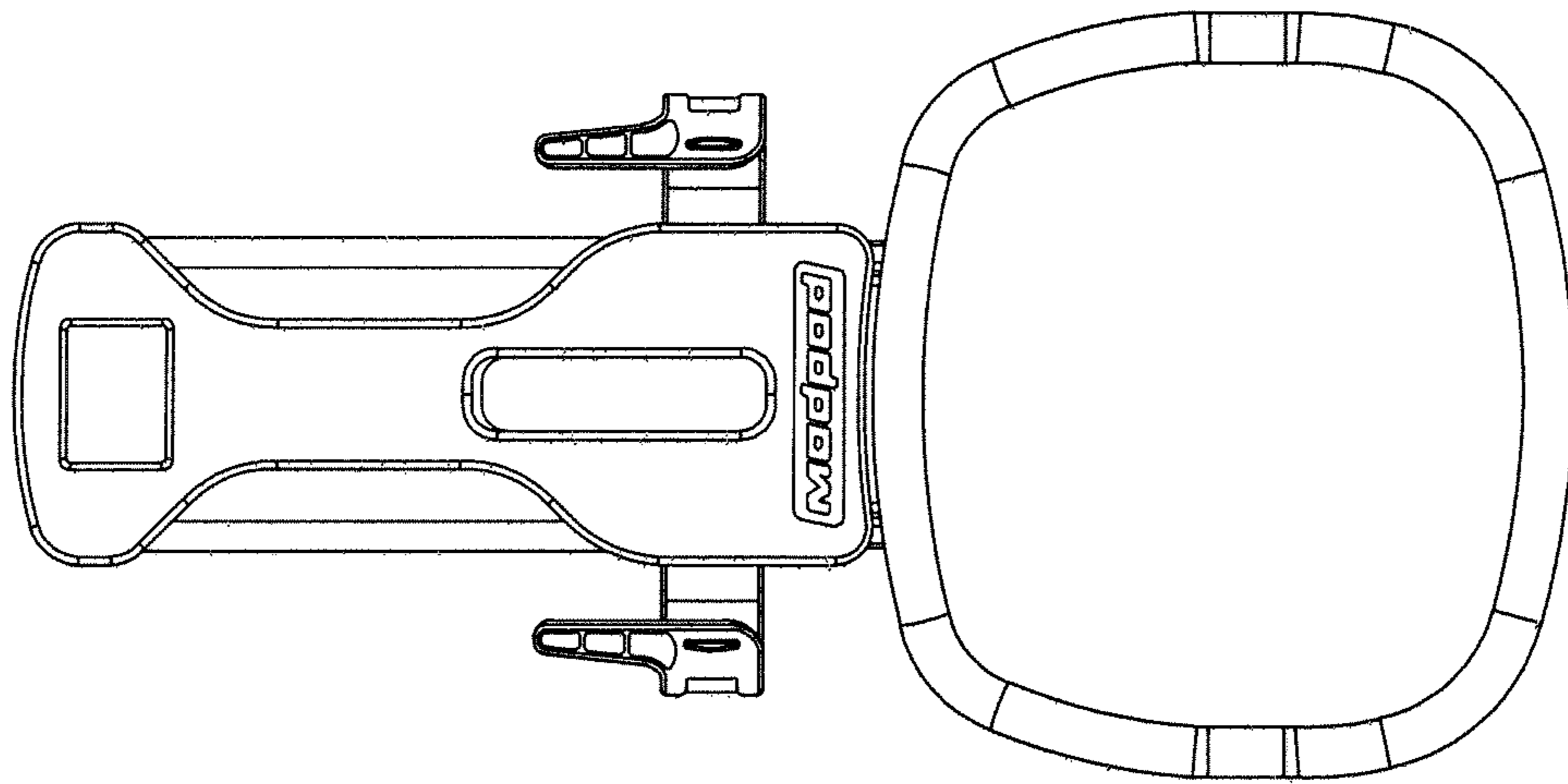
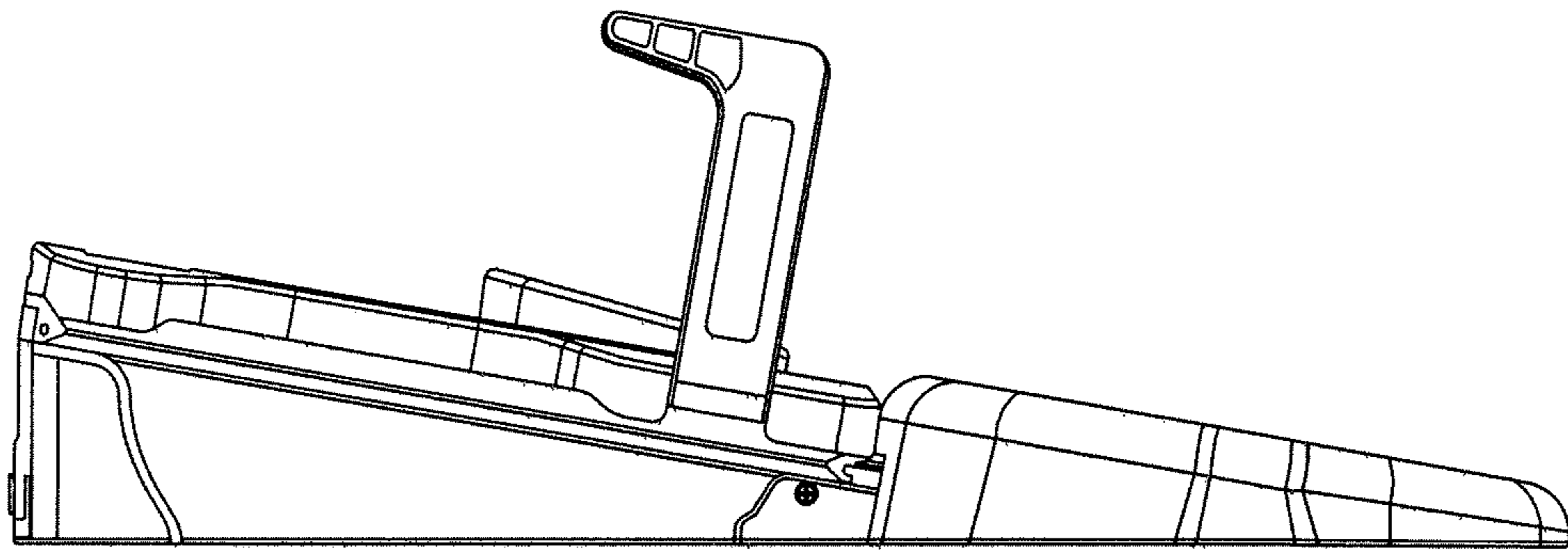
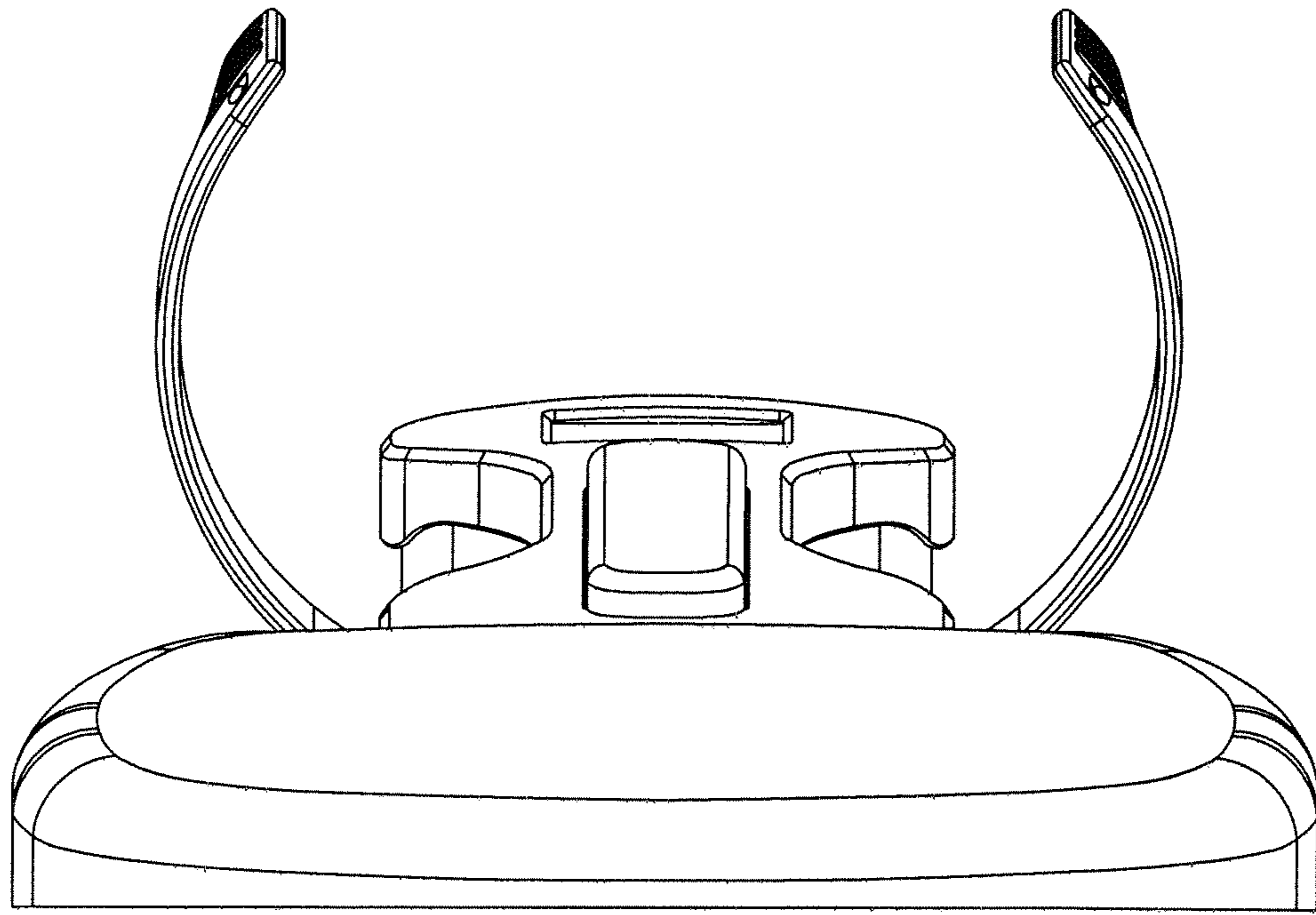


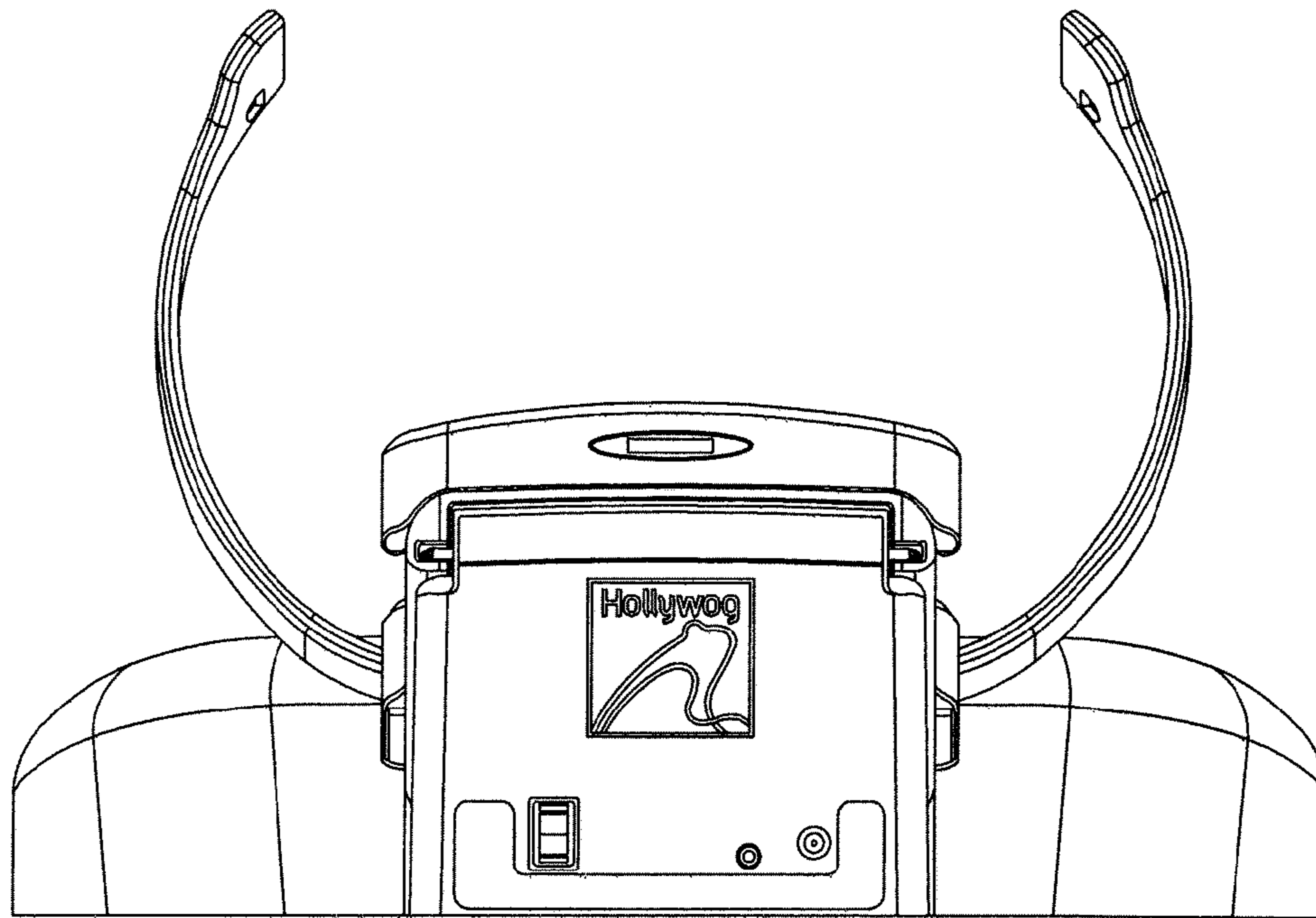
FIGURE 8



**FIGURE 9**



**FIGURE 10**



**FIGURE 11**

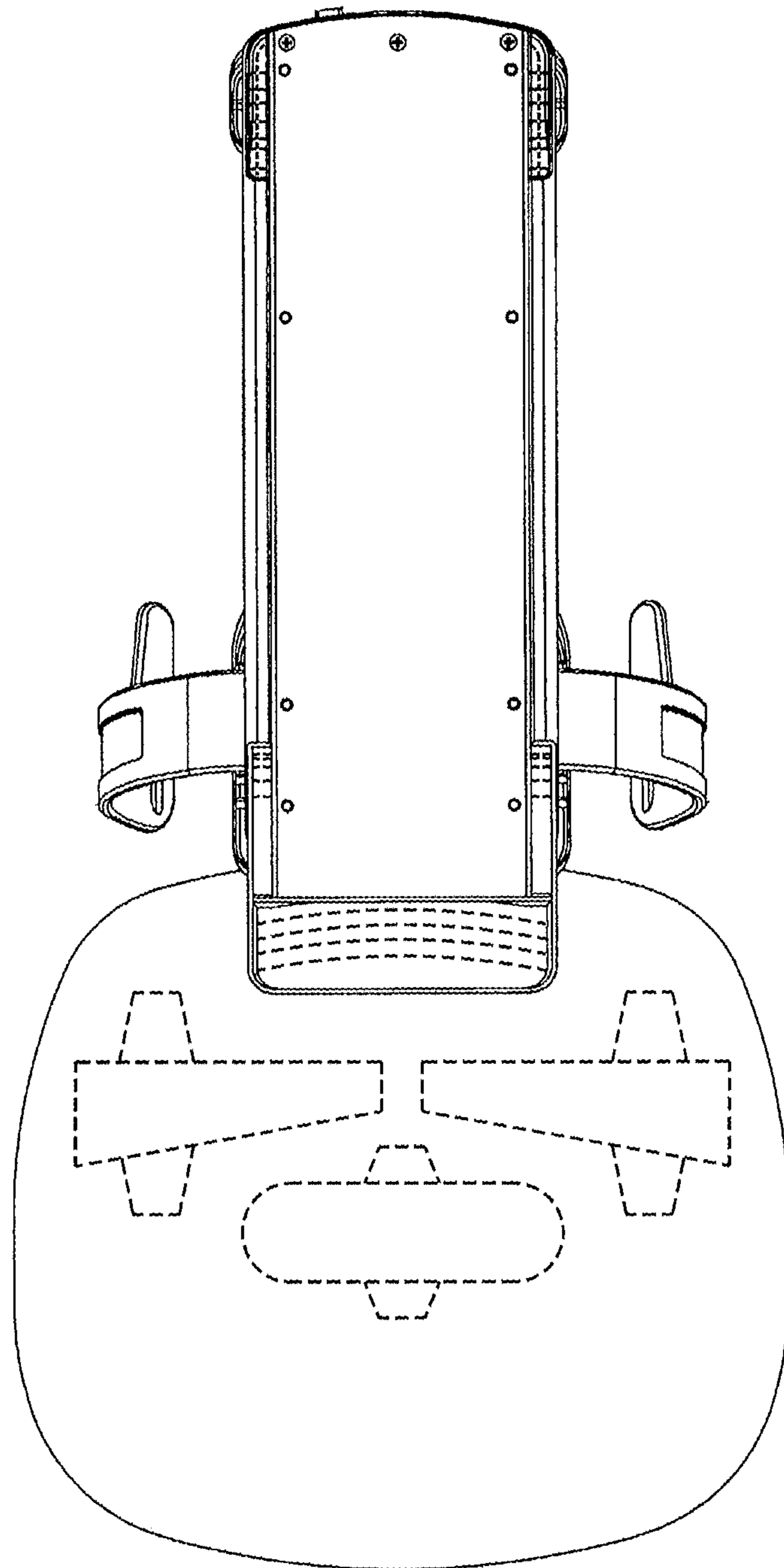
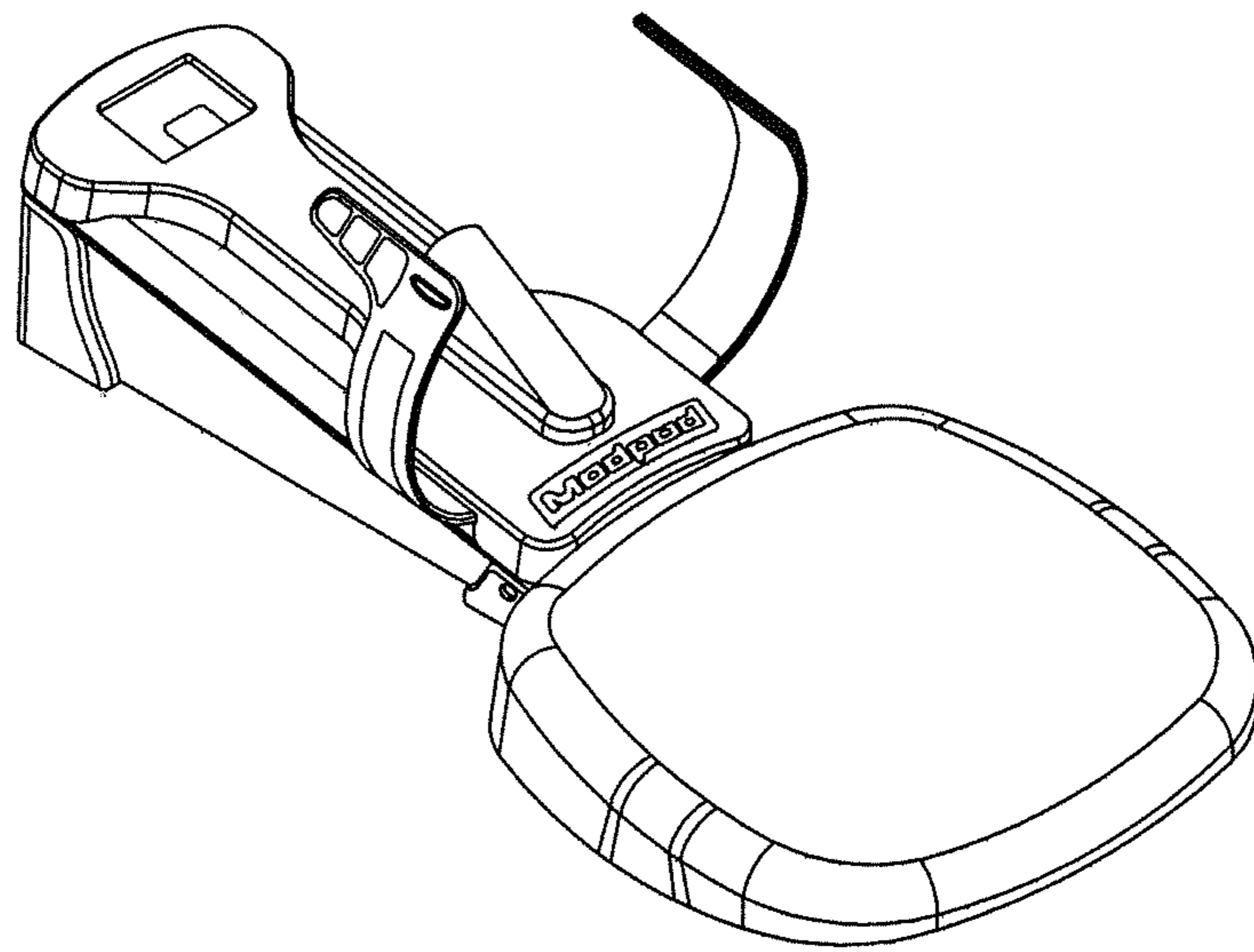


Figure 12



**FIGURE 13**

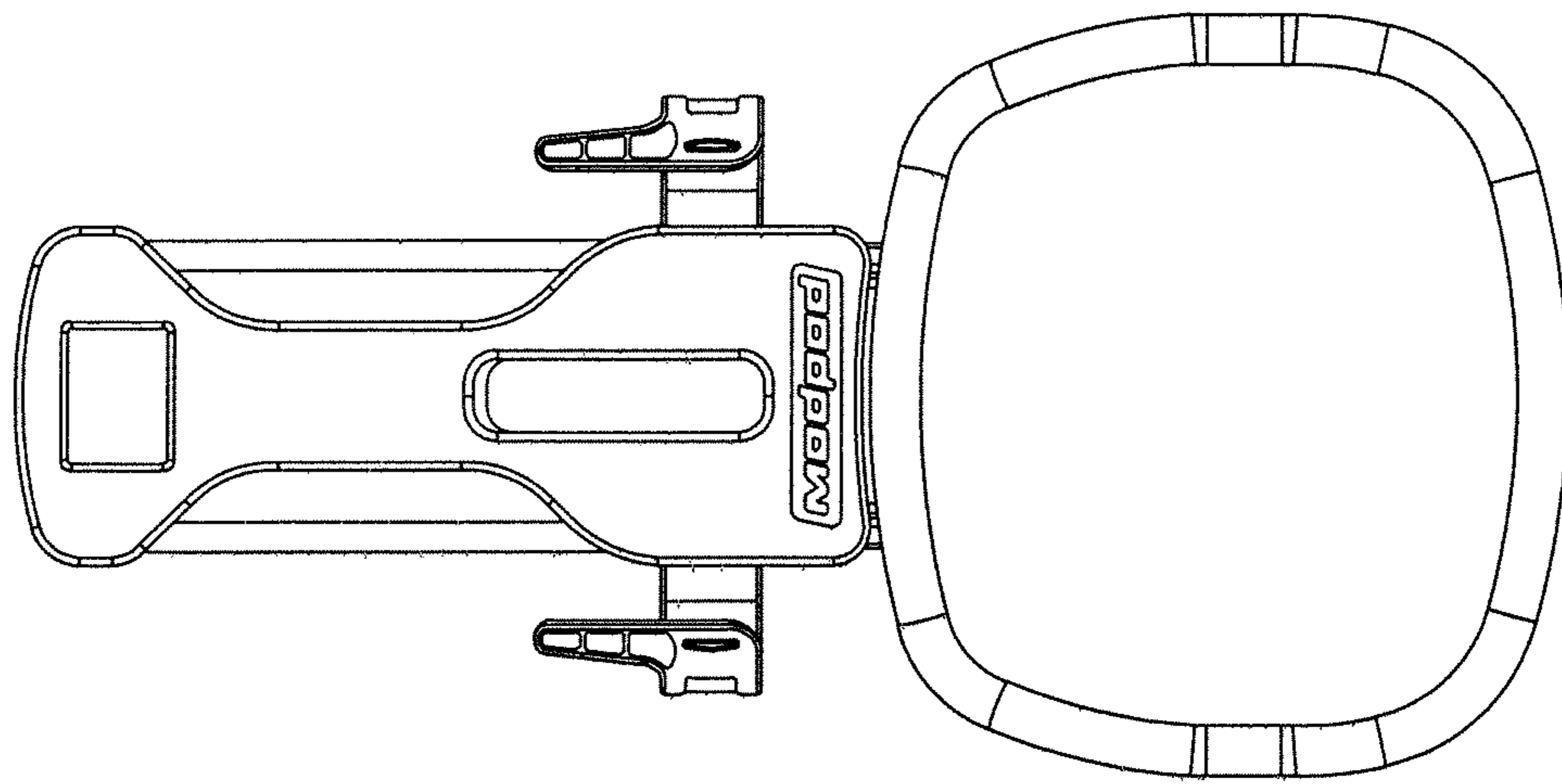
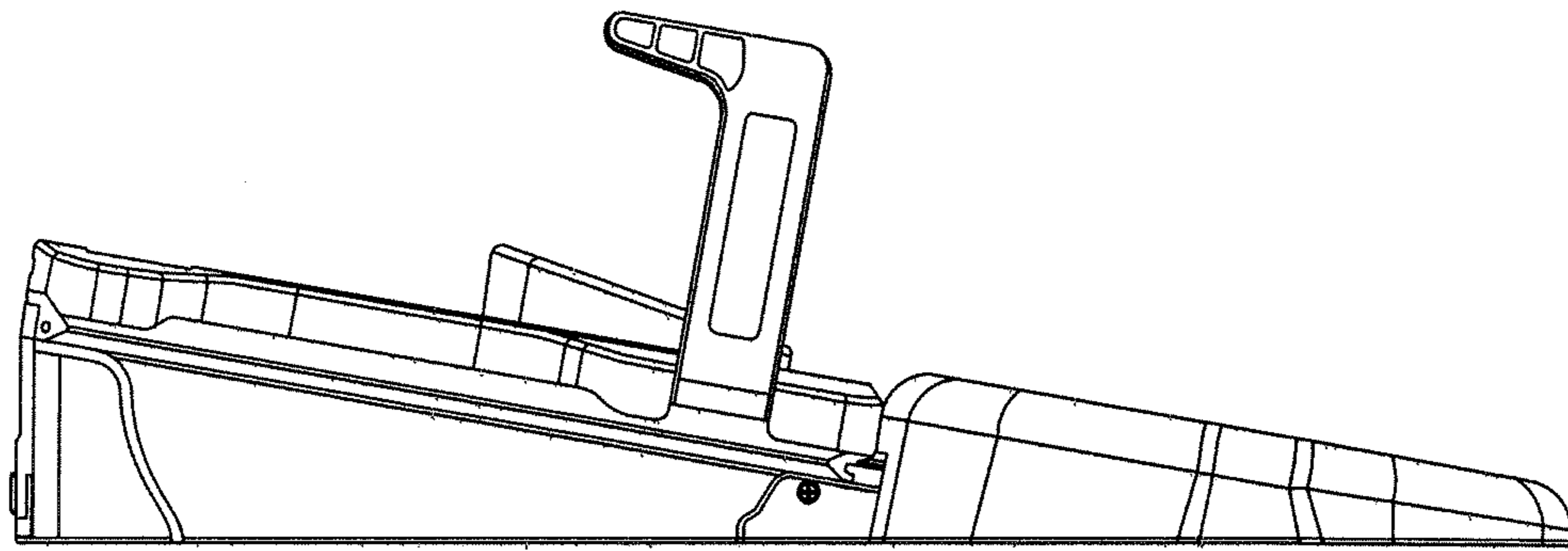
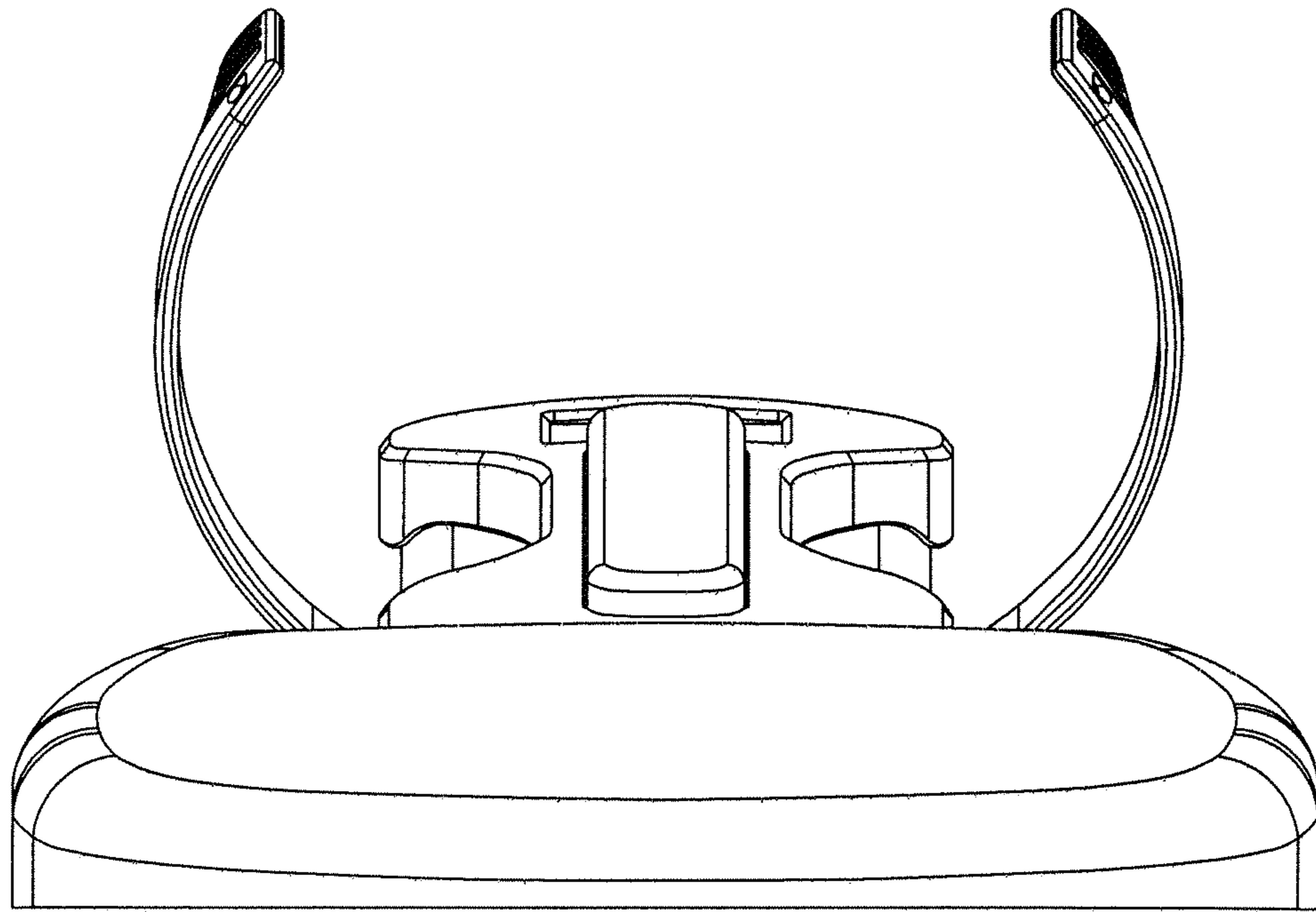


FIGURE 14

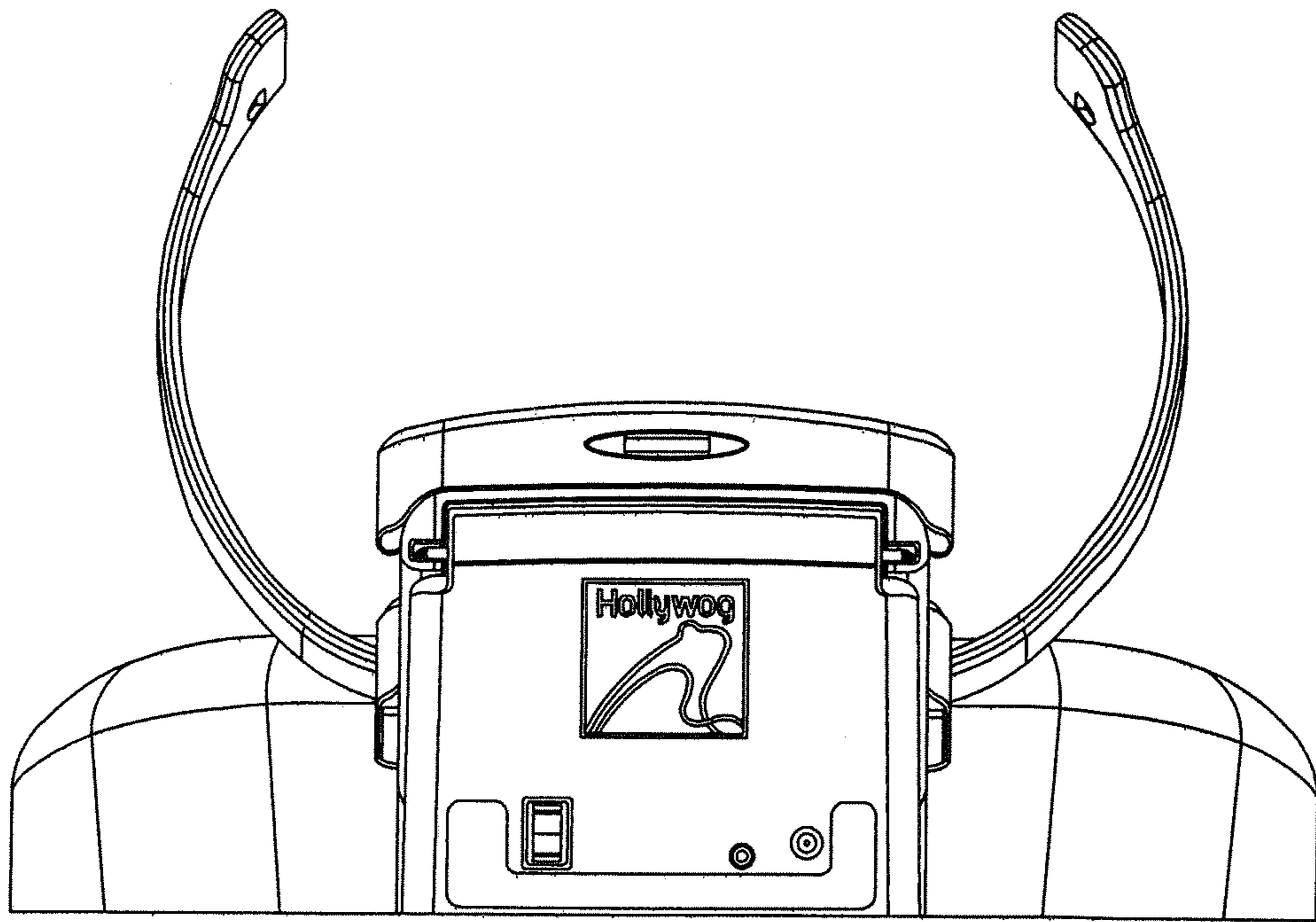




**FIGURE 15**



**FIGURE 16**



**FIGURE 17**

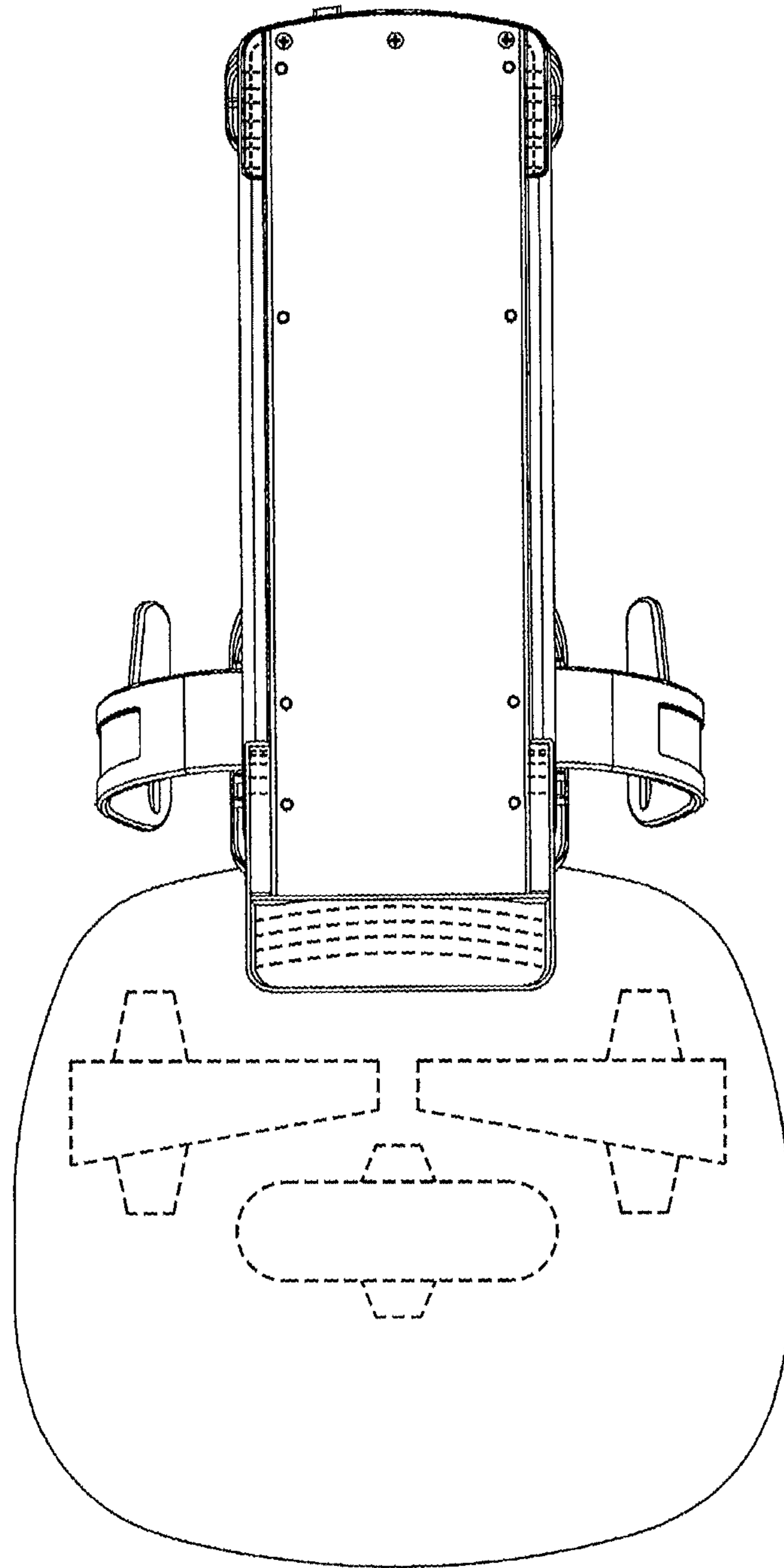


Figure 18